

THIS DRAWING IS UNPUBLISHED. RELEASED FOR PUBLICATION

© COPYRIGHT - TE Connectivity Ltd.

ALL RIGHTS RESERVED.

REVISIONS

P	LTR	DESCRIPTION	DATE	DWN	APVD
	H	REVISED	21JUL2021	Y.O	T.S

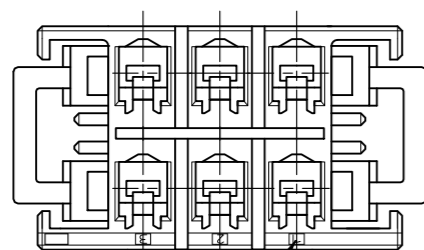
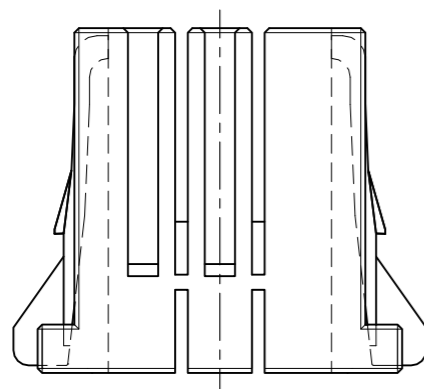
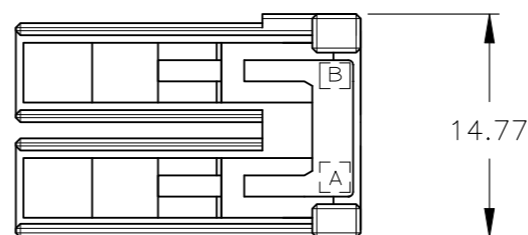
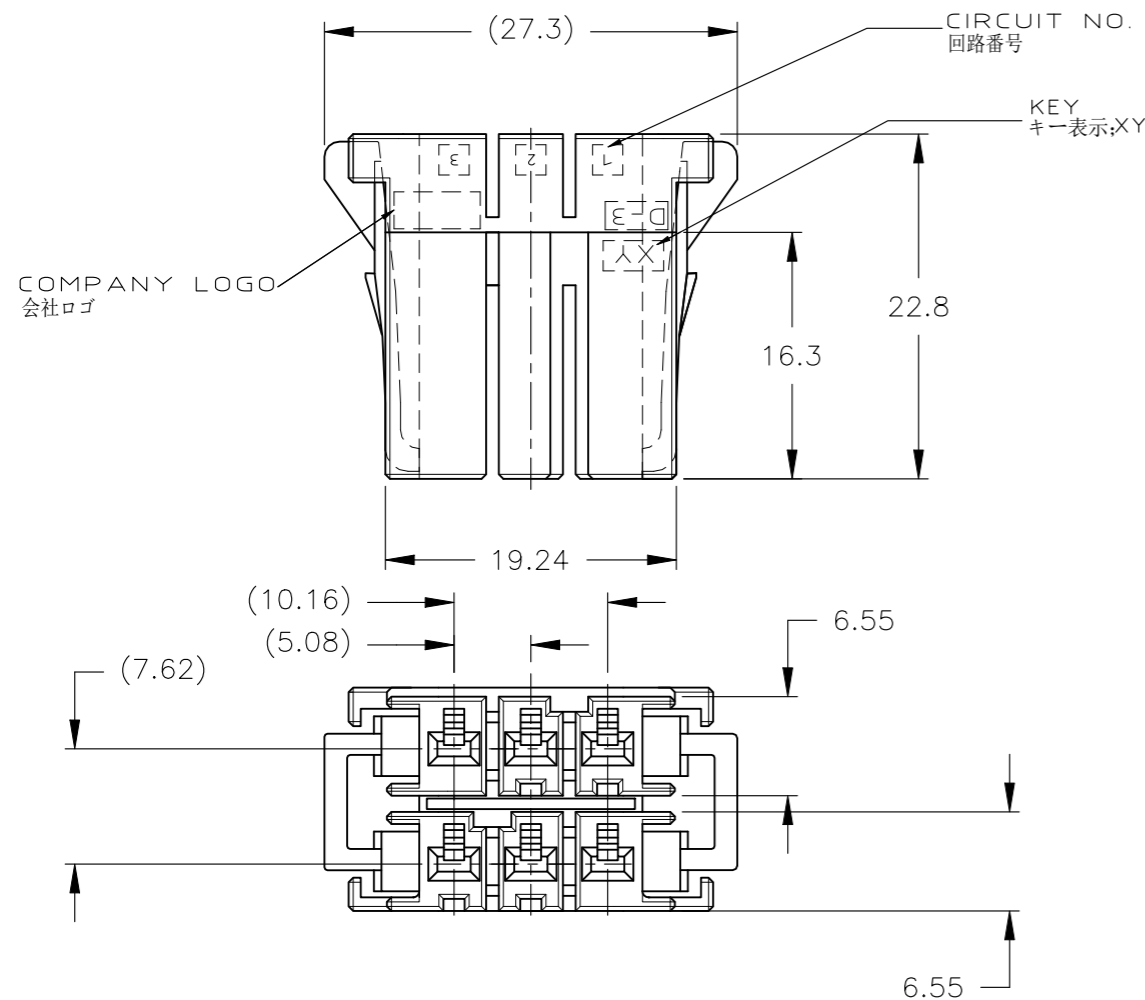
3-178129-6:AS SHOWN
本図

NOTE

1 MATERIAL:GLASS FIELD THERMO PLASTIC,POLYESTER
COLOR;BLACK

注記

1 材料: ガラス入り熱可塑性ポリエステル樹脂
色: 黒色



CIRCUIT NO.
回路番号

-		XY	3-178129-6
-		YY	2-178129-6
-		XX	1-178129-6
FINISH	キーイングパターン KEYING PATTERN	キー KEY	型番 PART NUMBER

THIS DRAWING IS A CONTROLLED DOCUMENT.

DWN 26/DEC/'89
T.YONEBAYASHI

CHK 23/JUL/'90
H.OBATA

APVD 9/OCT/'90
S.MANABE

PRODUCT SPEC
108-5349

APPLICATION SPEC

WEIGHT

CUSTOMER DRAWING

STE TE Connectivity Ltd.

NAME
DYNAMIC D-3200,MODULAR TYPE
6POS. REC HSG

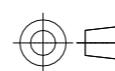
SIZE CAGE CODE DRAWING NO RESTRICTED TO

A3 00779 C-178129

SCALE 1:1 SHEET 1 OF 1 REV H

DIMENSIONS:
mm

TOLERANCES UNLESS OTHERWISE SPECIFIED:
10≥ : ±0.2
30≥ >10: ±0.25
100≥ >30: ±0.3



0-PLC ±
1-PLC ±
2-PLC ±
3-PLC ±
4-PLC ±
ANGLES ± 3°

MATERIAL FINISH

注記参照