

Ordering Information:

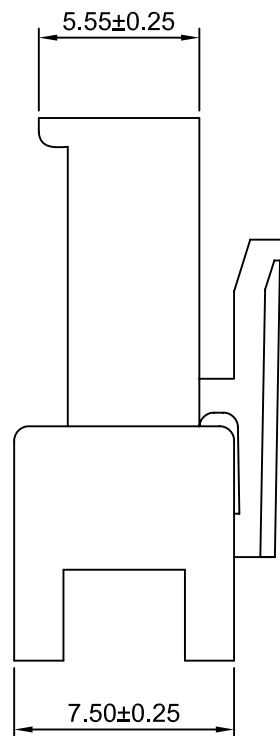
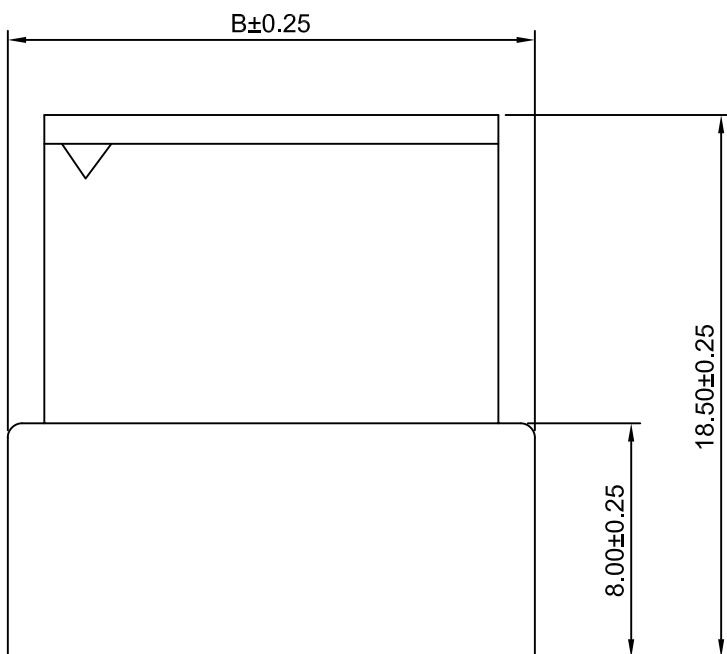
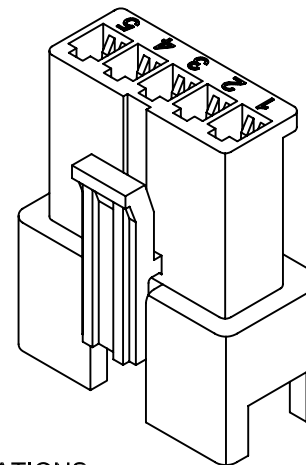
C2521HM-XP - **
 1 2

1.Part No.

2.Color:

(blank):Black

WH:White



SPECIFICATIONS:

Current Rating: 3A AC,DC

Voltage Rating: 250V AC,DC

Temperature Range: -40°C ~ +105°C

Contact Resistance: 10mΩ Max

Insulation Resistance: 500MΩ Min

Withstanding Voltage: 1500V AC/minute

Material: Nylon 66,UL94V-0(Black)

Ordering Information & Dimensions

Circuits	Dimensions(mm)		Circuits	Dimensions(mm)	
	A	B		A	B
2P	2.50	8.00	8P	17.50	23.00
3P	5.00	10.50	9P	20.00	25.50
4P	7.50	13.00	10P	22.50	28.00
5P	10.00	15.50	11P	25.00	30.50
6P	12.50	18.00	12P	27.50	33.00
7P	15.00	20.50			

CJTconn

CHANGJIANG CONNECTORS CO.,LTD.

Unit	Scale	Sheet
mm	4:1	1 of 1

Title :

2.50mm PITCH

Draw BY:	Approved :
LIZQ	GONGYB

HOUSING

General Tolerance

x.xx±0.25	ANGLE±
x.xxx±0.20	
x.xxxx±0.15	

DRAW NO : C2521HM-XP

REV
A0

A0	NEW RELEASE	2013.12.11
REV	DESCRIPTION	DATE