

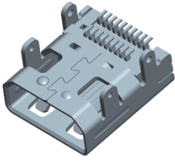
**Operation: Micro-HDMI Connectors/HDMI(D Type) 贴片卧式 HDMI 连接器**



**LTEM NO.: HDMI-219E SMT+D 卧式**  
**(L7.55×W6.50×H2.90mm -MICRO HDMI SMT)**

**High Definition Multimedia Interface**

表面贴装 SMT+DIP



**Technical parameter**

		LEVEL	A[better product]	B[average product]
PROJECT	Contact Rating		0.25A, 12V DC	
Electrical	Initial Contact Resistance		50mΩ max.	
	Insulation Resistance		100MΩ min.500V DC Skey/PD: 100MΩ min.300V DC	
Properties	Withstand Voltage		500V AC for 1 minute	350 V AC for 1 minut
	There No Load		6,000 Cycles	5,000 Cycles
Durable Performance	Rated Load		5,000 Cycles	4,000 Cycles
	Storage temp.		-35℃~+75℃(Operating Temp: )	
	Operating Force		IF:35N MAX. (EF:10.0N MIN.)	
	Heat Rrsistance		IR Reflow:255℃, 5sec. Manual:350℃, 3sec.	

側向操作

精密部品 NICETY

可靠 STABILIZE

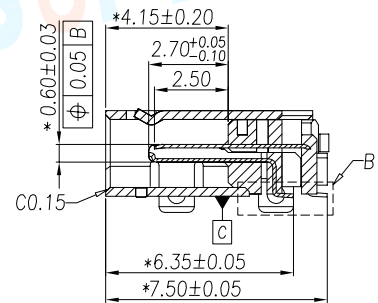
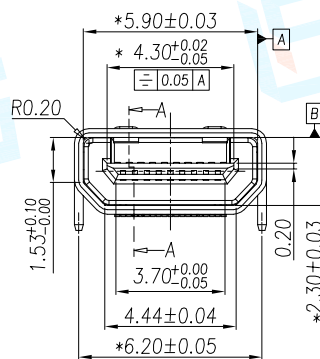
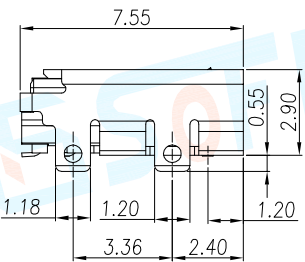
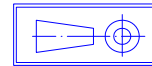
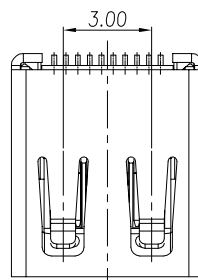
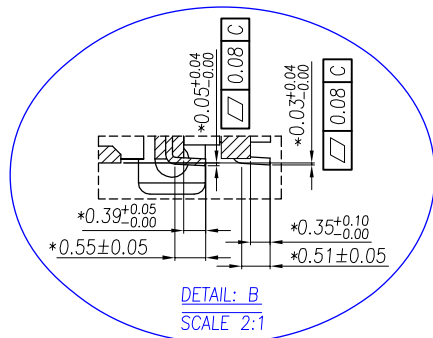
適合環保 RoHS

Material declaration		
No	NAME	Description
①	HOUSING	LCP 耐热塑胶 [Black]
②	SHELL	黄铜 C2680/SPCC [镀镍 100u" min] t=0.30
③	CONTACT3	磷铜 C5191 (镀金 1u" /锡基 50u) t=0.15
④	CONTACT4	磷铜 C5191 (镀金 1u" /锡基 50u) t=0.15

**SIGNAL**

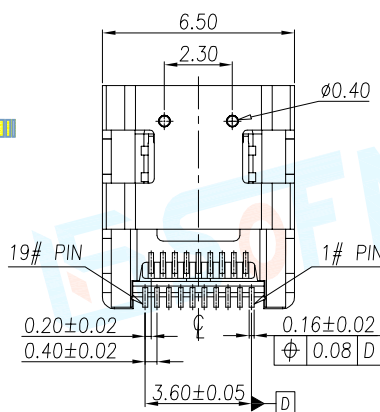
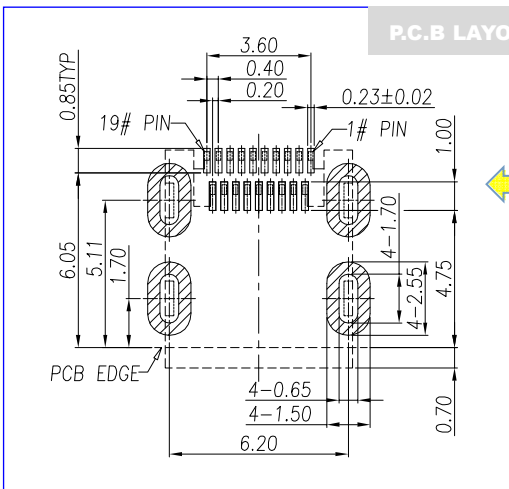
Pin No.	D Type(MICRO HDMI)
1	Hot Plug Detect
2	Utility
3	TMDS Data 2+
4	TMDS Data 2 Shield
5	TMDS Data 2-
6	TMDS Data 1+
7	TMDS Data 1 Shield
8	TMDS Data 1-
9	TMDS Data 0+
10	TMDS Data 0 Shield
11	TMDS Data 0-
12	TMDS Clock+
13	TMDS Clock Shield
14	TMDS Clock-
15	CEC
16	DDC/CEC Ground
17	SCL
18	SDA
19	+5V Power

Unit:mm



SECTION A-A  
SCALE 1:1

**P.C.B LAYOUT**



DECIMALS	ANGLES
.X :±0.25	X.° :±1.5°
.XX :±0.15	X.X° :±1.0°
.XXX :±0.10	.XXX° :±0.5°

