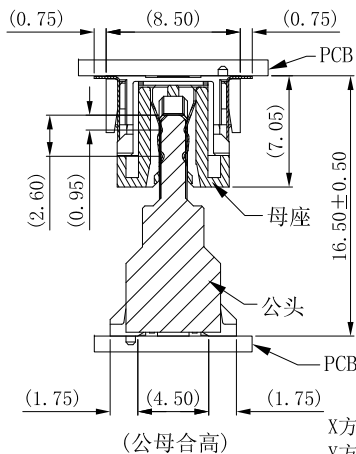
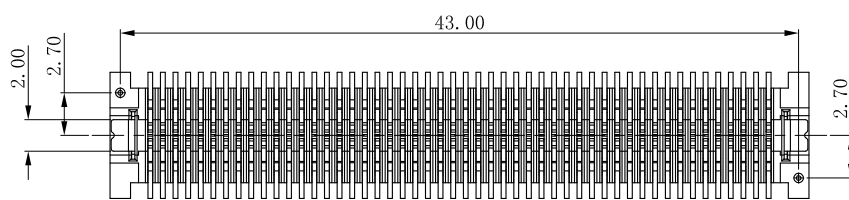
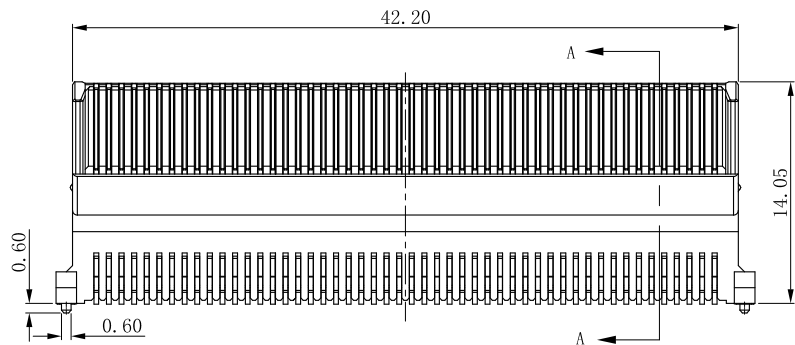
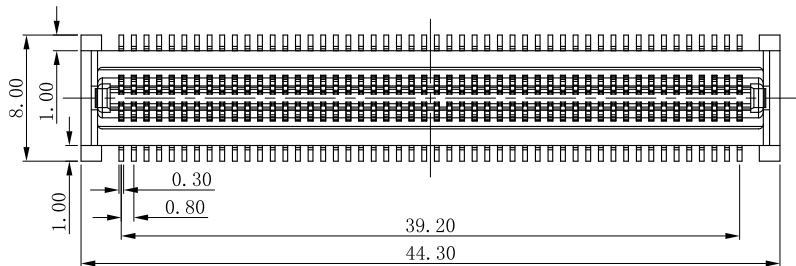
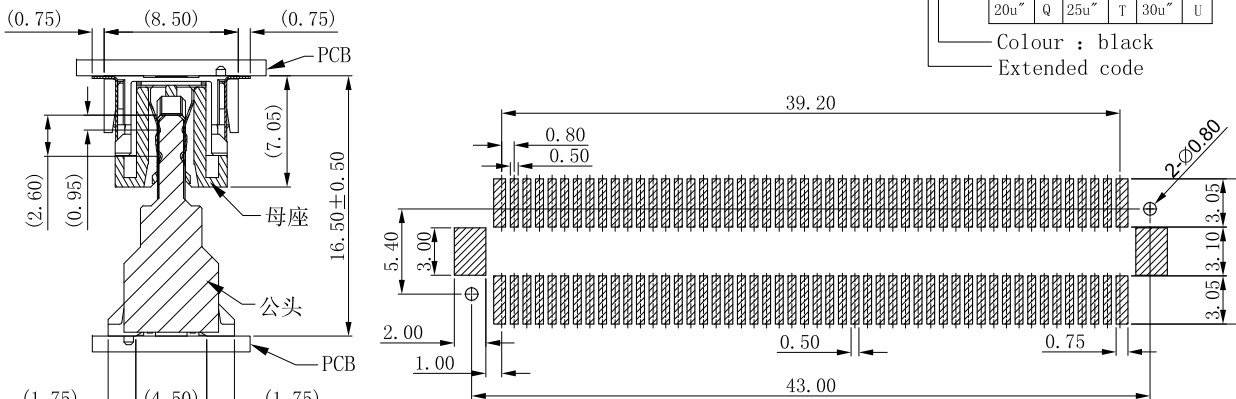
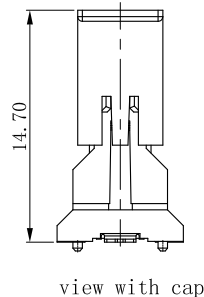


100PIN: BB41-A0XT-1B-XHR



(公母合高)

X方向浮动量: ±0.5
Y方向浮动量: ±0.5
Z方向浮动量: ±0.5



RECOMMENDED PCB LAYOUT
TOLERANCE: ±0.05mm

REV.	ECN Number	Description	Drawn
1	CS18030010	First issue	LGJ_2018.03.05
2	E20010008	Add new specifications	Smark
3	E20100006	图面整合(每个料号单独列出)	FQH_2020.10.12

NOTES:

- HOUSING MATERIAL:HIGH TEMPERATURE PLASTICS
BLACK, UL94V-0.
- CONTACT MATERIAL:COPPER ALLOY.
- RATING VOLTAGE: 50V AC/DC
- CONTACT RESISTANCE: 80 m ohms MAX, INITIAL.
- DIELECTRIC WITHSTANDING VOLTAGE: 500V AC rms./MINUTE.
- INSULATION RESISTANCE: 100 M ohms MIN.
- CURRENT RATING: 0.5 AMPERE.
- DURABILITY: 30 CYCLES MIN.
- INSERTION FORCE: 150g MAX. PER CONTACT.
- WITHDRAW FORCE: 8.5g MIN. PER CONTACT.
- OPERATING TEMPERATURE RANGE: -40° C~+105° C
- STORAGE TEMPERATURE RANGE: -40° C~+105° C
- ALL HARMFUL SUNTANCES SHOULD BE COMPLIANT WITH THE ROHS2.0 REQUIREMENTS.
- PRODUCT NUMBER MATRIX:

Pitch:0.80mm BB41-XXXT-1B-XHR

Male

PIN NO.

Height flow code:

SMT TYPE

packaging: REEL+PAD

Halogen-free high temperature material

Electroplating code

◎Duplex plated					
flash	K	1u"	S	3u"	L
5u"	M	10u"	N	15u"	P
20u"	Q	25u"	T	30u"	U

Colour : black

Extended code



ShenZhen ShenTai weixiang Electronics Co., Ltd.

TOLERANCE UNLESS OTHERWISE SPECIFIED

	±0.30	X. °	±3°
X. X			
X. XX	±0.20	X. X°	±2°
X. XXX		X. XX°	±1°

SCALE	1:1
UNIT	mm
SIZE	A4



ORIGINAL DRAWN:
Qinghua Fu

CHECK:
Guangyu Guo

APPROVE:
Ady Zhou

DATE
2020.10.12

DATE
2020.10.12

DATE
2020.10.12

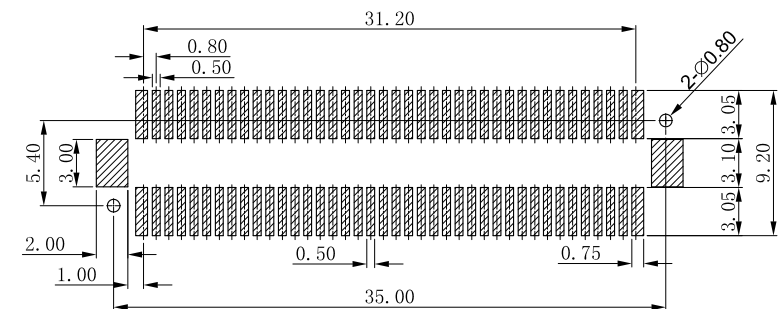
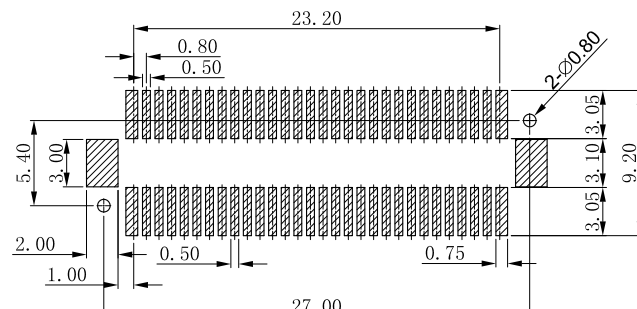
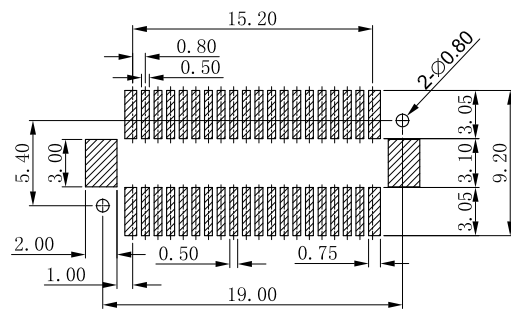
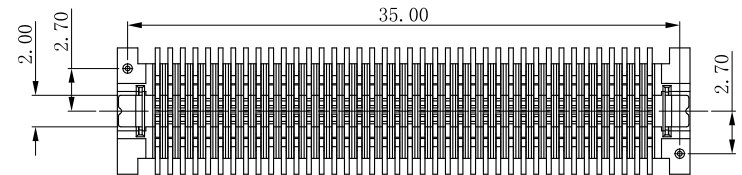
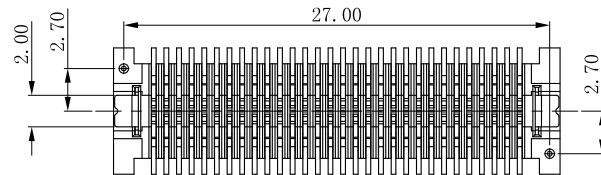
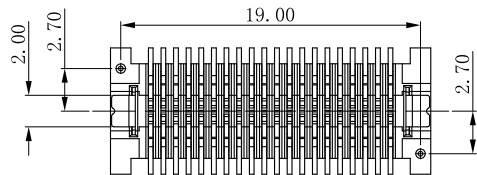
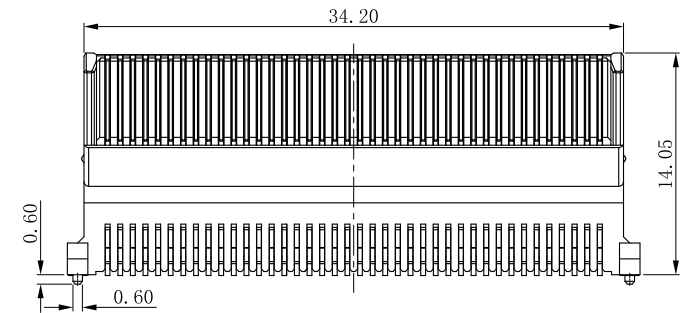
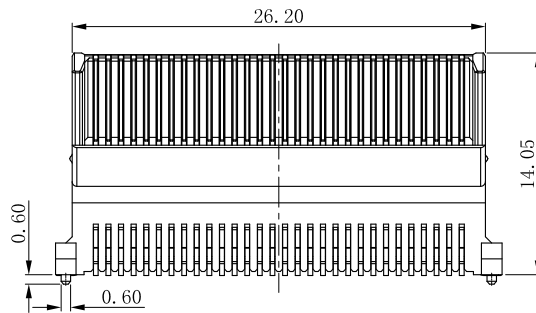
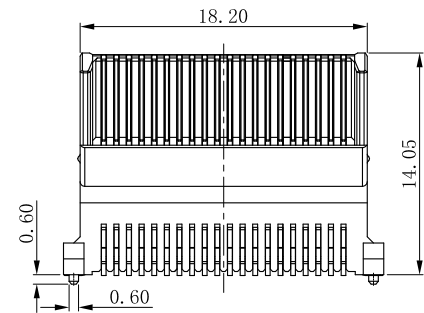
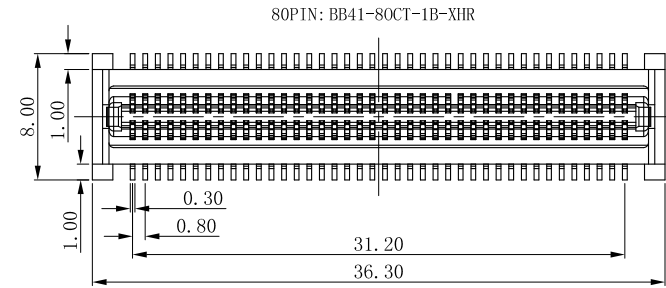
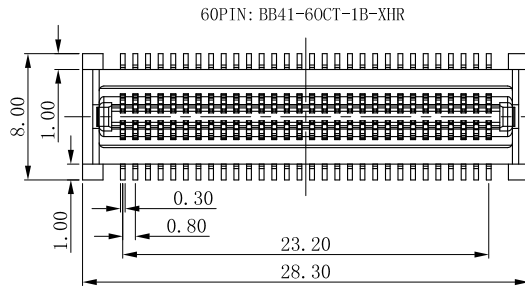
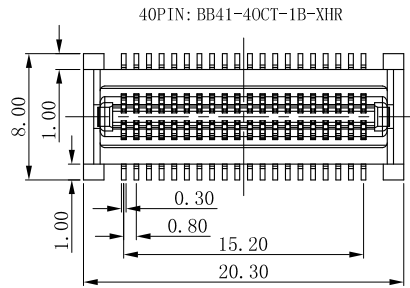
DWG. NO.
600-0000-0227

PARTS NO. (INTENDED USE)
BB41-XXXT-1B-XHR

TITLE
CUSTOMER DRAWING

REV.
3

SHEET
1/6



RECOMMENDED PCB LAYOUT
TOLERANCE: $\pm 0.05\text{mm}$

RECOMMENDED PCB LAYOUT
TOLERANCE: $\pm 0.05\text{mm}$

RECOMMENDED PCB LAYOUT
TOLERANCE: $\pm 0.05\text{mm}$



ShenZhen ShenTai weixiang Electronics Co., Ltd.

TOLERANCE UNLESS OTHERWISE SPECIFIED

X.X	± 0.30	X. °	$\pm 3^\circ$
X.XX	± 0.20	X.X °	$\pm 2^\circ$
X.XXX		X.XX °	$\pm 1^\circ$

SCALE	1:1
UNIT	mm
SIZE	A4



ORIGINAL DRAWN:
Qinghua Fu
CHECK:
Guangyu Guo
APPROVE:
Ady Zhou

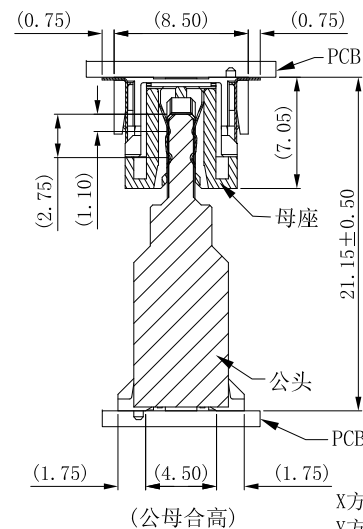
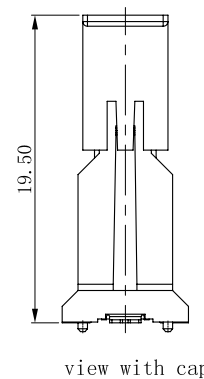
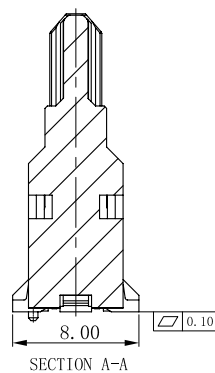
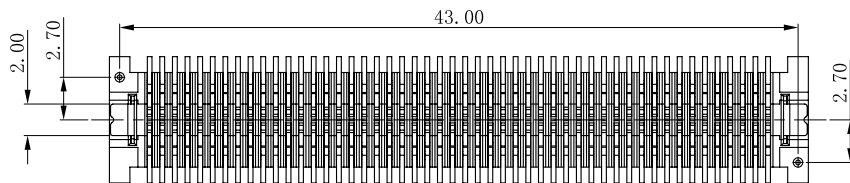
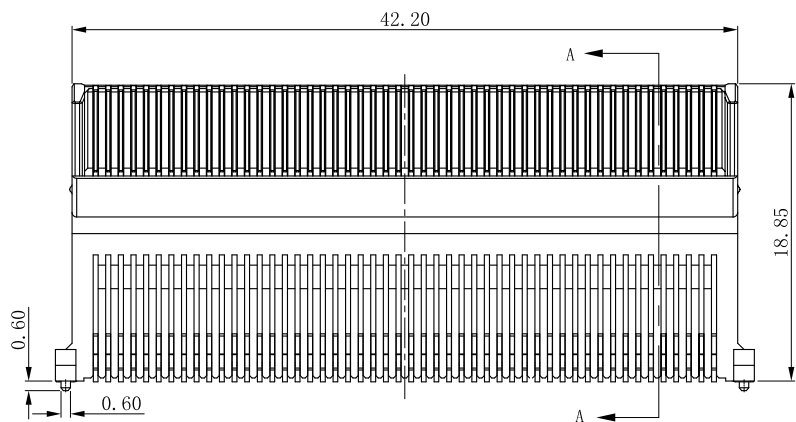
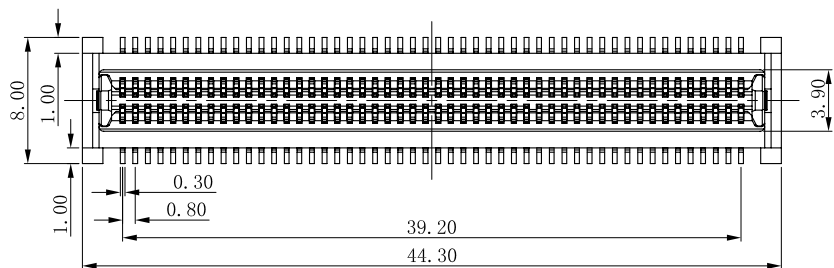
DATE
2020.10.12
DATE
2020.10.12
DATE
2020.10.12

DWG. NO.
600-0000-0227
PARTS NO. (INTENDED USE)
BB41-XXXT-1B-XHR

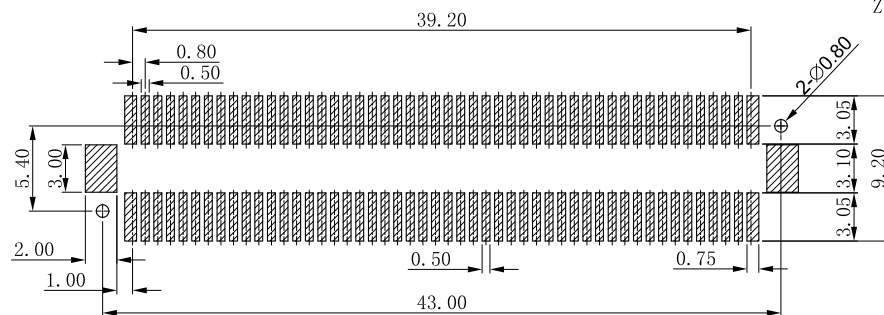
TITLE
CUSTOMER DRAWING

REV.
3
SHEET
2/6

100PIN: BB41-A0BT-1B-XHR



X方向浮动量: ±0.5
Y方向浮动量: ±0.5
Z方向浮动量: ±0.5



RECOMMENDED PCB LAYOUT
TOLERANCE: ±0.05mm



ShenZhen ShenTai weixiang Electronics Co., Ltd.

TOLERANCE UNLESS OTHERWISE SPECIFIED

X.X	±0.30	X.°	±3°
X.XX	±0.20	X.X°	±2°
X.XXX		X.XX°	±1°

SCALE	1:1
UNIT	mm
SIZE	A4



ORIGINAL DRAWN:
Qinghua Fu
CHECK:
Guangyu Guo
APPROVE:
Ady Zhou

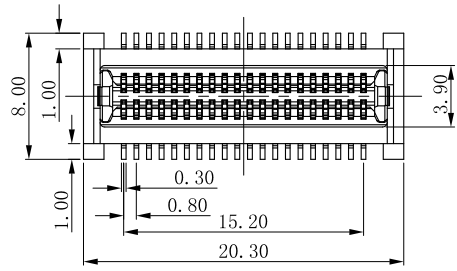
DATE
2020.10.12
DATE
2020.10.12
DATE
2020.10.12

DWG. NO.
600-0000-0227
PARTS NO. (INTENDED USE)
BB41-XXXT-1B-XHR

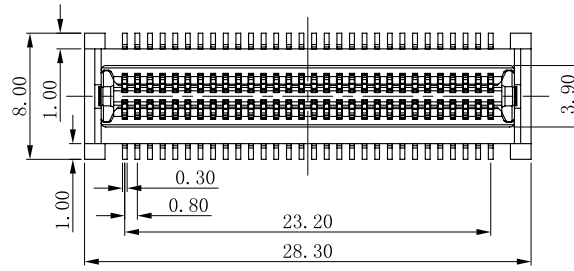
TITLE
CUSTOMER DRAWING

REV.
3
SHEET
3/6

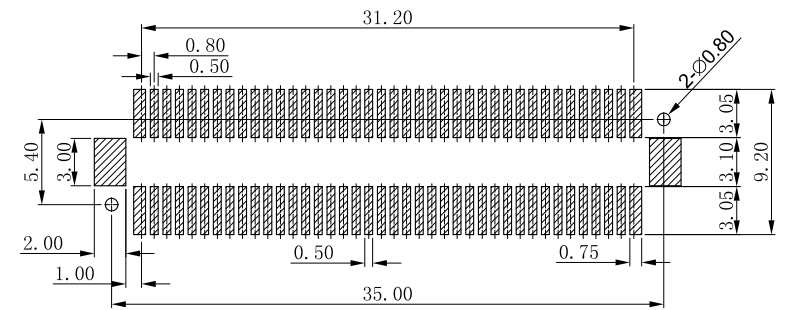
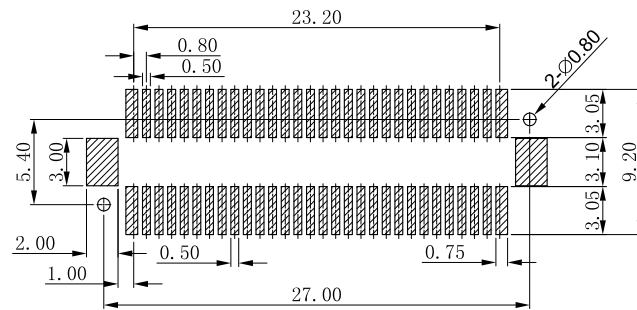
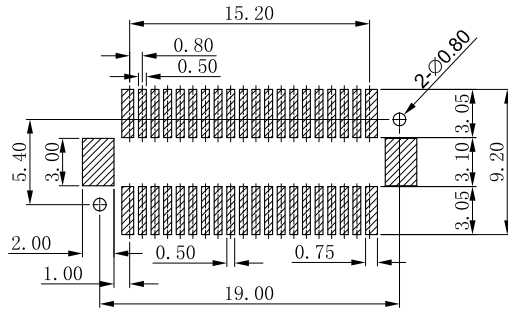
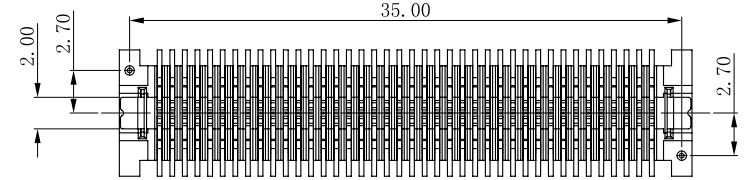
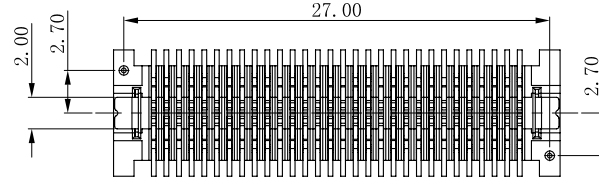
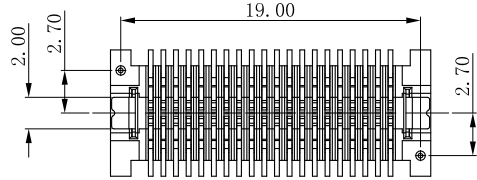
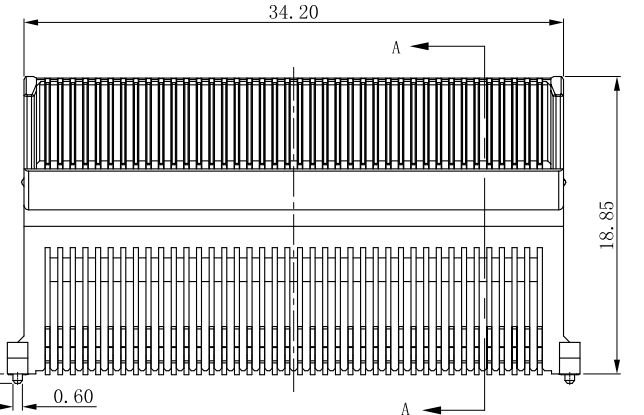
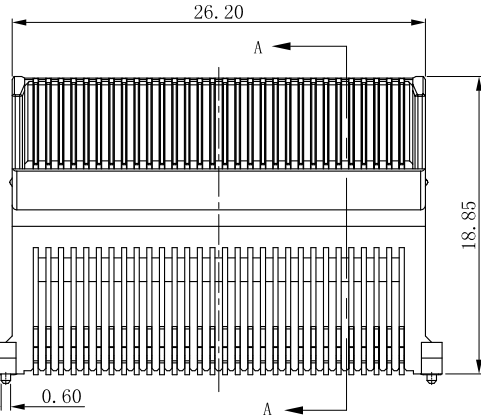
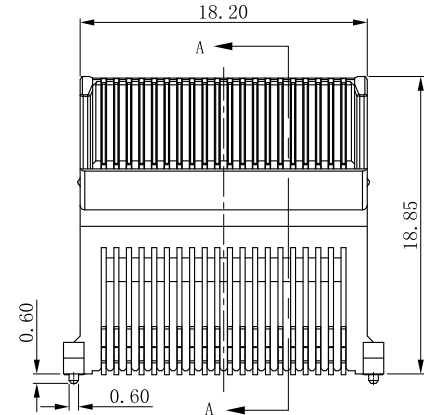
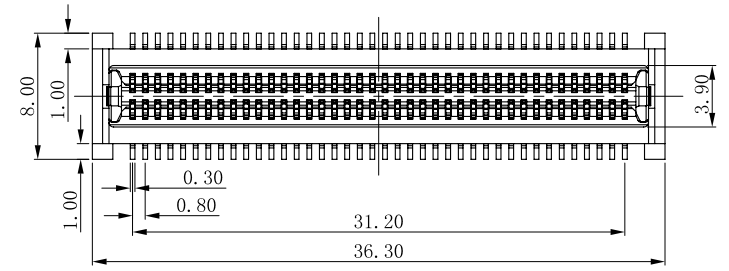
40PIN: BB41-40BT-1B-XHR



60PIN: BB41-60BT-1B-XHR



80PIN: BB41-80BT-1B-XHR



RECOMMENDED PCB LAYOUT

TOLERANCE: ±0.05mm

RECOMMENDED PCB LAYOUT

TOLERANCE: ±0.05mm

RECOMMENDED PCB LAYOUT

TOLERANCE: ±0.05mm



ShenZhen ShenTai weixiang Electronics Co., Ltd.

TOLERANCE UNLESS OTHERWISE SPECIFIED

X.X	±0.30	X.°	±3°
X.XX	±0.20	X.X°	±2°
X.XXX		X.XX°	±1°

SCALE	1:1
UNIT	mm
SIZE	A4



ORIGINAL DRAWN:	Qinghua Fu
CHECK:	Guangyu Guo
APPROVE:	Ady Zhou

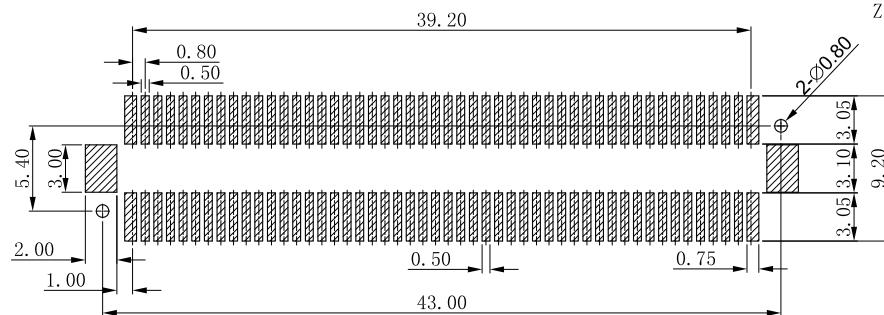
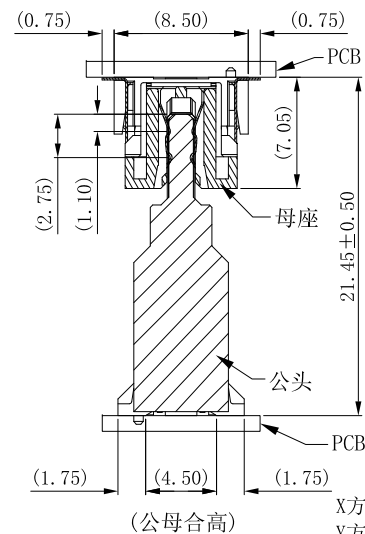
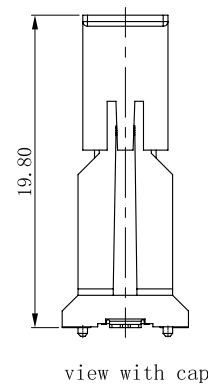
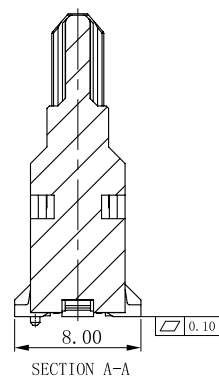
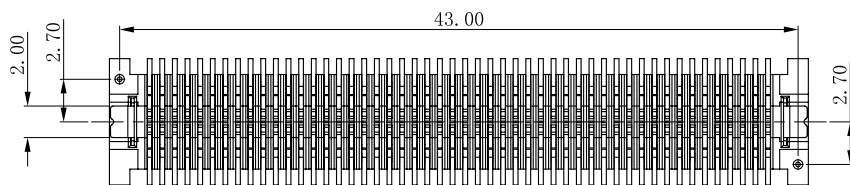
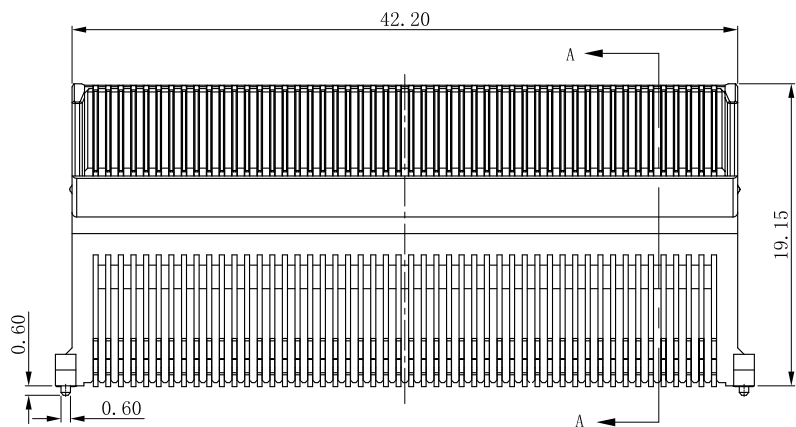
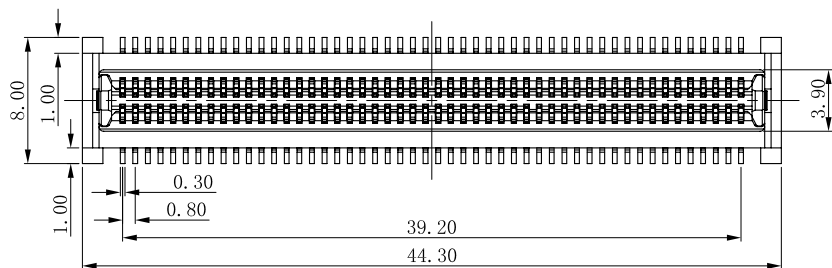
DATE	2020.10.12
DATE	2020.10.12
DATE	2020.10.12

DWG. NO.	600-0000-0227
PARTS NO. (INTENDED USE)	BB41-XXXT-1B-XHR

TITLE	CUSTOMER DRAWING
-------	------------------

REV.	3
SHEET	4/6

100PIN: BB41-A0ET-1B-XHR



RECOMMENDED PCB LAYOUT
TOLERANCE: ±0.05mm



ShenZhen ShenTai weixiang Electronics Co., Ltd.

TOLERANCE UNLESS OTHERWISE SPECIFIED

X.X	±0.30	X.°	±3°
X.XX	±0.20	X.X°	±2°
X.XXX		X.XX°	±1°

SCALE	1:1
UNIT	mm
SIZE	A4



ORIGINAL DRAWN:
Qinghua Fu
CHECK:
Guangyu Guo
APPROVE:
Ady Zhou

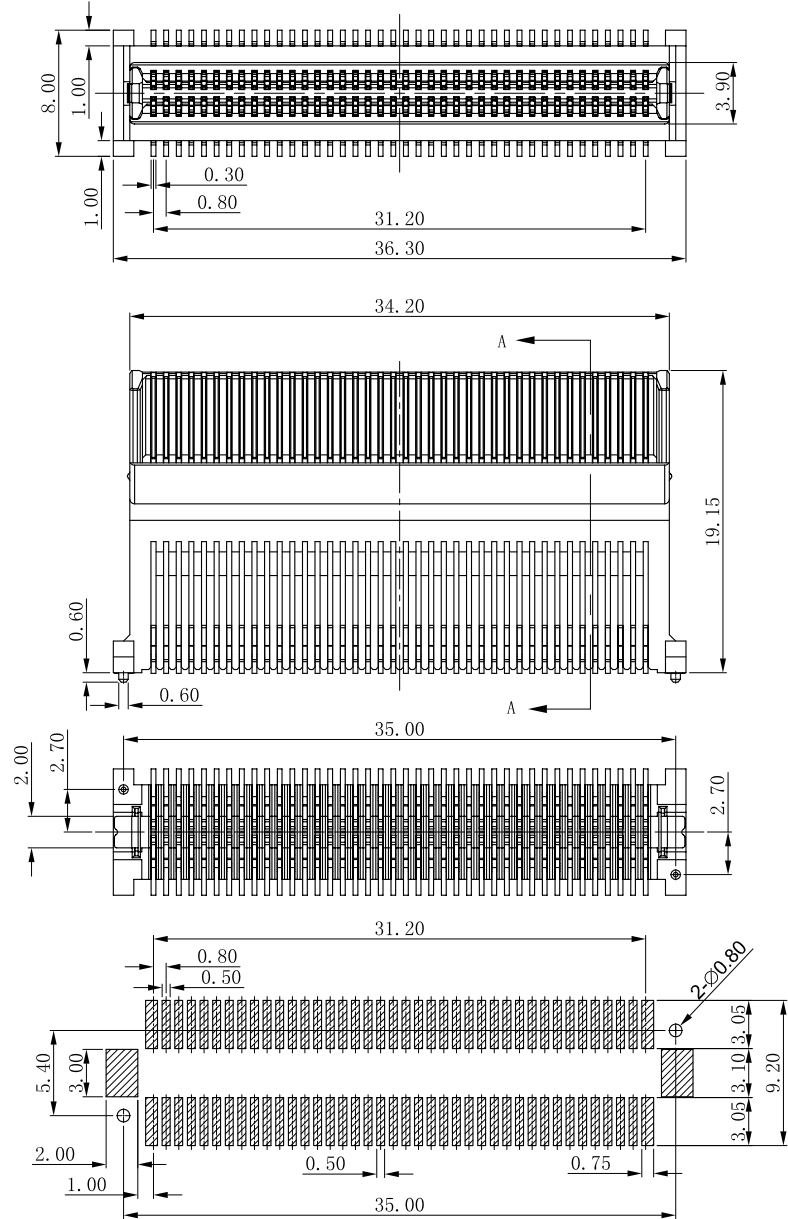
DATE
2020.10.12
DATE
2020.10.12
DATE
2020.10.12

DWG. NO.
600-0000-0227
PARTS NO. (INTENDED USE)
BB41-XXXT-1B-XHR

TITLE
CUSTOMER DRAWING

REV.
3
SHEET
5/6

80PIN: BB41-80DT-1B-XHR



RECOMMENDED PCB LAYOUT

TOLERANCE: $\pm 0.05\text{mm}$



ShenZhen ShenTai weixiang Electronics Co., Ltd.

TOLERANCE UNLESS OTHERWISE SPECIFIED

X. X	± 0.30	X. °	$\pm 3^\circ$
X. XX	± 0.20	X. X°	$\pm 2^\circ$
X. XXX		X. XX°	$\pm 1^\circ$

SCALE	1:1
UNIT	mm
SIZE	A4



ORIGINAL DRAWN:
Qinghua Fu
DATE
2020.10.12
CHECK:
Guangyu Guo
DATE
2020.10.12
APPROVE:
Ady Zhou
DATE
2020.10.12

DATE
2020.10.12
DATE
2020.10.12
DATE
2020.10.12

DWG. NO.
600-0000-0227
PARTS NO. (INTENDED USE)
BB41-XXXT-1B-XHR

TITLE
CUSTOMER DRAWING

REV.
3
SHEET
6/6