



# +3.3V, 2.7Gbps Dual 2 × 2 Crosspoint Switch

**MAX3840**

## General Description

The MAX3840 is a dual 2 × 2 asynchronous crosspoint switch for SDH/SONET DWDM and other high-speed data switching applications where serial data stream loop-through and protection channel switching are required. It is ideal for OC-48 systems with forward error correction. A high-bandwidth, fully differential signal path minimizes jitter accumulation, crosstalk, and signal skew. Each 2 × 2 crosspoint switch can fan out and/or multiplex up to 2.7Gbps data and 2.7GHz clock signals. All inputs and outputs are current mode logic (CML) compatible and easily adaptable to interface with an AC-coupled LVPECL signal. When not used, each CML output stage can be powered down with an enable control to conserve power. The typical power consumption is 460mW with all outputs enabled.

The MAX3840 is compatible with the MAX3876 2.5Gbps clock and data recovery (CDR) circuit.

The MAX3840 is available in a 32-pin exposed-pad QFN package (5mm × 5mm footprint) and operates from a +3.3V supply over a temperature range of -40°C to +85°C.

## Applications

- SDH/SONET and DWDM Transport Systems
- Add-Drop Multiplexers
- ATM Switch Cores
- WDM Cross-Connects
- High-Speed Backplanes

## Features

- ◆ Single +3.3V Supply
- ◆ 460mW Power Consumption
- ◆ 2ps<sub>RMS</sub> Random Jitter
- ◆ 7psp-p Deterministic Jitter
- ◆ Power-Down Feature for Deselected Outputs
- ◆ CML Inputs/Outputs
- ◆ 6ps Channel-to-Channel Skew
- ◆ 100ps Output Edge Speed
- ◆ 5mm × 5mm 32 QFN or Thin QFN Package

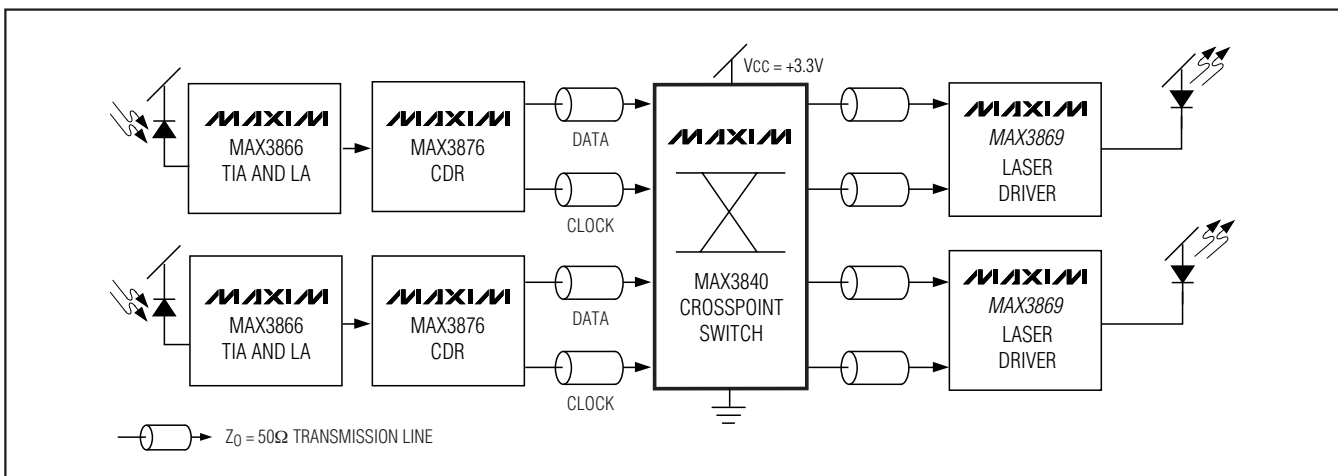
## Ordering Information

PART	TEMP RANGE	PIN-PACKAGE	PKG CODE
MAX3840ETJ+	-40°C to +85°C	32 TQFN	T3255-3
MAX3840EGJ	-40°C to +85°C	32 QFN	G3255-1

+Denotes a lead-free package.

Pin Configurations appear at end of data sheet.

## Typical Application Circuit



# +3.3V, 2.7Gbps Dual 2 × 2 Crosspoint Switch

## ABSOLUTE MAXIMUM RATINGS

Supply Voltage,  $V_{CC}$  .....-0.5V to +5.0V  
 Input Voltage (CML) .....( $V_{CC} - 1.0$ ) to ( $V_{CC} + 0.5$ )V  
 TTL Control Input Voltage.....-0.5V to ( $V_{CC} + 0.5$ )V  
 Output Currents (CML) .....22mA  
 Continuous Power Dissipation ( $T_A = +85^\circ\text{C}$ )  
   32-Pin TQFN  
   32-Pin QFN  
   (derate 21.3mW/ $^\circ\text{C}$  above +85 $^\circ\text{C}$ ).....1.38W

32-Pin QFN  
 (derate 21.3mW/ $^\circ\text{C}$  above +85 $^\circ\text{C}$ ).....1.38W  
 Operating Temperature Range .....-40 $^\circ\text{C}$  to +85 $^\circ\text{C}$   
 Operating Junction Temperature Range.....-55 $^\circ\text{C}$  to +150 $^\circ\text{C}$   
 Storage Temperature Range .....-65 $^\circ\text{C}$  to +160 $^\circ\text{C}$   
 Lead Temperature (soldering, 10s).....+300 $^\circ\text{C}$

Stresses beyond those listed under "Absolute Maximum Ratings" may cause permanent damage to the device. These are stress ratings only, and functional operation of the device at these or any other conditions beyond those indicated in the operational sections of the specifications is not implied. Exposure to absolute maximum rating conditions for extended periods may affect device reliability.

## DC ELECTRICAL CHARACTERISTICS

( $V_{CC} = +3.0\text{V}$  to +3.6V,  $T_A = -40^\circ\text{C}$  to +85 $^\circ\text{C}$ . Typical values are at  $V_{CC} = +3.3\text{V}$ ,  $T_A = +25^\circ\text{C}$ , unless otherwise noted.)

PARAMETER	SYMBOL	CONDITIONS	MIN	TYP	MAX	UNITS
Supply Current	$I_{CC}$	All outputs enabled		140	190	mA
<b>CML INPUT AND OUTPUT SPECIFICATIONS</b>						
CML Differential Output Swing		$R_L = 50\Omega$ to $V_{CC}$ (Figure 2)	640	800	1000	mV <sub>p-p</sub>
Differential Output Impedance			85	100	115	$\Omega$
CML Output Common-Mode Voltage		$R_L = 50\Omega$ to $V_{CC}$		$V_{CC} - 0.2$		V
CML Single-Ended Input Voltage Range	$V_{IS}$		$V_{CC} - 0.8$		$V_{CC} + 0.5$	V
CML Differential Input Voltage Swing			300		2000	mV <sub>p-p</sub>
CML Single-Ended Input Impedance			42.5	50	57.5	$\Omega$
<b>TTL SPECIFICATIONS</b>						
TTL Input High Voltage	$V_{IH}$		2.0			V
TTL Input Low Voltage	$V_{IL}$				0.8	V
TTL Input High Current	$I_{IH}$		-10		+10	$\mu\text{A}$
TTL Input Low Current	$I_{IL}$		-10		+10	$\mu\text{A}$

# +3.3V, 2.7Gbps Dual 2 × 2 Crosspoint Switch

**MAX3840**

## AC ELECTRICAL CHARACTERISTICS

(V<sub>CC</sub> = +3.0V to +3.6V, T<sub>A</sub> = -40°C to +85°C. Typical values are at V<sub>CC</sub> = +3.3V, T<sub>A</sub> = +25°C, unless otherwise noted.) (Note 1)

PARAMETER	SYMBOL	CONDITIONS	MIN	TYP	MAX	UNITS
CML Input and Output Data Rate				2.7		Gbps
CML Input and Output Clock Rate				2.7		GHz
CML Output Rise and Fall Time	t <sub>r</sub> , t <sub>f</sub>	20% to 80%		100	136	ps
CML Output Random Jitter	RJ	(Note 2)		2		psRMS
CML Output Deterministic Jitter	DJ	(Note 3)		7	20	ps <sub>P-P</sub>
CML Output Differential Skew	t <sub>skew1</sub>	Any differential pair		7	25	ps
CML Output Channel-to-Channel Skew	t <sub>skew2</sub>	Any two outputs		15	40	ps
Propagation Delay from Input-to-Output	t <sub>d</sub>			185		ps
CML Differential Output Swing for 2.7Gbps Input Data		R <sub>L</sub> = 50Ω to V <sub>CC</sub> (Note 4)	600			mV <sub>P-P</sub>
CML Differential Output Swing for 2.7GHz Input Clock		R <sub>L</sub> = 50Ω to V <sub>CC</sub> (Note 5)	520			mV <sub>P-P</sub>

**Note 1:** AC characteristics are guaranteed by design and characterization.

**Note 2:** Measured with 100mV<sub>P-P</sub> noise (f ≤ 2MHz) on the power supply.

**Note 3:** Deterministic jitter (DJ) is the arithmetic sum of pattern-dependent jitter and pulse-width distortion.

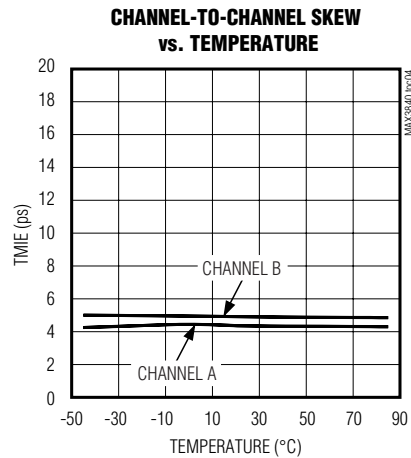
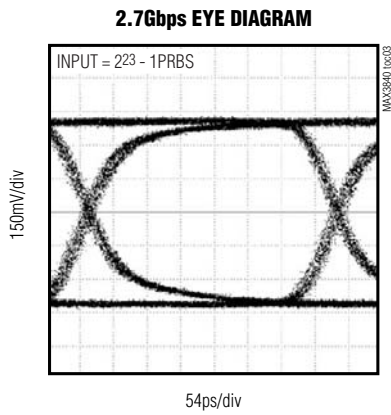
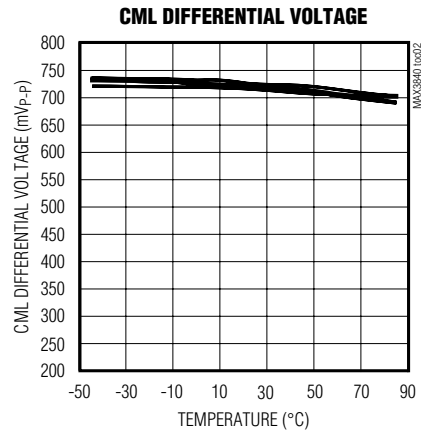
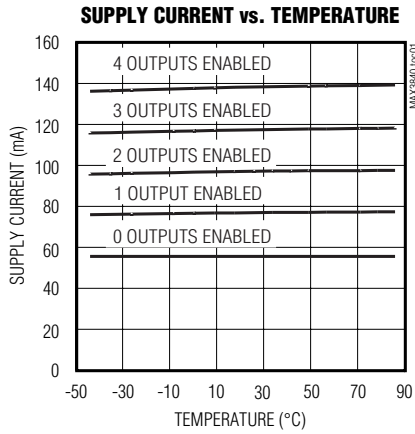
**Note 4:** Measured with 300mV<sub>P-P</sub> differential 1010... data pattern driving the inputs.

**Note 5:** Measured with 300mV<sub>P-P</sub> differential clock at 2.7GHz driving the inputs.

# +3.3V, 2.7Gbps Dual 2 × 2 Crosspoint Switch

## Typical Operating Characteristics

(V<sub>CC</sub> = +3.3V, T<sub>A</sub> = +25°C, unless otherwise noted.)



# +3.3V, 2.7Gbps Dual 2 × 2 Crosspoint Switch

## Pin Description

**MAX3840**

PIN	NAME	FUNCTION
1	ENB1	Channel B1 Output Enable, TTL Input. A TTL low input powers down B1 output stage.
2	DIB1+	Channel B1 Positive Signal Input, CML
3	DIB1-	Channel B1 Negative Signal Input, CML
4	ENB0	Channel B0 Output Enable, TTL Input. A TTL low input powers down B0 output stage.
5	SELB0	Channel B0 Output Select, TTL Input. See Table 1.
6	DIB0+	Channel B0 Positive Signal Input, CML
7	DIB0-	Channel B0 Negative Signal Input, CML
8	SELB1	Channel B1 Output Select, TTL Input. See Table 1.
9, 24	GND	Supply Ground
10, 13, 16, 17, 20, 23	V <sub>CC</sub>	Positive Supply
11	DOB0-	Channel B0 Negative Output, CML
12	DOB0+	Channel B0 Positive Output, CML
14	DOB1-	Channel B1 Negative Output, CML
15	DOB1+	Channel B1 Positive Output, CML
18	DOA1-	Channel A1 Negative Output, CML
19	DOA1+	Channel A1 Positive Output, CML
21	DOA0-	Channel A0 Negative Output, CML
22	DOA0+	Channel A0 Positive Output, CML
25	SELA1	Channel A1 Output Select, TTL Input. See Table 1.
26	DIA0+	Channel A0 Positive Signal Input, CML
27	DIA0-	Channel A0 Negative Signal Input, CML
28	SELA0	Channel A0 Output Select, TTL Input. See Table 1.
29	ENA0	Channel A0 Output Enable, TTL Input. A TTL low input powers down A0 output stage.
30	DIA1+	Channel A1 Positive Signal Input, CML
31	DIA1-	Channel A1 Negative Signal Input, CML
32	ENA1	Channel A1 Output Enable, TTL Input. A TTL low input powers down A1 output stage.
EP	Exposed Pad	Ground. The exposed pad must be soldered to the circuit board ground for proper electrical and thermal operation.

# +3.3V, 2.7Gbps Dual 2 × 2 Crosspoint Switch

**Table 1. Output Routing**

ROUTING CONTROLS		OUTPUT CONTROLS		OUTPUT SIGNALS	
SELA0/SELB0	SELA1/SELB1	ENA0/ENA1	ENB0/ENB1	Signal at DOA0/DOB0	Signal at DOA1/DOB1
0	0	1	1	DIA0/DIB0	DIA0/DIB0
0	1	1	1	DIA0/DIB0	DIA1/DIB1
1	0	1	1	DIA1/DIB1	DIA0/DIB0
1	1	1	1	DIA1/DIB1	DIA1/DIB1
X	X	0	0	Power Down	Power Down

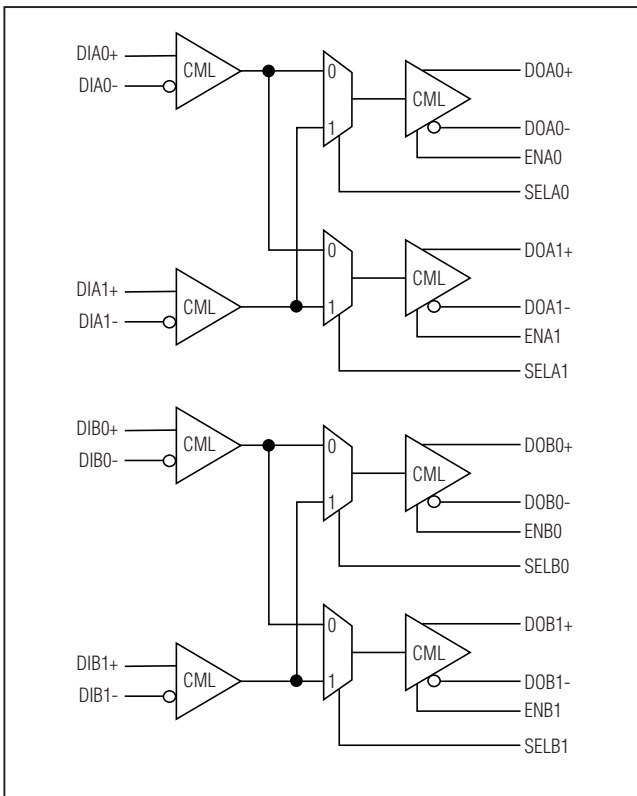


Figure 1. Functional Block Diagram

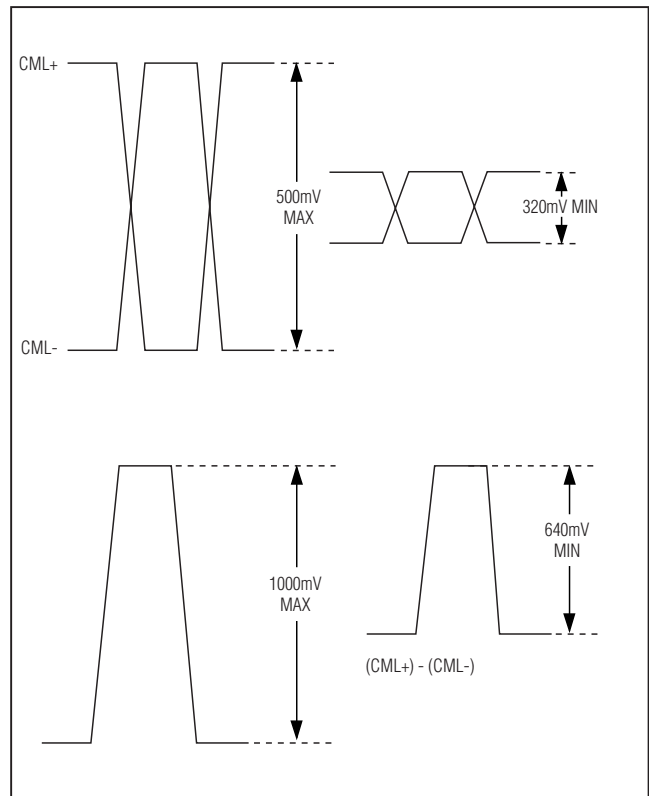


Figure 2. CML Output Levels

## Detailed Description

The block diagram in Figure 1 shows the MAX3840 architecture. The SELA<sub>n</sub> and SELB<sub>n</sub> pins control the routing of the signals through the crosspoint switch. Each output of the crosspoint switch drives a CML output driver. Each of the outputs, DOA<sub>n</sub> and DOB<sub>n</sub>, is enabled or disabled by the respective ENA<sub>n</sub> and ENB<sub>n</sub> pins.

## CML Inputs and Outputs

CML is used to simplify high-speed interfacing. On-chip input and output terminations minimize the number of external components required while improving signal integrity. The CML output signal swing is small, resulting in lower power consumption. The internal 50Ω input and output terminations minimize reflections and eliminate the need for external terminations.

# +3.3V, 2.7Gbps Dual 2 × 2 Crosspoint Switch

**MAX3840**

## Applications Information

### Interfacing PECL Inputs and Outputs to the MAX3840

For information on interfacing with CML, refer to Maxim Application Note HFAN-01.0, *Introduction to LVDS, PECL, and CML*.

## Layout Techniques

For best performance, use good high-frequency layout techniques, filter VCC supplies, and keep ground connections short. Use multiple vias where possible. Also, use controlled-impedance transmission lines to interface with the MAX3840 data inputs and outputs.

## Interface Models

Figure 3 shows the interface model for the CML inputs, and Figure 4 shows the model for CML outputs.

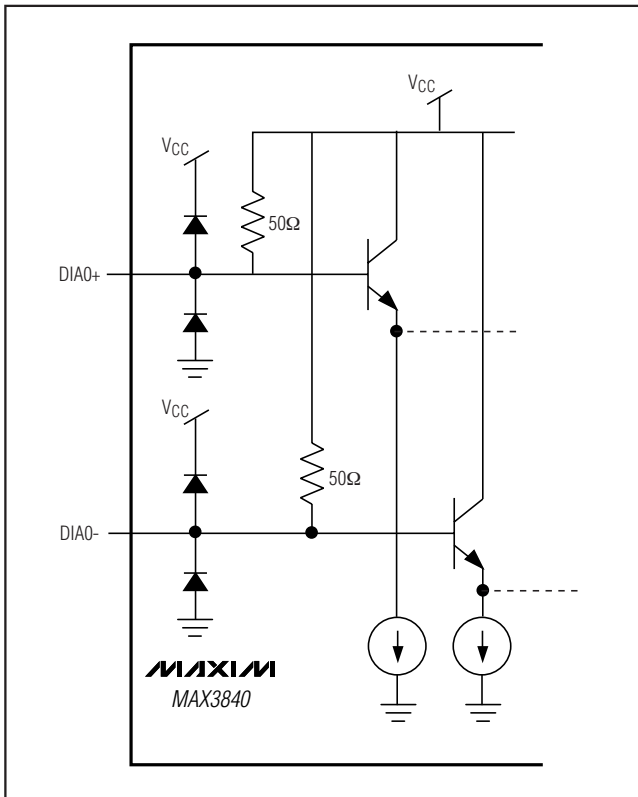


Figure 3. CML Input Model

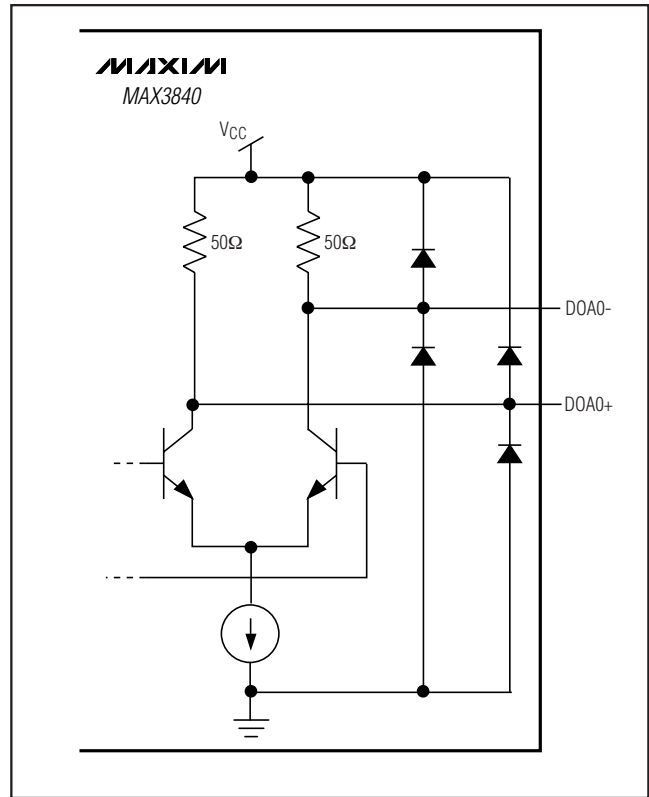
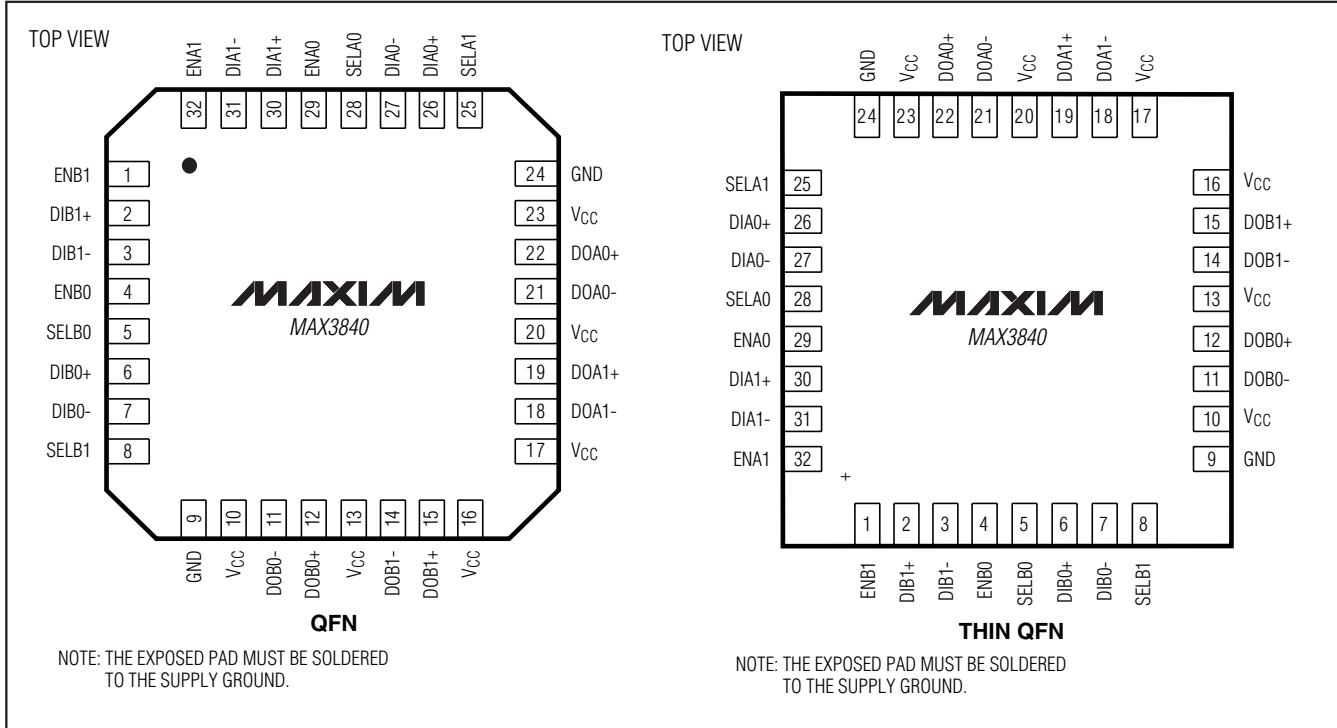


Figure 4. CML Output Model

# +3.3V, 2.7Gbps Dual 2 × 2 Crosspoint Switch

## Pin Configurations



### Chip Information

TRANSISTOR COUNT: 1200  
 PROCESS: Bipolar (SiGe)

### Package Information

For the latest package outline information, go to [www.maxim-ic.com/packages](http://www.maxim-ic.com/packages).

PACKAGE TYPE	DOCUMENT NO.
32 QFN	<a href="#">21-0091</a>
32 TQFN	<a href="#">21-0140</a>

### Revision History

- Rev 1; 11/01: Corrected specification.
- Rev 2; 5/03: Added package code (page 1); updated package drawing (page 10).
- Rev 3; 5/05: Added lead-free package (pages 1, 2, 8, 11, 12).
- Rev 4; 12/05: Changed input voltage swing from 1.5V<sub>P-P</sub> (max) to 2.0V<sub>P-P</sub> (max).
- Rev 5; 9/07: Added two AC amplitude specifications to increase test coverage for 2.5Gbps and 2.7GHz clock inputs (page 3); removed package drawings and added package table (page 8).

Maxim cannot assume responsibility for use of any circuitry other than circuitry entirely embodied in a Maxim product. No circuit patent licenses are implied. Maxim reserves the right to change the circuitry and specifications without notice at any time.

8 Maxim Integrated Products, 120 San Gabriel Drive, Sunnyvale, CA 94086 408-737-7600