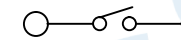
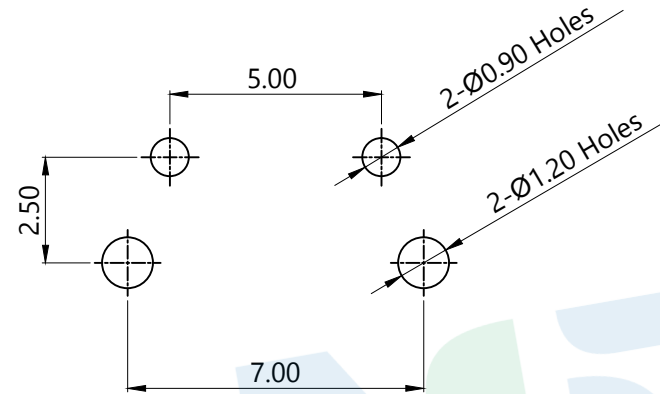
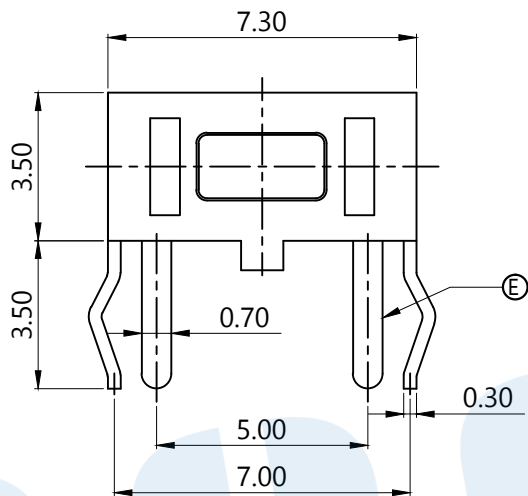


RoHS



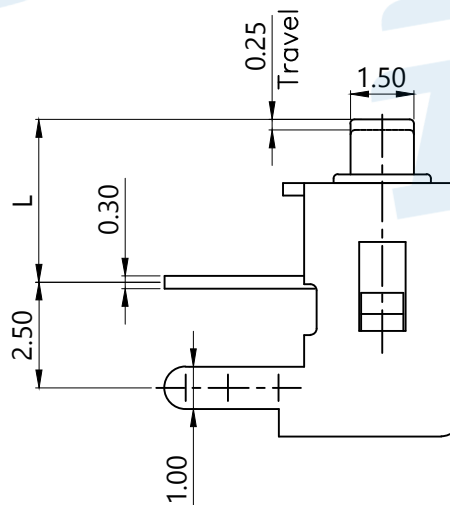
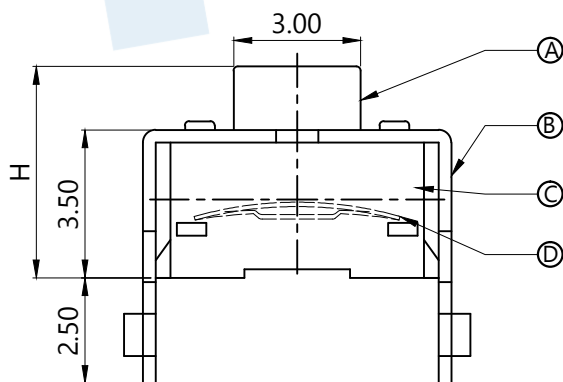
Circuit Diagram

PCB Layout(Pattern side)

OPERATING FORCE	
CODE	VIGOR
B2	180±30gf
B3	250±30gf

SHRAPNEL	
CODE	MATERIAL/QTY
D2	SUS/1PCS
D4	SUS/2PCS

TOTAL HEIGHT		
CODE	H	L
A1	4.3	3.15
A2	5.0	3.85
A3	7.0	5.85



NO.	Name	Number	Qty	Materil	Remarks
⑤	Terminal		2	Brass	Silvering
④	Contact		1	SUS	Silver covered
③	Base		1	PPA	White
②	Cover		1	Brass	Nickel Plating
①	Knob		1	PPA	Black

**YUANDI®** Yuandi Electronics Co, Ltd

design	date	name	TACT SWITCHS
Review	date	name	TS-1096-A□B□-D□
Approved	date	name	

Drawing number:  Proportion: 1:1 unit: mm gage number:  A4

modify Review Approved Tolerance not specified

Proportion 1:1 unit mm gage number

A4