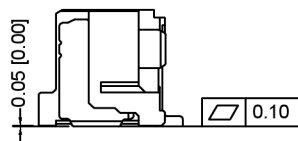
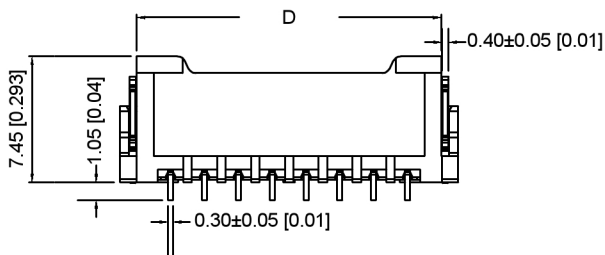
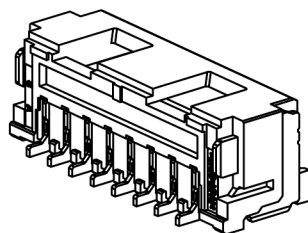
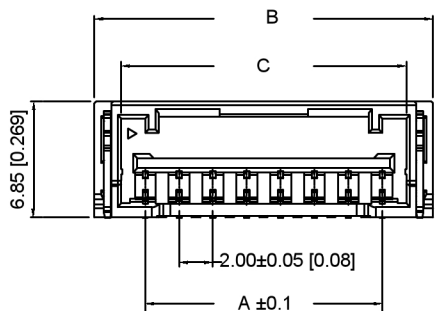


Recom mended P.C.B LAYOUT
General Tolerance±0.05



Specifications:

规格: XKB
Voltage rating: 250V AC/DC
额定电压: 250V AC/DC
Current rating: 3A AC/DC
额定电流: 3A AC/DC
Withstanding voltage: 800V AC/minute
耐受电压: 800V AC/分钟
Temperature range: -40°C-+105°C
温度范围: -40°C-+105°C
Insulation resistance: ≥1000MΩ
绝缘电阻: ≥1000MΩ
Contact resistance: ≤20mΩ
接触电阻: ≤20mΩ XKB
After environmental testing: ≤40mΩ
环境测试后: ≤40兆欧

X2023 W R S-XX -9T SW
① ② ③ ④ ⑤ ⑥ ⑦ ⑧

- ① Series No.
- ② Category: W-WAFER
- ③ Welding Board Angle: R-90°
- ④ Welding Way: S-SMT
- ⑤ Row No. Pin No.: XX-02P-15P;
- ⑥ Plug the Pin&Special No.: L-With Lock
- ⑦ Material: 9T -PA9T 94V-0
- ⑧ Plating Category: SW-Matte Tin

Poles	Dimension mm				Poles	Dimension mm			
	A	B	C	D		A	B	C	D
2	2.00	8.00	4.85	6.00	09	16.00	22.00	18.85	20.00
3	4.00	10.00	6.85	8.00	10	18.00	24.00	20.85	22.00
4	6.00	12.00	8.85	10.00	11	20.00	26.00	22.85	24.00
5	8.00	14.00	10.85	12.00	12	22.00	28.00	24.85	26.00
6	10.00	16.00	12.85	14.00	13	24.00	30.00	26.85	28.00
7	12.00	18.00	14.85	16.00	14	26.00	32.00	28.85	30.00
8	14.00	20.00	16.85	18.00	15	28.00	34.50	30.85	32.00

X2023WRS-XX -9TWSW	PA9T UL 94V-0	Brass	Matte Tin	Phorphos Bronze	Matte Tin	X2023H
PART NO	Material	Material(Pin)	Finish(Pin)	Material (Solder Tabs)	Finish (Soder Tabs)	Mates With XKB Housing

广东星坤科技股份有限公司

生效 日期

文件工程章

MARK	DESCRIPTION	DATE	REVISED	APPROVED	UNSPECIFIED TOLERANCES	DSND	DATE	SCALE: N/A	MODEL TYPE: X2023WRS-XX-9TSW		
				XKB		ANGLAR	±5°	DWN	DATE	VIEW:	PART NO.:
						L ≤ 4	±0.2	CHKD	DATE	UNIT: mm/in	2.0 mm Crimp Style Connectors
						4 < L ≤ 16	±0.3	APPD	DATE	SIZE: A4	DWG NO.:
						XKB INDUSTRIAL PRECISION CO., LIMITED			WEIGHT	SHEET	REVISION
									1/1	A0	