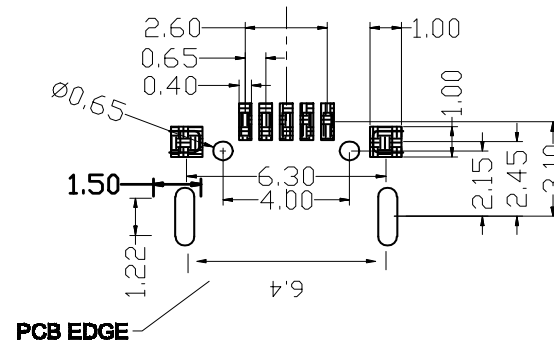
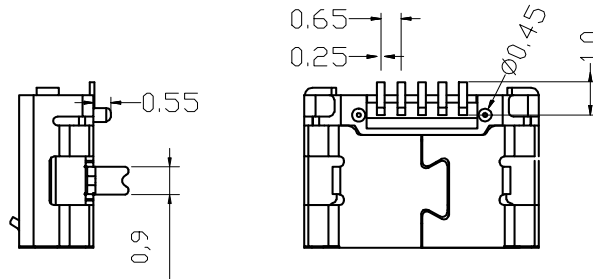
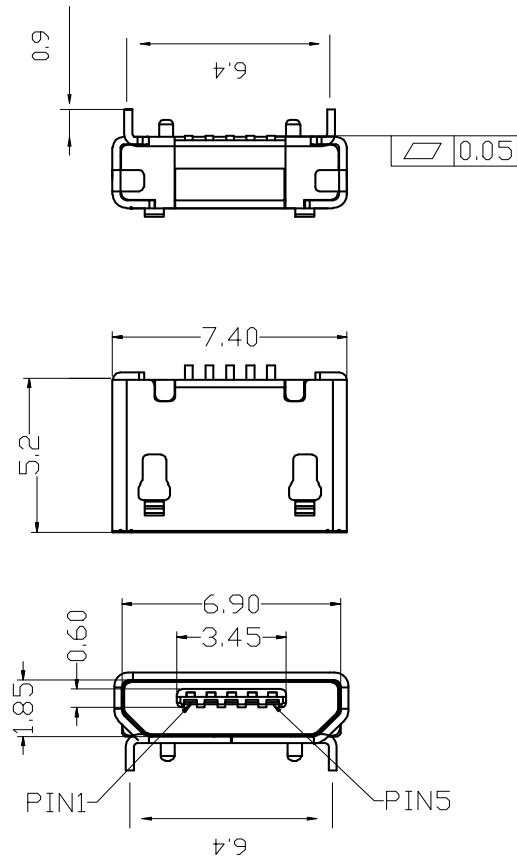


# Kinghelm®

REV.	DESCRIPTION	DRAWN/DATE	APPROVED/DATE



RECOMMENDED PCB LAYOUT  
TOLERANCE: ±0.05

## NOTES:

- MATERIAL:
  - HOUSING:THERMOPLASTIC FLAMMABILITY RATING UL94-0
  - CONTACT:COPPERY ALLOY T=0.15MM
  - SHELL: COPPERY ALLOY T=0.25MM
- FINISH:
  - CONTACT:
    - 3U"MIN,PLATED ON CONTACT AREA
    - G/F PLATING ON SOLDER TAIL AREA
    - 50~80U" NICKEL UNDERPLATING OVERALL
  - SHELL:
    - 80~120U" MATTER TIN PLAINING ALL
    - 50~80U" NICKEL UNDERPLATING OVERALL
- SPECIFICATION:
  - CURRENT RATING:0.5A(2.3.4CONTACT)/1.8A (1.5CONTACT)MAX.
  - VOLTAGE:30 VAC
  - TEMPERATURE RANGE:-30°C~85°C
  - CONTACT RESISTANCE:30 MILLIONHM MAX.
  - DIELECTRIC WITHSTANDING VOLTAGE;250VAC R.M.S
  - INSULATION RESISTNACE:100 MEGOHMS MIN

GENERAL TOLERANCE	ANGLE TOLERANCE	DESIGN ZQL	DATE	深圳市金航标电子有限公司	WWW.BDS666.COM
X. ±0.35	X' ±2.0'	CHECK ZQL	DATE	KH-MICRO6.4ZH-5P	0755-83044319
.X ±0.25	.X' ±1.0'	APPRO.	DATE	FILE NAME(???)	MICRO USB 5PIN TYPE DIP SMT
.XX ±0.15	.XX' ±0.5'	UNIT:mm	SCALE 1:1	PART NO(???)	
.XXX ±0.10		A4	SHEET: 1 of 1	DRAWING NO(???)	REV. A0