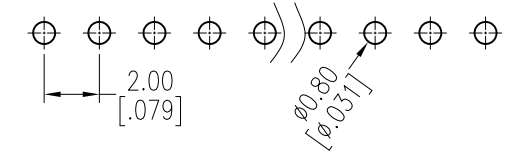
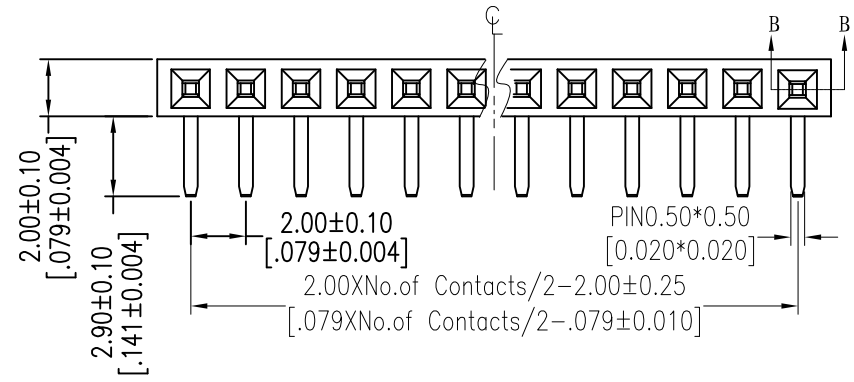


REV.	ECN. NO.	APPD.
A		

NOTES:
 Current Rating: 2.0AMP
 Withstand Voltage: 500V AC/DC
 Contact Resistance: 20mΩ Max
 Insulation Resistance: 1000MΩMin
 Operation Temperature: -40°C to +105°C

Contact Material: Phosphor Bronze
 Contact plating: Au or Sn over Ni
 Insulator Material: PA6T+30%G.F UL94V-0

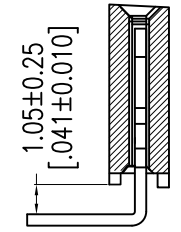
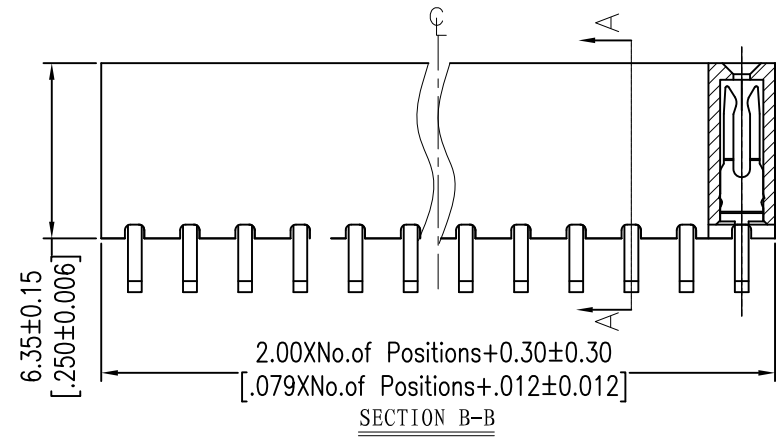
Recommended P.C.B Layout (Top Side)
 (PCB BOARD TOLERANCE ±0.05)



Ordering Information

MTF263-1XXRY1

No. of Pins per ROW: 02-40PIN



X. ± 0.30	X.° ± 5°	UNITS mm	NAME (INTENDED USE)	MINTRON CO.,LTD.						
.X ± 0.20	.X° ± 2°	MAT'L	PART NO. (INTENDED USE)		TITLE: MTF263-1XXRY1					
.XX ± 0.10	.XX° ± 1°	FINISH	APPD: SUNNY	DWG NO.:						
.XXX ± 0.05	.XXX° ± 0.5°		Q'TY	CHKD: LISA						
FEMALE HEADER CONNECTOR			DR: ZOE 2006-11-28							
				<table border="1"> <tr> <td>SCALE</td> <td>SHEET</td> <td>REV.</td> </tr> <tr> <td>1/1</td> <td>1/1</td> <td>A</td> </tr> </table>	SCALE	SHEET	REV.	1/1	1/1	A
SCALE	SHEET	REV.								
1/1	1/1	A								