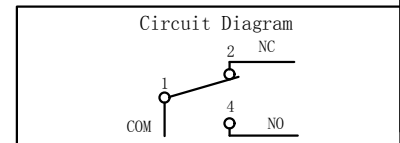
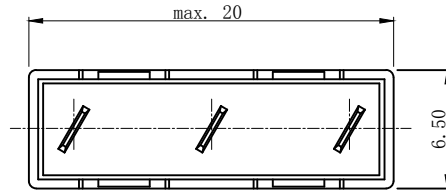
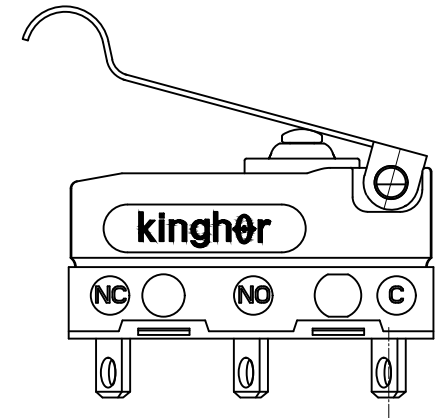
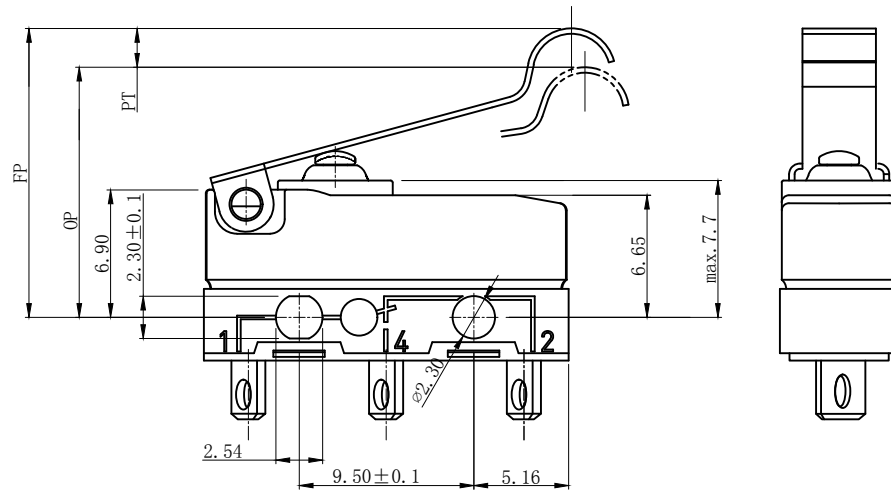


REV	MARK	DESCRIPTION	DRAFTED. BY	DATE



CHARACTERISTICS	
FREE POSITION:	16mm Max.
OPERATING FORCE (OF):	80gf Max.
RELEASE FORCE (RF):	12gf Min.
OPERATING POSITION:	12.8±1.5mm.
PRE TRAVEL:	4.7mm Max.
DIFFERENTIAL TRAVEL:	0.8 mm Max.
OVER TRAVEL:	0.7mm Min.

ELECTRICAL DATA	
RATING	OPERATING LIFE
10(1.5)A 125/250VAC	10,000 CYCLES

MECHANICAL LIFE	500,000 CYCLES
GAP TYPE	MICRO
OPERATING TEMP.	-40°C ~ +105°C
WATERPROOF	IP67

OUTLINE DRAWING		TOLERANCE UNLESS OTHERWISE SPECIFIED									
TITLE	H5 SERIES MICRO SWITCH	≤3	1~3	3~10	10~30	30~100	100~200	ANGLE			
MODEL	H5	±0.2	±0.3	±0.4	±0.6	±1.0	±1.5	±3.0°			
PART NO.	H5-A1-1D05H							SCALE			
DRAFTED BY	Bing Wang							DATE	2020-8-7	UNIT	mm
CHECKED BY	Hua Bai							DATE	2020-8-7	VERSION REV	A1
APPROVED BY	Hong Chen							DATE	2020-8-7	KINGHOR SWITCHES AND CONTROL EXPERT	