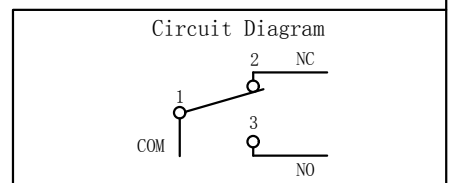
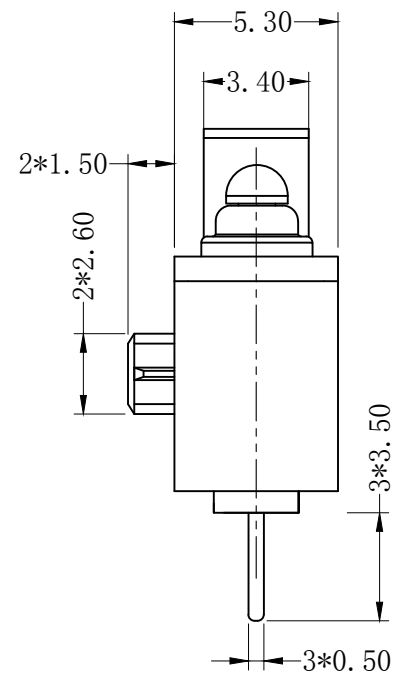
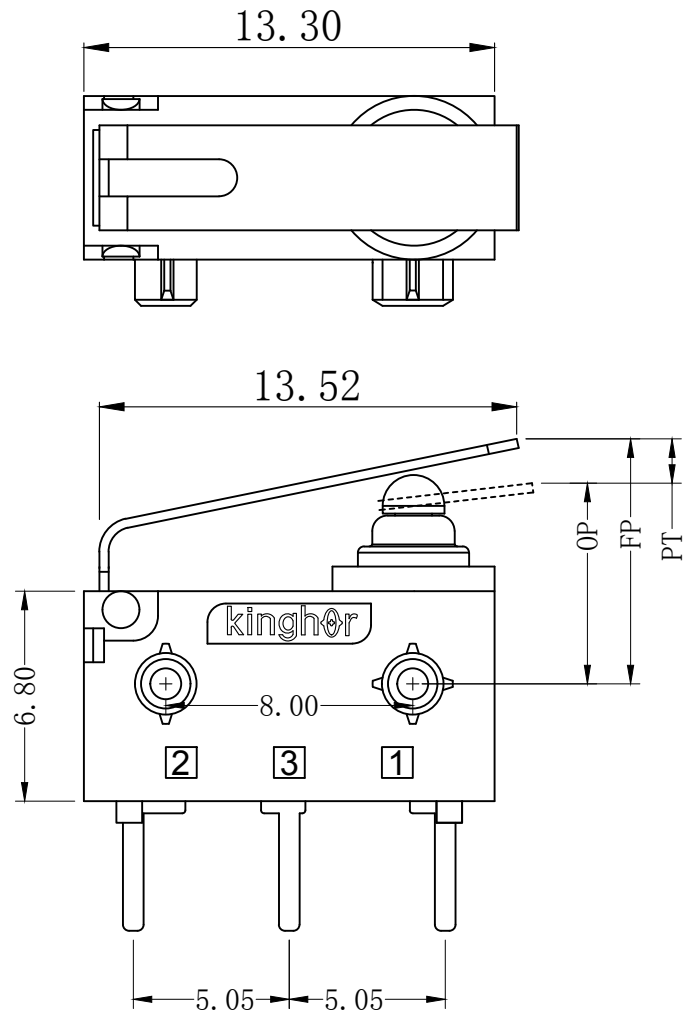


REV	MARK	DESCRIPTION	DRAFTED. BY	DATE



CHARACTERISTICS	
OPERATING FORCE (OF):	280gf Max.
RELEASE FORCE (RF):	50gf Min.
OPERATING POSITION:	6.75 ± 0.6 mm.
PRE TRAVEL:	2.7mm Max.
DIFFERENTIAL TRAVEL:	0.25mm Max.
FREE POSITION:	9.4mm Max.

ELECTRICAL DATA	
<b>RATING</b>	<b>OPERATING LIFE</b>
3A 12VDC	100,000 CYCLES
0.1A 48VDC 125/250VAC	100,000 CYCLES

<b>MECHANICAL LIFE</b>	<b>500,000 CYCLES</b>
<b>GAP TYPE</b>	<b>MICRO</b>
<b>OPERATING TEMP</b>	<b>-40°C ~ +85°C</b>
<b>WATERPROOF</b>	<b>IP67</b>

OUTLINE DRAWING			
<b>TITLE</b>	<b>H3 SERIES MICRO SWITCH</b>		
<b>MODEL</b>	<b>H3-D3</b>		
<b>PART NO.</b>	<b>H3-D3-1D43P</b>		
<b>DRAFTED BY</b>	Bing Wang	<b>DATE</b>	2021-6-10
<b>CHECKED BY</b>	Hua Bai	<b>DATE</b>	2021-6-10
<b>APPROVED BY</b>	Hong Chen	<b>DATE</b>	2021-6-10

TOLERANCE UNLESS OTHERWISE SPECIFIED							
≤3	1~3	3~10	10~30	30~100	100~200	ANGLE	
±0.2	±0.3	±0.4	±0.6	±1.0	±1.5	±3.0°	
						SCALE	
						UNIT	
						VERSION	REV
							A1

**KINGHOR**  
SWITCHES AND CONTROL EXPERT