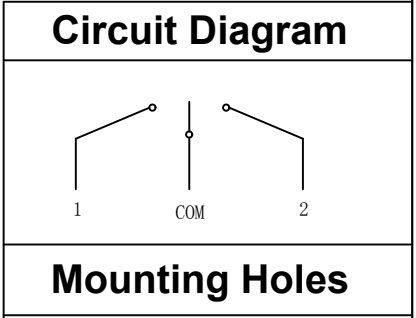
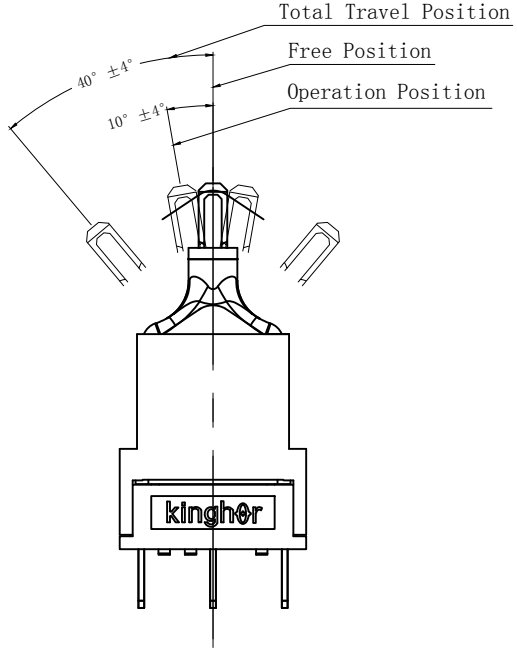
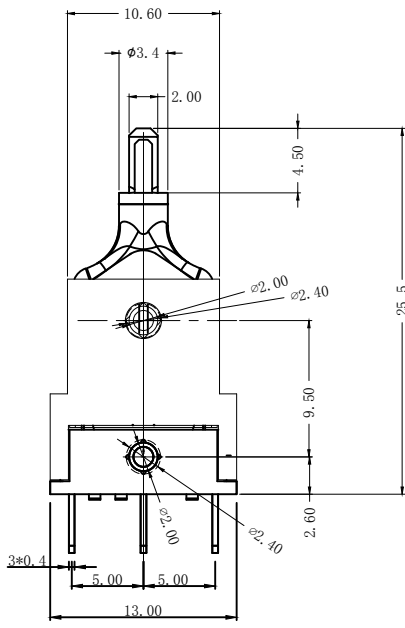
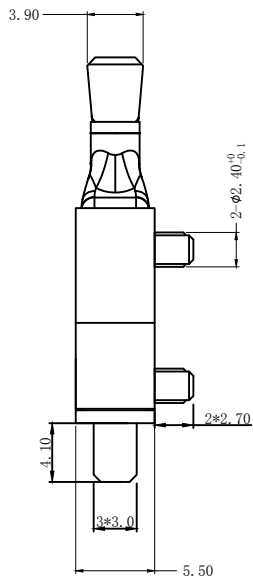


REV	MARK	DESCRIPTION	DRAFTED. BY	DATE



CHARACTERISTICS	
OPERATING FORCE (OF):	200gf Max.
OPERATING POSITION:	10° ±4°

ELECTRICAL DATA	
RATING	OPERATING LIFE
0.1A 12VDC	200,000 CYCLES

MECHANICAL LIFE	200,000 CYCLES
OPERATING TEMP.	-40°C ~ +85°C
WATERPROOF	IP67(Except terminal)

OUTLINE DRAWING			
TITLE	H17 SERIES MICRO SWITCH		
MODEL	H17-A1		
PART NO.	H17-A1-1D00H		
DRAFTED BY	Bing Wang	DATE	2020-7-19
CHECKED BY	Hua Bai	DATE	2020-7-19
APPROVED BY	Hong Chen	DATE	2020-7-19

TOLERANCE UNLESS OTHERWISE SPECIFIED							
≦3	1~3	3~10	10~30	30~100	100~200	ANGLE	
±0.2	±0.3	±0.4	±0.6	±1.0	±1.5	±3.0°	
						SCALE	/
						UNIT	mm
						VERSION REV	A1
						KINGHOR SWITCHES AND CONTROL EXPERT	