

■ Features

- Molding Inductor.
- Low Profile,Low Temp.
- Large Current(Over 15A).
- Customize For Different Need.
- Operating temperature:-40°C ~ +125°C.

■ Applications

- General Electronic.
- Video Device,TV,TFT.
- Power Module for PC.
- NB/Lap Top Computer.
- Server,VGA Card/Module.

■ Product Identification

YSPIA □□□□□ - □□□ □
 (1) (2) (3) (4)

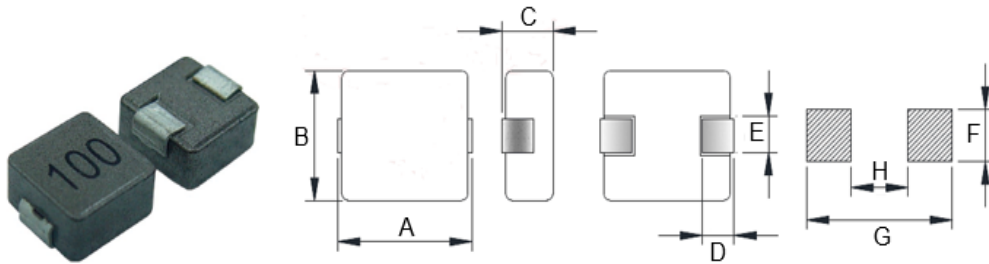
(1) : Type

(2) : Dimensions

(3) : Inductance value

(4) : Inductance Tolerance : N=±30%,M=±20% , K=±10%

■ Shapes and Dimensions (Unit: mm)



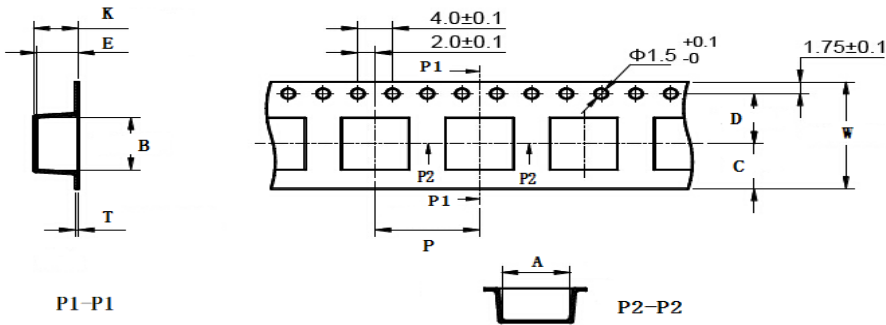
TYPE	A	B	C Max.	D	E	F Ref.	G Ref.	H Ref.
YSPIA0850	7.8±0.5	7.2±0.3	5.0	3.0±0.3	1.6±0.3	3.5	9.6	4.3

■ YSPIA0850 Series

Part Number	Inductance (uH) @100KHz	DC Resistance (mΩ)		Heat Rating Current (A)	Saturation Current (A)
		Typ.	Max.		
YSPIA0850-1R2□	1.2	6.3	9.0	11.0	18.0
YSPIA0850-2R2□	2.2	10.0	14.0	8.0	14.0
YSPIA0850-3R3□	3.3	14.0	21.0	7.0	12.0
YSPIA0850-4R7□	4.7	17.5	25.0	6.5	10.0
YSPIA0850-6R8□	6.8	24.5	32.0	6.0	9.0
YSPIA0850-8R2□	8.2	32.0	40.0	5.0	9.0
YSPIA0850-100□	10	40.5	48.0	4.0	8.0
YSPIA0850-150□	15	71.0	85.0	4.0	5.5
YSPIA0850-220□	22	78.0	102	3.5	6.0
YSPIA0850-330□	33	105	135	3.0	4.0
YSPIA0850-470□	47	155	200	2.5	3.0
YSPIA0850-560□	56	208	245	2.0	2.8
YSPIA0850-680□	68	288	335	1.7	2.5

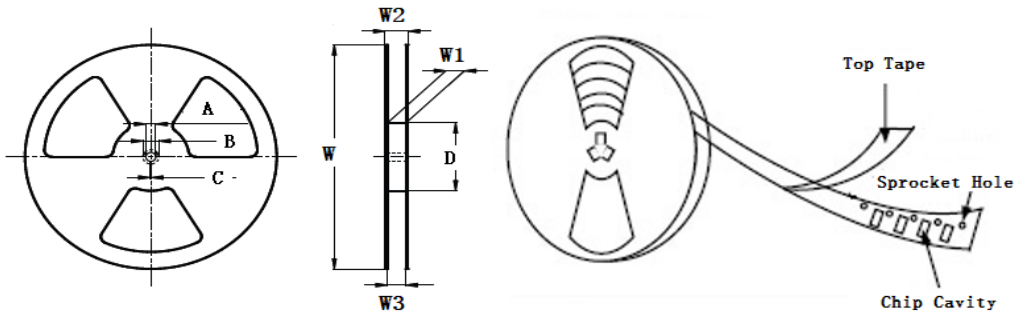
- ※ The saturation current value is the DC current value having inductance decrease down to 30%. (at 20°C)
- ※ The temperature rise current value is the DC current value having temperature increase up to 40°C. (at 20°C)
- ※ The rated current is the DC current value that satisfies both of current value saturation current value and temperature rise current value.

■ Taping Dimensions(Unit:mm)



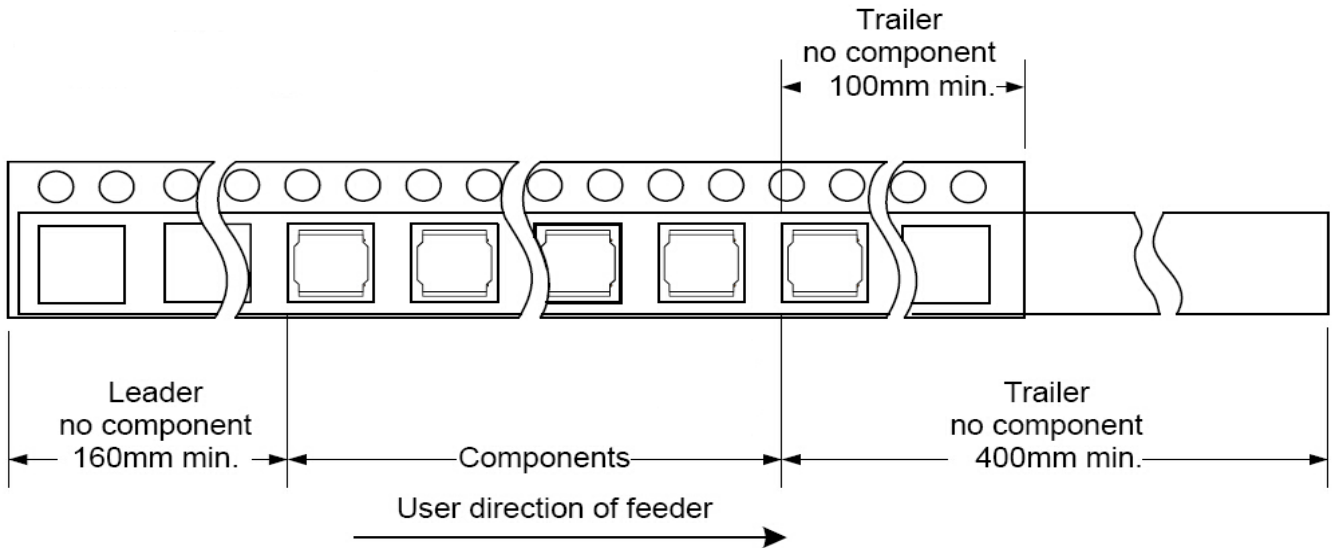
TYPE	W	A	B	C	D	E	P	K Ref	T	MPQ
YSPIA0850	16 ± 0.3	7.7 ± 0.1	8.2 ± 0.1	6.75	7.5 ± 0.1	5.5 ± 0.1	12 ± 0.1	5.2	0.40 ± 0.05	1000

■ Reel Dimensions(Unit:mm)

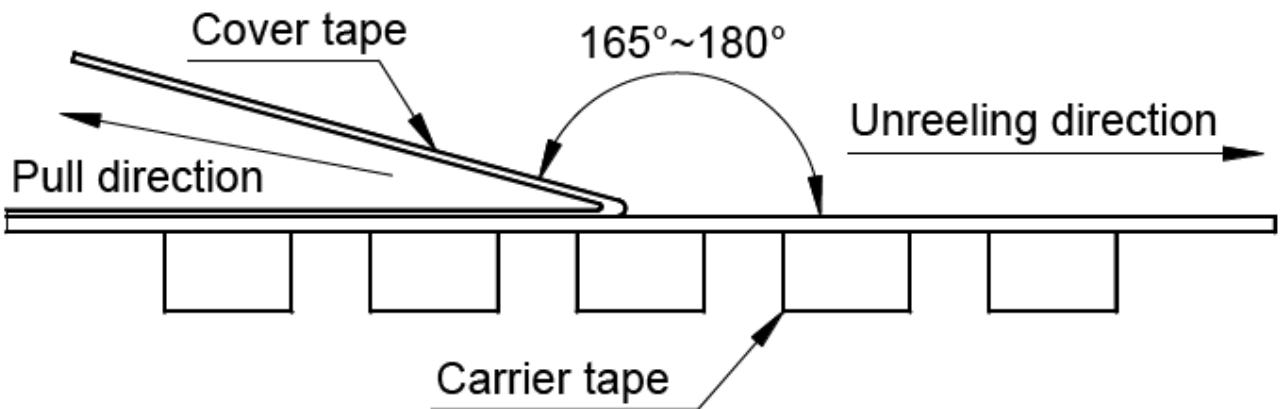


TYPE	W	W1	W2	W3	A	B	C	D
YSPIA0850	330 ± 2.0	16.4 ± 2.00	22.4MAX	15.9 Min	13.0 ± 0.50	21.0 ± 0.80	2.0 ± 0.50	100 Min

■ Direction of rolling



■ Cover tape peel off condition



Cover tape peel force shall be 0.1N to 1.3N.

Reference peel speed 300±10mm/min.