

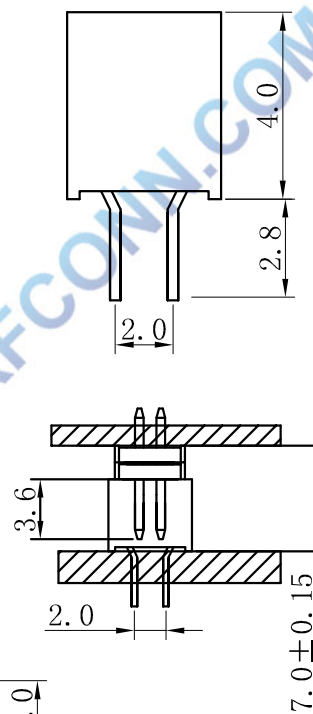
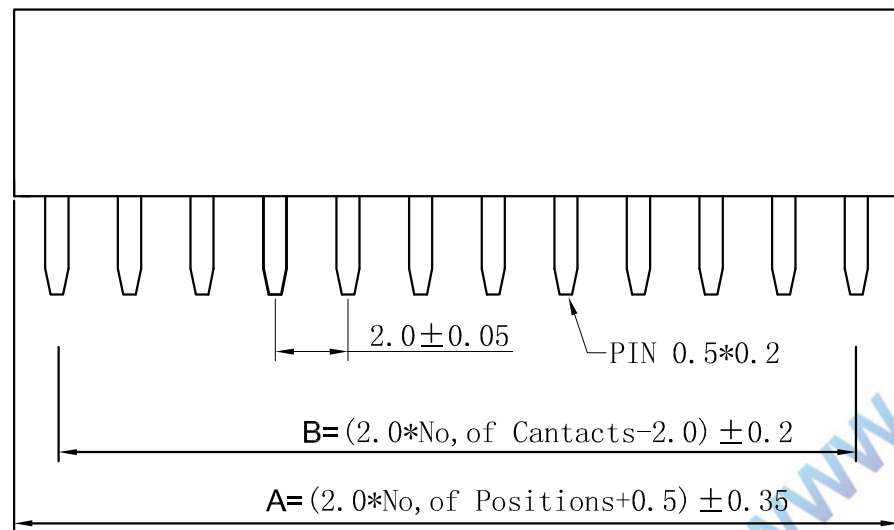
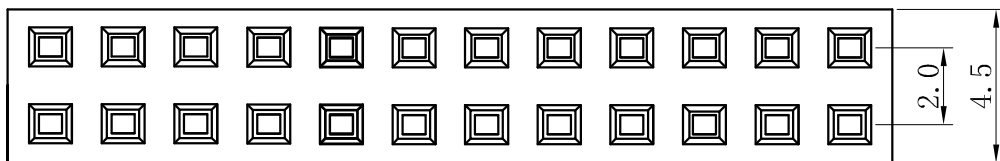
环保物料

TEL:0769-82001899

SPECIFICATIONS

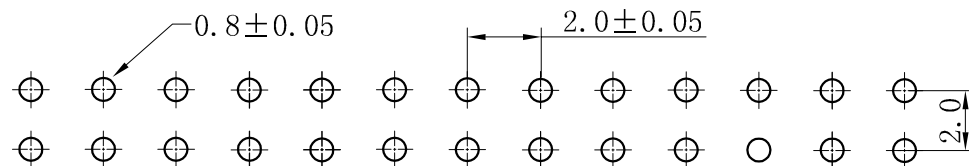
Current Rating: 2Amps  
 Insulator resistance: 5000 Megohms min.  
 Dielectric Withstanding: AC 500V  
 Operating Temperature: -40°~+105° C  
 Max Processing Temp: 230° for 30~60 seconds  
 Contact Material: Brass  
 Insulator Material: NY-6T  
 PLATING: GOLD FLASH

UNSPECIFIED TOLERANCE: ±0.20



Dimensions list

Contacts Per row	Dimensions		Contacts Per row	Dimensions	
	A	B		A	B
2*1	2.0	0	2*21	42.0	40.0
2*2	4.0	2.0	2*22	44.0	42.0
2*3	6.0	4.0	2*23	46.0	44.0
2*4	8.0	6.0	2*24	48.0	46.0
2*5	10.0	8.0	2*25	50.0	48.0
2*6	12.0	10.0	2*26	52.0	50.0
2*7	14.0	12.0	2*27	54.0	52.0
2*8	16.0	14.0	2*28	56.0	54.0
2*9	18.0	16.0	2*29	58.0	56.0
2*10	20.5	18.0	2*30	60.0	58.0
2*11	22.0	20.0	2*31	62.0	60.0
2*12	24.0	22.0	2*32	64.0	62.0
2*13	26.0	24.0	2*33	66.0	64.0
2*14	28.0	26.0	2*34	68.0	66.0
2*15	30.0	28.0	2*35	70.0	68.0
2*16	32.0	30.0	2*36	72.0	70.0
2*17	34.0	32.0	2*37	74.0	72.0
2*18	36.0	34.0	2*38	76.0	74.0
2*19	38.0	36.0	2*39	78.0	76.0
2*20	40.0	38.0	2*40	80.0	78.0



				TOLERANCE UNLESS OTHERWISE		DRAWN	CK tan	XFCN兴飞连接器有限公司 CONNECTORS XFCN CONNECTORS CO., LTD.		SHEET	1/1	
				X.	±0.30	X°	±5°			CHKD	DATE	2010.4.12
				.X	±0.20	.X°	±2°	APPD	PRODUCT NAME	2.00mm Female Header Connectors		
				.XX	±0.08	.XX°	±1°	VIEW	PART. NO.	PM200V-12-xx-H40	UNITS	mm
				.XXX	±0.03	.XXX°	±0.5°				SCALE	1:1
A0 VER	MODIFICATION	DRAW	DATE									