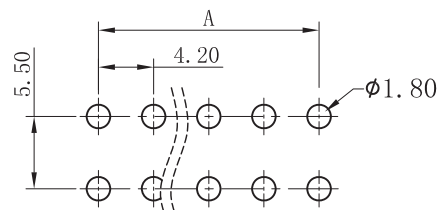
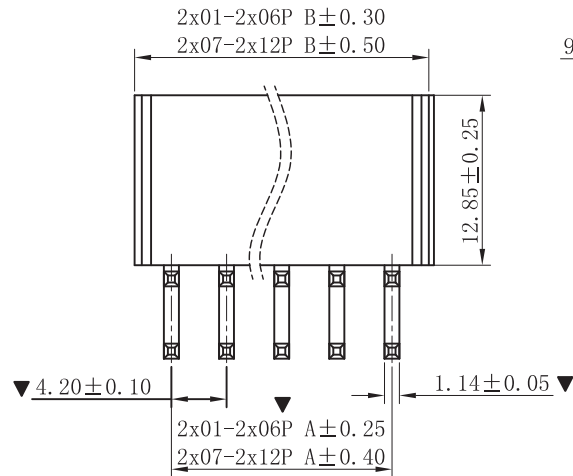
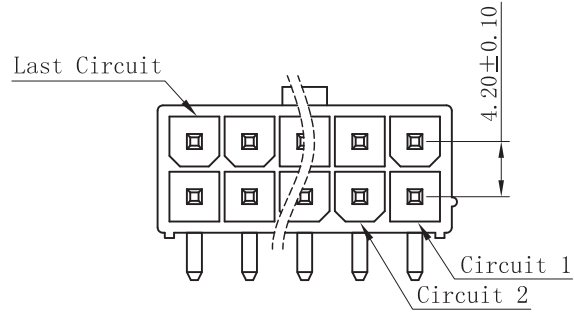


SPECIFICATIONS

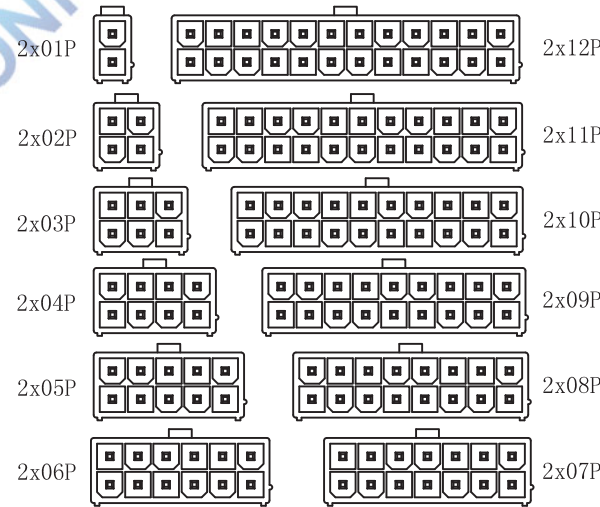
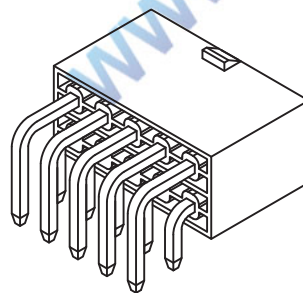
- 1.Voltage rating: 600V AC, DC
 - 2.Current rating: 9A, AC, DC
 - 3.Withstanding Voltage:1500V AC/minute
 - 4.Insulation resistance:1000MΩ min
 - 5.Temperature range: -25° C-+85° C
 - 6.Contact resistance: 10mΩ max
- WAFER

Housing Material: Nylon66 UL 94V0 (2)
 Pin Material: Phosphor Bronze or Brass
 Contact Area Plating: Plated Tin or Plated Gold
 Mates with :P4202-2xXX series Housing
 Poles:02-24P
 PartNo.:M4202R-2xXX-XX-XX-XX

G=镀金 G3=镀金3U
 无=镀锡
 N2=Pa66-V2
 N0=Pa66-V0



P. C. B LAYOUT



CIRCUIT SIZE LAYOUT

PART NO.	Dimensions (mm)	
	A	B
2x01	--	5.60
2x02	4.20	9.80
2x03	8.40	14.00
2x04	12.60	18.20
2x05	16.80	22.40
2x06	21.00	26.60
2x07	25.20	30.80
2x08	29.40	35.00
2x09	33.60	39.20
2x10	37.80	43.40
2x11	42.00	47.60
2x12	46.20	51.80

				TOLERANCE UNLESS OTHERWISE		DRAWN	CK tan	XFCN兴飞连接器有限公司 CONNECTORS XFCN CONNECTORS CO., LTD.		SHEET	1/1
				X.	±0.30	X°	±5°			CHKD	DATE
				.X	±0.20	.X°	±2°	APPD	PRODUCT NAME	4.20mm Crimp Style Connectors	
				.XX	±0.08	.XX°	±1°	VIEW	PART. NO.	M4202R-2xXX-XX-XX	
				.XXX	±0.03	.XXX°	±0.5°				
AO	MODIFICATION		DRAW	DATE							
VER											