

• General Description

The TF060N03N uses advanced trench technology and design to provide excellent RDS(ON) with low gate charge. It can be used in a wide variety of applications.

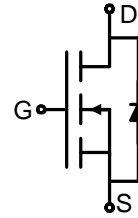
• Features

- Advance device constructure
- Low R_{DS(ON)} to minimize conduction loss
- Low Gate Charge for fast switching
- Low Thermal resistance

• Application

- Synchronous Rectification for AC-DC/DC-DC converter
- Power Tools

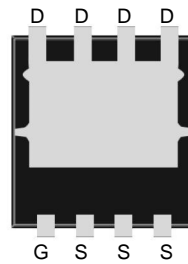
• Product Summary



V_{DS}=30V I_D=65A

R_{DS(ON)}(4.5V typ)=5.5mΩ

R_{DS(ON)}(2.5V typ)=9.8mΩ



PDFNWB5x6-8L

• Package Marking and Ordering Information:

Part NO.	TF060N03N
Marking1	060N03N
Marking2	TF:tuofeng; Y:year code; XX:Week; AA:device code;
Basic ordering unit (pcs)	5000

• Absolute Maximum Ratings (T_C =25°C)

Parameter	Symbol	Rating	Unit
Drain-Source Voltage	V _{DS}	30	V
Gate-Source Voltage	V _{GS}	±20	V
Continuous Drain Current	I _D @TC=25°C	65	A
	I _D @TC=75°C	45	A
	I _D @TC=100°C	40	A
Pulsed Drain Current ①	I _{DM}	180	A
Total Power Dissipation	P _D @TC=25°C	45	W
Total Power Dissipation	P _D @TA=25°C	2.0	W
Operating Junction Temperature	T _J	-55 to 150	°C
Storage Temperature	T _{STG}	-55 to 150	°C
Single Pulse Avalanche Energy	E _{AS}	105	mJ



●Thermal resistance

Parameter	Symbol	Min.	Typ.	Max.	Unit
Thermal resistance, junction - case	R_{thJC}	-	-	5.5	° C/W
Thermal resistance, junction - ambient	R_{thJA}	-	-	60	° C/W
Soldering temperature, wavesoldering for 8 s	T_{sold}	-	-	265	° C

●Electronic Characteristics

Parameter	Symbol	Condition	Min.	Typ	Max.	Unit
Drain-Source Breakdown Voltage	BV_{DSS}	$V_{GS} = 0V, I_D = 250\mu A$	30	-	-	V
Gate Threshold Voltage	$V_{GS(TH)}$	$V_{GS} = V_{DS}, I_D = 250\mu A$	1.1	1.5	2.1	V
Drain-Source Leakage Current	I_{DSS}	$V_{DS} = 30V, V_{GS} = 0V$	-	-	1.0	μA
Gate- Source Leakage Current	I_{GSS}	$V_{GS} = \pm 20V, V_{DS} = 0V$	-	-	± 100	nA
Static Drain-source On Resistance	$R_{DS(ON)}$	$V_{GS} = 10V, I_D = 20A$	-	5.5	7.0	$m\Omega$
		$V_{GS} = 4.5V, I_D = 20A$	-	9.8	11	$m\Omega$
Forward Transconductance	g_{FS}	$V_{DS} = 25V, I_D = 20A$	-	20	-	S
Source-drain voltage	V_{SD}	$I_S = 20A$	-	0.84	1.20	V

●Electronic Characteristics

Parameter	Symbol	Condition	Min.	Typ	Max.	Unit
Input capacitance	C_{iss}	$f = 1MHz$ $V_{DS} = 15V$ $V_{GS} = 0V$	-	1400	-	pF
Output capacitance	C_{oss}		-	205	-	
Reverse transfer capacitance	C_{rss}		-	177	-	

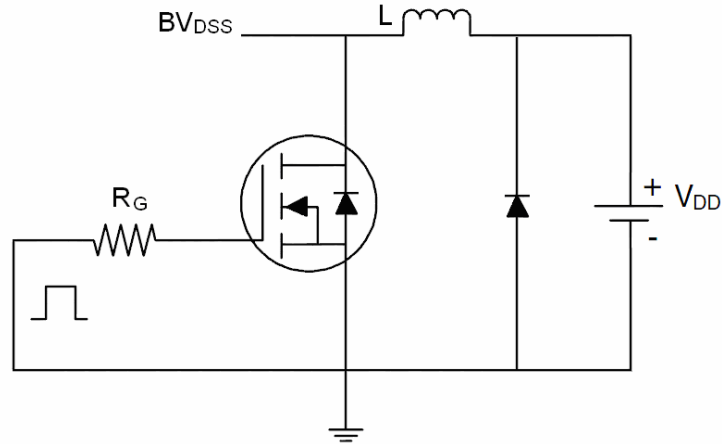
●Gate Charge characteristics($T_a = 25^\circ C$)

Parameter	Symbol	Condition	Min.	Typ	Max.	Unit
Total gate charge	Q_g	$V_{DD} = 15V$	-	32.3	-	nC
Gate - Source charge	Q_{gs}	$I_D = 20A$	-	4.9	-	
Gate - Drain charge	Q_{gd}	$V_{GS} = 10V$	-	6.9	-	

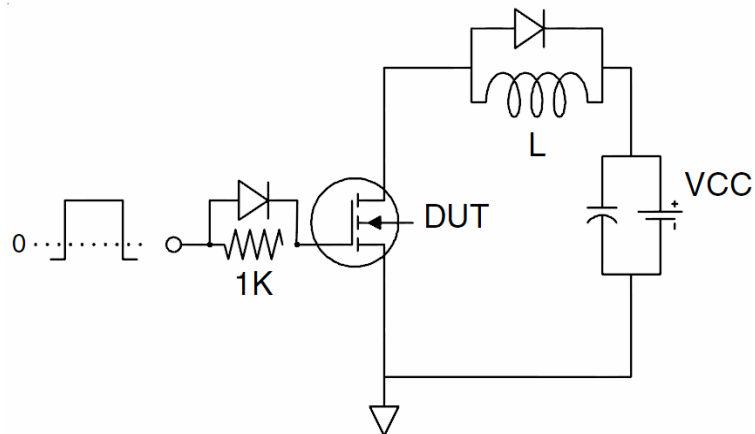
Note: ① Pulse Test : Pulse width $\leq 300\mu s$, Duty cycle $\leq 2\%$;

Test Circuit

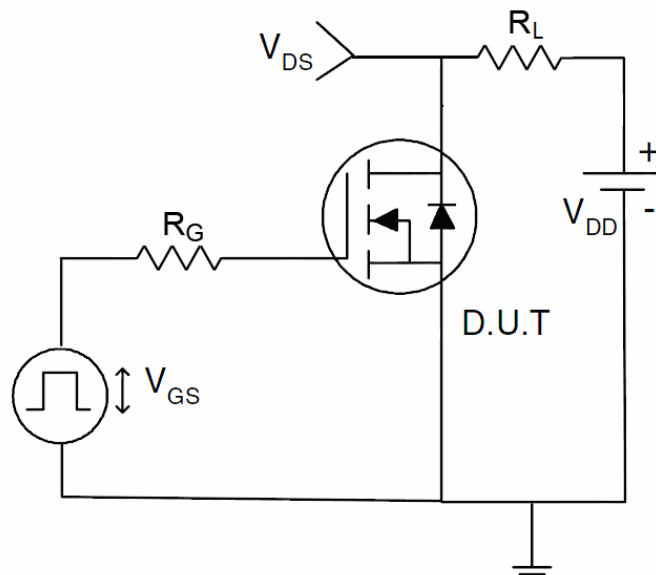
1) E_{AS} test Circuit



2) Gate charge test Circuit



3) Switch Time Test Circuit



Typical Electrical and Thermal Characteristics

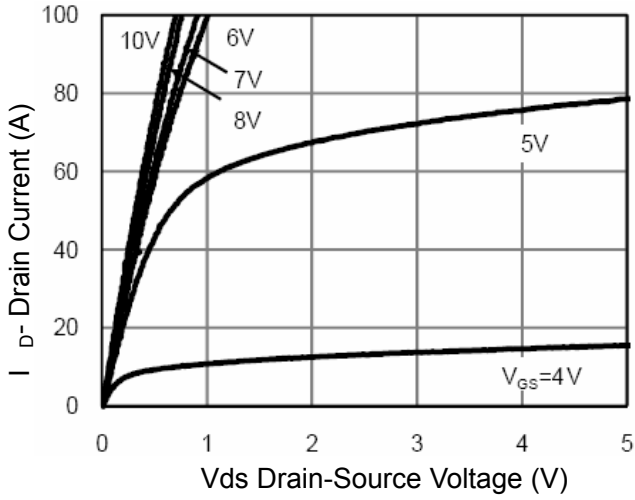


Figure 1 Output Characteristics

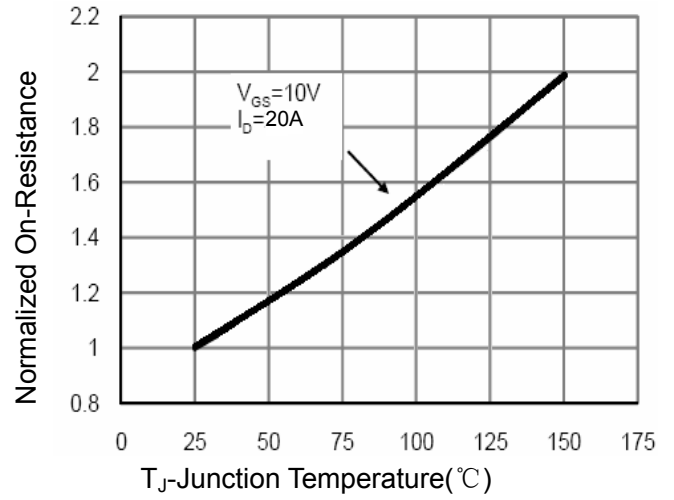


Figure 4 Rds(on)-Junction Temperature

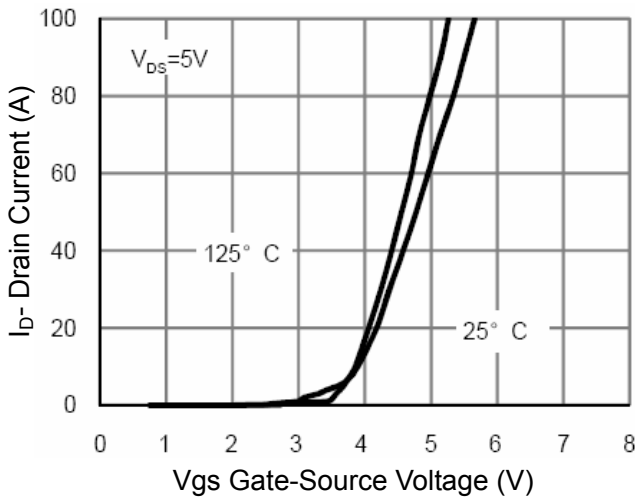


Figure 2 Transfer Characteristics

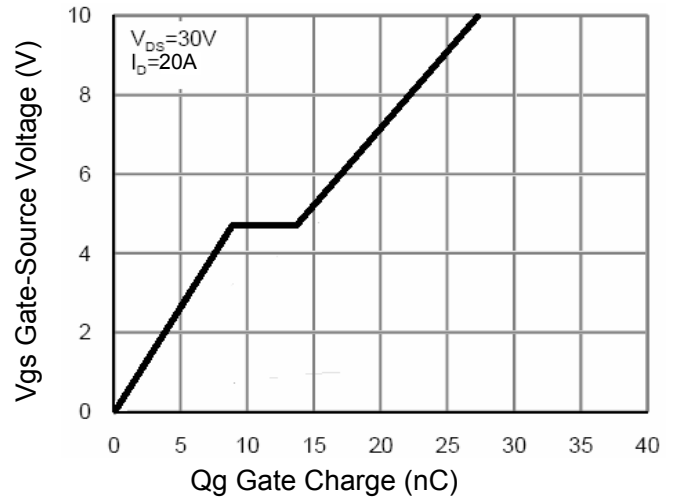


Figure 5 Gate Charge

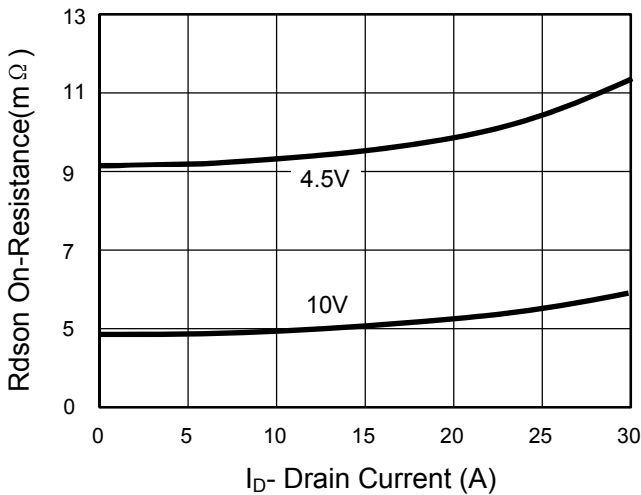


Figure 3 Rdson- Drain Current

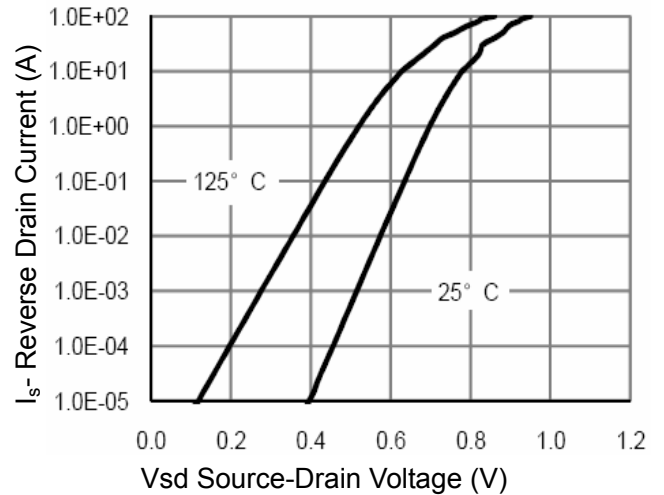


Figure 6 Source- Drain Diode Forward

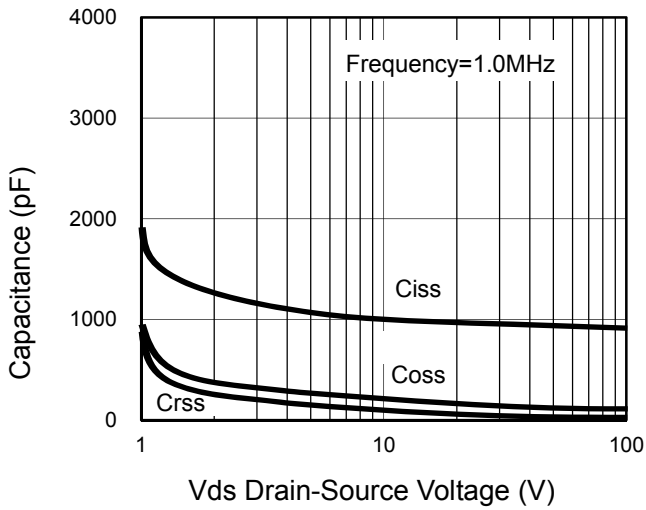


Figure 7 Capacitance vs Vds

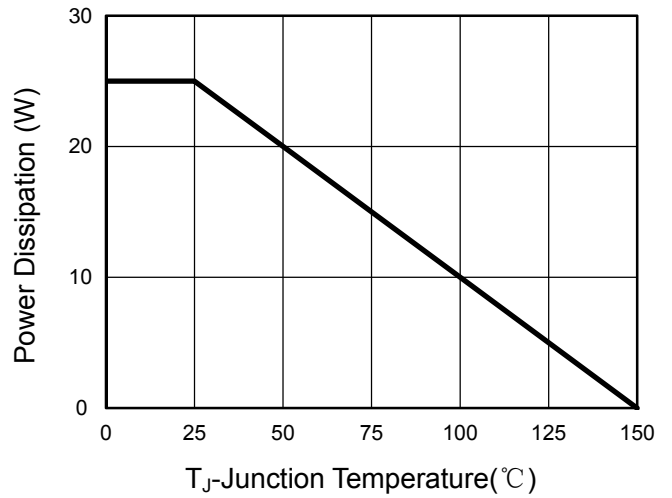


Figure 9 Power De-rating

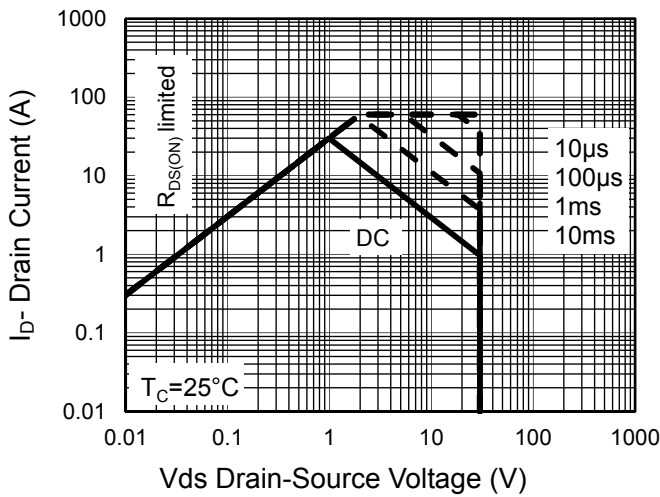


Figure 8 Safe Operation Area

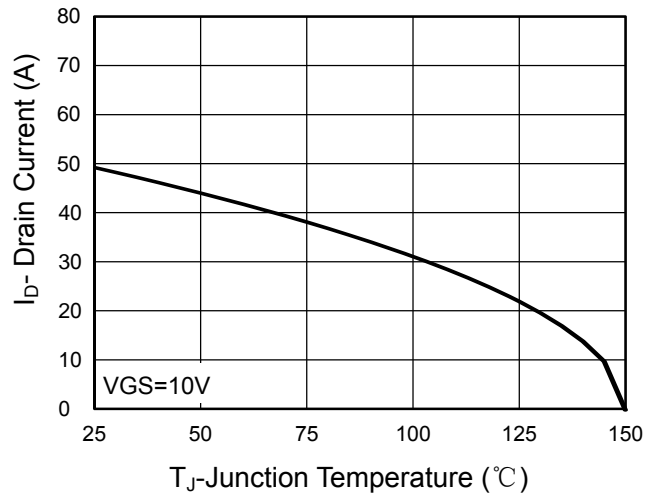


Figure 10 Current De-rating

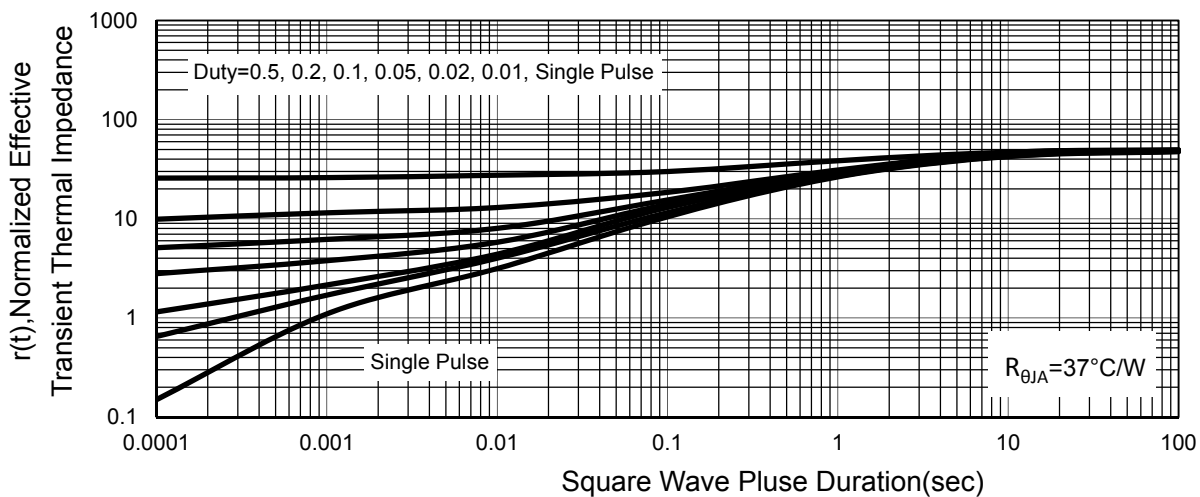
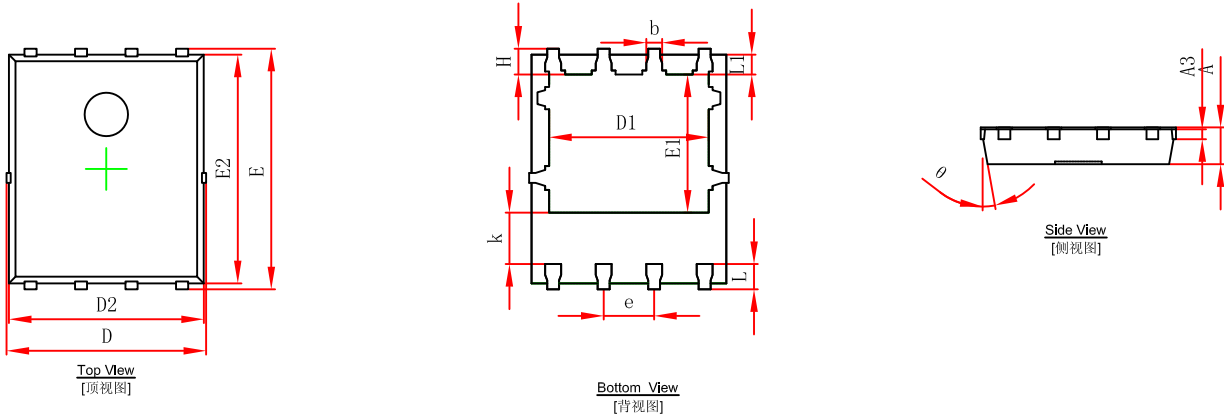


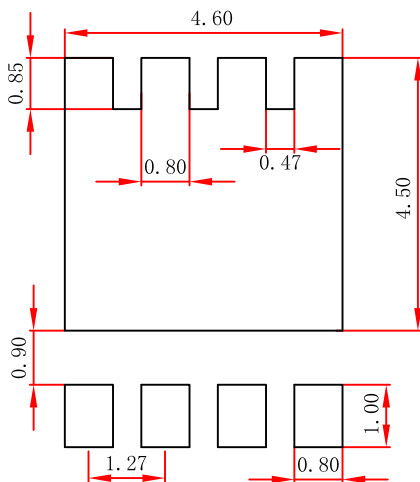
Figure 11 Normalized Maximum Transient Thermal Impedance

PDFNWB5x6-8L Package Outline Dimensions



Symbol	Dimensions In Millimeters		Dimensions In Inches	
	Min.	Max.	Min.	Max.
A	0.900	1.000	0.035	0.039
A3	0.254REF.		0.010REF.	
D	4.944	5.096	0.195	0.201
E	5.974	6.126	0.235	0.241
D1	3.910	4.110	0.154	0.162
E1	3.375	3.575	0.133	0.141
D2	4.824	4.976	0.190	0.196
E2	5.674	5.826	0.223	0.229
k	1.190	1.390	0.047	0.055
b	0.350	0.450	0.014	0.018
e	1.270TYP.		0.050TYP.	
L	0.559	0.711	0.022	0.028
L1	0.424	0.576	0.017	0.023
H	0.574	0.726	0.023	0.029
θ	10°	12°	10°	12°

PDFNWB5x6-8L Suggested Pad Layout



- Note:
1. Controlling dimension: in millimeters.
 2. General tolerance: $\pm 0.05\text{mm}$.
 3. The pad layout is for reference purposes only.