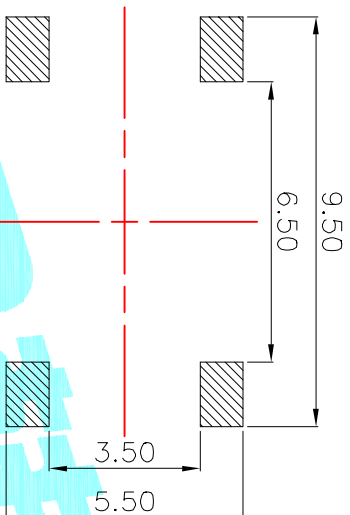
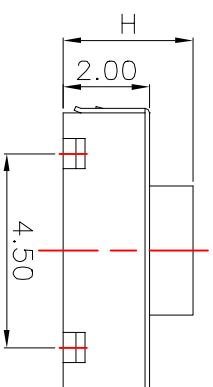
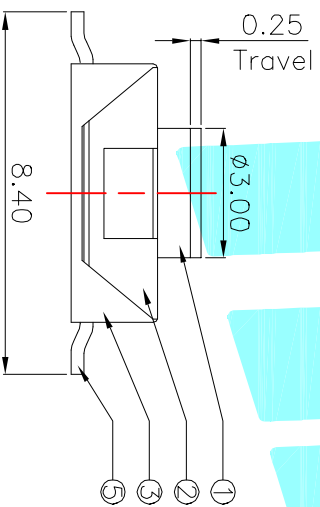
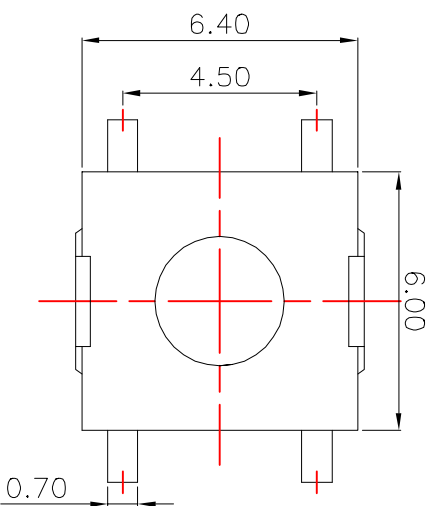


Circuit Diagram



NO.1	
PART NO.	H
B	2.5
C	3.1
D	3.4
E	5.5

NO.3	
PART NO.	MATERIAL/QTY
S	SUS/1PC
C	C5210/1PC
D	SUS/2PCS
F	C5210/2PCS

NO.2	
PART NO.	vigor
1	90±30
2	130±30
3	180±30
4	250±30
5	350±50

NO.4-NO.5	
PART NO.	NOTE
01~99	SERIAL NUMBER

ITEM	PART NAME	TER'NO.	QTY.	MATERIAL	FINISHING	REMARK
⑤	Terminal	—	4	Copper(0.3t)	Plating silver	—
④	Contact	—	1	F.Ag/C5210	Natural	—
③	Base	—	1	Nylon	Black	—
②	Cover	—	1	Brass(0.15t)	Plating Nickel	—
①	Keystroke	—	1	Nylon	Red	—

APPROVALS		DATE	TITLE:
DRAWN	J.X.Zhong	2013/7/17	TACT SWITCHS

APPROVALS		TITLE:	
CHECKED		PART NO.	K2-1157SP-□□□□-□□
APPROVALS		SCALE:	1:1
TOLERANCES ARE		DRAWING NO.	
30~12.5	±0.30		
10~30	±0.20		
5~10	±0.15		
~5	±0.10		

ECN NO.	REV.	DATE.	DESCRIPTION.	CHANGE.	CHECK.	APPRO.
	A		NEW			



ELECTRONICS CO.,LTD