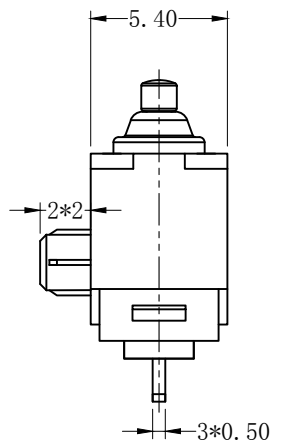
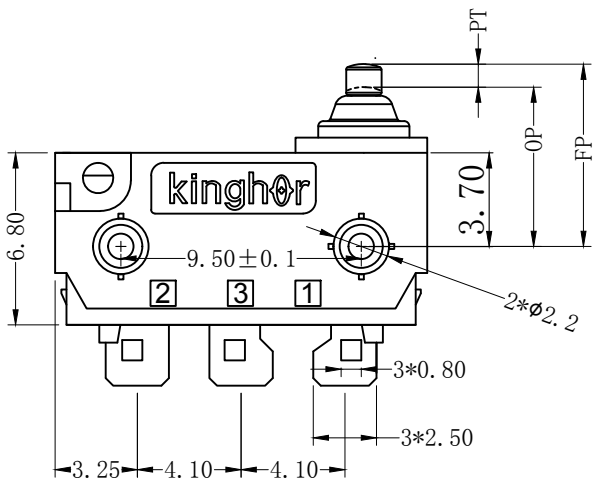
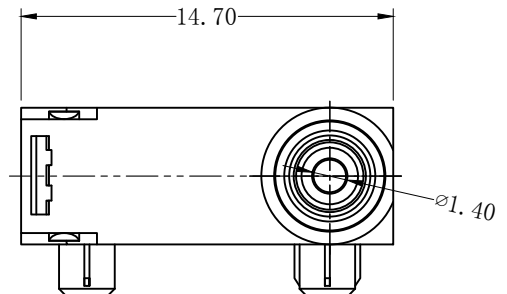


| REV | MARK | DESCRIPTION | DRAFTED. BY | DATE |
|-----|------|-------------|-------------|------|
|     |      |             |             |      |
|     |      |             |             |      |
|     |      |             |             |      |

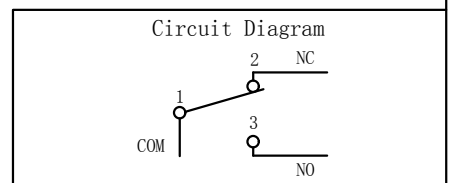


| CHARACTERISTICS       |               |
|-----------------------|---------------|
| OPERATING FORCE (OF): | 130gf Max.    |
| RELEASE FORCE (RF):   | 13gf Min.     |
| OPERATING POSITION:   | 3.5 ± 0.2 mm. |
| PRE TRAVEL:           | 0.8mm Max.    |
| DIFFERENTIAL TRAVEL:  | 0.2mm Max.    |
| FREE POSITION:        | 3.65mm Max.   |

| ELECTRICAL DATA       |                |
|-----------------------|----------------|
| RATING                | OPERATING LIFE |
| 3A 12VDC              | 100,000 CYCLES |
| 0.1A 48VDC 125/250VAC | 100,000 CYCLES |

|                 |                |
|-----------------|----------------|
| MECHANICAL LIFE | 500,000 CYCLES |
| GAP TYPE        | MICRO          |
| OPERATING TEMP  | -40°C ~ +85°C  |
| WATERPROOF      | IP67           |

| OUTLINE DRAWING |                        |      |           |
|-----------------|------------------------|------|-----------|
| TITLE           | H3 SERIES MICRO SWITCH |      |           |
| MODEL           | H3-A12                 |      |           |
| PART NO.        | H3-A12-1D00S           |      |           |
| DRAFTED BY      | Bing Wang              | DATE | 2020-6-13 |
| CHECKED BY      | Hua Bai                | DATE | 2020-6-13 |
| APPROVED BY     | Hong Chen              | DATE | 2020-6-13 |



| TOLERANCE UNLESS OTHERWISE SPECIFIED |      |      |       |        |         |       |  |
|--------------------------------------|------|------|-------|--------|---------|-------|--|
| ≤3                                   | 1~3  | 3~10 | 10~30 | 30~100 | 100~200 | ANGLE |  |
| ±0.2                                 | ±0.3 | ±0.4 | ±0.6  | ±1.0   | ±1.5    | ±3.0° |  |



| SCALE       |    |
|-------------|----|
| UNIT        | mm |
| VERSION REV | A1 |

**KINGHOR**  
SWITCHES AND CONTROL EXPERT