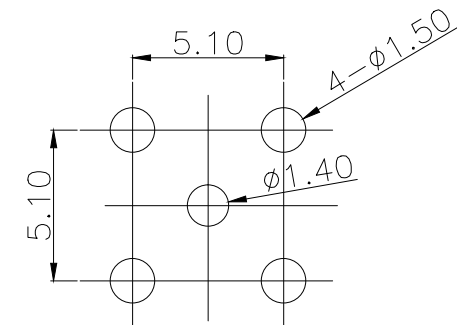
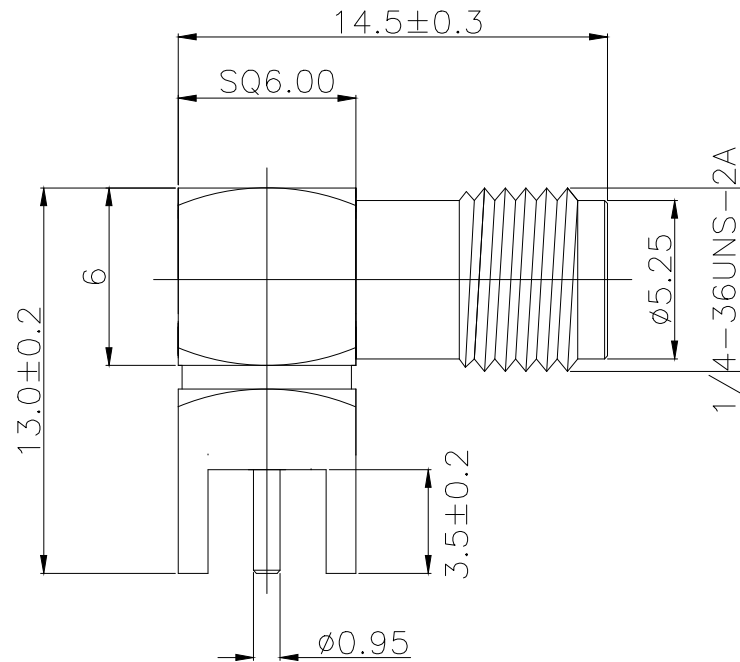
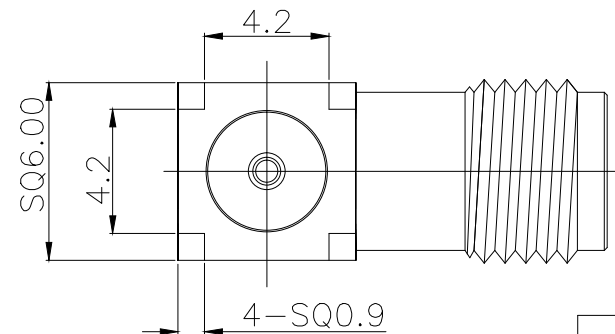


REV.	ECN NO.	LOCAS.	DESCRIPTION	DATE	DESIGN
A0			The first edition released	2016.07.6	GYL
A1			统一料号	2018.11.10	MARK



PCB Layout



1. Electrical Characteristics

- 1.1 Impedance: 50 Ohm
- 1.2 Working Frequency: DC - 3 GHz
- 1.3 S. W. R. : ≤ 1.5
- 1.4 Working Voltage: 335V / max
- 1.5 Insulation Resistance: 5000 Mohm
- 1.6 Contact Resistance: Center Contact: 3mohm
- 1.7 Outer Contact: ≤ 2 mohm

2. Environmental

- 2.1 Working Temperature Range: $-55^{\circ}\text{C} \sim +125^{\circ}\text{C}$

COPLIANCE WITH THE REQUIEMENT RoHS HF SONY00259 OTHER

* NO USING RESTRICTED AND BANNED SUBSTANCE

DIM	TOL	DIM	TOL
X.	± 0.20	X'	$\pm 4.0'$
X.X	± 0.15	X.X'	$\pm 3.0'$
X.XX	± 0.05	X.XX'	$\pm 2.0'$
X.XXX	± 0.005	X.XXX'	$\pm 1.0'$

HJ-Tech 东莞市皇捷通讯科技有限公司
电话: 0769-83328111

DRAW NO.		DATE	DRAW NAME: 90度SMA母头 FOR PCB SQ6.0*L14.5*W13.0mm, 主体黄铜镀金, 0D0.95母针镀金, 脚长3.5mm,		
DESIGN:	Mark	2018.11.10	FILE:	P/N NO. HJ-2LC15SF026	
CHECK:			MODEL:	UNIT:	SHEET:
APPROVED:			REV. A0	SCALE N/A	mm N/A