

SPECIFICATIONS

PCI-E Connector

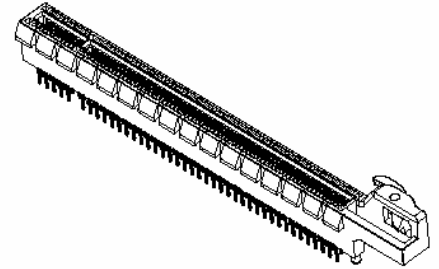
Mechanical

Contact Retention Force: 0.50Kg min. per contact
Durability: 50 Cycles
Insertion Force(Conn. Into PCB): 0.117Kg max.
Unmating Force(Per Contact pair): 0.154Kg min.

2EG7 Series
All In One Type
1.00mm [.039"] Pitch
164 Pos.

Electrical

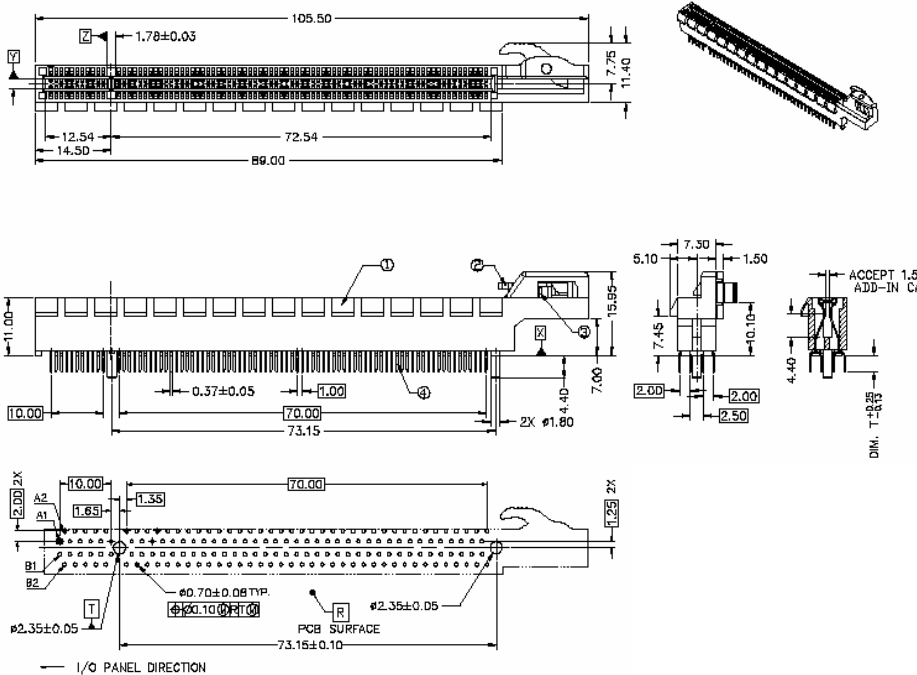
Current Rating: 1.1 Amps per pin max.
Insulation Resistance: 1000MΩ min. at 500V DC
Dielectric Withstanding Voltage: Apply 500VAC for 1 minute between adjacent terminals of an unmated connector. No breakdown.
Low Level Contact Resistance: 30mΩ max. initial, Change not greater than 20mΩ Max.



Physical

Housing: Thermoplastic, UL 94V-0 rated in Black Color
Ejector: Thermoplastic, UL 94V-0 rated in White Color
Contact: Copper alloy
Operating Temperature: -40°C to +105°C

DRAWING



ORDERING INFORMATION

PROD. NO.: 2EG 7 8 2 * * - D2DL - 4 F
 FIELD PRODUCT SERIES: 2EG= PCI EXPRESS
 TERMINAL TYPE: 7= ALL IN ONE TYPE
 NO. OF POS.: 82= 164 POSITIONS
 PLATING TYPE: 4F= LEAD FREE, RoHS COMPLIANT
 EXTENSION CODE
 CONTACT AREA GOLD PLATING: 1= GOLD FLASH, 7= 15u" GOLD, 3= 30u" GOLD
 TAIL LENGTH: 1= 2.30mm, 2= 3.10mm

2EG7822*-D2DL-4F	3.10
2EG7821*-D2DL-4F	2.30
PART NUMBER	DIM. T