

No: SR-2-019-02-A

App

Chk

Dwg

Date

Specification Sheet

Relay S3H-24-1AS

1.Scope: This specification covers Relay S3H-24-1AS
(It Includes specifications and drawings)

Approval Blank

Please sign & chop for the approval of the specification for the specified in this drawing.

SHORI Electric Co., Ltd

No: SR-2-019-02-A

Relay Model :S3H-24-1AS 1600 Ohm

General Performance

1.Application :Domestic appliances, audio equipment, etc...

2.Safety Approval :UL&CUL /E188091 & TUV/R50025857

3.Contact Specification

3-1 Contact From :SPNO

3-2 Contact Material :Silver alloy

3-3 Rated Carrying Current :15A

3-4 Min. Applicable Load :10mA 5VDC

3-5 Max. Allowable Voltage :250VAC/30VDC

3-6 Rated Load : 15A/125VAC 10A/277VAC 7A/30VDC

Resistance Load (CosØ=1) 20A/14VDC 10A/240VAC TV-5/125VAC
1000W/125VAC Tungsten / Ballast

4.Electrical Specification

(at 20 Degree Celsius)

4-1 Nominal Voltage :24VDC

4-2 Nominal Current :15mA

4-3 Pick Up Voltage :18VDC(75% of the Nominal Voltage Max.)

4-4 Drop Out Voltage :2.4VDC(10% of the Nominal Voltage Min.)

4-5 Maximum Applicable Voltage :31.2VDC

4-6 Coil Resistance :1600 Ohm+/- 10%

4-7 Operate Time :20ms

4-8 Release Time :10ms

4-9 Power Consumption :0.36W

5.Service Life

5-1 Electrical Service Life :100,000 Operations at rated load

5-2 Mechanical Service Life :10,000,000 Operations

6.Dielectric Strength

6-1 Between Coil and Contact :1500VAC for 1 Minute

6-2 Between Contact :500VAC for 1 Minute.

7.Insulation Resistance :100MΩ Min(DC 500V)

SHORI Electric Co., Ltd

No: SR-2-019-02-A

8.Contact resistance	:100m Ω Max.
9.Vibration	
9-1 Error Operational	:10 to 55 Hz Double Amplitude 1.5 mm
9-2 Endurance	:10 to 55 Hz Double Amplitude 1.5 mm
10.Shock resistance	
10-1 Endurance	:100G Min
10-2 Error Operation	:10 G Min
11.Coil Temperature Raise	:Max.35 Degree
12.Ambient temperature	
12-1 Operating	:-30~ +85 $^{\circ}$ C
13.Humidity	:45 to 85%RH
14.Weight	:about 9.5g
15.Sample testing Method	:MIL-STD-105E Level-General H
16.Part Number Arrangement,	AQL-0.4

S3H – 24 -- 1 A S

(1) (2) (3) (4)

(1) Relay Model

(2) Coil Voltage

(3) Contact Form

Nil: 1 Form C (SPDT)

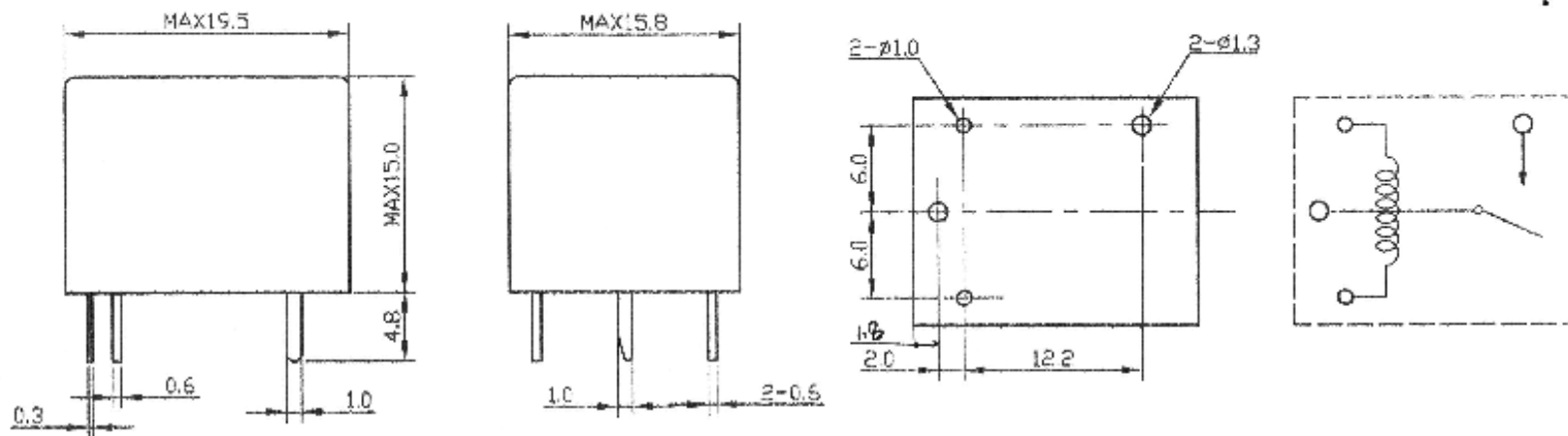
A: 1 Form A (SPNO)

B: 1 Form B (SPNC)

(4) Blank: Sealed type

S: Sealed type washable

SHORI Electric Co., Ltd



注: 1.未注公差±0.2
2.单位mm

						镀涂															
版次						S3/S3H-SPNO 脚位图				R0003-2											
第1版										等级				标记							
底图总号										重量				比例							
更改标记						数量				更改单号				签名				日期			
设计						吴考				07.7.9											
绘图						吴考				07.7.9											
审核						WFL				2.10.07											
日期						签名				第1张				共1张							
标准化														东莞谢岗胜力电子厂							
批注																					