

No: SR-2-019-02-A

App

Chk

Dwg

Date

Specification Sheet

Relay S3-12

1.Scope: This specification covers Relay S3-12 SC
(It Includes specifications and drawings)

Approval Blank

Please sign & chop for the approval of the specification for the specified in this drawing.

SHORI Electric Co., Ltd

No: SR-2-019-02-A

Relay Model	:S3-12 SC 400 Ohm
General Performance	
Application	:Domestic appliances, audio equipment, etc...
1..Safety Approval	:UL&CUL/E188091&TUV/R09754312
2.Contact Specification	
2-1 Contact From	:SPDT
2-2 Contact Material	:Silver alloy
2-3 Rated Carrying Current	:10A
2-4 Min. Applicable Load	:10mA 5VDC
2-5 Max. Allowable Voltage	:250VAC/30VDC
2-6 Rated Load	:10A/120VAC 10A/24VDC
Resistance Load (CosØ=1)	5A/240VAC
3.Electrical Specification	
(at 20 Degree Celsius)	
3-1 Nominal Voltage	:12VDC
3-2 Nominal Current	:30mA
3-3 Pick Up Voltage	:9VDC(75% of the Nominal Voltage Max)
3-4 Drop Out Voltage	:0.6VDC(5% of the Nominal Voltage Min)
3-5 Maximum Applicable Voltage	:15.6VDC
3-6 Coil Resistance	:400 Ohm+/- 10%
3-7 Operate Time	:10ms
3-8 Release Time	:5ms
3-9 Power Consumption	:0.36W
4.Service Life	
4-1 Electrical Service Life	:100,000 Operations at rated load
4-2 Mechanical Service Life	:10,000,000 Operations
5.Dielectric Strength	
5-1 Between Coil and Contact	:1500VAC for 1 Minute
5-2 Between Contact	:500VAC for 1 Minute.
6.Insulation Resistance	:100M Ω Min(DC 500V)

SHORI Electric Co., Ltd

No: SR-2-019-02-A

7.Contact resistance	100m Ω Max.@100mA 6VDC
8.Vibration	
8-1 Error Operational	:10 to 55 Hz Double Amplitude 1.5 mm
8-2 Endurance	:10 to 55 Hz Double Amplitude 1.5 mm
9.Shock resistance	
9-1 Endurance	:100G Min
9-2 Error Operation	:10 G Min
10.Coil Temperature Raise	:Max.35 Degree
11.Ambient temperature	
11-1 Operating	:-30~ +55 $^{\circ}$ C
12.Humidity	:45 to 85%RH
13.Weight	:about 9.5g
14. Sample testing method	:MIL-STD-105E Level-General H AQL-0.4

15.Part Number Arrangement,

S3 --- 12

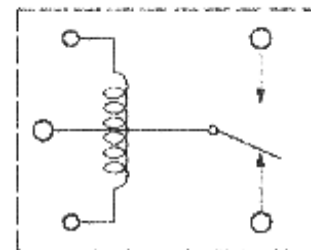
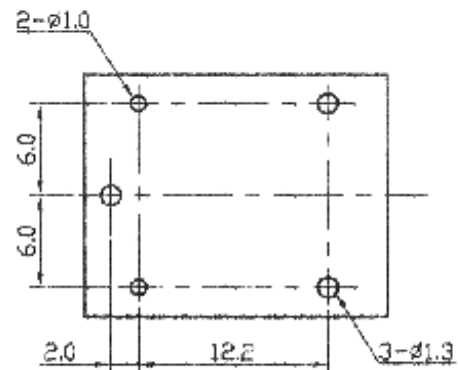
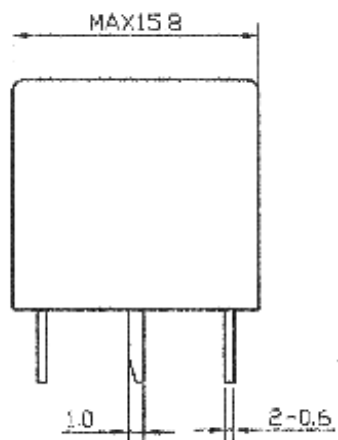
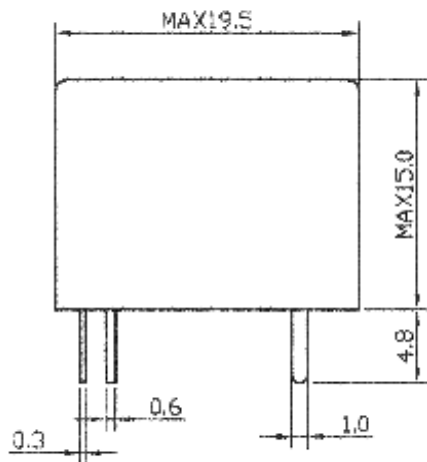
(1) (2)

(1) Relay Model

(2) Coil Voltage

Mark: SC

SHORI Electric Co., Ltd



注: 1.未注公差±0.2
2.单位mm

						镀涂						
版次						S3/S3H-SPDT 脚位图		R0003-1				
第1版		更改标记	数量	更改单号	签名			日期	等级	标记	重量	比例
底图总号		设计			陈江			07.7.9				2.5:1
		绘图			吴芳			07.7.9				
		审核			ATFL	7.10.07						
日期	签名							第 1 张		共 1 张		
		标准化							东莞谢岗胜力电子厂			
		批注										