

**92**mm sq.

# San Ace 92



## General Specifications

- Material ..... Frame: Plastics (Flammability: UL94V-0),  
Impeller: Plastics (Flammability: UL94V-0)
- Expected Life ..... Refer to specifications (L10: Survival rate: 90% at 60°C ,  
rated voltage, and continuously run in a free air state)
- Lead Wire ..... ⊕red ⊖black (Sensor) yellow (Control) brown
- Storage Temperature ..... -30°C to +70°C (Non-condensing)

**92×92×38**mm (Mass : 240g) **9GA** type **Low Power Consumption Fan**



**Specifications** The following nos. **have PWM controls, pulse sensors, and ribs.** For ribless, append "1" to the model no.

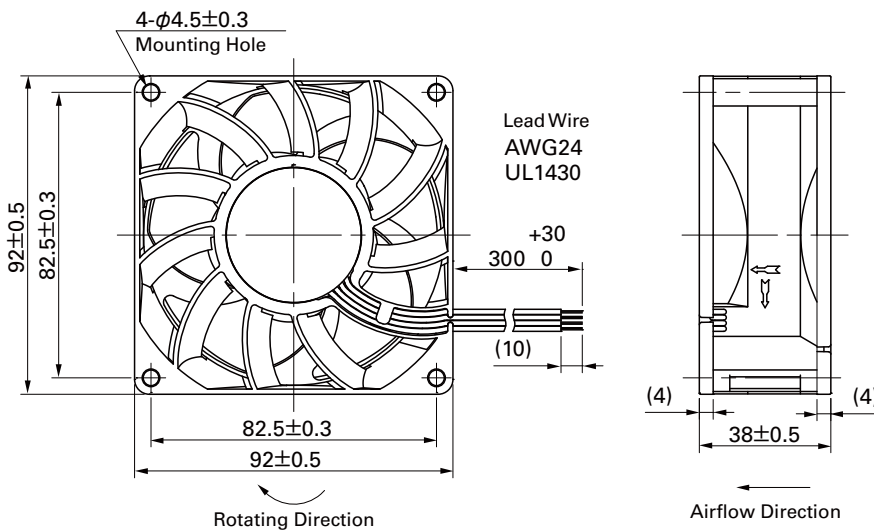
Model No.	Rated Voltage [V]	Operating Voltage Range [V]	PWM duty cycle* [%]	Rated Current [A]	Rated Input [W]	Rated Speed [min <sup>-1</sup> ]	Max. Airflow [m <sup>3</sup> /min] [CFM]	Max. Static Pressure [Pa] [inchH <sub>2</sub> O]	SPL [dB(A)]	Operating Temperature [°C]	Expected Life <sup>max</sup> [h]
<b>9GA0912P1H03</b>	12	10.2 to 13.8	100	2.10	25.2	9,700	4.00 141	500 2.01	63	-20 to +70	40,000/60°C (70,000/40°C)
			0	0.16	1.92	2,500	0.97 34.3	33 0.13	29		
<b>9GA0924P1H01</b>	24	20.4 to 27.6	100	1.1	26.4	9,700	4.00 141	500 2.01	63	-10 to +70	
			0	0.07	1.68	2,500	0.97 34.3	33 0.13	29		
<b>9GA0948P1H03</b> (Note1)	48	40.8 to 55.2	100	0.55	26.4	9,700	4.00 141	500 2.01	63	-20 to +70	

Note 1: Rated voltage 48V fans do not rotate when PWM duty cycle is 0%.  
Note 2: Expected life at 40°C ambient is just reference value.

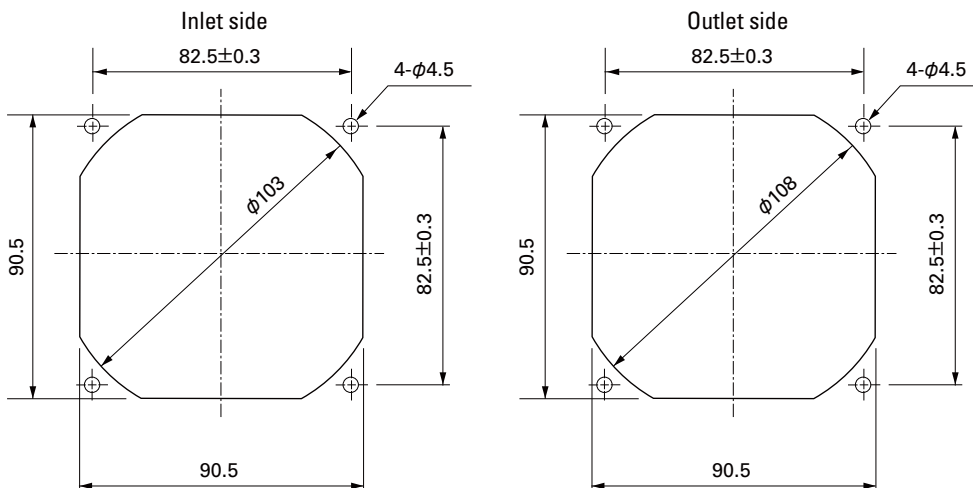
※PWM Frequency : 25kHz

Models without sensors, or with pulse sensors (no PWM control function), or lock sensors are available as options. Please refer to the index (p. 476).

## Dimensions (unit: mm) (With ribs)



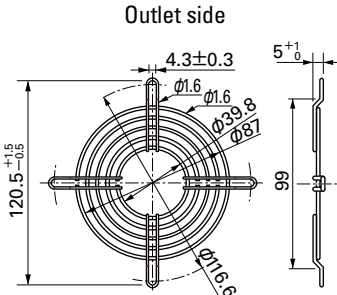
## Reference Dimensions of Mounting Holes and Vent Opening (unit: mm)



Options (unit: mm)

**Finger Guards**

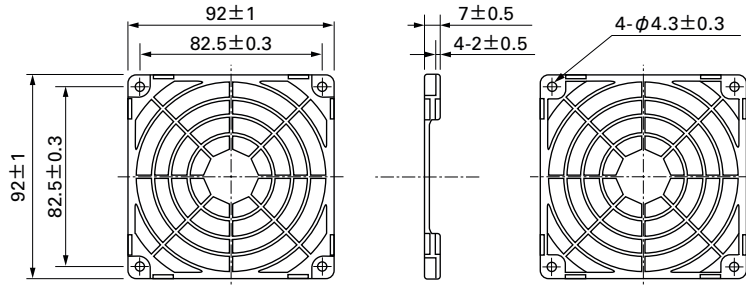
Model : 109-099C Color : Nickel-chrome plating (silver)



Mass : 22g

**Resin Finger Guards**

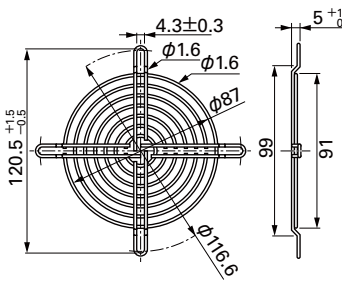
Model : 109-1001G



Mass : 12g

Model : 109-099E Color : Nickel-chrome plating (silver)  
Model : 109-099H Color : Cation electropainting (black)

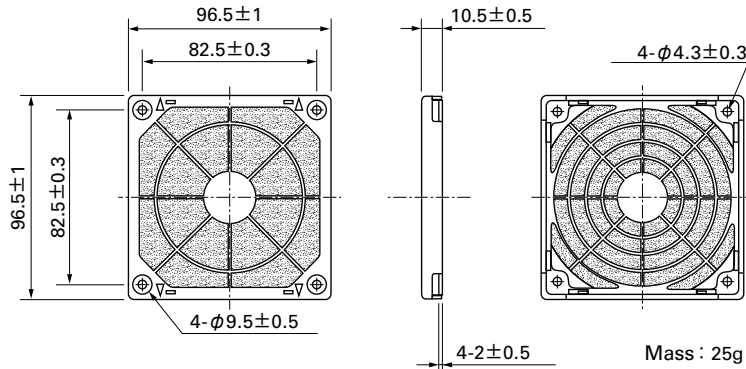
**Inlet side, Outlet side**



Mass : 29g

**Resin Filter Kits**

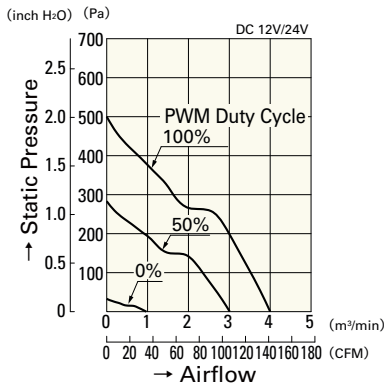
Model : 109-1001F13 (13PPI), 109-1001F20 (20PPI)  
Model : 109-1001F30 (30PPI), 109-1001F40 (40PPI)



Mass : 25g

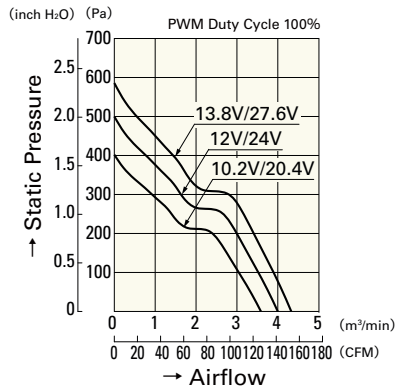
**Airflow - Static Pressure Characteristics**

**PWM Duty Cycle**



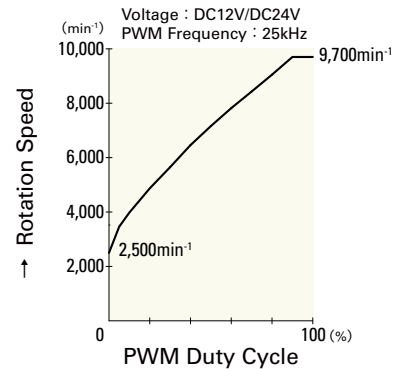
**9GA0912P1H03**  
**9GA0924P1H01**

**Operating Voltage Range**

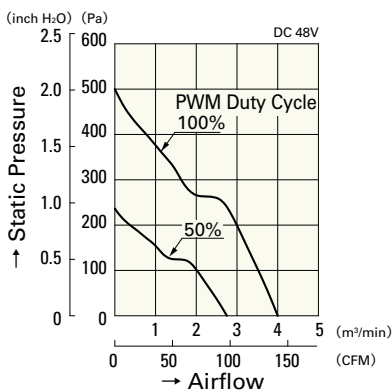


**9GA0912P1H03**  
**9GA0924P1H01**

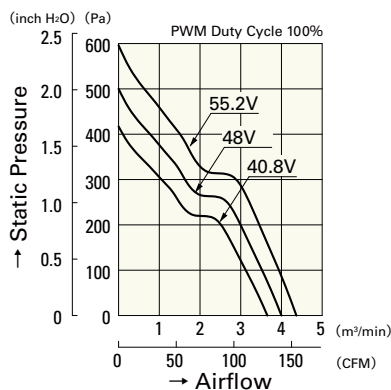
**PWM Duty - Speed Characteristics Example**



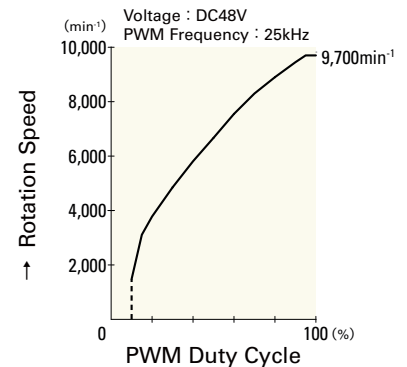
**9GA0912P1H03**  
**9GA0924P1H01**



**9GA0948P1H03**



**9GA0948P1H03**



**9GA0948P1H03**