



**PARA LIGHT ELECTRONICS CO., LTD.**

11F, No.8, Jiankang Rd,Zhonghe Dist,New Taipei City 253, Taiwan

Tel: 886-2-2225-3733

Fax: 886-2-2225-4800

E-mail: [para@para.com.tw](mailto:para@para.com.tw)

<http://www.para.com.tw>

DATA SHEET

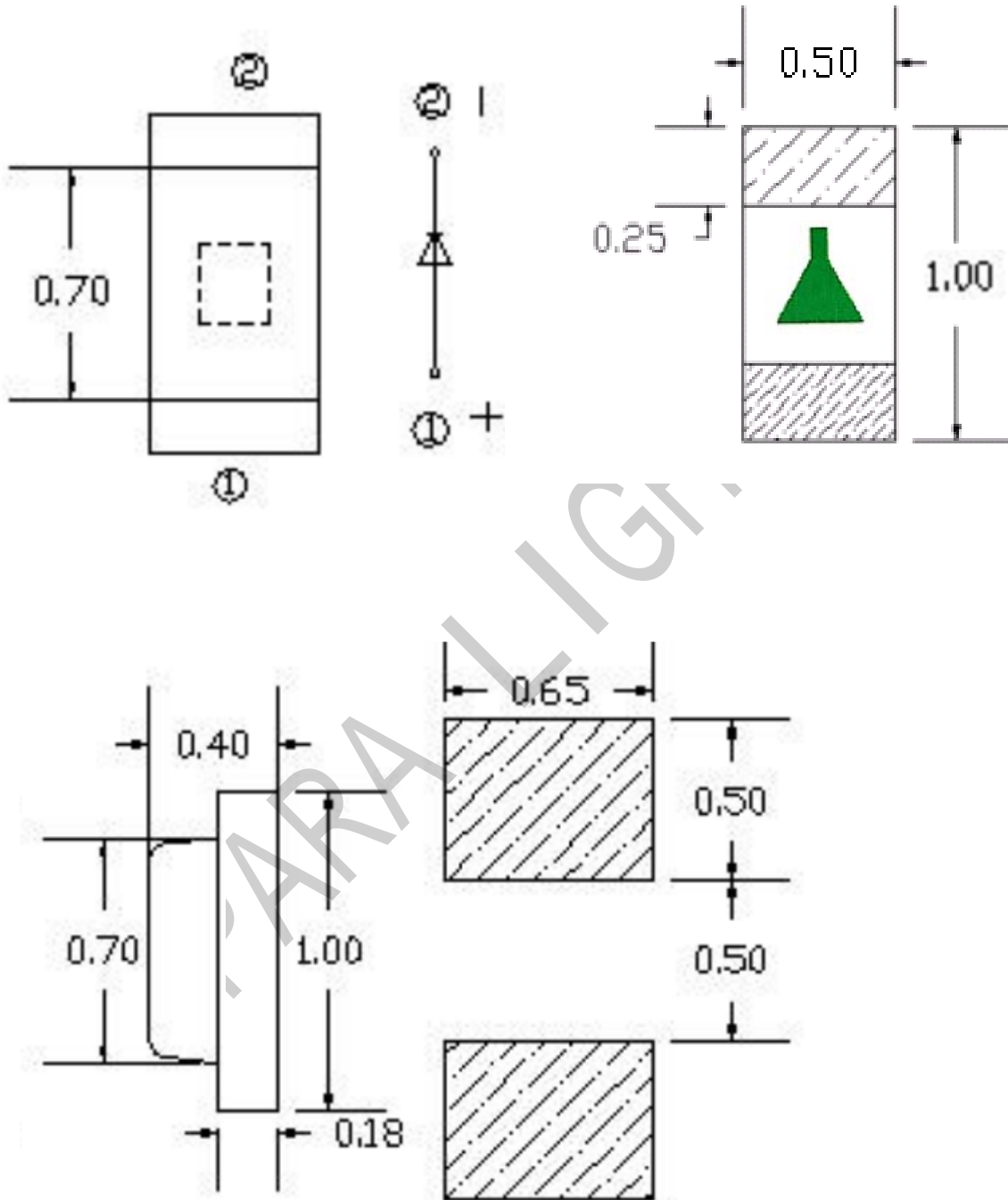
PART NO. : SZC292QRCT

REV : A / 1

CUSTOMER'S APPROVAL : \_\_\_\_\_

DCC : \_\_\_\_\_

PACKAGE DIMENSIONS



Notes:

1. All dimensions are in millimeters
2. Tolerance is  $\pm 0.10$  mm unless otherwise noted

**FEATURES**

- ✚ Package ( L/W/H ) : 1.0\*0.5\*0.4 mm
- ✚ Color: Red light
- ✚ Lens: Transparent planar colloid
- ✚ EIA STD Package
- ✚ Meet ROHS, Green Product
- ✚ Compatible With SMT Automatic Equipment
- ✚ Compatible With Infrared Reflow Solder Process

**ABSOLUTE MAXIMUM RATING : ( Ta = 25°C )**

SYMBOL	PARAMETER	Rating	UNIT
If	Forward Current	25	mA
Ifp	Peak Forward Current (1/10 duty cycle 0.1ms)	60	mA
VR	Reverse Voltage	5	V
PD	Power Dissipation	60	°C
Topr	Operating Temperature Range	-40 ~ + 85	°C
Totg	Storage Temperature Range	-40 ~ + 85	°C
Tsol	Soldering Temperature	Reflow Soldering 260°C For 10 SEC Reflow Soldering 300°C For 3 SEC	

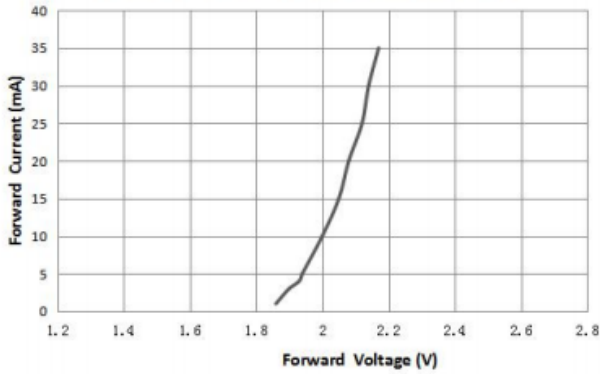
**ELECTRO-OPTICAL CHARACTERISTICS : ( Ta = 25°C )**

Parameter	Symbol	Min.	Typ.	Max.	Unit	Test Condition
Luminous Intensity	Iv		145		mcd	IF=20mA
Viewing Angle	2θ1/2		120		deg	IF=20mA
Dominant Wavelength	λd	615		633	nm	IF=20mA
Peak Wavelength	λp	625		645	nm	IF=20mA
Forward Voltage	VF	1.8		2.4	V	IF=20mA
Spectral Line Half-Width	Δλ		20		nm	IF=20mA
Reverse Current	IR			5	μA	VR=5V

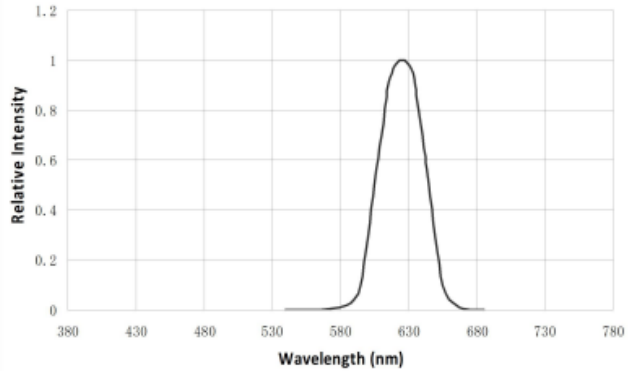
Typical Electro-Optical Characteristics Curves

25°C Ambient Temperature Unless Otherwise Noted

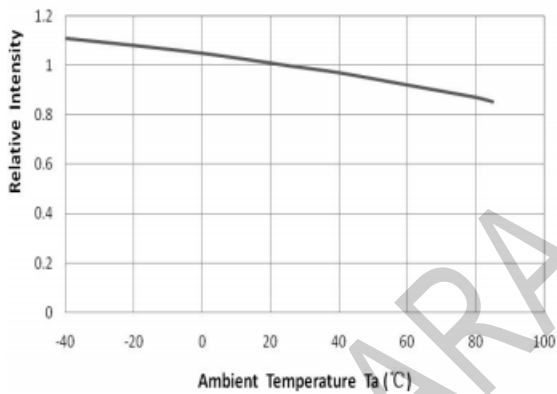
Forward Current VS. Forward Voltag (Ta=25°C)



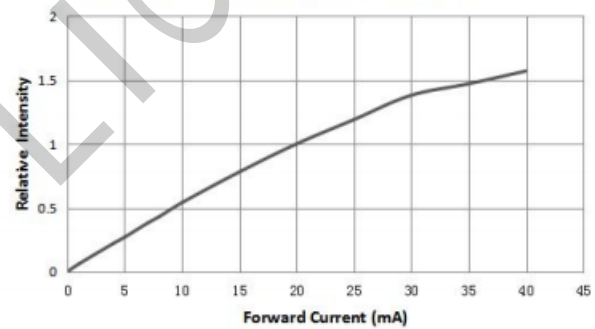
Spectrum Distribution (Ta=25°C)



Relative Intensity VS. Ambient Temperature (Ta=25°C)



Relative Intensity VS. Forward Current (Ta=25°C)



Maximum Forward Current VS. Ambient temperature

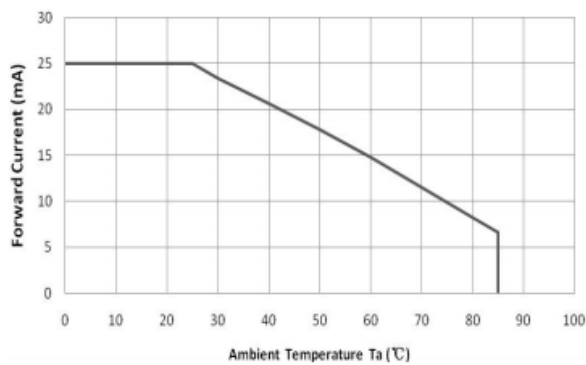
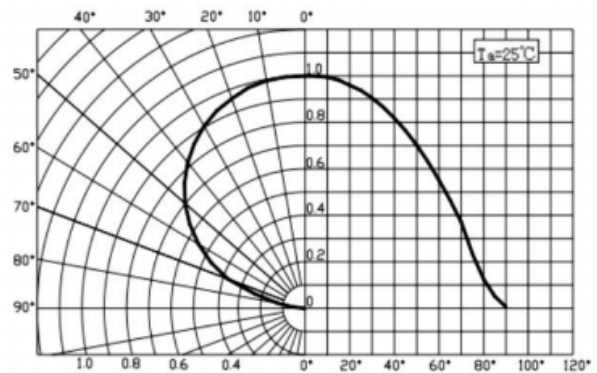


Diagram characteristics of radiation





1.0\*0.5\*0.4 mm SMD LED

SZC292QRCT

REV:A / 1

**Bin Range of Luminous Intensity**

Bin	Min	Max	Unit	Condition
P19	85	100	mcd	IF=20MA
P20	100	120		
P21	120	145		
P22	145	175		
P23	175	210		

Note: Tolerance of Luminous Intensity:  $\pm 10\%$

**Bin Range of Forward Voltage**

Bin	Min	Max	Unit	Condition
VE	1.8	1.9	V	IF=20MA
VF	1.9	2.0		
VG	2.0	2.1		
VH	2.1	2.2		
VI	2.2	2.3		
VJ	2.3	2.4		

Note: Tolerance of Forward Voltage:  $\pm 0.05V$ .

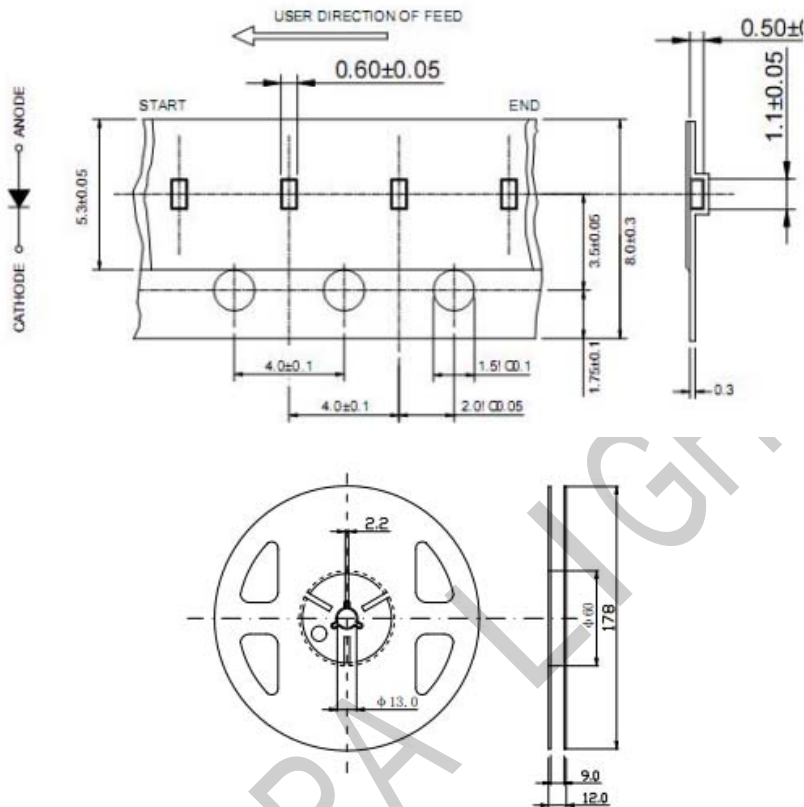
**Bin Range of Wavelength**

Bin	Min	Max	Unit	Condition
R1	615	618	NM	IF=20MA
R2	618	621		
R3	621	624		
R4	624	627		
R5	627	630		
R6	630	633		

Notes: Tolerance of Wavelength:  $\pm 1nm$

### Reel And Tape Dimensions

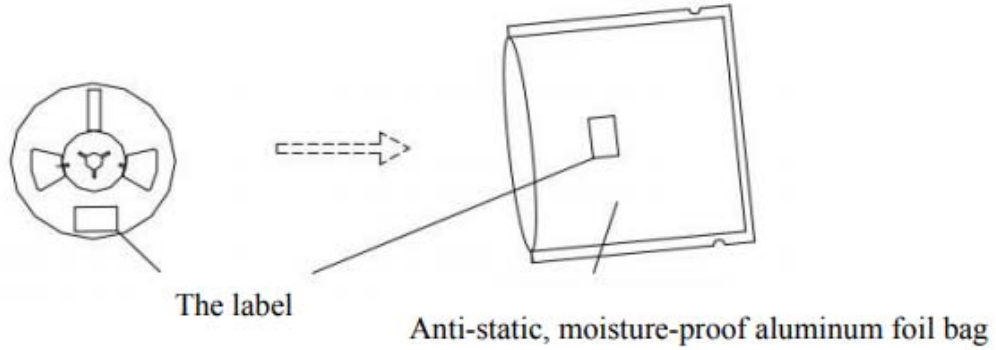
Packing quantity: 4000 PCS/rolls



Notes:

1. All dimensions are in millimeters.
2. Tolerance is  $\pm 0.1$  mm unless otherwise noted

**Label Explanation :**



**Reliability Test Items And Conditions**

Test Item	Ref. Standard	Test Condition	Time	Quantity	Accepted/Rejected
Reflow	JESD22-B106	Temp:255°C max T=10 sec	2times	22	0/1
Thermal Shock	JESD22-A106	-40°C 15min ↑ ↓ 100°C 15min	300 cycles	22	0/1
High Temperature Storage	JESD22-A103	Temp:100°C	1000Hrs.	22	0/1
Low Temperature Storage	JESD22-A119	Temp:-40°C	1000Hrs.	22	0/1
Life Test	JESD22-A108	Ta=25°C IF=20mA	1000Hrs.	22	0/1

Criteria For Judging Damage

Test Items	Symbol	Test Condition	Judging For Damage	
			Min.	Max.
Forward Voltage	VF	IF=20mA	-	U.S.L*)x1.1
Reverse Current	IR	VR = 5V	-	U.S.L*)x2.0
Luminous Intensity	Mcd	IF=20mA	L.S.L*)x0.7	

U.S.L: Upper standard level

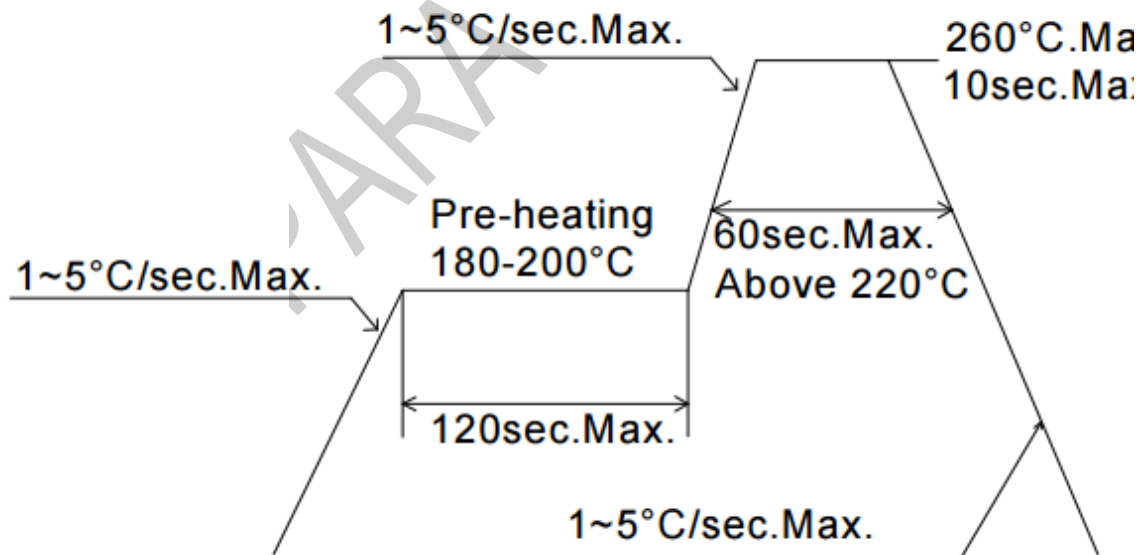
L.S.L: Lower standard level

Note :

The Reliability tests are based on YONGYU existing test platform

Soldering Profile Suggested

lead-free solder





**Cautions :****welding**

1. SMD LED is soft and easy to damage the luminous surface and plastic shell by external force.  
It should be handled lightly when welding
2. It is recommended to use soldering flux with tin wash type, reflow soldering according to the condition of reflux curve, reflow twice at most, ensure the LED luminous surface is clean, foreign matter will affect the luminous color ◦
3. Manual welding is only recommended for repair and heavy industry; The maximum welding temperature should not exceed 300 degrees, and must be completed within 3 seconds (manual welding can only be welded once) soldering iron maximum power should not exceed 25W.
4. During the soldering process, do not touch the lens at high temperature ◦ After soldering, any mechanical force on the lens or any excessive vibration shall not be accepted to apply, also the circuit board shall not be bent as well.
5. Please do not use different BIN LED on the same product, otherwise it may cause serious color difference.

**cleaning**

1. No ultrasonic cleaning. It is recommended to use isopropyl alcohol, pure alcohol to wipe or soak, not more than 1 minute, and leave at room temperature for 15 minutes before use. After cleaning, make sure the LED luminous surface is clean and the foreign matter will affect the luminous color ◦
2. LED. Avoid touching or contaminating the water, trichloroethylene, acetone, sulfide, nitride, acid, alkali, and salts that can damage leds

**embedment**

1. Volatile substances to leach into the LED inside, photons in electricity and heat conditions, will lead to the LED color, thus causing serious droop, it is forbidden to use any of the LED device performance or reliability of harmful substances or materials, for a specific purpose and use of the environment, advice on all the material and the material compatibility test. When attaching LED, do not use adhesive that can produce volatile organic gas.
2. It is recommended to light up for 168 hours at room temperature for a small amount of test before using normal filling and sealing glue ◦

**save**

1. Before opening the package, LED should be stored in a temperature 30 °C or below, under RH60 % relative humidity, used in a year ◦
2. LED is humidity sensitive element, element to avoid moisture absorption, after open the packing, the LED should be in temperature 30 °C or below, within 60% relative humidity, using time 7 days. After moisture absorption, LED may crack when reflow soldering, influence the luminous color. For bulk is not used, please deal with the tide (for package product: bake 60 °C + / - 5 °C / 24 h. For bulk goods: baking 105 °C + 5 °C, 1 hours), and then save after sealed with aluminum foil bag or stored in nitrogen moistureproof enclosure
3. Avoid the presence of acid, alkali and corrosive gas in the preservation environment, and avoid strong vibration and strong magnetic field ◦

**electrostatic**

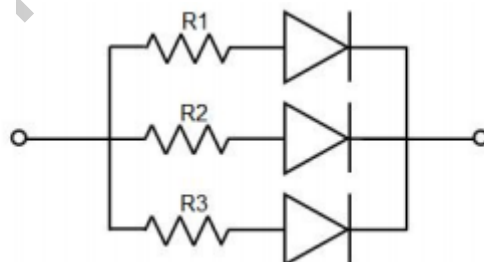
1. Static electricity or peak surge voltage will damage the LED, avoiding instantaneous voltage when the lamp is turned on or off ◦
2. It is recommended to wear anti-static wrist bands, anti-static gloves and anti-static shoes when using LED. The equipment and instruments used are properly grounded. After the LED was damaged, the leakage current increased obviously, the forward voltage of low current became lower, and the low current point did not light, etc

**test**

1. LED shall be driven at rated current, and shall be protected by current-limiting resistance in the circuit. Otherwise, slight voltage changes will cause large current changes, which will damage the LED.
2. When the circuit is on or off, avoid sudden surge voltage. Otherwise, the LED will be burnt out  
Please check the LED as shown



3. If the forward voltage VF is too high or the reverse voltage VR is too high, the LED will be damaged.
4. When lighting or testing the LED, the reverse voltage added on both ends of the LED shall not be higher than 5V, otherwise it is easy to damage the LED
5. LED luminous color will vary slightly with the working current. It is suggested that resistance and LED should be used in series in the design



6. LED is easy to change due to its own heat and changes in the temperature of the environment. The increase in temperature will reduce the luminous efficiency of LED, which will affect the luminous color. Heat dissipation should be fully considered in the design