

Lonten N-channel 40V, 120A, 2.5mΩ Power MOSFET

<p>Description These N-Channel enhancement mode power field effect transistors are using split gate trench DMOS technology. This advanced technology has been especially tailored to minimize on-state resistance, provide superior switching performance, and with stand high energy pulse in the avalanche and commutation mode. These devices are well suited for high efficiency fast switching applications.</p> <p>Features</p> <ul style="list-style-type: none"> ◆ 40V, 120A, $R_{DS(on),max} = 2.5m\Omega @ V_{GS} = 10V$ ◆ Improved dv/dt capability ◆ Fast switching ◆ 100% EAS Guaranteed ◆ Green device available <p>Applications</p> <ul style="list-style-type: none"> ◆ Motor Drives ◆ UPS ◆ DC-DC Converter 	<p>Product Summary</p> <table style="width: 100%; border: none;"> <tr> <td style="padding: 2px;">V_{DSS}</td> <td style="padding: 2px;">40V</td> </tr> <tr> <td style="padding: 2px;">$R_{DS(on),max} @ V_{GS}=10V$</td> <td style="padding: 2px;">2.5mΩ</td> </tr> <tr> <td style="padding: 2px;">I_D</td> <td style="padding: 2px;">120A</td> </tr> </table> <p>Pin Configuration</p> <div style="text-align: center;"> <p>TO-220 TO-252 TO-251 DFN3x3</p> </div> <div style="text-align: right; margin-top: 20px;"> <p style="text-align: center;">N-Channel MOSFET</p> <div style="text-align: right;"> </div> </div>	V_{DSS}	40V	$R_{DS(on),max} @ V_{GS}=10V$	2.5mΩ	I_D	120A
V_{DSS}	40V						
$R_{DS(on),max} @ V_{GS}=10V$	2.5mΩ						
I_D	120A						

Absolute Maximum Ratings $T_C = 25^\circ C$ unless otherwise noted

Parameter	Symbol	Value	Unit
Drain-Source Voltage	V_{DSS}	40	V
Continuous drain current ($T_C = 25^\circ C$) ¹⁾	I_D	120	A
Continuous drain current ($T_C = 100^\circ C$)		81	A
Pulsed drain current ²⁾	I_{DM}	360	A
Gate-Source voltage	V_{GSS}	±18	V
Avalanche energy ³⁾	E_{AS}	306	mJ
Power Dissipation ($T_C = 25^\circ C$)	P_D	57.6	W
Storage Temperature Range	T_{STG}	-55 to +150	°C
Operating Junction Temperature Range	T_J	-55 to +150	°C

Thermal Characteristics

Parameter	Symbol	Value	Unit
Thermal Resistance, Junction-to-Case	$R_{\theta JC}$	1.67	°C/W

Package Marking and Ordering Information

Device	Device Package	Marking
LSGC04R025B	TO-220	LSGC04R025B
LSGG04R025B	TO-252	LSGG04R025B
LSGH04R025B	TO-251	LSGH04R025B
LSGN04R025B	DFN5×6	LSGN04R025B

Electrical Characteristics
 $T_J = 25^\circ\text{C}$ unless otherwise noted

Parameter	Symbol	Test Condition	Min.	Typ.	Max.	Unit
Static characteristics						
Drain-source breakdown voltage	BV_{DSS}	$V_{GS}=0\text{ V}, I_D=250\mu\text{A}$	40	---	---	V
Gate threshold voltage	$V_{GS(th)}$	$V_{DS}=V_{GS}, I_D=250\mu\text{A}$	1.0	1.5	2.2	V
Drain-source leakage current	I_{DSS}	$V_{DS}=40\text{ V}, V_{GS}=0\text{ V}, T_J=25^\circ\text{C}$	---	---	1	μA
Gate leakage current, Forward	I_{GSSF}	$V_{GS}=18\text{ V}, V_{DS}=0\text{ V}$	---	---	100	nA
Gate leakage current, Reverse	I_{GSSR}	$V_{GS}=-18\text{ V}, V_{DS}=0\text{ V}$	---	---	-100	nA
Drain-source on-state resistance	$R_{DS(on)}$	$V_{GS}=10\text{ V}, I_D=50\text{ A}$	---	2.2	2.5	m Ω
		$V_{GS}=4.5\text{ V}, I_D=20\text{ A}$	---	2.9	5	m Ω
Forward transconductance	g_{fs}	$V_{DS}=10\text{ V}, I_D=20\text{ A}$	---	125	---	S
Dynamic characteristics						
Input capacitance	C_{iss}	$V_{DS}=15\text{ V}, V_{GS}=0\text{ V},$ $F=1\text{ MHz}$	---	3550	---	pF
Output capacitance	C_{oss}		---	1790	---	
Reverse transfer capacitance	C_{rss}		---	178	---	
Turn-on delay time	$t_{d(on)}$	$V_{DD}=15\text{ V}, V_{GS}=10\text{ V}, I_D=20\text{ A}$ $R_G=15\Omega$	---	11	---	ns
Rise time	t_r		---	10	---	
Turn-off delay time	$t_{d(off)}$		---	160	---	
Fall time	t_f		---	41	---	
Gate charge characteristics						
Gate to source charge	Q_{gs}	$V_{DS}=15\text{ V}, I_D=15\text{ A},$ $V_{GS}=10\text{ V}$	---	7.7	---	nC
Gate to drain charge	Q_{gd}		---	7.9	---	
Gate charge total	Q_g		---	50	---	
Drain-Source diode characteristics and Maximum Ratings						
Continuous Source Current	I_S		---	---	120	A
Pulsed Source Current ⁴⁾	I_{SM}		---	---	360	A
Diode Forward Voltage	V_{SD}	$V_{GS}=0\text{ V}, I_S=50\text{ A}, T_J=25^\circ\text{C}$	---	0.85	1.2	V
Reverse Recovery Time	t_{rr}	$I_S=I_F, di/dt=100\text{ A}/\mu\text{s}, T_J=25^\circ\text{C}$ ⁵⁾	---	---	96	ns
Reverse Recovery Charge	Q_{rr}		---	---	76.8	nC

Notes:

- 1: The maximum junction current rating is package limited.
- 2: Repetitive Rating: Pulse width limited by maximum junction temperature.
- 3: $V_{DD}=30\text{ V}, V_{GS}=10\text{ V}, L=0.5\text{ mH}, I_{AS}=35\text{ A}, R_G=25\Omega$, Starting $T_J=25^\circ\text{C}$.
- 4: Pulse Test: Pulse Width $\leq 300\ \mu\text{s}$, Duty Cycle $\leq 2\%$.
- 5: Guaranteed by design, not subject to production.

Electrical Characteristics Diagrams

Fig 1: Output Characteristics

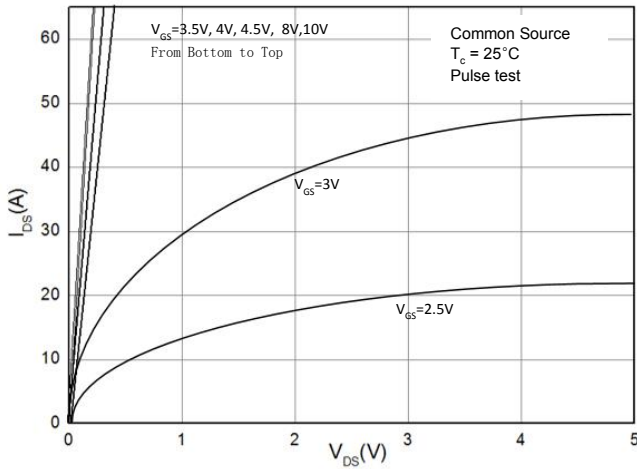


Fig 2: Transfer Characteristics

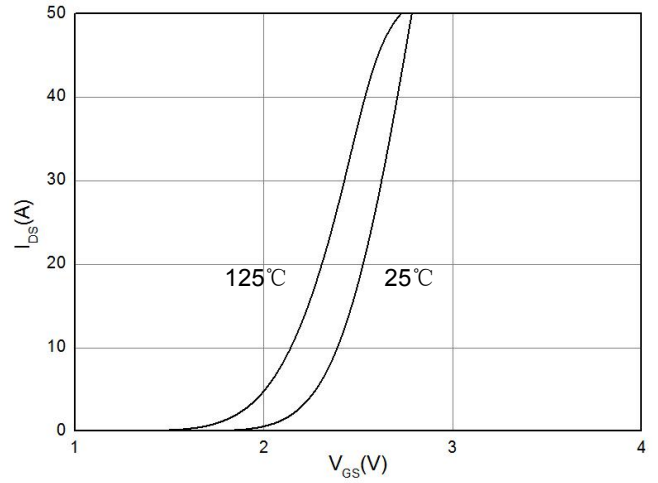


Figure 3. Capacitance Characteristics

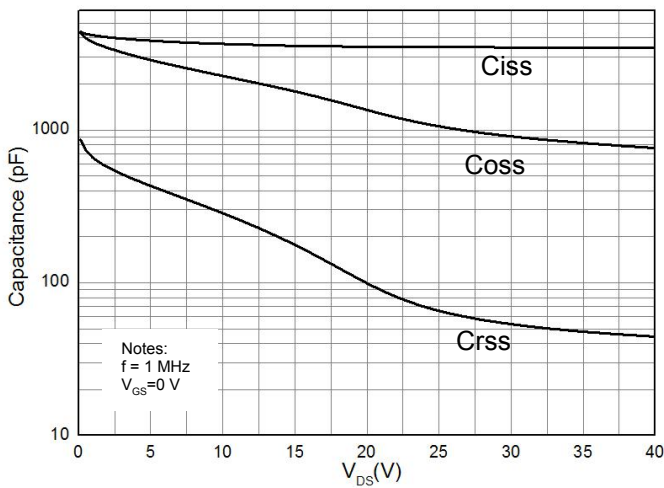


Figure 4. Gate Charge Waveform

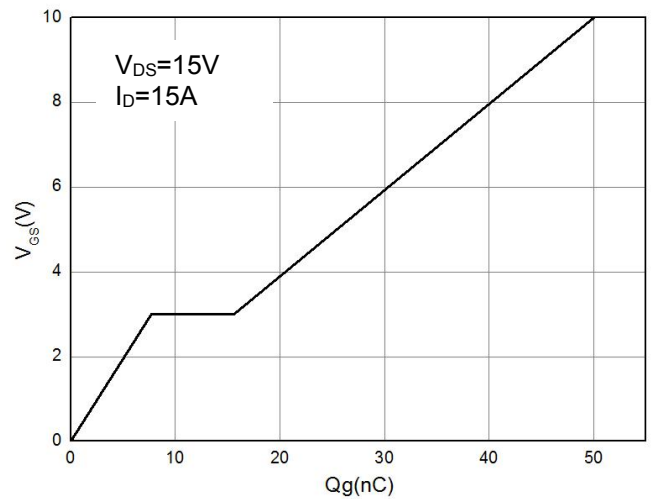


Figure 5. Body-Diode Characteristics

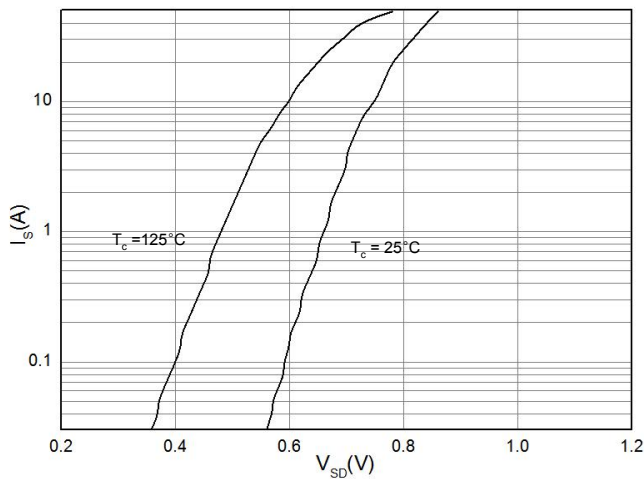


Figure 6. Rds(on)-Drain Current

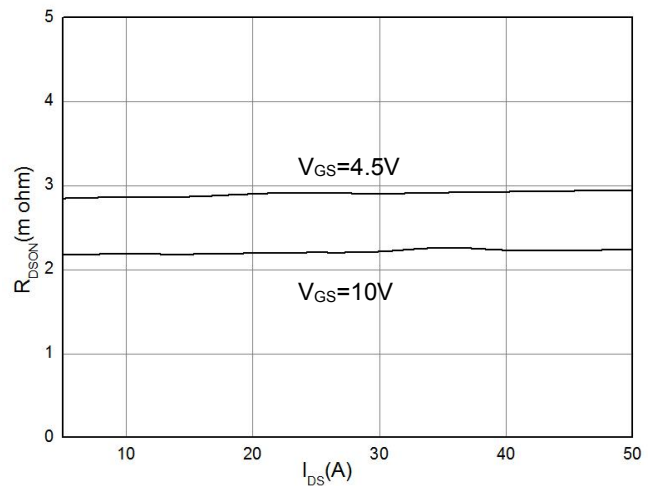


Fig 7: Rds(on) vs Gate Voltage

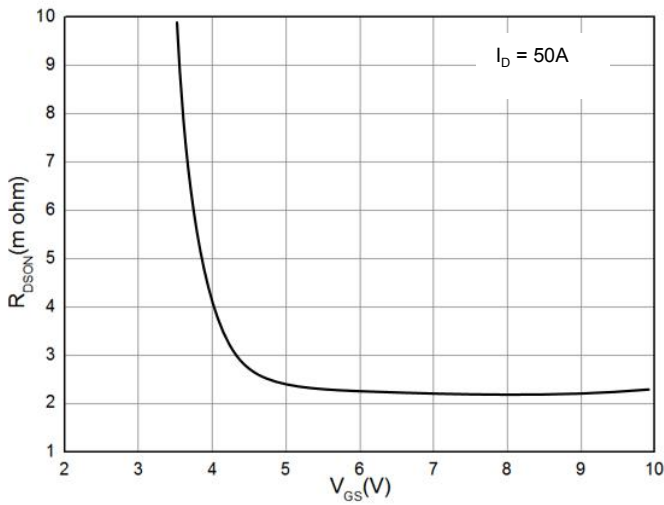


Fig 8: Rds(on)-Junction Temperature(°C)

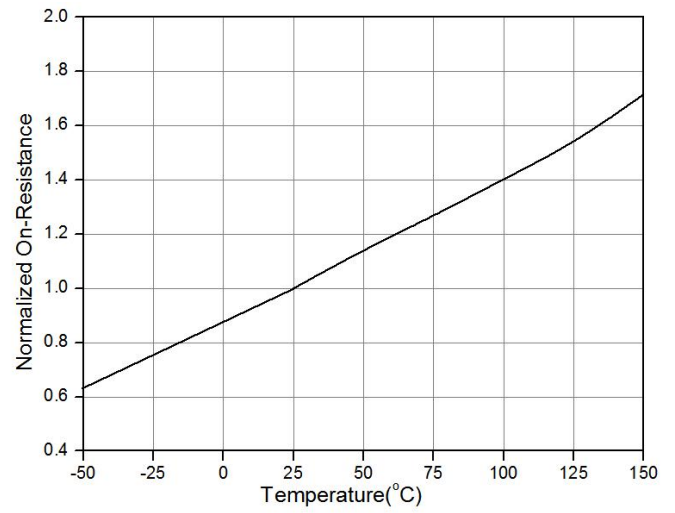


Figure 9. BVdss vs. Junction temperature

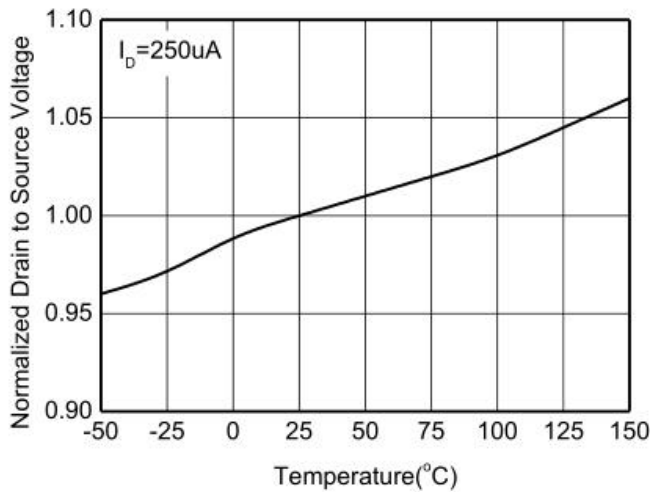


Figure 10. Maximum Safe Operating Area

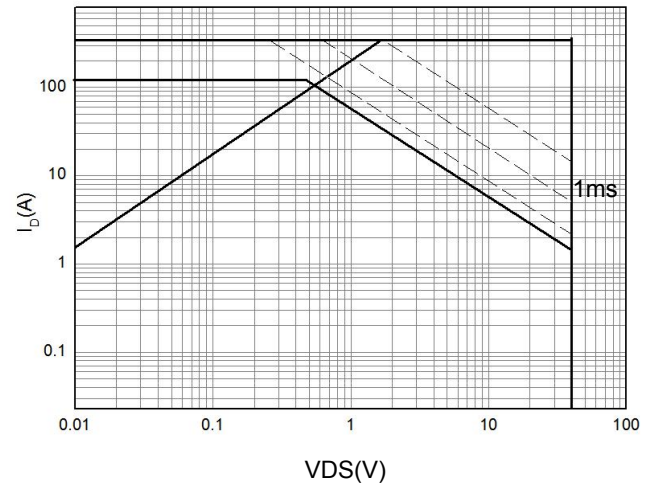
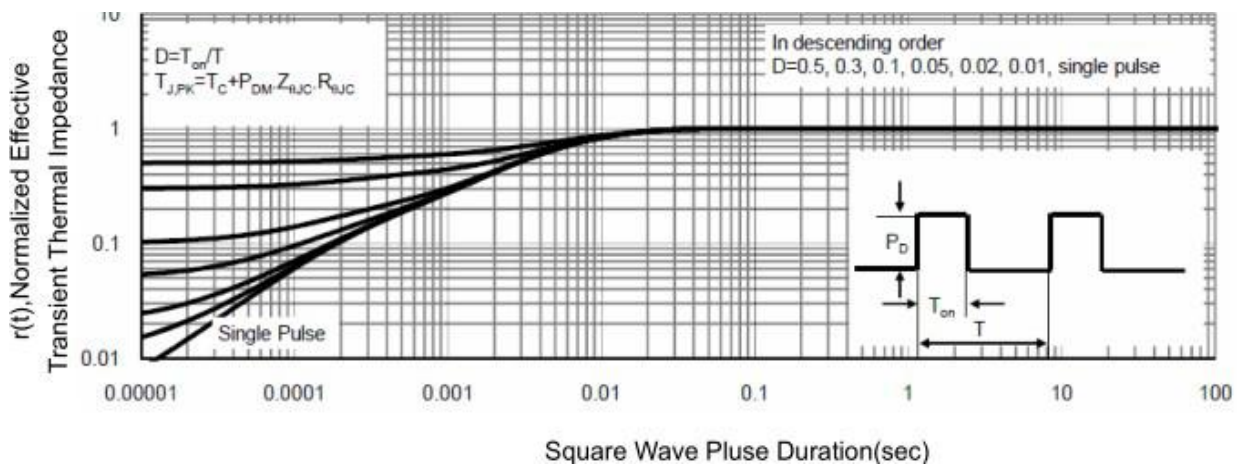


Figure 11. Normalized Maximum Transient Thermal Impedance (RthJC)



Test Circuit & Waveform

Figure 12. Gate Charge Test Circuit & Waveform

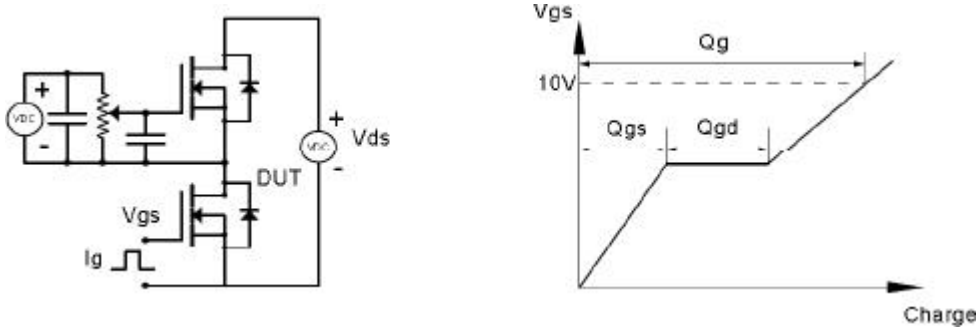


Figure 13. Resistive Switching Test Circuit & Waveforms

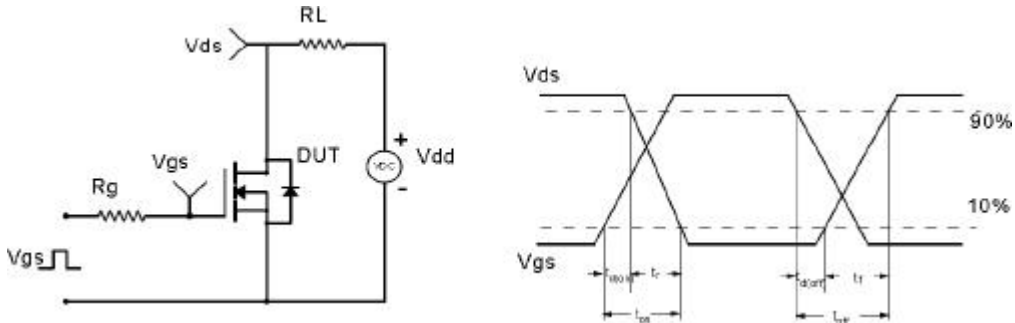


Figure 14. Unclamped Inductive Switching (UIS) Test Circuit & Waveform

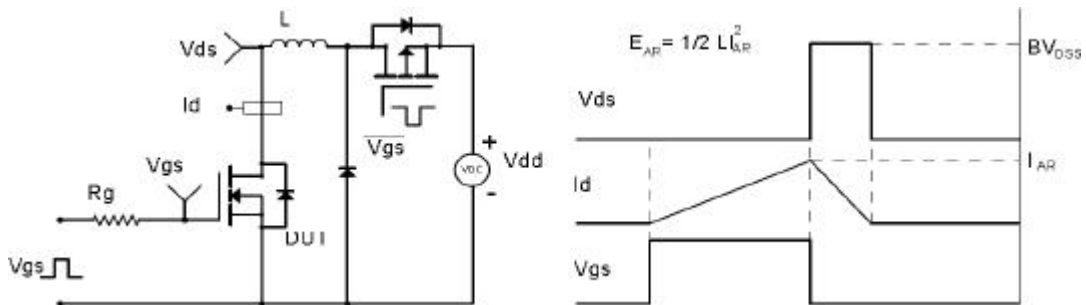
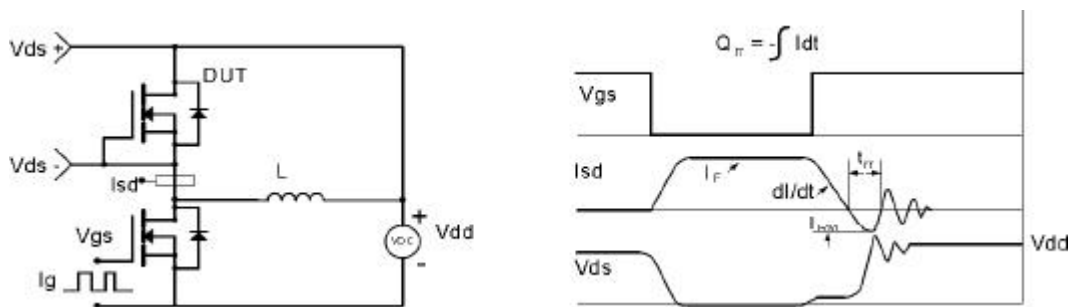
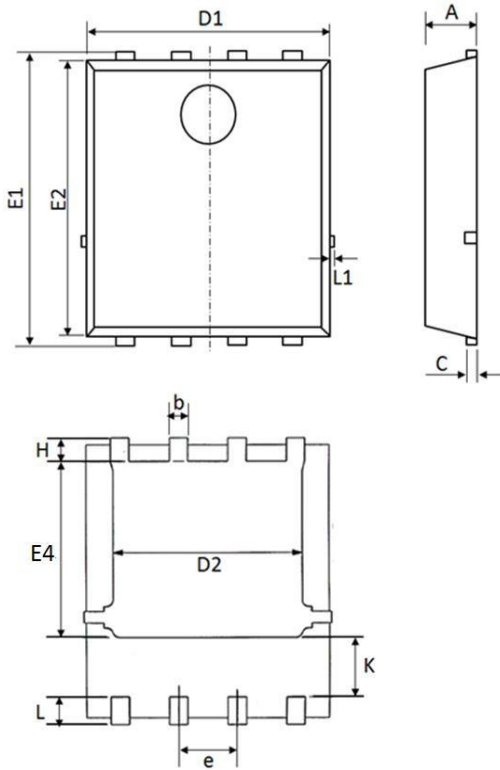


Figure 15. Diode Recovery Circuit & Waveform

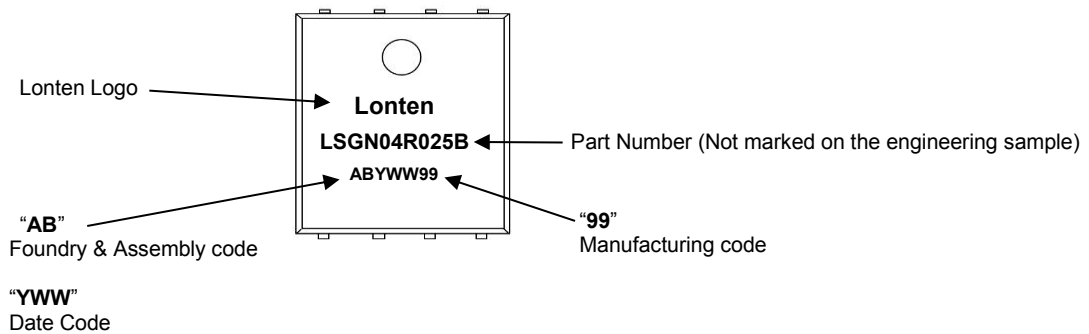


Mechanical Dimensions for DFN5×6



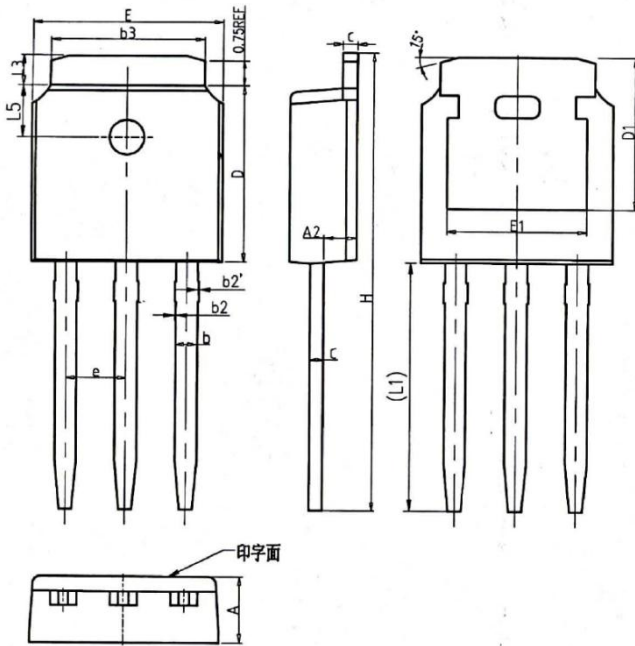
COMMON DIMENSIONS						
SYMBOL	MILLIMETERS			INCHS		
	MIN	NOM	MAX	MIN	NOM	MAX
A	1	1.1	1.2	0.039	0.043	0.047
b	0.3	0.4	0.5	0.012	0.016	0.020
C	0.154	0.254	0.354	0.006	0.010	0.014
D1	5	5.2	5.4	0.197	0.205	0.213
D2	3.8	4.1	4.25	0.150	0.161	0.167
E1	5.95	6.15	6.35	0.234	0.242	0.250
E2	5.66	5.86	6.06	0.223	0.231	0.239
E4	3.52	3.72	3.92	0.139	0.146	0.154
e	1.27 BSC			0.050 BSC		
H	0.4	0.5	0.6	0.016	0.020	0.024
L	0.5	0.6	0.7	0.020	0.024	0.028
L1	-	-	0.12	-	-	0.005
K	1.14	1.29	1.44	0.045	0.051	0.057

DFN5×6 Part Marking Information



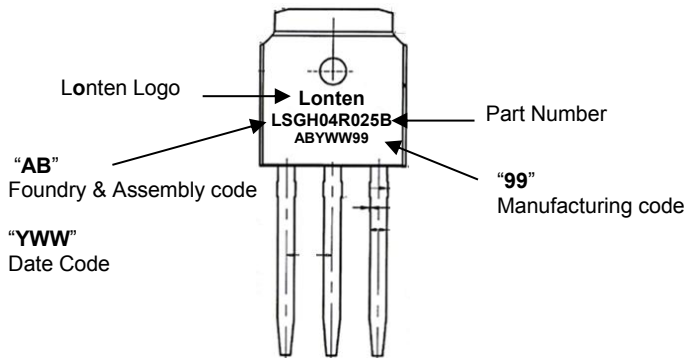
Calendar Year	Year Code	Calendar Week	Week Code
2018	G	Workweek 01	01
2019	H	Workweek 02	02
2020	I	Workweek 03	03
2021	J	Workweek 04	04
2022	K	Workweek 05	05
2023	L	Workweek 06	06
2024	M

Mechanical Dimensions for TO-251



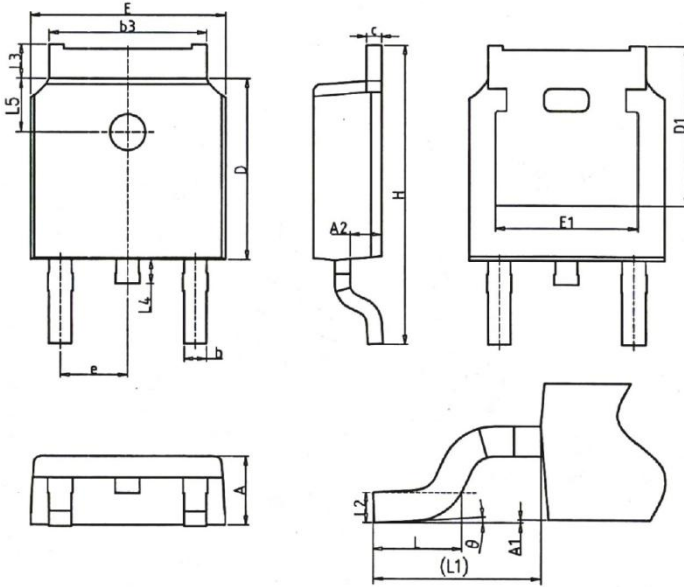
SYMBOL	COMMON DIMENSIONS					
	MM			INCH		
	MIN	NOM	MAX	MIN	NOM	MAX
A	2.20	2.30	2.38	0.087	0.091	0.094
A2	0.97	1.07	1.17	0.038	0.042	0.046
b	0.68	0.78	0.90	0.027	0.031	0.035
b2	0.00	0.04	0.10	0.000	0.002	0.004
b2'	0.00	0.04	0.10	0.000	0.002	0.004
b3	5.20	5.33	5.46	0.205	0.210	0.215
c	0.43	0.53	0.61	0.017	0.021	0.024
D	5.98	6.10	6.22	0.235	0.240	0.245
D1	5.30REF			0.209REF		
E	6.40	6.60	6.73	0.252	0.260	0.265
E1	4.63	-	-	0.182	-	-
e	2.286BSC			0.090BSC		
H	16.22	16.52	16.82	0.639	0.650	0.662
L1	9.15	9.40	9.65	0.360	0.370	0.380
L3	0.88	1.02	1.28	0.035	0.040	0.050
L5	1.65	1.80	1.95	0.065	0.071	0.077

TO-251 Part Marking Information



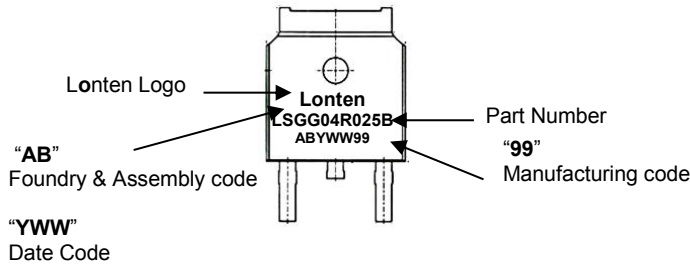
Calendar Year	Year Code	Calendar Week	Week Code
2018	G	Workweek 01	01
2019	H	Workweek 02	02
2020	I	Workweek 03	03
2021	J	Workweek 04	04
2022	K	Workweek 05	05
2023	L	Workweek 06	06
2024	M

Mechanical Dimensions for TO-252



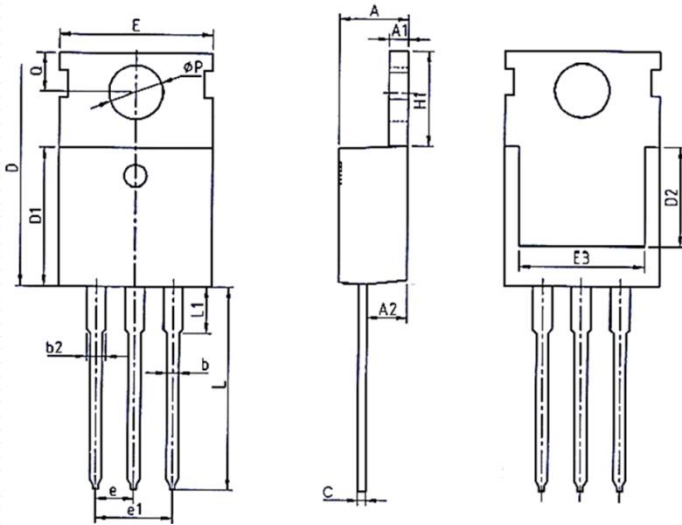
SYMBOL	COMMON DIMENSIONS					
	MM			INCH		
	MIN	NOM	MAX	MIN	NOM	MAX
A	2.20	2.30	2.38	0.087	0.091	0.094
A1	0.00	-	0.20	0.000	-	0.008
A2	0.97	1.07	1.17	0.038	0.042	0.046
b	0.68	0.78	0.90	0.027	0.031	0.035
b3	5.20	5.33	5.46	0.205	0.210	0.215
c	0.43	0.53	0.61	0.017	0.021	0.024
D	5.98	6.10	6.22	0.235	0.240	0.245
D1	5.30REF			0.209REF		
E	6.40	6.60	6.73	0.252	0.260	0.265
E1	4.63	-	-	0.182	-	-
e	2.286BSC			0.090BSC		
H	9.40	10.10	10.50	0.370	0.398	0.413
L	1.38	1.50	1.75	0.054	0.059	0.069
L1	2.90REF			0.114REF		
L2	0.51BSC			0.020BSC		
L3	0.88	-	1.28	0.035	-	0.050
L4	0.50	-	1.00	0.020	-	0.039
L5	1.65	1.80	1.95	0.065	0.071	0.077
θ	0°	-	8°	0°	-	8°

TO-252 Part Marking Information



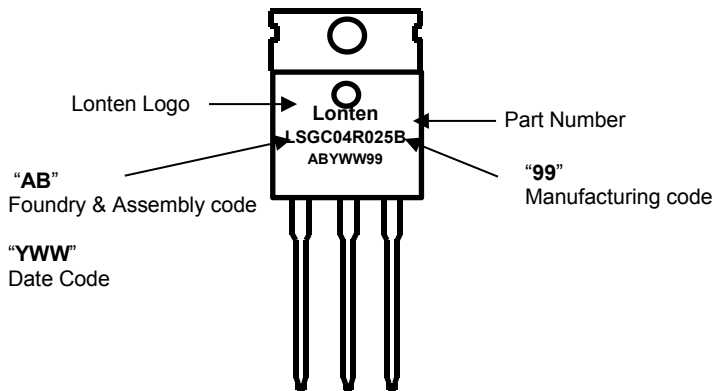
Calendar Year	Year Code	Calendar Week	Week Code
2018	G	Workweek 01	01
2019	H	Workweek 02	02
2020	I	Workweek 03	03
2021	J	Workweek 04	04
2022	K	Workweek 05	05
2023	L	Workweek 06	06
2024	M

Mechanical Dimensions for TO-220



SYMBOL	COMMON DIMENSIONS					
	MM			INCH		
	MIN	NOM	MAX	MIN	NOM	MAX
A	4.37	4.57	4.70	0.172	0.180	0.185
A1	1.25	1.30	1.40	0.049	0.051	0.055
A2	2.20	2.40	2.60	0.087	0.094	0.102
b	0.70	0.80	0.95	0.028	0.031	0.037
b2	1.17	1.27	1.47	0.046	0.050	0.058
c	0.45	0.50	0.60	0.018	0.020	0.024
D	15.10	15.60	16.10	0.594	0.614	0.634
D1	8.80	9.10	9.40	0.346	0.358	0.370
D2	5.50	-	-	0.217	-	-
E	9.70	10.00	10.30	0.382	0.394	0.406
E3	7.00	-	-	0.276	-	-
e	2.54BCS			0.1BSC		
e1	5.08BCS			0.2REF		
H1	6.25	6.50	6.85	0.246	0.256	0.270
L	12.75	13.50	13.80	0.502	0.531	0.543
L1	-	3.10	3.40	-	0.122	0.134
ØP	3.40	3.60	3.80	0.134	0.142	0.150
Q	2.60	2.80	3.00	0.102	0.110	0.118

TO-220 Part Marking Information



Calendar Year	Year Code	Calendar Week	Week Code
2018	G	Workweek 01	01
2019	H	Workweek 02	02
2020	I	Workweek 03	03
2021	J	Workweek 04	04
2022	K	Workweek 05	05
2023	L	Workweek 06	06
2024	M

Disclaimer

The content specified herein is for the purpose of introducing LONTEN's products (hereinafter "Products"). The information given in this document shall in no event be regarded as a guarantee of conditions or characteristics. Examples of application circuits, circuit constants and any other information contained herein illustrate the standard usage and operations of the Products. The peripheral conditions must be taken into account when designing circuits for mass production.

LONTEN does not assume any liability for infringement of patents, copyrights, or other intellectual property rights of third parties by or arising from the use of the Products or technical information described in this document.

The Products are not designed or manufactured to be used with any equipment, device or system which requires an extremely high level of reliability the failure or malfunction of which may result in a direct threat to human life or create a risk of human injury (such as a medical instrument, transportation equipment, aerospace machinery, nuclear-reactor controller, fuel-controller or other safety device). LONTEN shall bear no responsibility in any way for use of any of the Products for the above special purposes.

Although LONTEN endeavors to improve the quality and reliability of its products, semiconductor products have specific characteristics such as the occurrence of failure at a certain rate and malfunctions under certain use conditions. Please be sure to implement safety measures to guard them against the possibility of physical injury, and injury or damage caused by fire in the event of the failure of a LONTEN product.

The content specified herein is subject to change for improvement without notice. When using a LONTEN product, be sure to obtain the latest specifications.