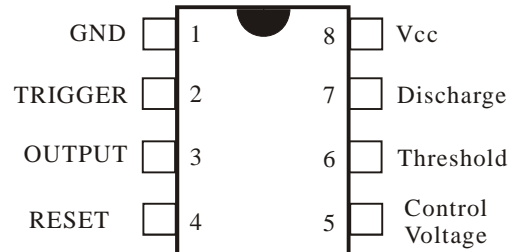


1. DESCRIPTION

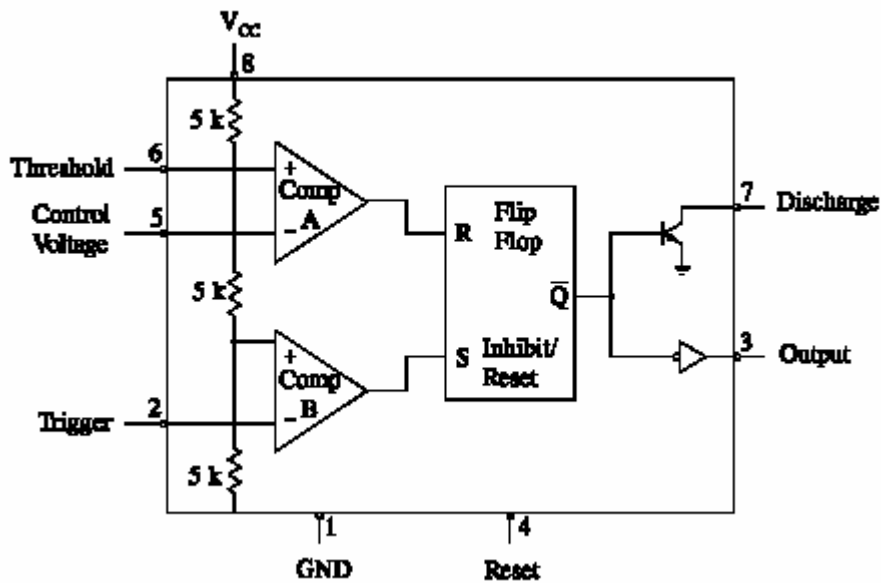
The HT555C monolithic timing circuit is a highly stable controller capable of producing accurate time delays, or oscillation.

2. FEATURE

- Direct Replacement for NE555 Timers
- Timing From Microseconds Through Hours
- Operates in Both Astable and Monostable Modes
- High Current Output Can Source or Sink 200 mA



3. LOGIC DIAGRAM



4. MAXIMUM RATING

Symbol	Parameter	Value	Unit
V_{CC}	Supply Voltage	18	V
T_{stg}	Storage Temperature	-60 to +85	°C

5. RECOMMENDED OPERATING CONDITIONS

Symbol	Parameter	Min	Max	Unit
V_{CC}	Supply Voltage	4.5	16	V
T_A	Operation Temperature, All Package Types	-10	+70	°C

6. ELECTRICAL CHARACTERISTICS (TA = +25°C)

Symbol	Parameter	Test Conditions	Guaranteed Limits		Temperature, °C	Unit	
			Min	Max			
V _{OH}	Output Voltage High	V _{CC} =5.0V, V _{IL} =1.1V V _{IH} =2.6V, I _{OH} =100mA	12.75		25±10 -10~ +70	V	
		V _{CC} =15V, V _{IL} =4.5V V _{IH} =9.0V, I _{OH} =100mA	2.75				
V _{OL}	Output Voltage Low	V _{CC} =5.0V, V _{IL} =2.2V V _{IH} =4.0V, I _{IL} =5.0mA		0.35			V
		V _{CC} =15V, V _{IL} =5.6V V _{IH} =11V, I _{OL} =10mA		0.25			
		V _{CC} =15V, V _{IL} =0V V _{IH} =15V, I _{OL} =50mA		0.75			
		V _{CC} =15V, V _{IL} =0V V _{IH} =15V, I _{OL} =100mA		2.3			
V _{REF}	Reference Voltage	V _{CC} =15V, V _{IH} =11V V _{IL} =0V	9.0	11.0	V		
		V _{CC} =5V, V _{IH} =4V V _{IL} =0V	2.6	4.0			
I _{IL}	Low Level Input Current For pin 04 For pin 02	V _{CC} =15V, V _{IH} =11V V _{IL} =0V		-0.4 -0.002	mA		
I _I	Input Current	V _{CC} =15V, V _{IH} =10V V _{IL} =0V		0.25 0.45		25±10 -10~+70	μA
I _{CC}	Supply Current	V _{CC} =5.0V, V _{IH} =0V V _{IH} =4.0V		6.0	25±10 -10~ +70	mA	
		V _{CC} =15V, V _{IL} =11V V _{IL} =0V		15			
t _{OLH}	Rise Time of Output	V _{CC} =15V		150		ns	
t _{OHL}	Fall Time of Output	V _{CC} =15V		150		ns	

7. SWITCH WAVEFORM
