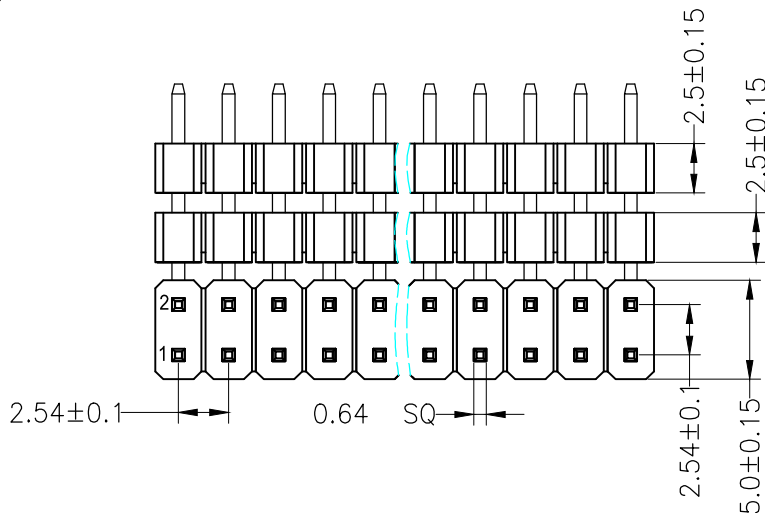
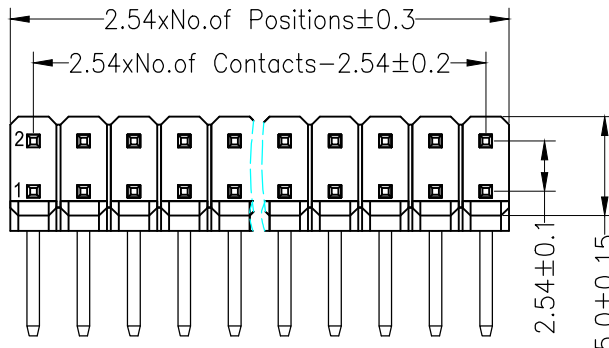


RoHS

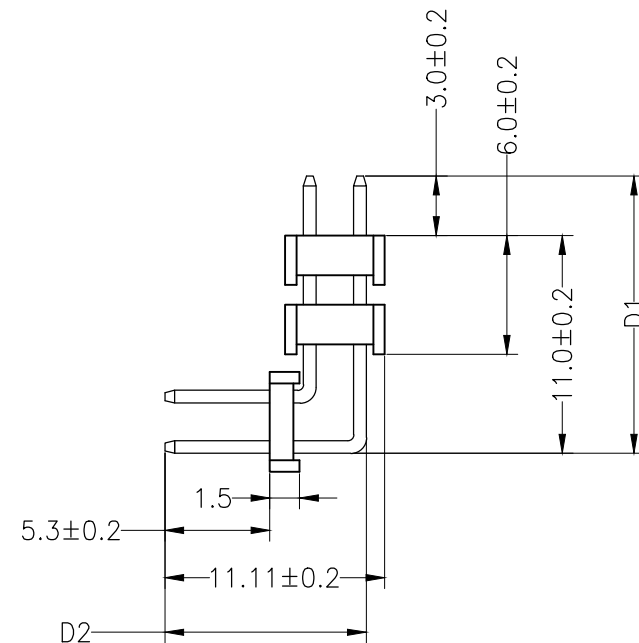
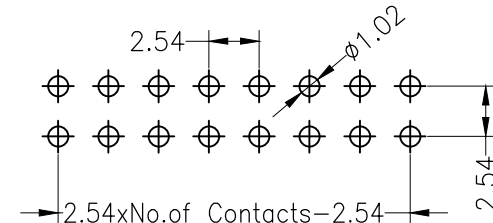
SPECIFICATIONS

Rated Current:3.0AMP
 Contact Resistance:20mΩ Max
 Withstand Voltage:1000V AC/DC
 Insulation Resistance:1000MΩ Min
 Operation Temperature:-40°C to +105°C

Contact Material:Brass
 Contact Plating:Au Over Ni
 Insulator Material:Polyester(UL94V-0)
 Standard: PA6T
 Max.Processing Temp: 230°C for 30-60 seconds
 (260°C for 10 seconds)



Recommended P.C.B Layout(Top Side)
 (PCB BOARD TOLERANCE±0.05)



				OPERATION		DRAW		SCALE	FIT	深圳市连盛精密连接器有限公司	
				X.X	±0.30			UNIT	mm		
						CHECK		SIZE	A4	PART NO. PH-01449	
A0	2012.03.28	NEW DRAWING				APPROVE		SHEET	1/1	TITLE: 2.54PH 3H=2X2.5+1.5 Dual Row 90°	
REV	DATE	MODIFICATION DESCRIPTION		CHANGE	DIM	TOL		PROJ.			