

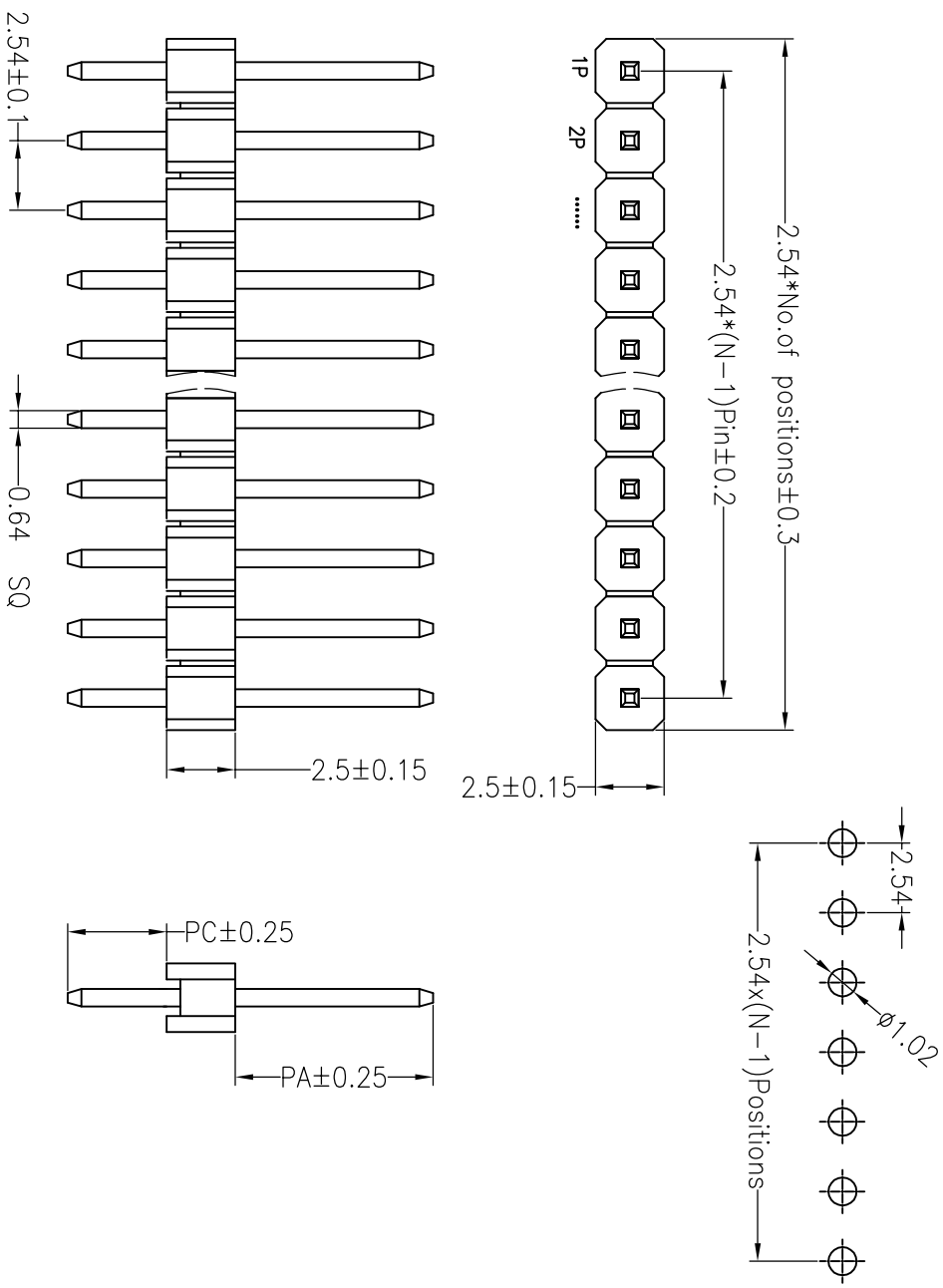
RoHS

SPECIFICATIONS

Rated Current:3.0AMP
 Contact Resistance:20mΩ Max
 Withstand Voltage:1000V AC/DC
 Insulation Resistance:1000MΩ Min
 Operation Temperature:-40°c to +105°c

Contact Material:Brass
 Contact Plating:Au Over Ni
 Insulator Material:Polyester(UL94V-0)
 Standard: PA6T
 Max.Processing Temp: 230°C for 30-60 seconds
 (260°C for 10 seconds)

Recommended P.C.B Layout(Top Side)
 (PCB BOARD TOLERANCE±0.05)



Dimension antitheses list			
ITEM	PA	PC	L
Standard	6.00	3.00	11.50
Alternate			

深圳市连盛精密连接器有限公司

OPERATION		DRAW		SCALE		FIT		PART NO.	
X.X	±0.30			UNIT	mm				
X.XX	±0.20	CHECK		SIZE	A4			B0023-PH-00289	
X.XXX	±0.10			SHEET	1/1				
Angle	±3°	APPROVE		PROJ.					
DIM	TOL								
CHANGE								TITLE:	
DATE		MODIFICATION DESCRIPTION						2.54PH H=2.5 1X40P	
REV									
1		2		3		4		5	
6		7		8		9			