

RoHS

SPECIFICATIONS

Rated Current: 3.0AMP
 Contact Resistance: 20mΩ Max
 Withstand Voltage: 1000V AC/DC
 Insulation Resistance: 1000MΩ Min
 Operation Temperature: -40°C to +105°C

Contact Material: Brass
 Contact Plating: Au(0.8u") Over Ni(30~50u")
 Insulator Material: Polyester(Ul94V-0)
 Standard: PA6T
 Max. Processing Temp: 230°C for 30~60 seconds
 (260°C for 10 seconds)

Ordering Information

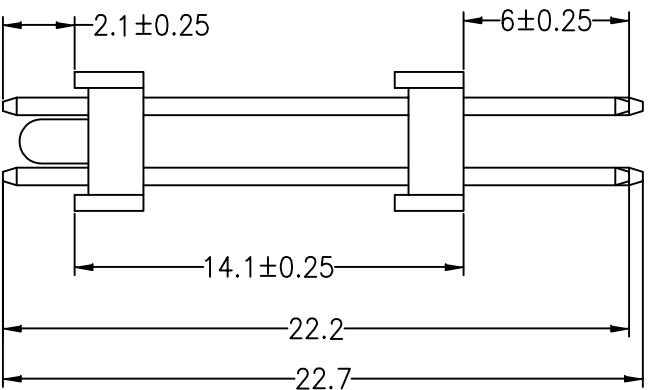
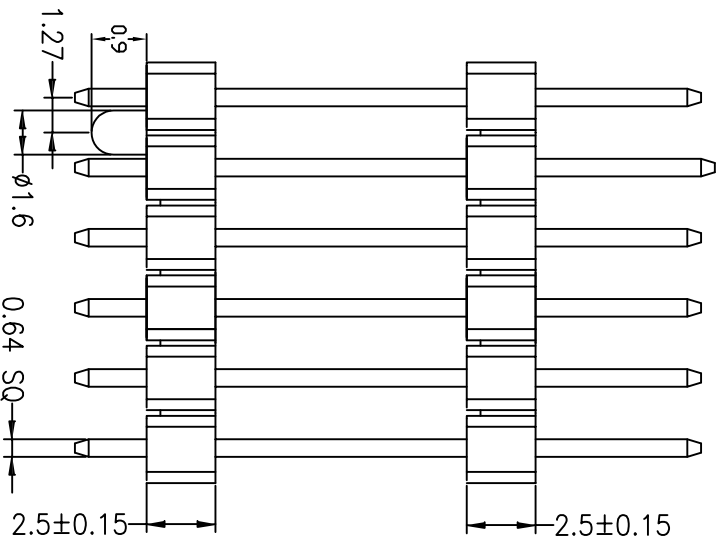
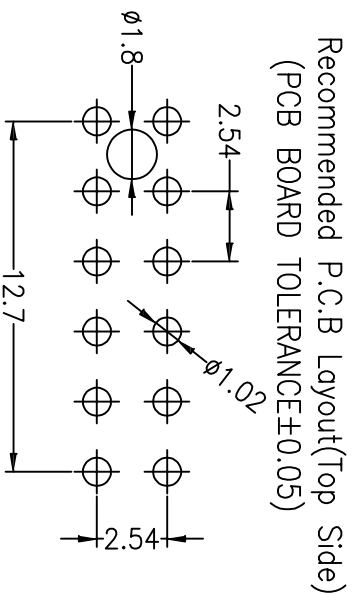
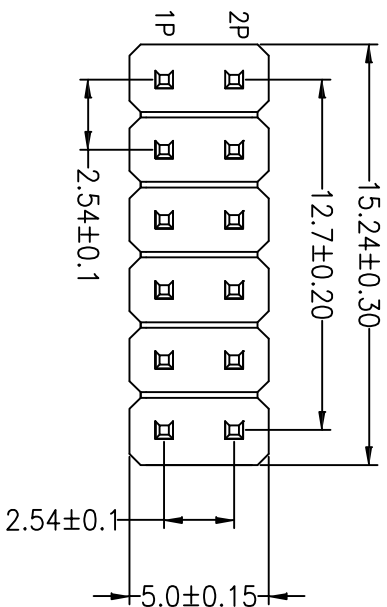
1225 22 06 C W XX S 222 X 01

Insulator Material Option
 A=BK-PBT
 B=BK-PA66
 C=BK-PA6T
 D=BK-PA46
 F=BK-LCP

Contact Plating
 G0:Gold Flash
 G2:5U" Gold
 G3:10U" Gold
 G4:15U" Gold
 G5:30U" Gold
 S0:Gold Flash/Tin
 SN:Tin

Pin Length
 222=22.2mm

Packing
 O=PE Bag
 A=Tray
 T=Tube



深圳市连盛精密连接器有限公司

PART NO. PH-00275---A0006

TITLE: 2.54x2.5PH 2x6P 双翘 180° 带一边注
 第3.4F 高出0.5MM, L=22.7/22.2MM

REV	DATE	MODIFICATION DESCRIPTION	CHANGE	OPERATION		DRAW		SCALE		FIT	PART NO.
				DIM	TOL	ANGLE	CHECK	UNIT	mm		
1	2015.03.10	NEW DRAWING									PH-00275---A0006
											2.54x2.5PH 2x6P 双翘 180° 带一边注 第3.4F 高出0.5MM, L=22.7/22.2MM