

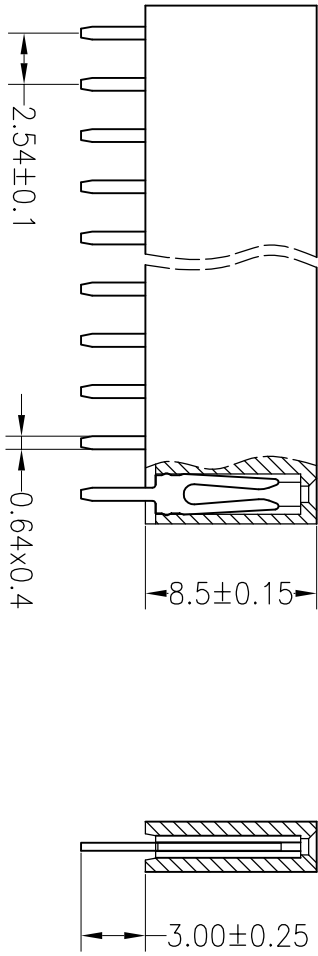
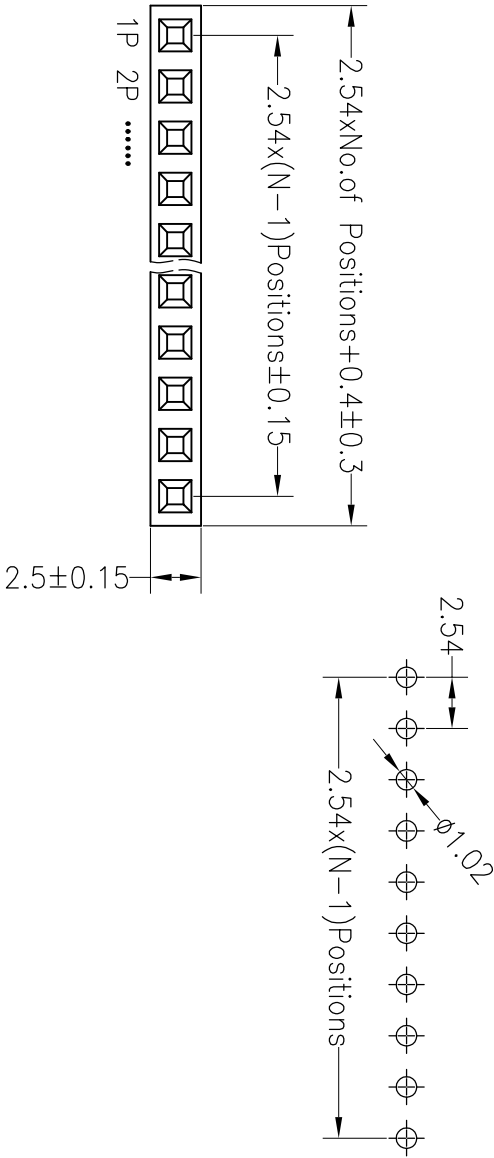
ROHS

Recommended P.C.B Layout(Top Side)
(PCB BOARD TOLERANCE±0.05)

SPECIFICATIONS

Rated Current:3.0AMP
 Contact Resistance:20mΩ Max
 Withstand Voltage:1000V AC/DC
 Insulation Resistance:1000MΩ Min
 Operation Temperature:−40°c to +105°c

Contact Material:Brass
 Contact Plating:Au Over Ni
 Insulator Material:Polyester(UL94V-0)
 Standard: PBT
 Max.Processing Temp: 180°C for 30–60 seconds
 (200°C for 10 seconds)



REV	DATE	MODIFICATION DESCRIPTION	CHANGE	OPERATION		DRAW	SCALE		FIT	PART NO.	TITLE:
				X.X	±0.30		UNIT	mm			
A0	2012.03.28	NEW DRAWING		X.XX	±0.20	CHECK	SIZE	A4	1/1	FH-00467	
				X.XXX	±0.10		SHEET				
				Angle	±3°	APPROVE	PROJ.				
				DIM	TOL						

深圳市连盛精密连接器有限公司

2.54FH H8.5mm 1x9pin 180° W2.5mm