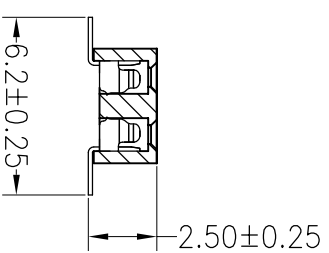
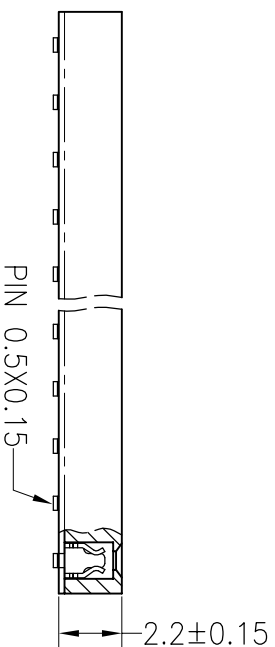
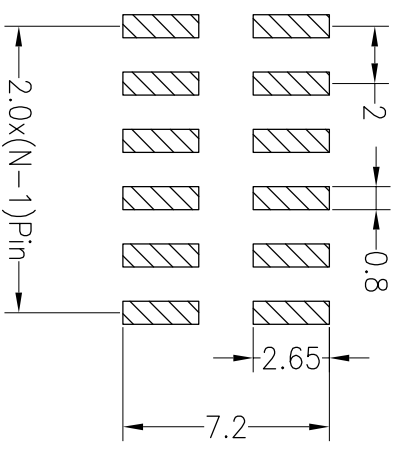
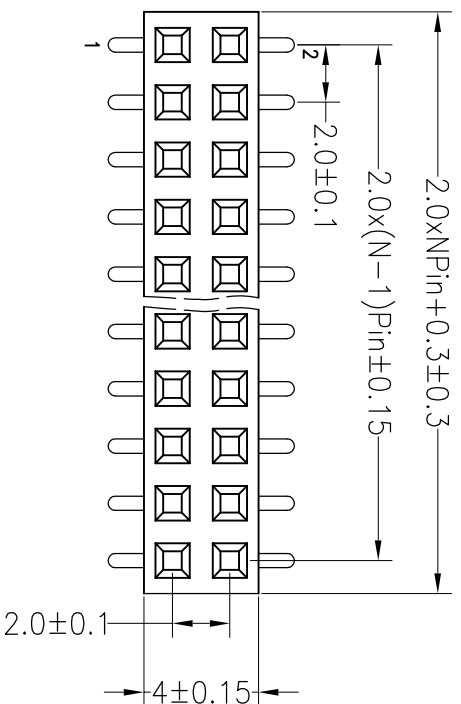


SPECIFICATIONS

Rated Current:1.5AMP
 Contact Resistance:20mΩ Max
 Withstand Voltage:500V AC/DC
 Insulation Resistance:1000MΩ Min
 Operation Temperature:-40°c to +105°c

Contact Material:Phosphor Bronze
 Contact Plating:Au or Sn Over Ni
 Insulator Material:Polyester(UL94V-0)
 Standard: PA6T
 Max.Processing Temp: 230°C for 30-60 seconds
 (260°C for 10 seconds)

Recommended P.C.B Layout(Top Side)
 (PCB BOARD TOLERANCE±0.05)



深圳市连盛精密连接器有限公司

PART NO. FH-00176---B0030

TITLE: 2.0FH H2.20mm 2x4pin SMT

OPERATION		DRAW		SCALE		FIT	
X.X	±0.30	UNIT	mm	UNIT	mm	PROJ.	
X.XX	±0.20	CHECK	A4	SIZE	1/1		
X.XXX	±0.10	APPROVE	SHEET	1/1			
Angle	±3°						
DIM	TOL						

REV	DATE	MODIFICATION DESCRIPTION	CHANGE
A0	2012.04.18	NEW DRAWING	
1			