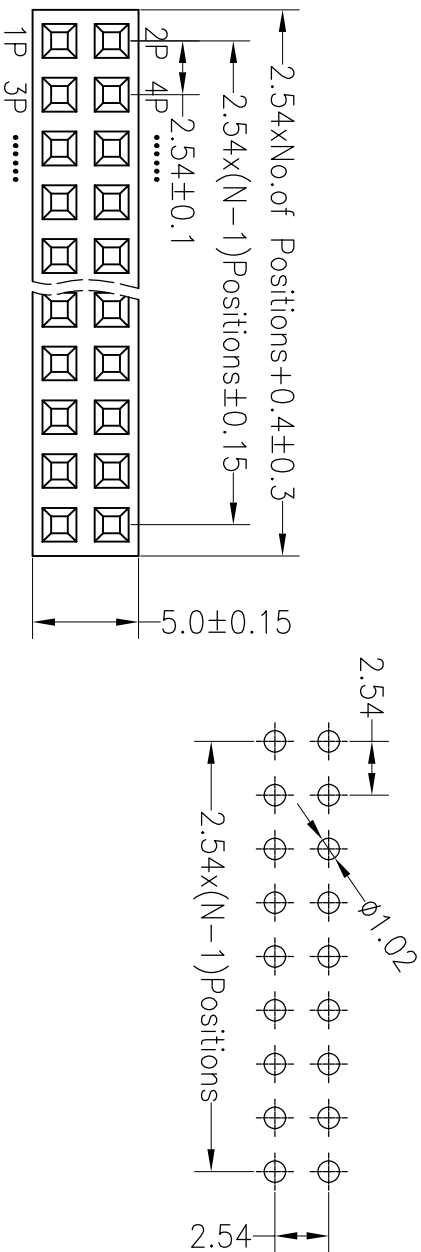


RoHS

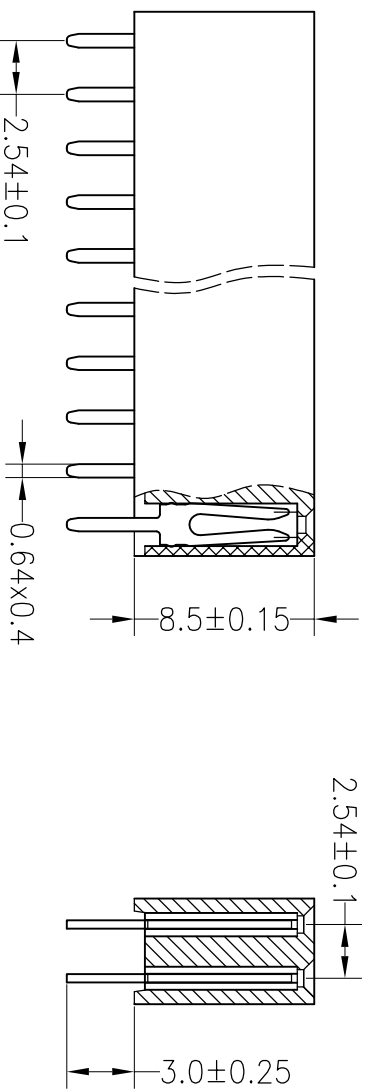
SPECIFICATIONS

Rated Current:3.0AMP
 Contact Resistance:20mΩ Max
 Withstand Voltage:1000V AC/DC
 Insulation Resistance:1000MΩ Min
 Operation Temperature:-40°c to +105°c

Contact Material:Brass
 Contact Plating:Au Over Ni
 Insulator Material:Polyester(UL94V-0)
 Standard: PBT
 Max.Processing Temp: 180°C for 30-60 seconds
 (200°C for 10 seconds)



Recommended P.C.B Layout(Top Side)
 (PCB BOARD TOLERANCE±0.05)



深圳市连盛精密连接器有限公司

PART NO. FH-00002

TITLE: 2.54FH H8.5 2x15pin 180° W5.0mm

REV	DATE	MODIFICATION DESCRIPTION	CHANGE	OPERATION		DRAW		SCALE		FIT	PART NO.
				X.X	±0.30	CHECK	UNIT	mm			
A0	2012.03.28	NEW DRAWING		X.XX	±0.20			SIZE	A4		FH-00002
				X.XXX	±0.10			SHEET	1/1		
				Angle	±3°	APPROVE		PROJ.			
				DIM	TOL						

1	2	3	4	5	6	7	8	9
---	---	---	---	---	---	---	---	---