

SPM Series
SMT Power Metal Inductor
Size 4030

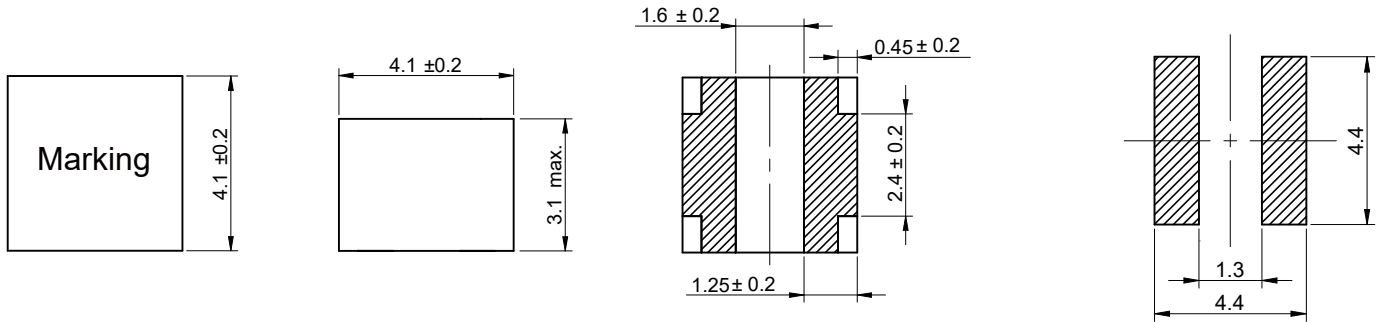


CHARACTERISTICS

- Large current, Low DC-resistance, High efficiency by magnetic metal powder
- Low acoustic noise and low leakage flux noise by shielded construction
- Operating temperature: $-40^{\circ}\text{C} \sim 125^{\circ}\text{C}$
- Quantity: 700 pcs/reel

Dimensions: [mm]

Land Pattern: [mm]



Electrical Properties:

Part No	Inductance (μH)	Tolerance	Temperature Rise Current Typ. (A)	Saturation Current Typ. (A)	DCR Max. (mΩ)	DCR Typ. (mΩ)
SPM4030-1R0M	1.0	± 20%	7.00	7.40	15	12
SPM4030-1R5M	1.5	± 20%	5.90	6.60	20	16
SPM4030-2R2M	2.2	± 20%	5.00	6.00	27	22
SPM4030-4R7M	4.7	± 20%	3.80	5.10	48	40
SPM4030-5R6M	5.6	± 20%	3.60	5.00	56	47
SPM4030-6R8M	6.8	± 20%	2.90	4.40	84	70
SPM4030-100M	10	± 20%	2.40	3.50	120	100

Temperature rise current: the actual value of DC current when the temperature rise is $\Delta T 40^{\circ}\text{C}$
 Saturation Current that will cause initial inductance to drop approximately 20%

Typical Electrical Characteristics:

