

## Audio Accessory ICs

# Karaoke/Surround Digital Echo

## BU9253AS/FS, BU9262AFS



### ●Description

The Karaoke/Surround Digital Echo IC incorporates a digital delay circuit, an input/output mixing circuit, supporting Karaoke echo and surround system, all in a single chip.

BU9253AS/FS has functions required by Karaoke echo system, and BU9262AFS has various functions required for surround / echo system.

### ●Features

#### <BU9253AS/FS>

- 1) Digital delay time : 131ms (fCLK = 375kHz)
- 2) Built-in mixing circuit for adding original sound and echo sound
- 3) Echo mix ratio settable by DC voltage
- 4) Built-in amplifier circuit for structuring input/output secondary LPF
- 5) Microphone mute function (mute of mixing sound of original sound + echo sound)
- 6) Built-in CR oscillation circuit

#### <BU9262AFS>

- 1) Digital delay time : 8-stage setting from 9.2ms to 192ms
- 2) Built-in input/output mixing circuit
- 3) Built-in feedback, delay volume circuit
- 4) Built-in input/output LPF
- 5) Serial interface
- 6) Auto mute circuit built in (action at power on, mode switching)
- 7) Built-in auto reset circuit at power on

### ●Applications

Radio cassette recorder, mini-component and karaoke systems.

### ●Product lineup

| Parameter                   | BU9253AS  | BU9253FS  | BU9262AFS |
|-----------------------------|-----------|-----------|-----------|
| Supply voltage              | 4.0V~5.5V | 4.0V~5.5V | 4.5V~5.5V |
| Oscillation frequency       | 375kHz    | 375kHz    | 2MHz      |
| Current consumption         | 6mA       | 6mA       | 20mA      |
| Operating temperature range | -10~+70°C | -10~+70°C | -10~+70°C |
| Package                     | SDIP18    | SSOP-A16  | SSOP-A32  |
| Digital delay               | Fixed     | Fixed     | Variable  |
| Echo level                  | Fixed     | Fixed     | Variable  |

● Absolute maximum ratings

<BU9253AS>

| Parameter           | Symbol             | Ratings                     | Unit |
|---------------------|--------------------|-----------------------------|------|
| Supply voltage      | V <sub>CCMAX</sub> | 7.0                         | V    |
| Terminal voltage    | V <sub>IN</sub>    | -0.3 ~ V <sub>CC</sub> +0.3 | V    |
| Power dissipation   | P <sub>D</sub>     | 600*                        | mW   |
| Storage temperature | T <sub>STG</sub>   | -55 ~ +125                  | °C   |

\* Reduce by 6.0 mW/°C over 25°C

<BU9253FS>

| Parameter           | Symbol             | Ratings                     | Unit |
|---------------------|--------------------|-----------------------------|------|
| Supply voltage      | V <sub>CCMAX</sub> | 7.0                         | V    |
| Terminal voltage    | V <sub>IN</sub>    | -0.3 ~ V <sub>CC</sub> +0.3 | V    |
| Power dissipation   | P <sub>D</sub>     | 500*                        | mW   |
| Storage temperature | T <sub>STG</sub>   | -55 ~ +125                  | °C   |

\* Reduce by 5.0 mW/°C over 25°C

<BU9262AFS>

| Parameter           | Symbol           | Ratings                                       | Unit |
|---------------------|------------------|---|------|
| Supply voltage      | V <sub>CC</sub>  | 0.3 ~ 7.0                                     | V    |
| Terminal voltage    | V <sub>IN</sub>  | V <sub>SS</sub> - 0.3 ~ V <sub>CC</sub> + 0.3 | V    |
| Power dissipation   | P <sub>D</sub>   | 800*  | mW   |
| Storage temperature | T <sub>STG</sub> | -55 ~ +125                                    | °C   |

\* Reduce by 8.0 mW/°C over 25°C

Note: This IC is not designed to be radiation-resistant.

Note: Operation is not guaranteed.

● Operating conditions

<BU9253AS/FS>

| Parameter             | Symbol          | Limits    | Unit |
|-----------------------|-----------------|-----------|------|
| Supply voltage        | V <sub>CC</sub> | 4.0 ~ 5.5 | V    |
| Operating temperature | T <sub>a</sub>  | -10 ~ +70 | °C   |
| Operating frequency   | f <sub>c</sub>  | 375       | kHz  |

<BU9262AFS>

| Parameter              | Symbol          | Limits    | Unit |
|------------------------|-----------------|-----------|------|
| Operating supply range | V <sub>CC</sub> | 4.5 ~ 5.5 | V    |
| Operating temperature  | T <sub>a</sub>  | -10 ~ +70 | °C   |
| Operating frequency    | f <sub>c</sub>  | 2         | MHz  |

●Electrical characteristics

<BU9253AS/FS>

(Ta=25°C, Vcc=5.0V, fc=375kHz, fin=1kHz, Vi=-10dBV, ECHO VR pin=Vcc, MUTE pin=Vcc, unless otherwise specified.)

| Parameter                | Symbol | Limits |      |      | Unit | Condition  |
|--------------------------|--------|--------|------|------|------|--|
|                          |        | Min    | Typ  | Max  |      |  |
| Circuit Current          | Icc    | —      | 6    | 12   | mA   | No signal input                                    |
| Voltage Gain 1           | Gv1    | -5.6   | -3.5 | -1.4 | dB   | Delay side total gain<br>IN→OUT                    |
| Voltage Gain 2           | Gv2    | -1     | 0    | -1   | dB   | Through side total gain<br>IN→OUT, ECHO VR pin=GND |
| Output distortion 1      | THD1   | —      | 1.5  | 3    | %    | Delay side   |
| Output distortion 2      | THD2   | —      | 0.02 | 0.1  | %    | Through side<br>ECHO VR pin=GND                    |
| Output noise voltage 1   | VNO1   | —      | -80  | -60  | dBV  | Delay side<br>Rg=1kΩ                               |
| Output noise voltage 2   | VNO2   | —      | -90  | -80  | dBV  | Through side<br>Rg=1kΩ, ECHO VR pin=GND            |
| Maximum output voltage 1 | VOM1   | 1.4    | 1.7  | —    | Vrms | Delay side<br>THD=10%                              |
| Maximum output voltage 2 | VOM2   | 1.4    | 1.7  | —    | Vrms | Through side<br>THD=1%, ECHO VR pin=GND            |
| MUTE control voltage     | VH     | 3.8    | —    | 5.0  | V    | H mode hold voltage<br>MUTE pin DC                 |
|                          | VM     | 1.6    | —    | 2.8  | V    | M mode hold voltage<br>MUTE pin DC                 |
|                          | VL     | 0      | —    | 0.7  | V    | L mode hold voltage<br>MUTE pin DC                 |
| Oscillation frequency    | fc     | —      | 375  | —    | kHz  |  |

<BU9262AFS>

(Ta = 25°C, Vcc = 5V, VIN = 200mVrms, fin = 1kHz, fc = 2MHz, Rg = 600Ω, unless otherwise specified.)

| Parameter                     | Symbol | Limits |      |      | Unit | Condition                 |
|-------------------------------|--------|--------|------|------|------|---------------------------|
|                               |        | Min.   | Typ. | Max. |      |                           |
| Circuit current               | Icc    | —      | 20   | 40   | mA   | No signal input           |
| [Digital delay]               |        |        |      |      |      |                           |
| Input/Output Gain             | AV1    | -3     | 0    | 3    | dB   |                           |
| Output distortion             | THD1   | —      | 0.6  | 1.2  | %    | tDL = ~48ms, 30kHz LPF    |
|                               | THD2   | —      | 1.0  | 2.0  | %    | tDL = 96ms, 30kHz LPF     |
|                               | THD3   | —      | 1.2  | 2.4  | %    | tDL = 144ms, 30kHz LPF    |
|                               | THD4   | —      | 1.5  | 3.0  | %    | tDL = 192ms, 30kHz LPF    |
| Output noise voltage          | VNO1   | —      | -90  | -75  | dBV  | tDL = ~48ms, DIN – AUDIO  |
|                               | VNO2   | —      | -87  | -72  | dBV  | tDL = 96ms, DIN – AUDIO   |
|                               | VNO3   | —      | -85  | -70  | dBV  | tDL = 144ms, DIN – AUDIO  |
|                               | VNO4   | —      | -83  | -68  | dBV  | tDL = 192ms, DIN – AUDIO  |
| Maximum output voltage        | VMX1   | 0.7    | 1.0  | —    | Vrms | THD = 10%, 30kHz LPF      |
| [Delay volume “DSIG output” ] |        |        |      |      |      |                           |
| Input//Output Gain            | AV5    | 0      | 3    | 6    | dB   | DLYVOL = MAX.             |
| Output distortion             | THD5   | —      | 0.17 | 0.34 | %    | 30kHz LPF                 |
| Output noise voltage          | VNO5   | —      | -100 | -90  | dBV  | DELAY OFF, DIN – AUDIO    |
| Maximum output voltage        | VMX5   | 1.1    | 1.4  | —    | Vrms | THD = 10%, 30kHz LPF      |
| Maximum attenuation           | ATT5   | —      | -90  | -60  | dB   | DLYVOL = MIN. DIN – AUDIO |
| [Feedback volume]             |        |        |      |      |      |                           |
| Input/Output Gain             | AV6    | -6     | -3   | 0    | dB   | FBVOL = MAX.              |
| Maximum attenuation           | ATT6   | —      | -90  | -60  | dB   | FBVOL = MIN. DIN – AUDIO  |
| [Line amplifier]              |        |        |      |      |      |                           |
| Input/Output Gain             | AV7    | -3     | 0    | 3    | dB   |                           |
| Output distortion             | THD6   | —      | 0.01 | 0.03 | %    | 30kHz LPF                 |
| Output noise voltage          | VNO6   | —      | -100 | -90  | dBV  | DELAY OFF, DIN – AUDIO    |
| Maximum output voltage        | VMX6   | 1.2    | 1.8  | —    | Vrms | THD = 10%, 30kHz LPF      |
| Channel separation            | AVCS   | —      | -90  | -65  | dB   | f = 400Hz, DIN – AUDIO    |
| Input impedance               | ZI     | 24     | 35   | —    | kΩ   |                           |
| [Digital unit]                |        |        |      |      |      |                           |
| Input “H” voltage             | VIH    | 3.8    | —    | —    | V    |                           |
| Input “L” voltage             | VIL    | —      | —    | 1.2  | V    |                           |
| Pull-up resistance            | Rd     | 12     | 25   | 50   | kΩ   |                           |
| [Serial data]                 |        |        |      |      |      |                           |
| Clock width                   | twCK   | 2.0    | —    | —    | us   |                           |
| Latch width                   | twLT   | 2.0    | —    | —    | us   |                           |
| Data setup                    | tdsu   | 1.0    | —    | —    | us   |                           |
| Data hold                     | th     | 1.0    | —    | —    | us   |                           |
| Latch setup                   | tisu   | 1.0    | —    | —    | us   |                           |

●Reference data

<BU9253AS/FS>

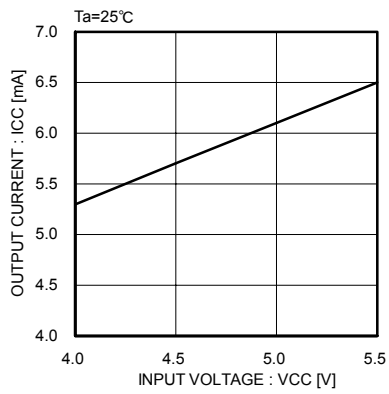


Fig.1 Current consumption

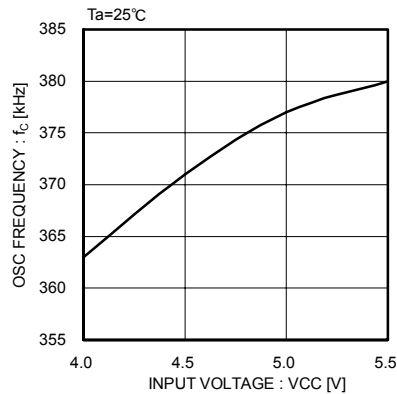


Fig.2 Oscillation frequency

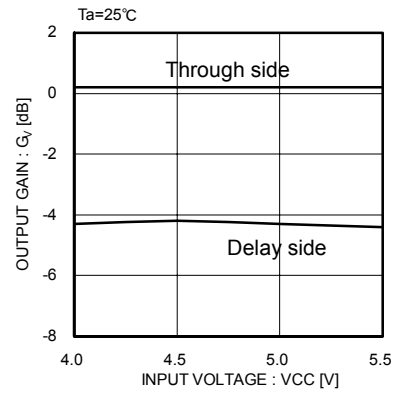


Fig.3 Total gain characteristic

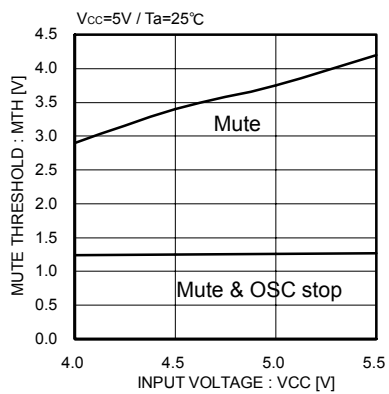


Fig.4 Mute pin threshold

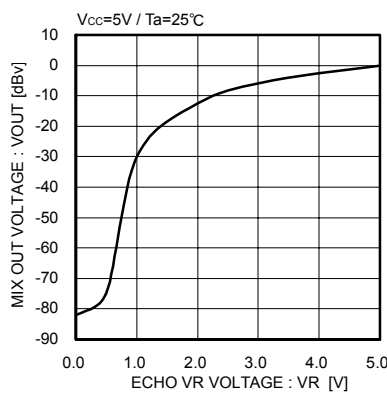


Fig.5 ECHO VR characteristic

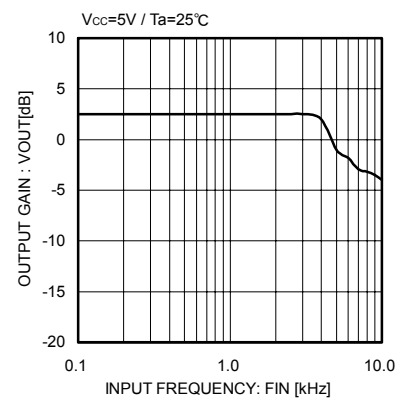


Fig.6 A/D frequency characteristic

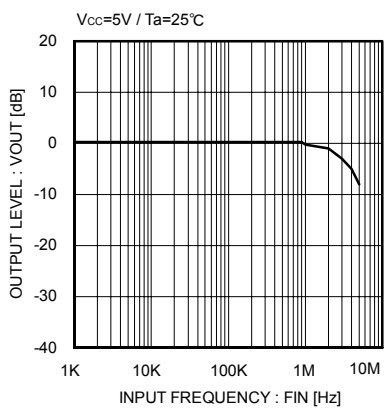


Fig.7 LPF operation amplifier frequency characteristic

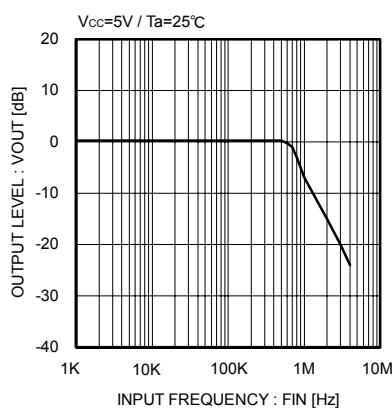


Fig.8 MIX operation amplifier frequency characteristic

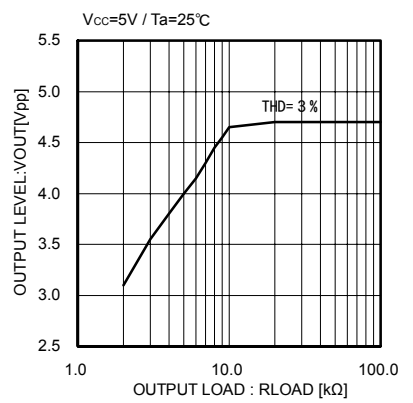


Fig.9 Through side output load drive characteristic

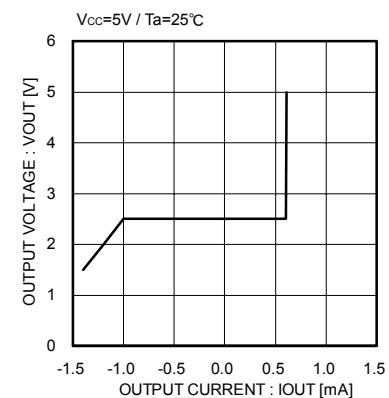


Fig.10 LPF operation amplifier output performance

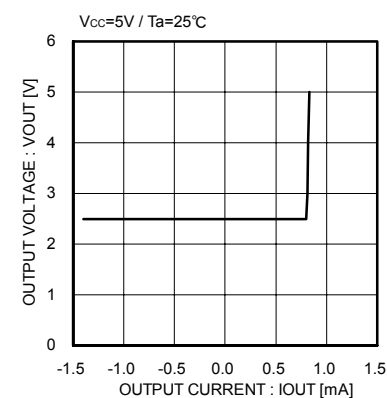


Fig.11 MIX operation amplifier output performance

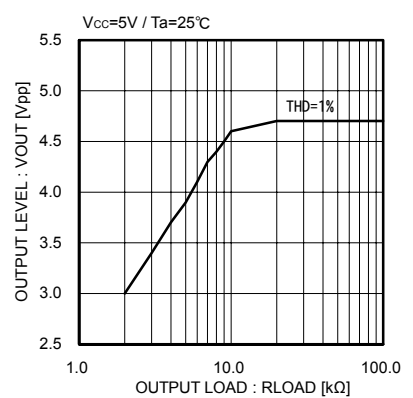


Fig.12 Delay side output load drive characteristic

●Reference data

<BU9262AFS>

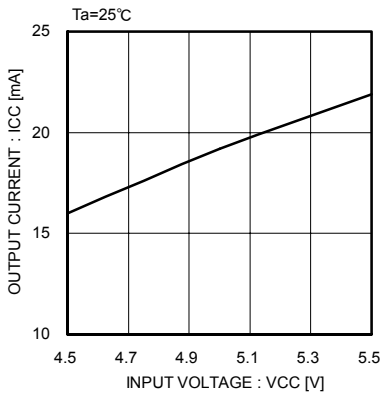


Fig.13 Circuit current

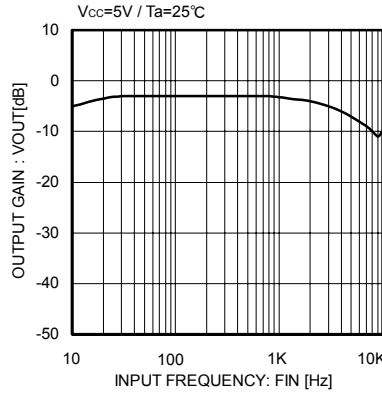


Fig.14 PRE FILTER frequency characteristic

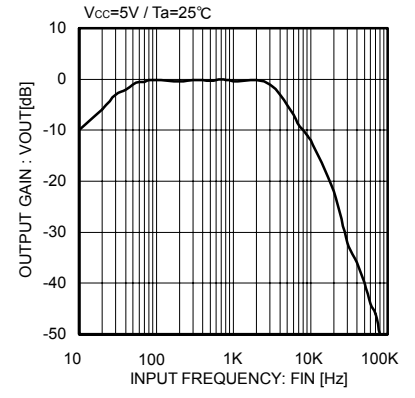


Fig.15 FBVOL frequency characteristic

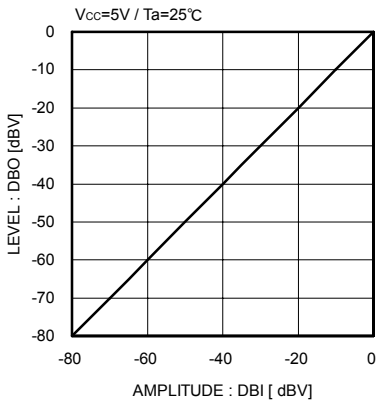


Fig.16 Line amplifier linearity

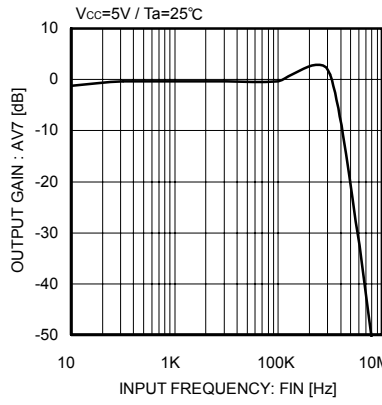


Fig.17 Line amplifier frequency characteristic

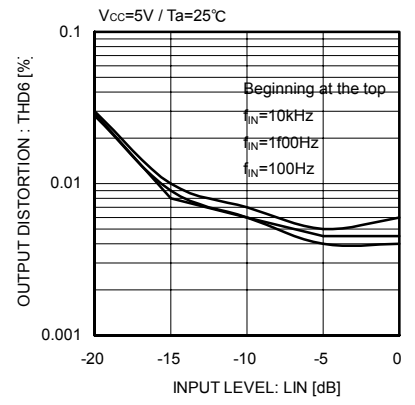


Fig.18 Line amplifier distortion characteristic

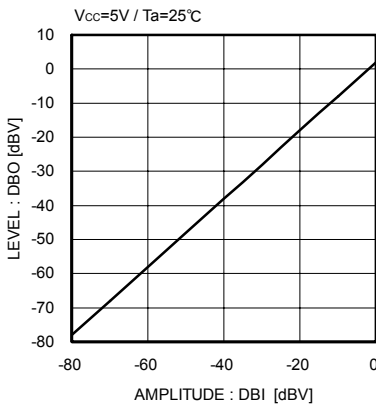


Fig.19 MIX VOL linearity

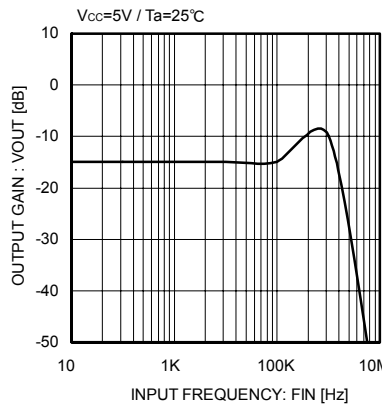


Fig.20 MIX VOL frequency characteristic

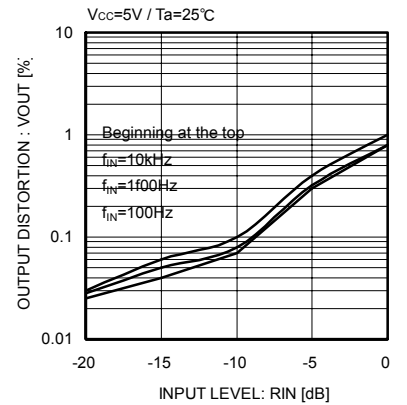


Fig.21 MIX VOL distortion characteristic

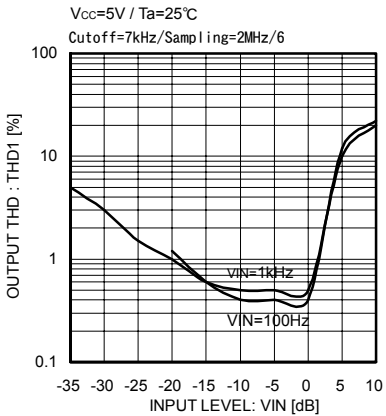


Fig.22 Input level vs distortion ratio characteristic 1

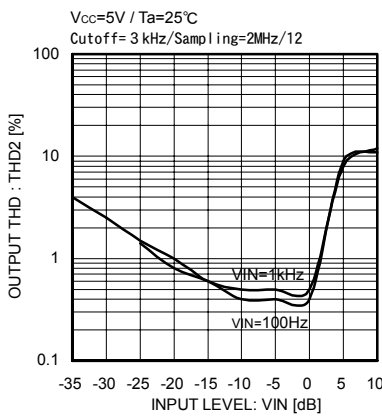


Fig.23 Input level vs distortion ratio characteristic 2

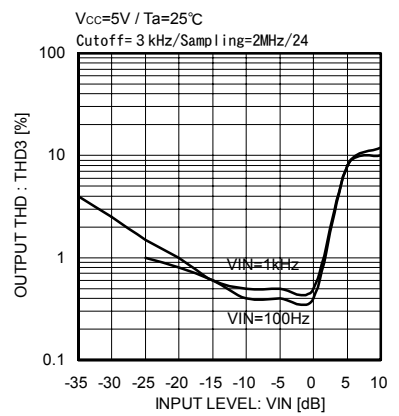


Fig.24 Input level vs distortion ratio characteristic 3

● Pin description, Block diagram, Application circuit

<BU9253AS/FS>

• Description of terminal

| BU9253AS<br>Pin No. | BU9253FS<br>Pin No. | Symbol    | Function                                       |
|---------------------|---------------------|-----------|--|
| 1                   | 1                   | GND       | GND pin  |
| 2                   | 2                   | ECHO VR   | Echo level DC control pin                      |
| 3                   | —                   | NC1       | Not connected                                  |
| 4                   | 3                   | BIAS      | Analog unit DC bypass pin                      |
| 5                   | 4                   | DAINT IN  | DA side integrator input pin                   |
| 6                   | 5                   | DAINT OUT | DA side integrator output pin                  |
| 7                   | 6                   | DALPF IN  | DA side LPF input pin                          |
| 8                   | 7                   | DALPF OUT | DA side LPF output pin                         |
| 9                   | 8                   | MIX OUT   | Mixing output of original sound and echo sound |
| 10                  | 9                   | MIX IN    | Original sound input pin of mixing amplifier   |
| 11                  | 10                  | ADLPF IN  | AD side LPF input pin                          |
| 12                  | 11                  | ADLPF OUT | AD side LPF output pin                         |
| 13                  | 12                  | ADINT OUT | AD side integrator output pin                  |
| 14                  | 13                  | ADINT IN  | AD side integrator input pin                   |
| 15                  | 14                  | VCC       | VCC pin  |
| 16                  | —                   | NC2       | Not connected                                  |
| 17                  | 15                  | MUTE      | Mute control pin                               |
| 18                  | 16                  | CR        | Oscillator CR pin                              |

• BU9253AS pin assignment

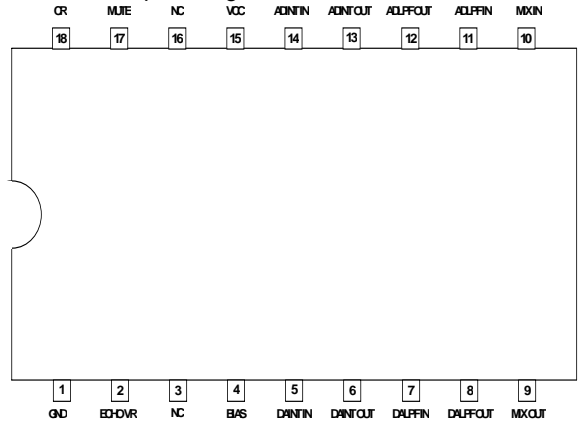


Fig.25 BU9253AS pin assignment

• BU9253FS pin assignment

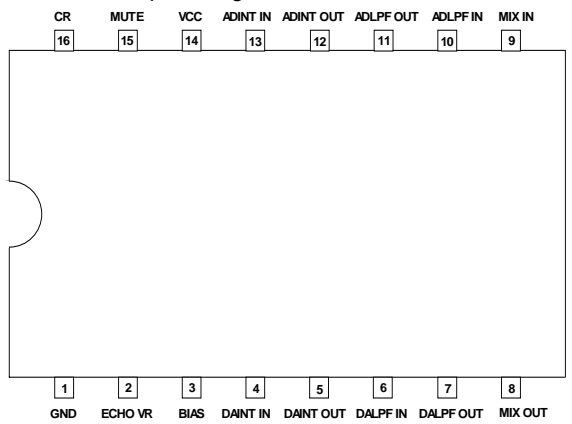


Fig.26 BU9253FS pin assignment

• BU9253AS Block diagram, Application circuit

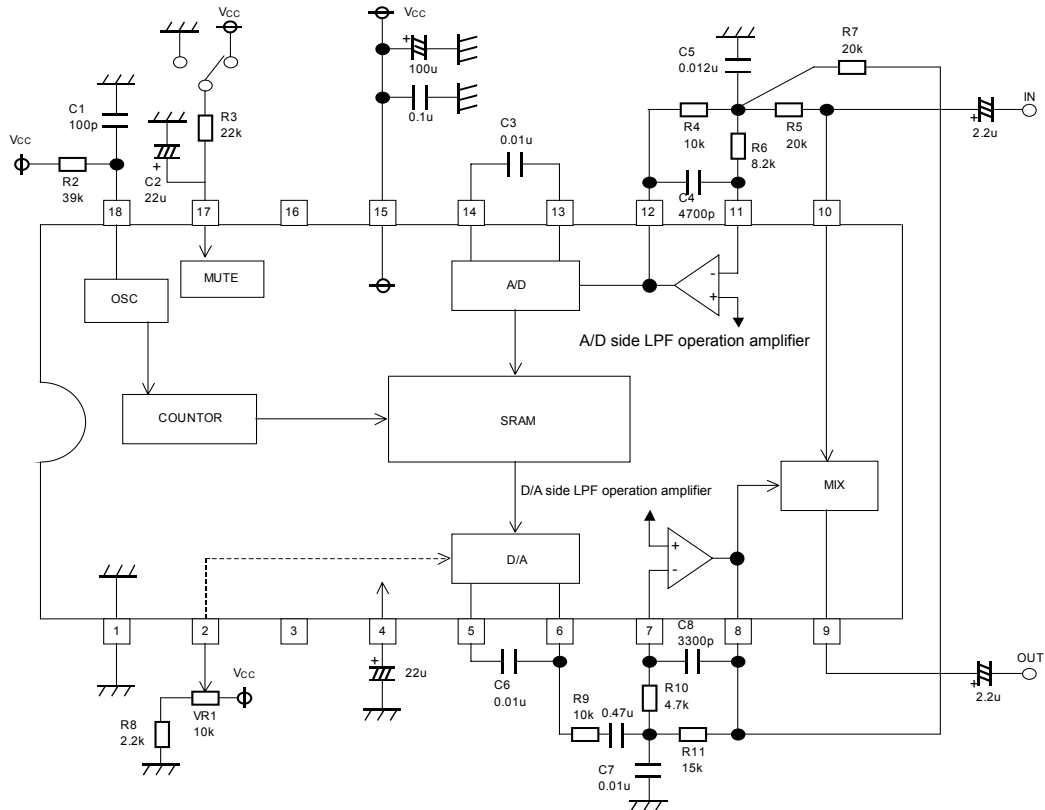


Fig.27 Application circuit

● Pin description, Block diagram, Application circuit

<BU9262AFS>

• Description of terminal

| No. | Symbol  | Function   |
|-----|---------|--|
| 1   | NC      | Not connected  |
| 2   | TESTB   | Test negative logic input pin (normally "H" input)       |
| 3   | SCK     | Serial clock input                                       |
| 4   | SLT     | Serial latch input                                       |
| 5   | SI      | Serial data input  |
| 6   | CLKO    | Oscillation output pin                                   |
| 7   | CLKI    | Oscillation input pin                                    |
| 8   | NC      | Not connected  |
| 9   | DSOUT   | Delay source output                                      |
| 10  | TESTOUT | Test output pin (normally "L" output)                    |
| 11  | LPF1I1  | LPF capacitor external pin                               |
| 12  | LPF1I2  |  |
| 13  | LPF1O   |  |
| 14  | ADI     |  |
| 15  | ADO     | ADC capacitor connection pin                             |
| 16  | GND     | GND pin  |
| 17  | DAI     | DAC capacitor connection pin                             |
| 18  | DAO     |  |
| 19  | LPF2I1  | LPF capacitor external pin                               |
| 20  | LPF2I2  |  |
| 21  | LPF2O   |  |
| 22  | VOIN    | Delay signal / volume input pin                          |
| 23  | DSIG    | Delay signal output                                      |
| 24  | VREF    | Analog reference voltage                                 |
| 25  | RCOUT   | Rch output   |
| 26  | LCOUT   | Lch output   |
| 27  | FBOUT   | Feedback signal output                                   |
| 28  | RCIN    | Rch input  |
| 29  | LCIN    | Lch input  |
| 30  | VCC     | Power source pin   |
| 31  | MICIN   | Microphone input (microphone amplifier output connected) |
| 32  | MIXIN   | Mix signal input   |

• Block diagram

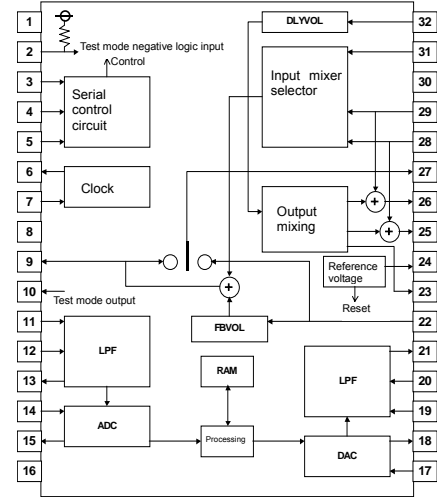


Fig.28 Block diagram

• Pin assignment

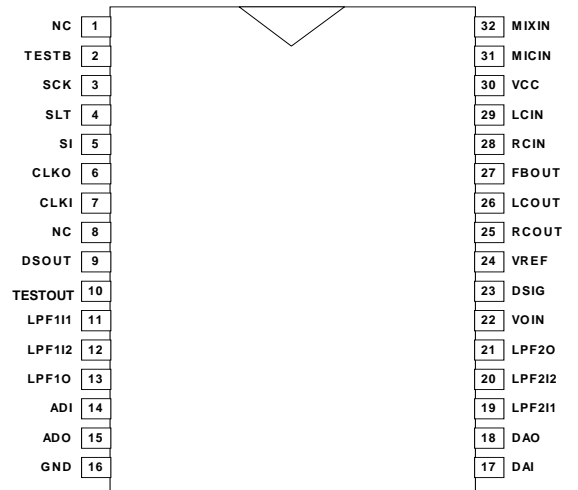


Fig.29 Pin assignment

• Application circuit

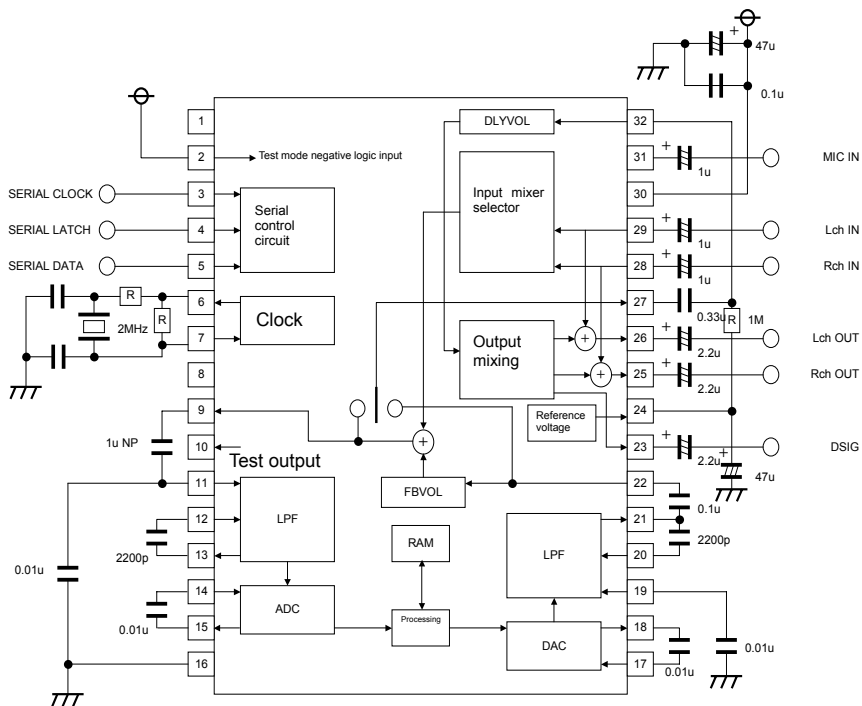


Fig.30 Application circuit



●Description of operations

<BU9253AS/FS>

- OSC(Oscillator)  
Clock is generated by connecting external RC circuit. Clock is used for the delay counter.
- Mute control circuit (MUTE)  
By input voltage of the mute terminal, 3 statuses, that is, mute, mute release (operating), and clock stop & mute can be selected.
- COUNTER  
This counter is for generating delay time. It can generate delay time about 131ms at oscillation frequency  
Fclk = 375kHz.
- SRAM  
SRAM with 8Kbit capacity for generating the delay.
- A/D side LPF operation amplifier  
LPF can be structured by external RC, and band limit of signal to be input to A/D is available.
- A/D  
This digitalizes output signal of AD side LPF, and outputs it to SRAM.
- D/A side LPF operation amplifier  
LPF can be structured by external RC, and band limit of signal to be output to D/A is available.
- D/A  
This converts delayed audio digital data input from SRAM into analog signal.
- Mixing amplifier (MIX)  
This circuit is used for mixing delayed signals and (original sound) signals input from MIX IN.

<BU9262AFS>

- Serial control circuit  
This serial I/F circuit is for setting each register. It can be controlled by serial 16bit data. It reads in SI at the rise of SCK, and latches data at the rise of SLT.

| No. | Mode                       | Remarks  |
|-----|----------------------------|--|
| D0  | Delay time                 | Delay time setting<br>"Refer to the separate table."   |
| D1  |                            |  |
| D2  |                            |  |
| D3  | INPUT select<br>"ISEL"     | ( D3、 D4 ) = ( L、 L ) : L+R<br>( L、 L ) : L-R<br>( L、 H ) : MIC<br>( H、 H ) : CLK OFF  |
| D4  |                            |  |
| D5  | OUTPUT select<br>"OSEL"    | ( D5、 D6 ) = ( L、 L ) : FWD (L, R in phase)<br>( L、 L ) : REV (R in opposite phase)<br>( L、 H ) : MIC MIX<br>( H、 H ) : NORMAL |
| D6  |                            |  |
| D7  | Delay out "DOSW"           | H : output ON      L : output OFF  |
| D8  | Delay volume<br>"DLYVOL"   | Delay signal / volume setting<br>"Refer to the separate table."  |
| D9  |                            |  |
| D10 |                            |  |
| D11 | Feedback volume<br>"FBVOL" | Feedback / volume setting<br>"Refer to the separate table."  |
| D12 |                            |  |
| D13 |                            |  |
| D14 | Latch control              | (D5, D6) = (L, H) : latch<br>Others are not latch  |

• Delay time control circuit

This circuit controls delay time. -8 delay time can be selected by register.

| D0 | D1 | D2 | Delay time (Sampling frequency) | LPF cutoff frequency |
|----|----|----|---------------------------------|----------------------|
| L  | L  | L  | 9.2msec (2MHz / 6)              | 7kHz                 |
| H  | L  | L  | 15.4msec (2MHz / 6)             |                      |
| L  | H  | L  | 21.1msec (2MHz / 6)             |                      |
| H  | H  | L  | 30.0msec (2MHz / 6)             |                      |
| L  | L  | H  | 48.0msec (2MHz / 6)             |                      |
| H  | L  | H  | 96.0msec (2MHz / 12)            | 3kHz                 |
| L  | H  | H  | 144.0msec (2MHz / 18)           |                      |
| H  | H  | H  | 192.0msec (2MHz / 24)           |                      |

• Delay signal volume circuit

This is the delay signal volume circuit. 8 volume setting can be selected by register.

| D8 | D9 | D10 | DLYVOL |
|----|----|-----|--------|
| L  | L  | L   | +3dB   |
| H  | L  | L   | 0dB    |
| L  | H  | L   | -3dB   |
| H  | H  | L   | -6dB   |
| L  | L  | H   | -9dB   |
| H  | L  | H   | -12dB  |
| L  | H  | H   | -15dB  |
| H  | H  | H   | -∞dB   |

• Feedback volume circuit

This is the feedback volume circuit. 8 feedback volume setting can be selected by register.

| D11 | D12 | D13 | FBVOL |
|-----|-----|-----|-------|
| L   | L   | L   | -3dB  |
| H   | L   | L   | -5dB  |
| L   | H   | L   | -7dB  |
| H   | H   | L   | -9dB  |
| L   | L   | H   | -11dB |
| H   | L   | H   | -13dB |
| L   | H   | H   | -15dB |
| H   | H   | H   | -∞dB  |

• Input mixer-selector circuit

This mixes MIC IN, LCIN, RCIN, VOIN signals, and selects the output path by selector.

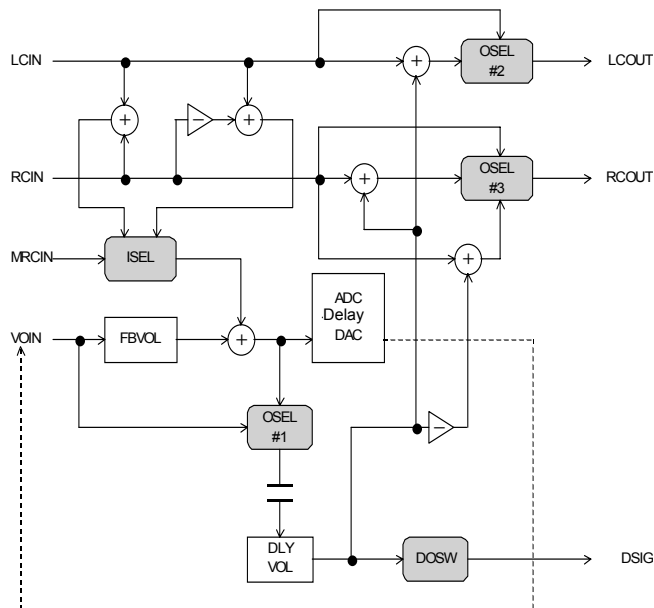


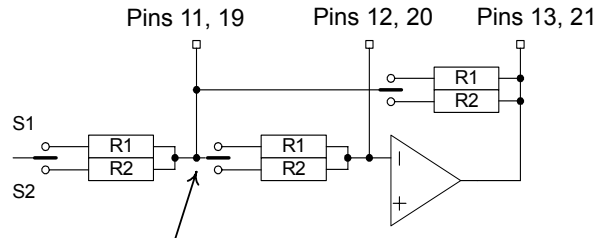
Fig.31 Input mixer selector circuit

• Output/ input LPF circuit

This is the LPF circuit connected to the ADC input unit and the DAC output unit. Delay time setting can be select by internal resistor.

| Delay amount      | Switch | Resistance value |
|-------------------|--------|------------------|
| 48.0msec or below | S1     | 4.8kΩ*           |
| 96.0msec or below | S2     | 11.3kΩ*          |

\*Internal resistance precision is ±30%.



Note: In Pin 11, is an external capacity connection

Fig.32 Input LPF / Output LPF circuit

• Auto mute circuit

Delay output is muted during power on and delay time switching.

●Timing chart

<BU9262AFS>

• Serial interface specification

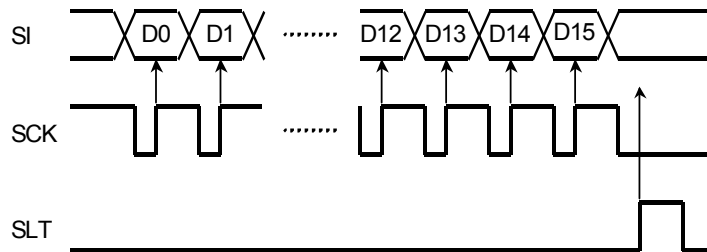


Fig.33 Serial interface specification

• Serial timing

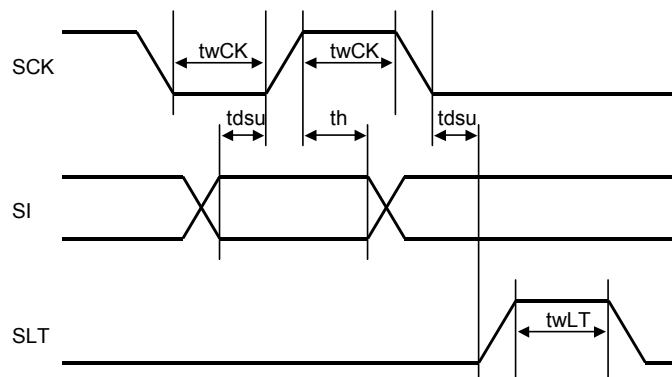


Fig.34 Serial timing

●Description of external components

< BU9253AS/FS > (Refer to Fig. 27.)

• Echo level

Echo signal level is determined by the gains of A/D side operation amplifier and the D/A operation amplifier, since there is no gain in A/D → SRAM → D/A. Path in applied circuit example,

$$\text{Gain at A/D side : } R4 \div R5 = 10K \div 20K = 0.5$$

$$\text{Gain at D/A side : } R11 \div R9 = 15K \div 10K = 1.5$$

When the original signal is defined as 1, the echo signal level becomes the feedback ratio.

$$\text{Echo signal feed back ration} = 0.5 \times 1.5 = 0.75 = 75\%$$

• Echo level setting method

Echo level can be set by adjusting DC voltage by VR1. It does not change in low voltage range, therefore, R8 is added, and it can be adjusted by VR pot.

• Clock frequency and delay time

Clock frequency and delay time are as the following equations.

$$\text{Sample frequency} = \text{clock frequency} \div 6$$

$$\text{Delay time} = (1 \div \text{sample frequency}) \times 8192 \text{ (SRAM 8192 bits)}$$

As an example, when clock frequency is 375kHz, then sample frequency is 375kHz ÷ 6 = 62.5kHz. Therefore, the delay time is:

$$\text{Delay time} = (1 \div 62500) \times 8192 = 131\text{ms}$$

Clock frequency is determined by R2, C1 connected to CR terminal (pin 18 in BU9253AS, pin 16 in BU9253FS). When C, R are changed, oscillation frequency changes, but the delay time is kept fixed.

• LPF frequency characteristic

When the band width is set too narrow, echo voice becomes worse, and when band width is set wide, A/D cannot be converted, and S/N becomes worse. Band width of applied circuit example is 2kHz.

• A/D, D/A external capacitors C3, C6

Feedback is set by resistance and capacitor so that output follows even when input signal level and frequency of A/D, D/A change. Variation in the externally attached capacitor can influence the sound quality. A small capacitor can generate noise, while a capacitor that is too large will attenuate. In applied circuit example, 0.01uF is selected to avoid influence upon LPF.

• Mute

Can be controlled by input voltage of MUTE pin. It takes more than one SRAM cycle for switching between mute → mute release (L → M → H). It is necessary for initializing SRAM and insuring stable status before changing operating modes. MIX OUT output is muted, so original sound and echo sound output is stopped.

| MUTE pin | Mode                     |
|----------|--------------------------|
| H        | Mute release (operating) |
| M        | Mute                     |
| L        | Clock stop & mute        |

In the applied circuit example, MUTE is set by R3, C2. In the specifications, voltage range of M is 1.6V ~ 2.8V, therefore, it is necessary to change R3,C2, and set the time of 1.6V ~ 2.8V over 131ms. In consideration of fluctuation, C2 = 22uF, R3 = 22kΩ. When MUTE pin is controlled by the microcontroller, select M range to 1.6V ~ 2.8V and keep M level over 131ms.

• Maximum signal input

When original signal and echo are in phase and mixed, both the signals are added to reach maximum output. In order not to clip this signal, the maximum output at power source voltage of 5V is about 4Vpp. When echo feedback ratio is 0.75, then maximum signal input becomes about 1.0Vpp.

$$\begin{aligned} V_{out\ MAX} &= 1 / (1 - A) \times V_{in} \\ &= 1 / (1 - 0.75) \times V_{in} = 4V_{pp} \\ \therefore V_{in} &= 1V_{pp} \end{aligned}$$

- LPF and echo system gain

When the ratio of original signal and echo is changed, R5, R6, R9, R11 are also changed, and the characteristics of LPF change too. Therefore, it is necessary to change all the constants of LPF. In the case, to precisely measure the ratio of original signal and echo, remove R7, input signal around 500Hz without the influence of LPF from MIX IN, and compare it with the output of DALPF OUT.

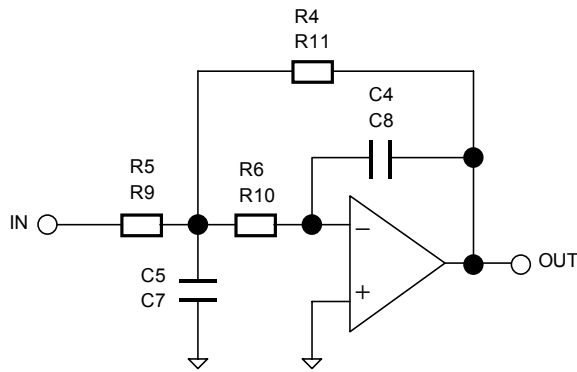


Fig.35 LPF and echo system gain

$$f_c = \frac{1}{2\pi\sqrt{C_4 C_5 R_4 R_5}}$$

$$Q = \frac{1}{R_4 R_5 + \frac{R_4 R_5}{R_6}} \sqrt{\frac{C_5 R_4 R_5}{C_4}}$$

Q generally about 0.7

$$A_1 = \frac{R_4}{R_5} \quad A_2 = \frac{R_{11}}{R_9}$$

Echo signal amplitude ratio

$$= A_1 \times A_2 = \frac{R_4 \times R_{11}}{R_5 \times R_9}$$

- Clock oscillation

As for C,R, tolerance should be below 5%. Note: If measurement is made by attachment a probe oscilloscope it might load the oscillator and reduce the oscillation frequency.

\* The set values in this document are for reference only. In the actual set, characteristics may change according to board layout, wiring, types of parts used, and therefore, in actual use, carry out sufficient verification with the actual devices.

## ●Cautions on Use

- 1) Absolute maximum ratings  
An excess in the absolute maximum ratings, such as supply voltage, temperature range of operating conditions, etc., can break down the devices, thus making impossible to identify breaking mode, such as a short circuit or an open circuit. If any over rated values will expect to exceed the absolute maximum ratings, consider adding circuit protection devices, such as fuses.
- 2) Operating conditions  
Characteristics are guaranteed under the conditions of each specified parameter.
- 3) Reverse polarity connection of the power supply  
Connecting the of power supply in reverse polarity can damage IC. Take precautions when connecting the power supply lines. An external direction diode can be added.
- 4) Power supply line  
Design PCB layout pattern to provide low impedance GND and supply lines. To obtain a low noise ground and supply line, separate the ground section and supply lines of the digital and analog blocks.  
Furthermore, for all power supply terminals to ICs, connect a capacitor between the power supply and the GND terminal. When applying electrolytic capacitors in the circuit, note that capacitance characteristic values are reduced at low temperatures.
- 5) GND voltage  
Ground-GND potential should maintain at the minimum ground voltage level. Furthermore, no terminals (except SWOUT) should be lower than the GND potential voltage including an electric transients.
- 6) Short circuit between terminals and GND or other devices  
Pay attention to the assembly direction of the ICs. Wrong mounting direction or shorts between terminals, GND, or other components on the circuits, can damage the IC.
- 7) Operation in a strong electromagnetic field  
Using the ICs in a strong electromagnetic field can cause operation malfunction.
- 8) Inspection with set PCB  
During testing, turn on or off the power before mounting or dismounting the board from the test Jig.  
Do not power up the board without waiting for the output capacitors to discharge. The capacitors in the low output impedance terminal can stress the device. Pay attention to the electro static voltages during IC handling, transportation, and storage.
- 9) Input terminals  
In terms of the construction of IC, parasitic elements are inevitably formed in relation to potential. The operation of the parasitic element can cause interference with circuit operation, thus resulting in a malfunction and breakdown of the input terminal. Therefore, pay thorough attention not to apply a voltage lower than the GND to the input terminals. Furthermore, do not apply a voltage to the input terminals when no power supply voltage is applied to the IC. In addition, even if the power supply voltage is applied, apply a voltage lower than the power supply voltage to the input terminals, or a voltage within the guaranteed value of electrical characteristics.
- 10) Ground wiring pattern  
The power supply and ground lines must be as short and thick as possible to reduce line impedance. Fluctuating voltage on the power ground line may damage the device.
- 11) External capacitor  
When using external ceramic capacitors, consider degradation in the nominal capacitance value due to DC bias and changes in the capacitance with temperature.

●Product designation

BU 9 2 5 3

Part Number  
BU9253

AS

Package type  
AS: SDIP18  
FS: SSOP-A16

E 2

Package and forming specifications  
E2: Embossed tape and reel

BU 9 2 6 2 A

Part Number  
BU9262A

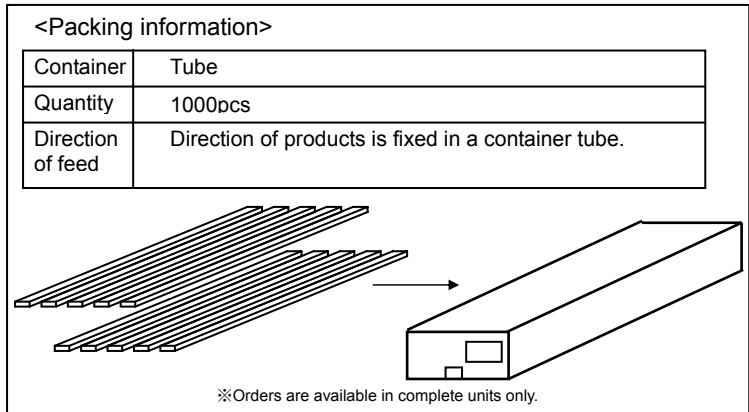
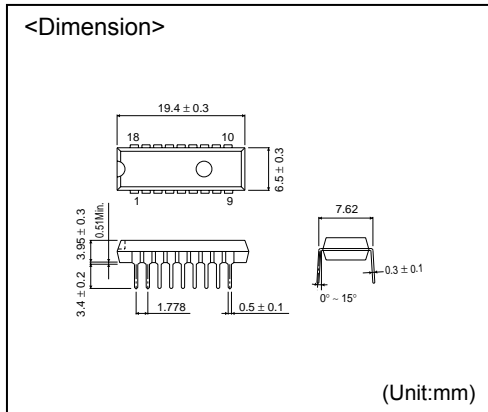
FS

Package type  
FS: SSOP-A32

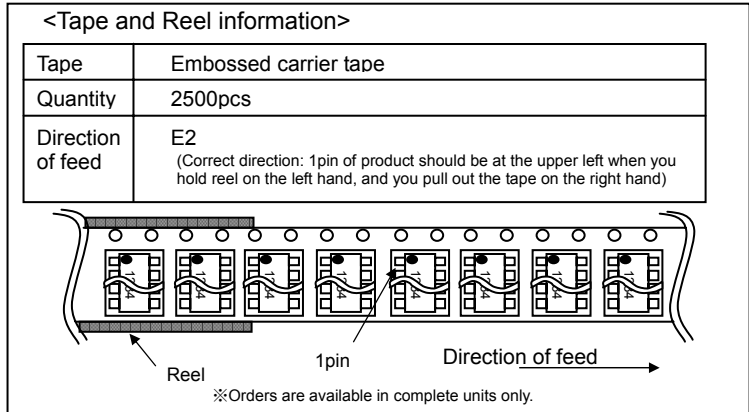
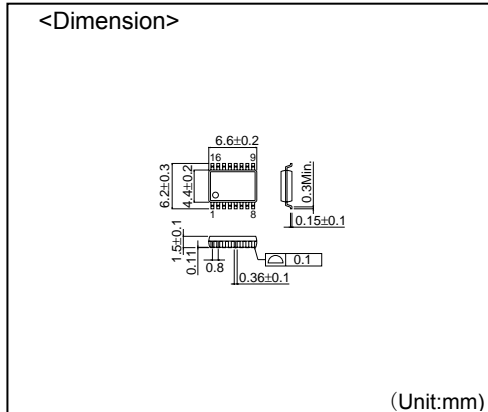
E 2

Package and forming specifications  
E2: Embossed tape and reel

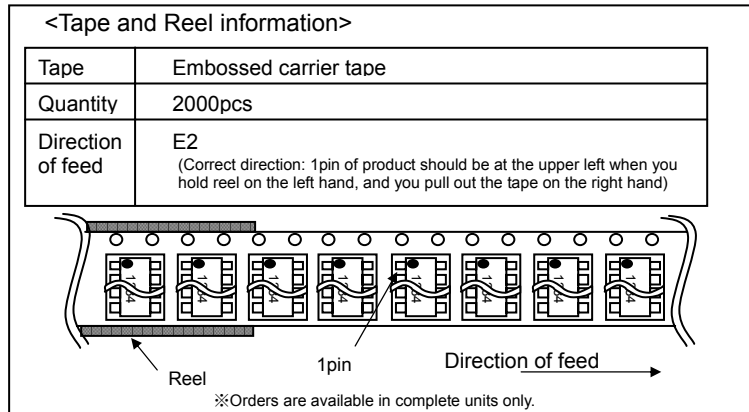
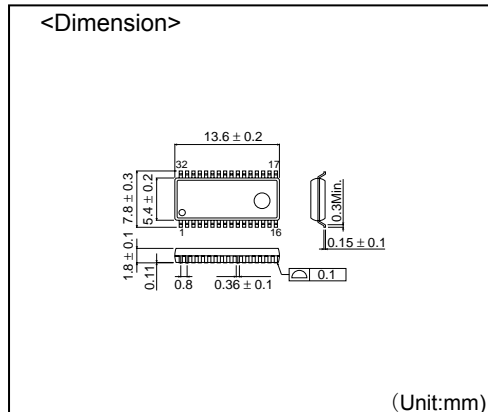
**SDIP18**



**SSOP-A16**



**SSOP-A32**



- The contents described herein are correct as of April, 2006
- The contents described herein are subject to change without notice. For updates of the latest information, please contact and confirm with ROHM CO.,LTD.
- Any part of this application note must not be duplicated or copied without our permission.
- Application circuit diagrams and circuit constants contained herein are shown as examples of standard use and operation. Please pay careful attention to the peripheral conditions when designing circuits and deciding upon circuit constants in the set.
- Any data, including, but not limited to application circuit diagrams and information, described herein are intended only as illustrations of such devices and not as the specifications for such devices. ROHM CO.,LTD. disclaims any warranty that any use of such devices shall be free from infringement of any third party's intellectual property rights or other proprietary rights, and further, assumes no liability of whatsoever nature in the event of any such infringement, or arising from or connected with or related to the use of such devices.
- Upon the sale of any such devices, other than for buyer's right to use such devices itself, resale or otherwise dispose of the same, implied right or license to practice or commercially exploit any intellectual property rights or other proprietary rights owned or controlled by ROHM CO., LTD. is granted to any such buyer.
- The products described herein utilize silicon as the main material.
- The products described herein are not designed to be X ray proof.

The products listed in this catalog are designed to be used with ordinary electronic equipment or devices (such as audio visual equipment, office-automation equipment, communications devices, electrical appliances and electronic toys). Should you intend to use these products with equipment or devices which require an extremely high level of reliability and the malfunction of which would directly endanger human life (such as medical instruments, transportation equipment, aerospace machinery, nuclear-reactor controllers, fuel controllers and other safety devices), please be sure to consult with our sales representative in advance.

Excellence in Electronics

# ROHM

## ROHM CO., LTD.

21, Saiin Mizosaki-cho, Ukyo-ku, Kyoto  
615-8585, Japan  
TEL: (075)311-2121 FAX: (075)315-0172  
URL <http://www.rohm.com>

Published by  
LSI Application Engineering Dept.

Contact us for further information about the products.

**Atlanta U.S.A. / ROHM ELECTRONICS ATLANTA SALES OFFICE**  
(DIVISION OF ROHM ELE.U.S.A.,LLC)  
TEL: +1(770)754-5972 FAX: +1(770)754-0691

**Dallas U.S.A. / ROHM ELECTRONICS DALLAS SALES OFFICE**  
(DIVISION OF ROHM ELE.U.S.A.,LLC)  
TEL: +1(972)312-8818 FAX: +1(972)312-0330

**San Diego U.S.A. / ROHM ELECTRONICS SAN DIEGO SALES OFFICE**  
(DIVISION OF ROHM ELE.U.S.A.,LLC)  
TEL: +1(619)444-0100 FAX: +1(619)444-0100

**Germany / ROHM ELECTRONICS GMBH (GERMANY)**  
TEL: +49(2154)9210 FAX: +49(2154)921400

**United Kingdom / ROHM ELECTRONICS GMBH (UK)**  
TEL: +44(0)1908-306700 FAX: +44(0)1908-235788

**France / ROHM ELECTRONICS GMBH (FRANCE)**  
TEL: +33(0)1 56 97 30 60 FAX: +33(0)1 56 97 30 80

**Hong Kong China / ROHM ELECTRONICS (H.K.) CO., LTD.**  
TEL: +852(2)7406262 FAX: +852(2)375-8971

**Shanghai China / ROHM ELECTRONICS (SHANGHAI) CO., LTD.**  
TEL: +86(21)6279-2727 FAX: +86(21)6247-2085

**Dalian China / ROHM ELECTRONICS TRADING (DALIAN) CO., LTD.**  
TEL: +86(411)8230-8549 FAX: +86(411)8230-8537

**Beijing China / BEIJING REPRESENTATIVE OFFICE**  
TEL: +86(10)8525-2483 FAX: +86(10)8525-2489

**Taiwan / ROHM ELECTRONICS TAIWAN CO., LTD.**  
TEL: +886(2)2500-6956 FAX: +886(2)2503-2869

**Korea / ROHM ELECTRONICS KOREA CORPORATION**  
TEL: +82(2)8162-700 FAX: +82(2)8162-715

**Singapore / ROHM ELECTRONICS ASIA PTE.LTD. (RES/REI)**  
TEL: +65-6332-2322 FAX: +65-6332-5662

**Malaysia / ROHM ELECTRONICS (MALAYSIA) SDN. BHD.**  
TEL: +60(3)7958-8355 FAX: +60(3)7958-8377

**Philippines / ROHM ELECTRONICS (PHILIPPINES) SALES CORPORATION**  
TEL: +63(2)807-8872 FAX: +63(2)809-1422

**Thailand / ROHM ELECTRONICS (THAILAND) CO., LTD.**  
TEL: +66(2)254-4890 FAX: +66(2)256-6334



### Notes

- No technical content pages of this document may be reproduced in any form or transmitted by any means without prior permission of ROHM CO.,LTD.
- The contents described herein are subject to change without notice. The specifications for the product described in this document are for reference only. Upon actual use, therefore, please request that specifications to be separately delivered.
- Application circuit diagrams and circuit constants contained herein are shown as examples of standard use and operation. Please pay careful attention to the peripheral conditions when designing circuits and deciding upon circuit constants in the set.
- Any data, including, but not limited to application circuit diagrams information, described herein are intended only as illustrations of such devices and not as the specifications for such devices. ROHM CO.,LTD. disclaims any warranty that any use of such devices shall be free from infringement of any third party's intellectual property rights or other proprietary rights, and further, assumes no liability of whatsoever nature in the event of any such infringement, or arising from or connected with or related to the use of such devices.
- Upon the sale of any such devices, other than for buyer's right to use such devices itself, resell or otherwise dispose of the same, no express or implied right or license to practice or commercially exploit any intellectual property rights or other proprietary rights owned or controlled by
- ROHM CO., LTD. is granted to any such buyer.
- Products listed in this document are no antiradiation design.

The products listed in this document are designed to be used with ordinary electronic equipment or devices (such as audio visual equipment, office-automation equipment, communications devices, electrical appliances and electronic toys).

Should you intend to use these products with equipment or devices which require an extremely high level of reliability and the malfunction of which would directly endanger human life (such as medical instruments, transportation equipment, aerospace machinery, nuclear-reactor controllers, fuel controllers and other safety devices), please be sure to consult with our sales representative in advance.

It is our top priority to supply products with the utmost quality and reliability. However, there is always a chance of failure due to unexpected factors. Therefore, please take into account the derating characteristics and allow for sufficient safety features, such as extra margin, anti-flammability, and fail-safe measures when designing in order to prevent possible accidents that may result in bodily harm or fire caused by component failure. ROHM cannot be held responsible for any damages arising from the use of the products under conditions out of the range of the specifications or due to non-compliance with the NOTES specified in this catalog.

Thank you for your accessing to ROHM product informations.

More detail product informations and catalogs are available, please contact your nearest sales office.

**ROHM** Customer Support System

THE AMERICAS / EUROPE / ASIA / JAPAN

[www.rohm.com](http://www.rohm.com)

Contact us : [webmaster@rohm.co.jp](mailto:webmaster@rohm.co.jp)