

ISL29038

Low Power Ambient Light and Proximity Sensor with Enhanced Infrared Rejection

FN7851  
Rev 1.00  
January 23, 2015

The ISL29038 is a low power Ambient Light Sensor (ALS) and proximity (PROX) sensor. It has a built-in IR-LED driver for proximity function. The ALS function measures the amount of light (in the visible spectrum) incident on the ISL29038.

The ALS function has a programmable ambient IR-rejection, which allows fine tuning of light source variations and is ideal for light sensor applications under dark protective glass. The ALS provides a 12-bit measurement. A passive optical filter removes unwanted wavelengths (IR or Ultraviolet) to ensure accurate ALS measurement.

The proximity function includes a new offset adjustment to compensate for the IR light reflected off the inside of the protective glass cover and back to the ISL29038 sensor. This offset adjustment allows the sensor to compensate for these internal reflections and preserve the dynamic range of the proximity measurement.

The built-in current-driver pulses an external infrared LED at a programmed current for 90µs. The infrared light that is reflected and received by ISL29038 is digitized by an 8-bit ADC. The proximity sensor also has a passive optical filter designed to pass IR and reject visible wavelengths.

The ISL29038 provides a hardware pin to indicate an interrupt event. The interrupt pin saves power as the host microcontroller can 'wake-up' on an interrupt event and does not need to poll the device for an interrupt event. The interrupt generator is user configurable and provides several options for ALS and PROX trigger configurations. The ISL29038 supports an SMBus compatible I<sup>2</sup>C interface for configuration and control.

Features

- Ideal for applications under dark or tinted glass
- Enhanced ambient sunlight rejection to 40k Lux
- Programmable proximity sleep time between proximity measurements optimizes power consumption
- Hardware interrupt - no polling required
- Programmable IR compensation to fine tune ALS performance for various glass compositions
- Up to 4000 Lux, four selectable ALS ranges
- Programmable IR LED drive current to 250mA
- Operates from 2.25V to 3.63V V<sub>DD</sub>
- Power-down I<sub>DD</sub>, typical 0.2µA<sub>DC</sub>
- Tiny 2.1x2.0x0.7 (mm) ODFN package

Applications

- Display dimming and adjustment
  - Mobile devices: smart phones, PDA, GPS
  - Computing: monitors, laptops, notebooks
  - Picture frames, tablet\_PCs, LCD\_TV
- Object detection
  - Touchscreen disabling
  - Smart power-saving

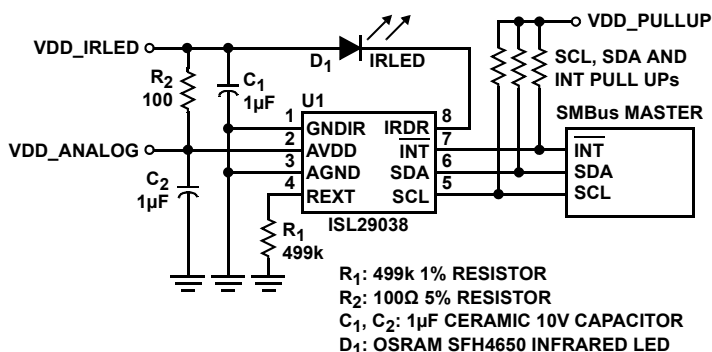


FIGURE 1. TYPICAL APPLICATIONS CIRCUIT

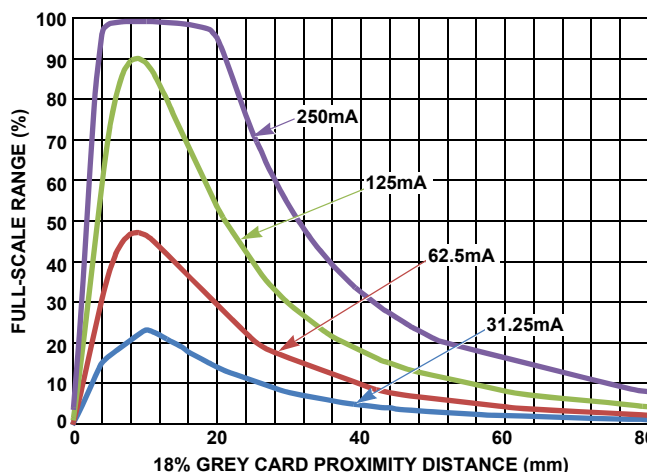


FIGURE 2. PROXIMITY SENSITIVITY

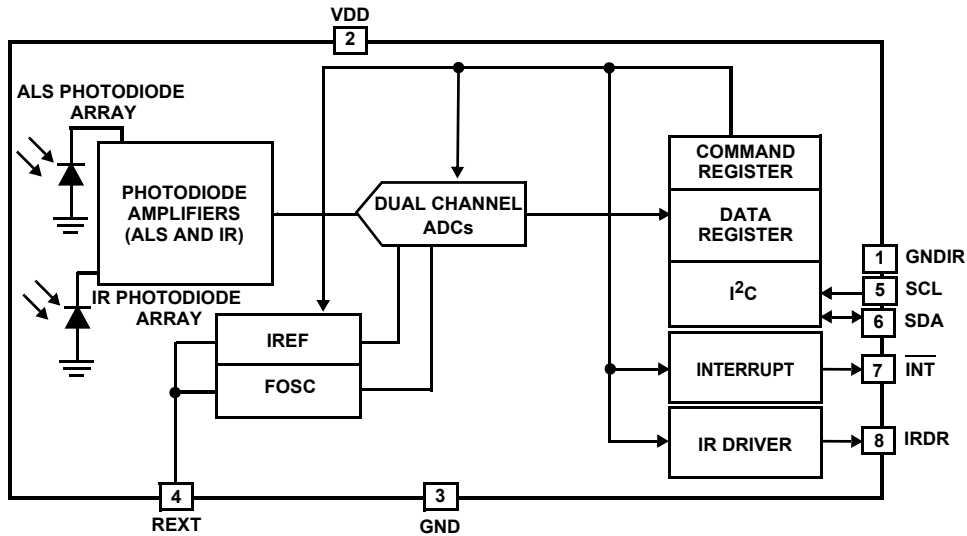
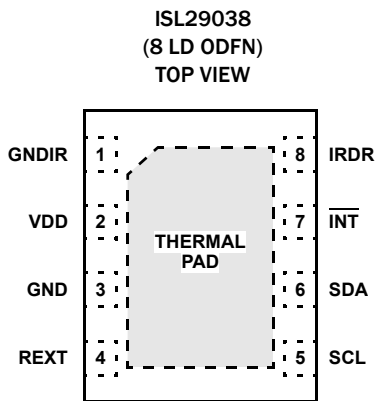


FIGURE 3. ISL29038 BLOCK DIAGRAM

## Pin Configuration



## Pin Description

PIN#	NAME	DESCRIPTION
1	GNDIR	Ground for IRDR LED Current.
2	VDD	Positive supply: 2.25V to 3.63V.
3	GND	Ground.
4	REXT	External Resistor, Connect to GND pin through a 499kΩ, 1% resistor.
5	SCL	I <sup>2</sup> C Serial Clock Input.
6	SDA	I <sup>2</sup> C Serial Data Input/Output.
7	INT	Active Low, Open-Drain Output.
8	IRDR	IR-LED Driver Sink - Connect to IR LED Cathode.
-	TPAD	Thermal Pad - Connect to GND.

## Ordering Information

PART NUMBER (Notes 1, 2, 3)	PART MARKING	V <sub>DD</sub> RANGE (V)	TEMP RANGE (°C)	PACKAGE	PKG. DWG. #
ISL29038IROZ-T7	N/A	2.25 to 3.63	-40 to +85	8 Lead ODFN	L8.2.1x2.0
ISL29038IROZ-EVALZ	Evaluation Board				

### NOTES:

1. Refer to [TB347](#) for details on reel specifications.
2. These Intersil Pb-free plastic packaged products employ special Pb-free material sets; molding compounds/die attach materials and NiPdAu plate-e4 termination finish, which is RoHS compliant and compatible with both SnPb and Pb-free soldering operations. Intersil Pb-free products are MSL classified at Pb-free peak reflow temperatures that meet or exceed the Pb-free requirements of IPC/JEDEC J STD-020.
3. For Moisture Sensitivity Level (MSL), see device information page for [ISL29038](#). For more information on MSL see techbrief [TB477](#).

## Absolute Maximum Ratings

V <sub>DD</sub> Supply Voltage between VDD and GND	4.0V
I <sup>2</sup> C Bus Pin Voltage (SCL, SDA)	-0.5V to 4.0V
I <sup>2</sup> C Bus Pin Current (SCL, SDA)	<10mA
REXT Pin Voltage	-0.5V to VDD + 0.5V
IRDR Pin Voltage	5.5V
INT Pin Voltage	-0.5V to 4.0V
INT Pin Current	<10mA
ESD Rating	
Human Body Model (Note 6)	2kV

## Thermal Information

Thermal Resistance (Typical)	$\theta_{JA}$ (°C/W)	$\theta_{JC}$ (°C/W)
8 Ld ODFN (Notes 4, 5)	88	14
Maximum Die Temperature	+90°C	
Storage Temperature	-40°C to +100°C	
Operating Temperature	-40°C to +85°C	
Pb-Free Reflow Profile (*)	see <a href="#">TB477</a>	
*Peak temperature during solder reflow +260°C max		

CAUTION: Do not operate at or near the maximum ratings listed for extended periods of time. Exposure to such conditions may adversely impact product reliability and result in failures not covered by warranty.

### NOTES:

- $\theta_{JA}$  is measured in free air with the component mounted on a high effective thermal conductivity test board with “direct attach” features. See Tech Brief [TB379](#).
- For  $\theta_{JC}$ , the “case temp” location is the center of the exposed metal pad on the package underside.
- Tested per JESD22-A114E, ESD on all pins is 2kV except IRDR, which is 1.5kV.

## Electrical Specifications

V<sub>DD</sub> = 3.0V, T<sub>A</sub> = +25°C, R<sub>EXT</sub> = 499kΩ 1% tolerance.

PARAMETER	DESCRIPTION	TEST CONDITION	MIN (Note 7)	TYP	MAX (Note 7)	UNITS
<b>INPUT POWER</b>						
V <sub>DD</sub>	Power Supply Range		2.25	3.0	3.63	V
I <sub>DD_OFF</sub>	Supply Current when Powered Down	ALS_EN = 0; PROX_EN = 0		0.2	1.0	μA
I <sub>DD_NORM</sub>	Supply Current for ALS+Prox in Sleep Time	ALS_EN = 1; PROX_EN = 1		125	140	μA
I <sub>DD_PRX_SLP</sub>	Supply Current for Prox in Sleep Time	ALS_EN = 0; PROX_EN = 1		95		μA
I <sub>DD_ALS</sub>	Supply Current for ALS	ALS_EN = 1; PROX_EN = 0		95		μA
<b>ADC (ALS AND PROX)</b>						
t <sub>INTGR_ALS</sub>	12-bit ALS Conversion Time		80	95	110	ms
t <sub>INTGR_PROX</sub>	8-bit Prox Conversion Time		0.4	0.50	0.6	ms
DATA <sub>ALS_0</sub>	ALS Result when Dark	E <sub>AMBIENT</sub> = 0 Lux, 2k range		1		Counts
DATA <sub>ALS_F</sub>	Full-Scale ALS ADC Code	E <sub>AMBIENT</sub> > selected range maximum Lux			4095	Counts
$\frac{\Delta DATA_1}{DATA}$	Output Variation Over Light Sources: Fluorescent, Incandescent and Sunlight	Ambient light sensing, no cover glass After programmable active IR compensation (Note 8)		±10		%
$\frac{\Delta DATA_2}{DATA}$	Output Variation Over Light Sources: Fluorescent, Incandescent and Sunlight	Ambient light sensing under cover glass After programmable active IR compensation (Note 8)		±10		%
Linearity	ALS ADC Data Linearity	20% - 80% of full range		±5		%
DATA <sub>ALS_0</sub>	Light Count, ALS_Range 125 Lux	E = 50 Lux (Note 9), ALS_RANGE = 0	1555	1767	1979	Counts
DATA <sub>ALS_1</sub>	Light Count, ALS_Range 250 Lux	E = 50 Lux (Note 9), ALS_RANGE = 1	771	876	981	Counts
DATA <sub>ALS_2</sub>	Light Count, ALS_Range 2000 Lux	E = 300 Lux (Note 9), ALS_RANGE = 2	585	665	745	Counts
DATA <sub>ALS_3</sub>	Light Count, ALS_Range 4000 Lux	E = 300 Lux (Note 9), ALS_RANGE = 3	292	331	371	Counts
DATA <sub>PROX_0</sub>	Prox Data without Object in Path			1		Counts
DATA <sub>PROX_F</sub>	Full-Scale Prox ADC Code				255	Counts

**Electrical Specifications**  $V_{DD} = 3.0V$ ,  $T_A = +25^\circ C$ ,  $R_{EXT} = 499k\Omega$  1% tolerance. (Continued)

PARAMETER	DESCRIPTION	TEST CONDITION	MIN (Note 7)	TYP	MAX (Note 7)	UNITS
ProxWASH	Washout Bit Activation Level	Norwood Solar Emulator		40k		Lux
ProxOffsetMax	Maximum PROX Offset, Referenced to Proximity ADC Range				512	LSB
ProxOffsetInc	Proximity Offset Adjust Increment Referenced to Proximity ADC Range			27		LSB
<b>LED DRIVER (IRDR PIN)</b>						
$t_r$	Rise Time for IRDR Sink Current	$R_{LOAD} = 15\Omega$ at IRDR pin, 20% to 80%		25		ns
$t_f$	Fall time for IRDR Sink Current	$R_{LOAD} = 15\Omega$ at IRDR pin, 80% to 20%		15		ns
$I_{IRDR\_0}$	IRDR Sink Current	PROX_DR = 0; $V_{IRDR} = 0.5V$		31.25		mA
$I_{IRDR\_1}$	IRDR Sink Current	PROX_DR = 1; $V_{IRDR} = 0.5V$		62.5		mA
$I_{IRDR\_2}$	IRDR Sink Current	PROX_DR = 2; $V_{IRDR} = 0.5V$		125		mA
$I_{IRDR\_3}$	IRDR Sink Current	PROX_DR = 3; $V_{IRDR} = 0.5V$		250		mA
$I_{IRDR\_LEAK}$	IRDR Leakage Current	PROX_EN = 0; $V_{IRDR} = 3.63V$		0.001	1	$\mu A$
$V_{IRDR}$	IRDR Pin Voltage Compliance	Register bit PROX_DR = 0	0.50		4.3	V
$t_{PULSE}$	$I_{IRDR}$ On Time Per PROX Reading			90		$\mu s$
<b>MISCELLANEOUS</b>						
$V_{REF}$	Voltage of REXT Pin	ALS_EN = 1 or PROX_EN = 1		0.52		V

**I<sup>2</sup>C Electrical Specifications** For SCL and SDA unless otherwise noted,  $V_{DD} = 3V$ ,  $T_A = +25^\circ C$ ,  $R_{EXT} = 499k\Omega$  1% tolerance (Note 11).

SYMBOL	PARAMETER	TEST CONDITIONS	MIN (Note 7)	TYP	MAX (Note 7)	UNITS
$V_{I^2C}$	Supply Voltage Range for I <sup>2</sup> C Interface		1.7		3.63	V
$f_{SCL}$	SCL Clock Frequency				400	kHz
$V_{IL}$	SCL and SDA Input Low Voltage				0.55	V
$V_{IH}$	SCL and SDA Input High Voltage		1.25			V
$V_{hys}$	Hysteresis of Schmitt Trigger Input		0.05 $V_{DD}$			V
$V_{OL}$	Low-level Output Voltage (open-drain) at 4mA Sink Current				0.4	V
$I_i$	Input Leakage for each SDA, SCL Pin		-10		10	$\mu A$
$t_{SP}$	Pulse Width of Spikes that must be Suppressed by the Input Filter				50	ns
$t_{AA}$	SCL Falling Edge to SDA Output Data Valid				900	ns
$C_i$	Capacitance for each SDA and SCL Pin				10	pF
$t_{HD:STA}$	Hold Time START Condition	After this period, the first clock pulse is generated	600			ns
$t_{LOW}$	LOW Period of the SCL Clock	Measured at the 30% of VDD crossing	1300			ns
$t_{HIGH}$	HIGH Period of the SCL Clock		600			ns
$t_{SU:STA}$	Set-up Time for a START Condition		600			ns
$t_{HD:DAT}$	Data Hold Time		30			ns
$t_{SU:DAT}$	Data Set-up Time		100			ns

**I<sup>2</sup>C Electrical Specifications** For SCL and SDA unless otherwise noted, V<sub>DD</sub> = 3V, T<sub>A</sub> = +25 °C, R<sub>EXT</sub> = 499kΩ 1% tolerance (Note 11). (Continued)

SYMBOL	PARAMETER	TEST CONDITIONS	MIN (Note 7)	TYP	MAX (Note 7)	UNITS
t <sub>R</sub>	Rise Time of both SDA and SCL Signals	(Note 12)	20 + 0.1xC <sub>b</sub>			ns
t <sub>F</sub>	Fall Time of both SDA and SCL Signals	(Note 12)	20 + 0.1xC <sub>b</sub>			ns
t <sub>SU:STO</sub>	Set-up Time for STOP Condition		600			ns
t <sub>BUF</sub>	Bus Free Time Between a STOP and START Condition		1300			ns
C <sub>b</sub>	Capacitive Load for Each Bus Line				400	pF
R <sub>pull-up</sub>	SDA and SCL System Bus Pull-Up Resistor	Maximum determined by t <sub>R</sub> and t <sub>F</sub>	1			kΩ
t <sub>VD:DAT</sub>	Data Valid Time				0.9	μs
t <sub>VD:ACK</sub>	Data Valid Acknowledge Time				0.9	μs
V <sub>nL</sub>	Noise Margin at the LOW Level		0.1V <sub>DD</sub>			V
V <sub>nH</sub>	Noise Margin at the HIGH Level		0.2V <sub>DD</sub>			V

NOTES:

7. Parameters with MIN and/or MAX limits are 100% tested at +25 °C, unless otherwise specified. Temperature limits established by characterization and are not production tested.
8. Cover glass assumes fixed infrared/visible light transmissivity ratio of 10.
9. The LED light source irradiance is calibrated to produce the same ALS count as a fluorescent light source of the same Lux level.
10. An 850nm infrared LED is used in production test for proximity/IR sensitivity testing.
11. All parameters in I<sup>2</sup>C Electrical Specifications table are guaranteed by design and simulation.
12. C<sub>b</sub> is the capacitance of the bus in pF.

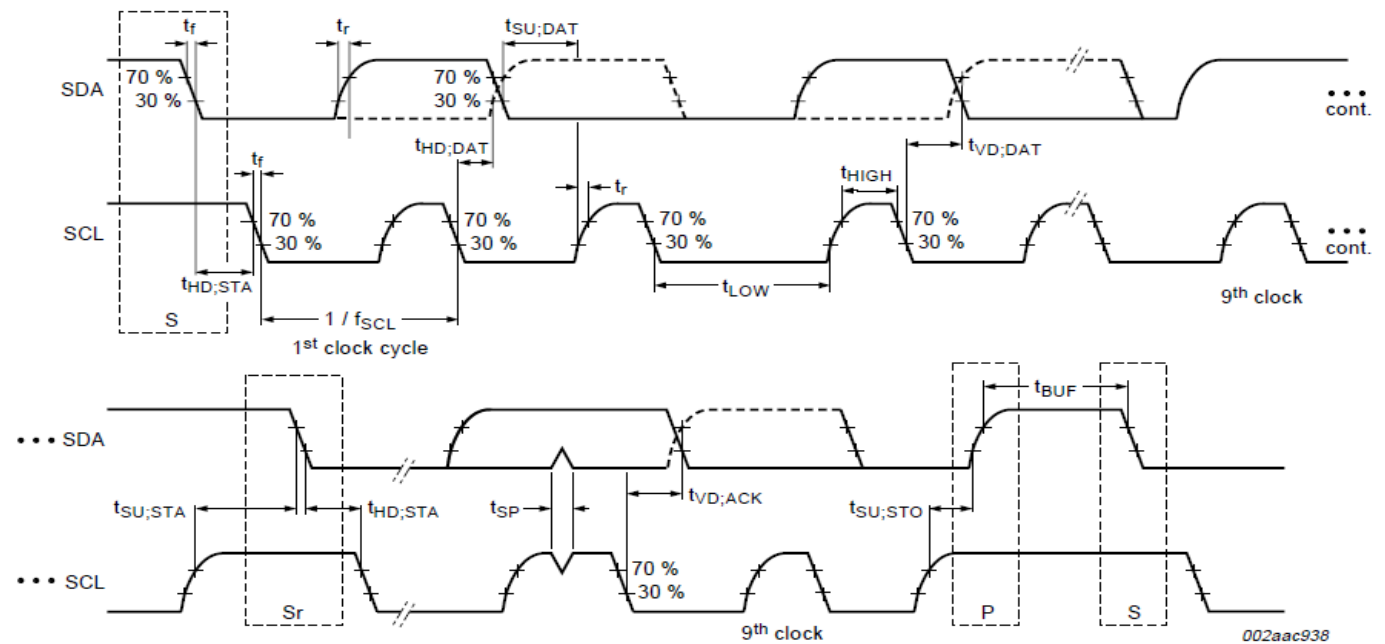


FIGURE 4. I<sup>2</sup>C TIMING DIAGRAM

# ISL29038 Configuration and Control

## I<sup>2</sup>C Interface

ISL29038 configuration and control is performed using the I<sup>2</sup>C or SMBus. The ISL29038's I<sup>2</sup>C interface slave address is internally hard wired as 8'b1000100x, where x denotes the R/W bit.

Every I<sup>2</sup>C transaction begins with the master asserting a start condition (SDA falling while SCL remains high). The first transmitted byte is initiated by the master and includes 7 address bits and a R/W bit. The slave is responsible for pulling SDA low during the ACK time after every transmitted byte.

Figure 5 shows a sample one-byte read. The I<sup>2</sup>C bus master always drives the SCL (clock) line, while either the master or the slave can drive the SDA (data) line.

Each I<sup>2</sup>C transaction ends with the master asserting a stop condition (SDA rising while SCL remains high). For more information about the I<sup>2</sup>C standard, consult the Philips™ I<sup>2</sup>C specification documents.

Timing specifications are included in “[I<sup>2</sup>C Electrical Specifications](#)” on page 4. The timing parameters are defined in [Figure 4](#).

The I<sup>2</sup>C interface on the ISL29038 supports single and multiple byte read and write transfers using the random-read/write protocol. The ISL29038 does not support I<sup>2</sup>C ‘Repeat Start’ protocol.

NOTE: That in most system implementations, the ISL29038 is connected to a single I<sup>2</sup>C master with one or more slave devices, consequently, absence of ‘Repeat Start’ function does not adversely affect I<sup>2</sup>C bus system performance.

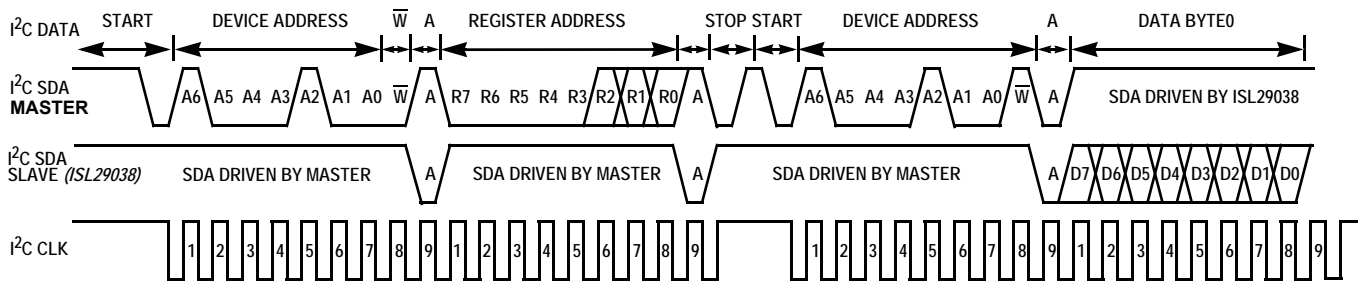


FIGURE 5. I<sup>2</sup>C DRIVER TIMING DIAGRAM FOR MASTER AND SLAVE CONNECTED TO COMMON BUS

## Typical Performance Curves

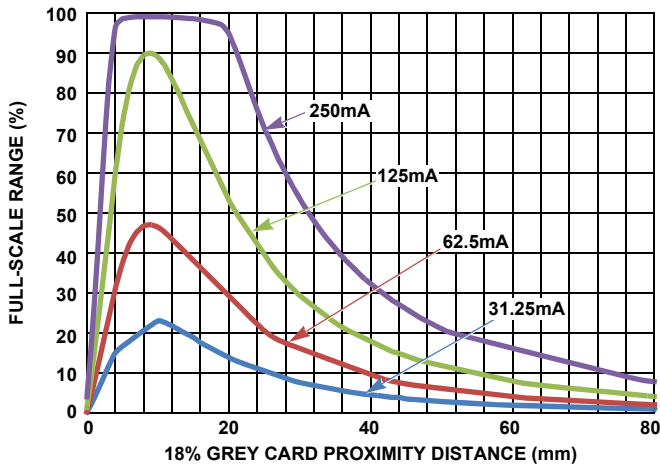


FIGURE 6. PROXIMITY SENSITIVITY (Note 13)

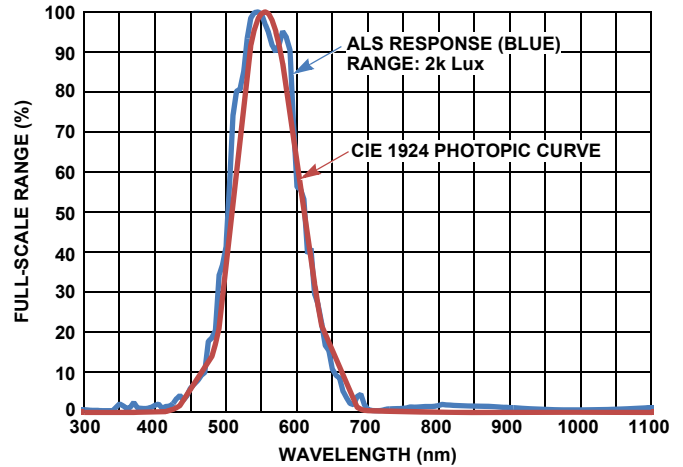


FIGURE 7. ALS SENSITIVITY (Note 14)

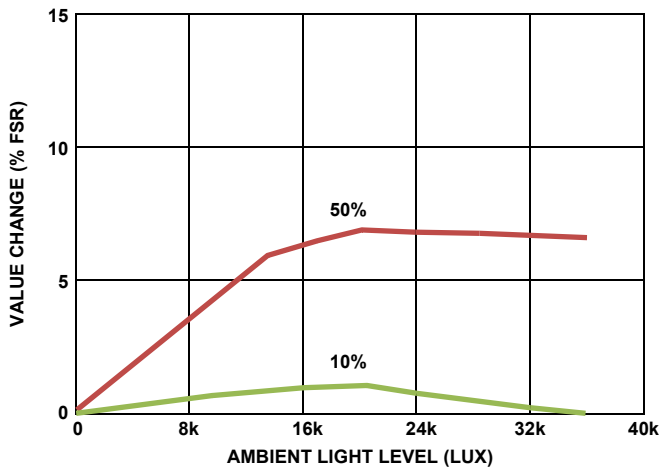


FIGURE 8. PROXIMITY AMBIENT LIGHT REJECTION (Note 15)

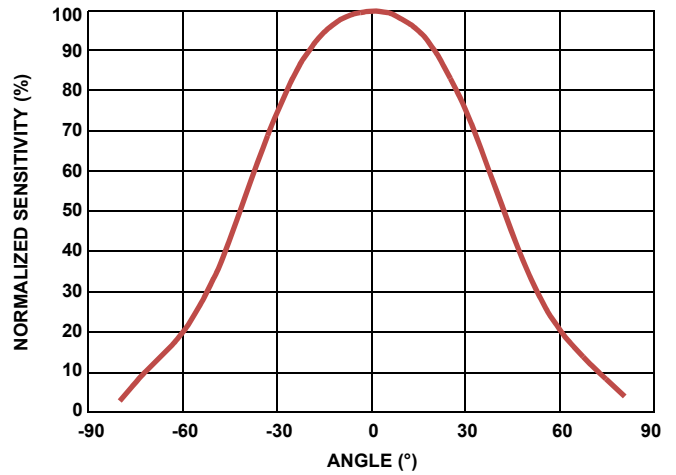


FIGURE 9. ALS ANGULAR SENSITIVITY (Note 16)

**NOTES:**

13. The ISL29038 Proximity distance sweeps with different IRDR LED current settings using an 18% Grey card reflector.
14. The ISL29038 Ambient Light Sensor Spectral response when compared to a theoretical CIE 1924 Photopic curve. The 'Blue' line shows the ISL29038 response and the 'Red' line depicts the CIE 1924 Photopic curve.
15. The ISL29038 Proximity Ambient Light Rejection using a Norwood Solar Emulator. At 40k lux ambient light level, the Proximity Washout Count (Reg 0x0D[7:1]) is 127 indicating a saturation in Proximity Signal processing path. The Proximity Washout bit 0x0D[0] is active at approximately 90% of the maximum level. At 10% initial PROX count (due to optical leakage from IR LED to the ISL29038), the PROX data error is under 2%. At 50% initial PROX count (severe optical leakage), the PROX data error is about 7%.
16. The Ambient Light Sensor Angular Sensitivity of the ISL29038 using a white LED light source.

## ISL29038 Register Set

**TABLE 1. CONFIGURATION AND CONTROL REGISTERS**

ADDRESS (HEX)	REGISTER NAME	POWER-ON DEFAULT	REGISTER ACCESS	BIT FIELDS	FUNCTION NAME/VALUE	FUNCTION
0x00	Device ID	b11000xxx	RO	[7:0]		Device Identification
				[7:3]	[11000]	ISL29038 Device ID
				[2:0]		Reserved
0x01	Config0	0x00	RW	[7:0]		Proximity Configuration
				[7:6]		Reserved
			RW	[5]	PROX_EN	Proximity Enable/Disable
				[1]		Enable
				[0]		Disable
			RW	[4:2]	PROX_SLP	Proximity Sleep Time Select
				[000]		400ms
				[001]		100ms
				[010]		50ms
				[011]		25ms
				[100]		12.5ms
				[101]		6.25ms
				[110]		3.125ms
				[111]		0ms
			RW	[1:0]	IRDR_DRV	IR LED Current
	[00]		31.25mA			
	[01]		62.5mA			
	[10]		125mA			
	[11]		250mA			
0x02	Config1	0x00	RW	[7:0]		Proximity/ALS Configuration
			RW	[7]	INT_ALG	Interrupt Algorithm
				[1]		Window Comparator
				[0]		Hysteresis Window
			RW	[6:3]	PROX_OFFSET	Proximity Offset Compensation
			RW	[2]	ALS_EN	Ambient Light Sensing Enable/Disable
				[1]		Enable
				[0]		Disable
			RW	[1:0]	ALS_RANGE	Ambient Light Sensor Range Select
				[00]		125 Lux
				[01]		250 Lux
	[10]		2000 Lux			
	[11]		4000 Lux			
0x03	Config2	0x00	RW	[7:0]	ALS_IR_COMP	Ambient Light Sensor IR Compensation
			RW	[7:5]		Reserved
			RW	[4:0]	ALSIRComp	ALS Infra Red Compensation (Unsigned Binary)
0x04	INTConfig	0x10	RW	[7:0]	INTConfig	Interrupt Configuration, Status and Control



TABLE 1. CONFIGURATION AND CONTROL REGISTERS (Continued)

ADDRESS (HEX)	REGISTER NAME	POWER-ON DEFAULT	REGISTER ACCESS	BIT FIELDS	FUNCTION NAME/VALUE	FUNCTION	
			RO	[7]	PROX_INT_FLG	Proximity Interrupt Flag	
					[1]		Proximity Interrupt Event
					[0]		No Proximity Interrupt Event
			RW	[6:5]	PROX_PRST		Proximity Interrupt Reporting Persistency
					[00]		$\overline{\text{INT}}$ after 1 Proximity Flag Event
					[01]		$\overline{\text{INT}}$ after 2 Consecutive Proximity Flag Event
					[10]		$\overline{\text{INT}}$ after 4 Consecutive Proximity Flag Event
					[11]		$\overline{\text{INT}}$ after 8 Consecutive Proximity Flag Event
			RO	[4]	PWR_FAIL		Power Failure (Brown-out) Alarm
					[1]		Brown-Out Detected
					[0]		Normal Operation
			RO	[3]	ALS_INT_FLG		Ambient Light Sensor Interrupt Flag
					[1]		ALS Interrupt Flag Event
					[0]		No ALS Interrupt Flag Event
			RW	[2:1]	ALS_INT_PRST		ALS Interrupt Reporting Persistency
		[00]		$\overline{\text{INT}}$ after 1 ALS Flag Event			
		[01]		$\overline{\text{INT}}$ after 2 Consecutive ALS Flag Event			
		[10]		$\overline{\text{INT}}$ after 4 Consecutive ALS Flag Event			
		[11]		$\overline{\text{INT}}$ after 8 Consecutive ALS Flag Event			
RW	[0]	INT_CFG		Interrupt Output (Pin) Configuration			
		[1]		Interrupt if ALS <b>and</b> PROX Event			
		[0]		Interrupt if ALS <b>or</b> PROX Event			
0x05	PROX_INT_TL	0x00	RW	[7:0]	PROX_INT_TL	Proximity Interrupt LOW threshold	
0x06	PROX_INT_TH	0xFF	RW	[7:0]	PROX_INT_TH	Proximity Interrupt HIGH threshold	
0x07	ALS_INT_TL	0x00	RW	[7:0]	ALS_INT_TL1	ALS Interrupt LOW threshold bit[11:4]	
0x08	ALS_INT_TLH	0x0F	RW	[7:0]		ALS Interrupt LOW/HIGH threshold bits	
				[7:4]	ALS_INT_TL0	ALS Interrupt LOW threshold bit[3:0]	
				[3:0]	ALS_INT_TH1	ALS Interrupt HIGH threshold bit[11:8]	
0x09	ALS_INT_TH	0xFF	RW	[7:0]	ALS_INT_TH0	ALS Interrupt HIGH threshold bit[7:0]	
0x0A	PROX_DATA		RO	[7:0]	PROX_DATA	Proximity Data (Unsigned Binary)	
0x0B	ALS_DATA_HB		RO	[7:0]	ALS_DATA_HB	ALS Data HIGH Byte	
				[7:4]		Set to 0000	
				[3:0]		ALS Data Bit[11:8]	
0x0C	ALS_DATA_LB		RO	[7:0]	ALS_DATA_LB	ALS Data Bit[7:0]	
0x0D	PROX_AMBIR		RO	[7:0]	PROX_AMBIR	Proximity Mode Ambient IR Measurement	
				[7:1]		Proximity Mode Ambient IR Component	
			RO	[0]	PROX_WASH	Proximity Washout Status	
				[1]		Proximity Washout Detected	
				[0]		Normal Proximity Operation	
0x0E	Config3	0x00		[7:0]	SoftReset	Software Reset	
					0x38	Initiate Soft Reset	
					0x00	Normal operation	

Registers 0x01, 0x02 are used to configure the primary proximity and ALS parameters. Register 0x03 is used for optimizing IR compensation in ALS measurements. A procedure to optimize IR compensation is described in [“ALS IR Compensation” on page 11](#).

Register 0x04 is the Interrupt Configuration and Status Register, and is used primarily to indicate interrupt events from proximity and ALS measurements. A PWR\_FAIL bit to indicate a ‘Brown-Out’ event is available and is set in case of a power supply interruption. A ‘Brown-Out’ event does not generate a hardware interrupt. The host micro-controller must clear this bit by writing a ‘0’ to Reg 0x04[4].

Register 0x04 is also used to configure ALS and Proximity interrupt persistency and the operation of the INT pin.

Registers 0x05 and 0x06 are used to set the proximity ‘LOW’ and ‘HIGH’ threshold for proximity interrupt event generation.

Registers 0x07, 0x08 and 0x09 are used to set the ALS ‘LOW’ and ‘HIGH’ threshold. Two 12-bit numbers span three address locations as shown in [Table 1](#).

Data registers 0x0A holds result of proximity conversion. The proximity result should be validated by ‘Washout’ bit in Reg 0x0D[0]. Registers 0x0B and 0x0C hold results of an ALS measurement.

The ALS data is 12 bits wide. Least Significant Byte of the ALS data is available at address 0x0C and Most Significant Byte (MSB) of ALS data is available at address 0x0B. The MSB is right justified, i.e., the upper nibble is always zero and lower nibble contains four data bits.

Register 0x0D[7:1] contains ambient IR measurement in proximity measurement phase. This measurement is for detecting ambient Washout condition, which is indicated by Reg 0x0D[0] being ‘HIGH’. Proximity ‘Washout’ is described in [“Proximity Ambient Washout Detection” on page 11](#).

A software reset can be initiated by writing 0x38 to Reg 0x0E.

## ISL29038 Operation

### Photodiodes and ADCs

The ISL29038 contains two photodiode arrays, which convert photons (light) into current. The ALS photodiodes are designed to mimic the human eye’s wavelength response curve to visible light. The ALS photodiodes’ current output is digitized by a 12-bit ADC.

The ALS ADC output is accessed by reading from Reg 0x0B and 0x0C when the ADC conversion is completed.

The ALS ADC converter uses a charge-balancing architecture. Charge-balancing is best suited for converting small current signals in the presence of periodic AC noise. The ISL29038 targets an integration time of 90ms, which can vary  $\pm 15\%$  from nominal. The ALS integration time is intended to minimize 60Hz flicker.

The proximity sensor uses an 8-bit ADC, which operates in a similar fashion. The IRDR pin drives (pulses) an infrared LED, the emitted IR reflects off an object back into the ISL29038, and the photo diodes convert the reflected IR to a current signal in 0.5ms. The ADC subtracts the IR reading before and after the LED is driven to remove ambient IR contribution.

The ALS runs continuously with new data available every 90ms. The proximity sensor runs continuously with a time between conversions controlled by PROX\_SLP (Reg 0x01[6:4]).

### Ambient Light Sensing

The ISL29038 is set for ambient light sensing when Register bit ALS\_EN = 1. Four measurement ranges from 125 Lux to 4000 Lux are available. The ALS measurement range is configured via Reg 0x02[1:0].

### Proximity Sensing

When proximity sensing is enabled (PROX\_EN = 1), the external IR LED is driven for 100 $\mu$ s by the built-in IR LED driver through the IRDR pin.

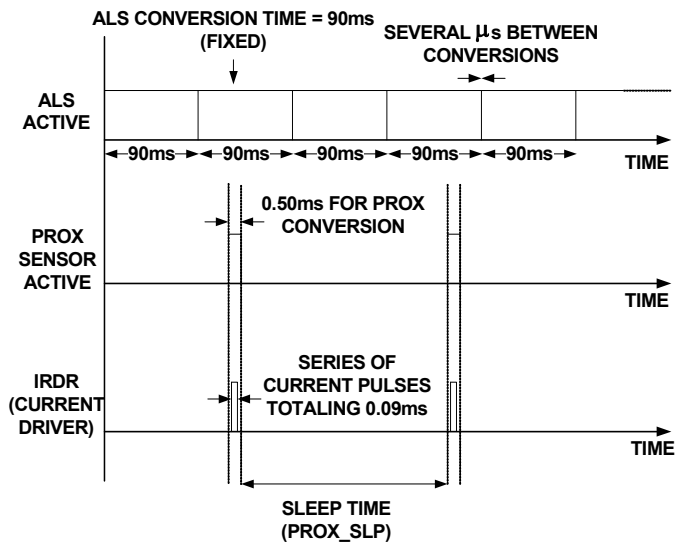


FIGURE 10. TIMING DIAGRAM FOR PROX/ALS EVENTS - NOT TO SCALE

The IR LED current depends on PROX\_DRV (Reg 0x01[1:0]). Drive current settings are as shown in [Table 1](#). IR LED drive is in high impedance state when not active.

When the IR from the LED reaches an object and gets reflected back to the ISL29038, the reflected IR light is converted into a current. This current is converted to digital data using an 8-bit ADC. The proximity measurement takes 0.5ms for one conversion including the 90 $\mu$ s LED drive time. The period between proximity measurements is determined by PROX\_SLP (sleep time) in Reg 0x01[4:2].

Average LED driving current consumption is given by [Equation 1](#).

$$I_{\text{IRDR:AVE}} = \frac{I_{\text{IRDR:PEAK}} \times 90\mu\text{s}}{T_{\text{SLEEP}}} \quad (\text{EQ. 1})$$

A typical IRDR scheme is 250mA pulses every 400ms, averaging about 56 $\mu$ A DC.

### Total Current Consumption

Total current consumption is the sum of  $I_{\text{DD}}$  and  $I_{\text{IRDR}}$ . The IRDR pin sinks current and the average IRDR current is calculated using [Equation 1](#). The  $I_{\text{DD}}$  depends on voltage and the mode of operation. For simplicity, [Equation 1](#) ignores proximity ADC conversion time since it is much smaller than the sleep time.

## ALS IR Compensation

The ISL29038 is designed for operation under dark glass cover. Glass or plastic covers can significantly attenuate visible light and pass the Infrared light without much attenuation. Consequently, the ISL29038 under a glass cover experiences an IR rich environment.

The on-chip ALS passive optical filter on the ISL29038 is designed to block most of the IR incident on the ALS photo diodes. In addition, the ISL29038 provides a programmable active IR compensation that subtracts residual IR still reaching the sensor.

The ALS\_IR\_COMP register (Reg 0x03[4:0]) allows fine tuning of the residual infrared component from the ALS output.

The recommended procedure for determining ALS IR compensation is as follows:

- Illuminate the ISL29038 based product with a light source without IR, such as a white LED. Record the ALS measurement and the Lux level.
- Illuminate the device with an IR LED and the White LED. Take an ALS measurement and Lux level measurement.
- Adjust the ALS\_IR\_COMP register (Reg 0x03, bits 4:0) to compensate for the IR contribution.
- Repeat steps above until the IR light source contribution to the ALS measurement is under 10 percent assuming no change in Lux level due to IR light source.

## Proximity Offset

Systems built with a protective glass cover over the ISL29038 can provide light 'leakage' or 'crosstalk' from the IR LED by reflection from the glass saturating the proximity sensor measurement system ([Figure 11](#)).

Saturation can occur when the reflection from the glass with no object in the proximity detection space exceeds the full scale of the measurement system. The ISL29038 proximity system provides a user programmable proximity offset correction to compensate for this reflection.

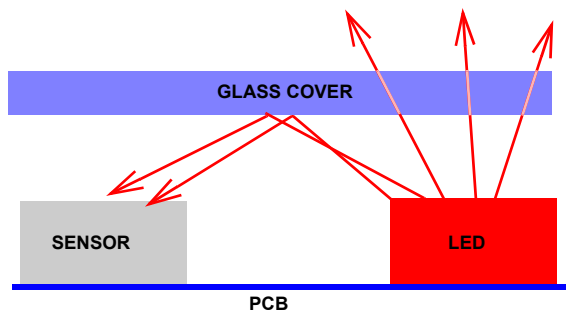


FIGURE 11. PROXIMITY SET-UP HIGHLIGHTING CROSSTALK REFLECTED FROM COVER GLASS

The PROX\_IR\_COMP register (Reg 0x02[6:3]) applies a corrective offset to the received signal prior to ADC conversion, which allows the signal to be brought within the usable range of the proximity measurement system.

## Proximity Ambient Washout Detection

Optical proximity sensor can saturate when illuminated with excessive ambient light. The ISL29038 provides a warning flag when the proximity measurement may be erroneous due to excessive ambient light. The PROX\_WASH register (Reg 0x0D[0]) reports this condition.

## Interrupts Events

The ISL29038 interrupts are designed to minimize host microcontroller overhead of continuous polling. The ISL29038 can generate interrupts on the results of an ALS measurement or proximity measurement.

The ALS interrupt event ALS\_FLAG (Reg 0x04[3]) is governed by Reg 0x07 through 0x09. Two-12 bit high and low threshold values are written to these registers. The ISL29038 will set the ALS interrupt flag if the ADC conversion count in Registers 0x0B and 0x0C are outside the programmed thresholds. The ALS\_FLAG is cleared by writing a '0' to Reg 0x04[3].

A proximity interrupt event (PROX\_FLAG) is governed by the high and low thresholds in Reg 0x05 and 0x06 (PROX\_LT and PROX\_HT) and is indicated by Reg 0x04[7]. PROX\_FLAG is set when the measured proximity data is more than the higher threshold. The proximity interrupt flag is cleared when the proximity data is lower than the low proximity threshold or by writing a '0' to Reg 0x04[7].

The Proximity interrupt generation can be selected between 'out-of-window' threshold and hysteresis schemes. When the PROX\_INT\_ALG register (Reg 0x02, Bit 7) is set to 0, proximity uses a window comparator scheme; when set to 1, proximity uses a hysteresis scheme.

In hysteresis mode, the interrupt event is generated if the proximity ADC count is higher than the PROX\_HT threshold and the interrupt event is cleared when the proximity ADC count is less than the PROX\_LT threshold. The interrupt event flag can also be cleared by writing a '0' to Reg 0x04[7].

## INTERRUPT PERSISTENCE

To minimize interrupt events due to 'transient' conditions, an interrupt persistency option is available for both ALS and proximity measurements. Persistency requires 'X-consecutive' interrupt flags before the INT pin is driven low. Both ALS and PROX have their own independent interrupt persistency options. ALS\_PRST and PROX\_PRST configuration are controlled from Reg 0x04.

## Power-Up and 'Brown-Out' Reset

The ISL29038 has an enhanced power-on-reset system. A 'Brown-Out' detector flag in Reg 0x04[4] informs the system that the device has powered-up properly. This flag should be reset as part of the initialization sequence.

A 'Brown-Out' condition is defined as an operating condition when the power supply voltage is not within the specified limits.

During the brown-out period at power-up, the I<sup>2</sup>C interface and the IR LED driver are inactive. Following brown-out, the I<sup>2</sup>C interface is re-initialized and the configuration registers are set to power-up default values. After power-up and during device initialization, host should examine that the PWR\_FAIL flag

(Reg 0x04[4]) is set and then clear the flag by writing '0' to Reg 0x04[4].

Following power-up, a 'Brown-Out' condition, if detected, is reported by PWR\_FAIL flag by Reg 0x04[4]. Device configuration registers are not set to their power-up default after 'Brown-Out'. PWR\_FAIL flag should be periodically monitored to detect post power-up power supply interruption.

## Power-Down

Setting ALS\_EN (Reg 0x02[2]) and PROX\_EN (Reg 0x01[5]) to '0' puts the ISL29038 into a power-down state with power supply current dropping to less than 1 $\mu$ A. All configuration registers are maintained in power-down mode.

## Soft Reset

A software reset to ISL29038 can be initiated by writing 0x38 to Reg 0x0E. Following reset, all configuration registers are set to their default power-up state. After soft reset, the ISL29038 defaults to the power-down configuration.

## ALS Data Count Read Out

A 2 byte I<sup>2</sup>C read from ALS\_DATA\_HB outputs MSB 1<sup>st</sup> data on SDA. This data is LSB justified with a zero fill for unused bits.

NOTE: That the MSB byte address precedes the LSB byte address. The ALS count is 256\*(ALS\_DATA\_HB) + ALS\_DATA\_LB.

## Proximity Detection of Various Objects

Proximity sensing relies on the amount of IR reflected back from objects. A perfect black object would absorb all incident light and reflect no photons. The ISL29038 is sensitive enough to detect black ESD foam, which reflects only 1% of IR. Blonde hair typically reflects more than brown hair and skin tissue is more reflective than human hair.

IR penetrates into the skin and is reflected from within. As a result, the proximity count generally peaks at contact and monotonically decreases as skin moves away. The reflective characteristics of skin are very different from that of an inanimate object such as paper.

## Typical Application Circuit

A typical application circuit for the ISL29038 is shown in [Figure 12](#). The ISL29038's I<sup>2</sup>C address is internally hard wired as '1000100x', with x representing the R/W bit. The device can be connected to a system's I<sup>2</sup>C bus together with other I<sup>2</sup>C compliant devices. It is important to ensure that there is no address conflict with other I<sup>2</sup>C devices on the bus.

The SCL, SDA and  $\overline{\text{INT}}$  pins on ISL29038 are open drain and require pull-up resistors for proper system operation. Values of the pull-up resistors is system dependent and can range from 2.2k to 10k depending upon the number of I<sup>2</sup>C devices on the bus.

The proximity sensing system can be powered using a dual power supply or using a single power supply. In dual supply configuration, the IR LED and the ISL29038 are powered from separate power supplies. The V<sub>DD</sub> IRLED can range from 2.25V to 5.0V and the V<sub>DD</sub>\_ANALOG can range from 2.25V to 3.63V. In dual supply configuration, resistor R<sub>2</sub> should not be installed.

In single supply configuration, the IR LED and the ISL29038 are powered from the same power source. The V<sub>DD</sub>\_IRLED can range from 2.25V to 3.63V and the V<sub>DD</sub>\_Analog is derived from V<sub>DD</sub>\_IRLED using resistor R<sub>2</sub>.

In either power supply configuration, a 1 $\mu$ F decoupling capacitor should be installed close to the AVDD pin, and another 1 $\mu$ F decoupling capacitor should be placed close to the IR LED anode.

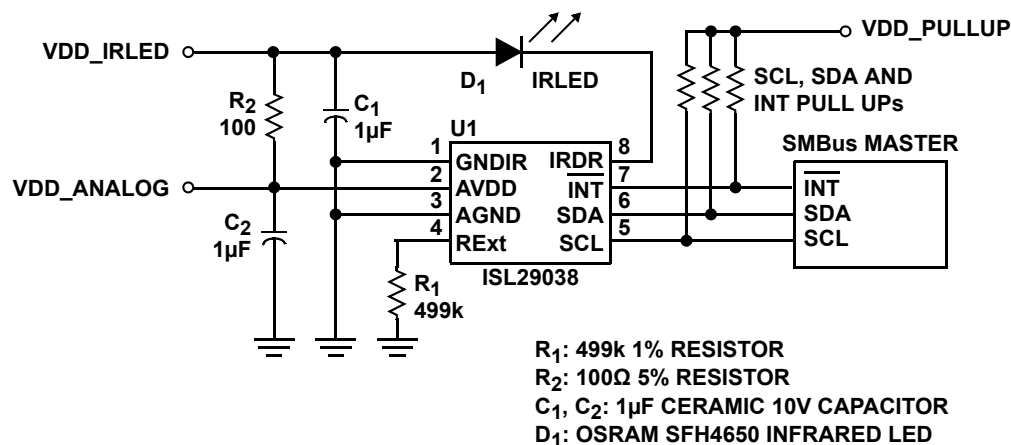


FIGURE 12. TYPICAL APPLICATIONS CIRCUIT

## Soldering Considerations

Convection heating is recommended for reflow soldering; direct-infrared heating is not recommended. The plastic ODFN package does not require a custom reflow soldering profile. A standard reflow soldering profile with a +260 °C maximum is recommended. Additional information regarding soldering ISL29038 is included in Intersil Technical Brief [TB477](#).

### Suggested PCB Footprint

Refer to [TB477](#), "Surface Mount Assembly Guidelines for Optical Dual FlatPack No Lead (ODFN) Package" before starting ODFN product board mounting.

Additional information regarding soldering is also included in Intersil Technical Brief [TB477](#).

## PCB Layout Considerations

The ISL29038 is relatively insensitive to PCB layout. Adherence to the following guidelines will ensure first pass success and best performance.

Route the I<sup>2</sup>C/SMBus SCL, SDA and the INT traces away from sources of switching noise. A 499k 1% tolerance resistor must be connected from the REXT pin to AGND. This node also needs to be isolated from any switching noise.

ISL29038 pins IRGND and AGND should connect to a low impedance ground with low resistance and low inductance traces. Ferrite beads and inductors should be avoided in the ground path. If necessary, due to RF consideration, the effects of DCR (DC resistance) should be evaluated on ALS and Proximity system performance.

A 1μF ceramic decoupling capacitor should be placed as close to the AVDD pin as possible.

The ISL29038 drives the IR LED with 0.09ms current pulses. To supply this pulsed current, a 1 to 10μF bulk decoupling capacitor (C<sub>1</sub>) must be connected from the IR LED anode to the GNDIR pin to minimize instantaneous resistive voltage drop. The connection from IR LED cathode to the IRDR pin should be short and with minimal inductance. Similarly, connection from the IR LED to VDD must be made with a low impedance trace.

For most applications, a single power supply may be used to power the IR LED and the ISL29038. Use of resistor R<sub>2</sub> and capacitor C<sub>2</sub> ([Figure 13](#)) to help filter out the power supply noise generated from IR LED switching is recommended for best ISL29038 performance when using a single power supply. For dual supply operation, resistor R<sub>2</sub> should not be installed.

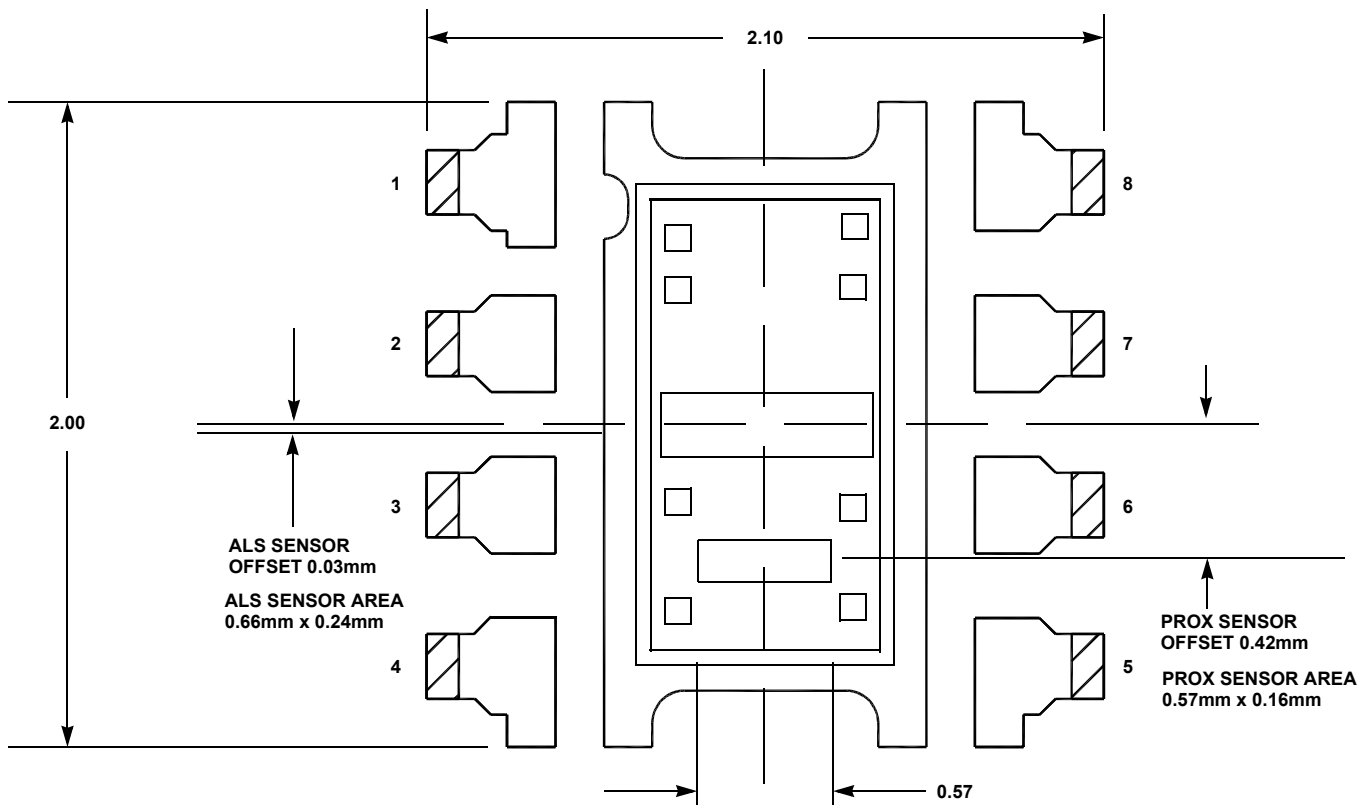


FIGURE 13. 8 LD ODFN SENSOR LOCATION OUTLINE - DIMENSIONS IN mm

## Revision History

The revision history provided is for informational purposes only and is believed to be accurate, but not warranted. Please go to web to make sure you have the latest revision.

DATE	REVISION	CHANGE
January 23, 2015	FN7851.1	Thermal Information table on page 3: changed theta JC value from 10 to 14. Configuration and control registers on page 8; under Reg2 configure1 section: changed Window Comparator from 0 to 1 and Hysteresis Window from 1 to 0.
October 12, 2012	FN7851.0	Initial Release.

## About Intersil

Intersil Corporation is a leading provider of innovative power management and precision analog solutions. The company's products address some of the largest markets within the industrial and infrastructure, mobile computing and high-end consumer markets.

For the most updated datasheet, application notes, related documentation and related parts, please see the respective product information page found at [www.intersil.com](http://www.intersil.com).

You may report errors or suggestions for improving this datasheet by visiting [www.intersil.com/ask](http://www.intersil.com/ask).

Reliability reports are also available from our website at [www.intersil.com/support](http://www.intersil.com/support)

© Copyright Intersil Americas LLC 2012-2015. All Rights Reserved.  
All trademarks and registered trademarks are the property of their respective owners.

For additional products, see [www.intersil.com/en/products.html](http://www.intersil.com/en/products.html)

Intersil products are manufactured, assembled and tested utilizing ISO9001 quality systems as noted in the quality certifications found at [www.intersil.com/en/support/qualandreliability.html](http://www.intersil.com/en/support/qualandreliability.html)

*Intersil products are sold by description only. Intersil may modify the circuit design and/or specifications of products at any time without notice, provided that such modification does not, in Intersil's sole judgment, affect the form, fit or function of the product. Accordingly, the reader is cautioned to verify that datasheets are current before placing orders. Information furnished by Intersil is believed to be accurate and reliable. However, no responsibility is assumed by Intersil or its subsidiaries for its use; nor for any infringements of patents or other rights of third parties which may result from its use. No license is granted by implication or otherwise under any patent or patent rights of Intersil or its subsidiaries.*

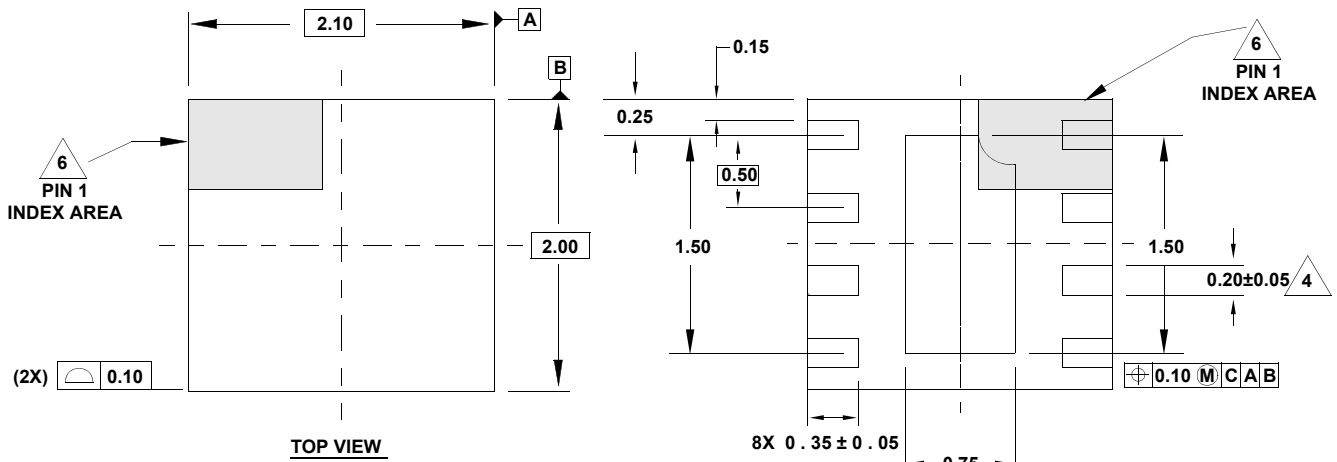
For information regarding Intersil Corporation and its products, see [www.intersil.com](http://www.intersil.com)

# Package Outline Drawing

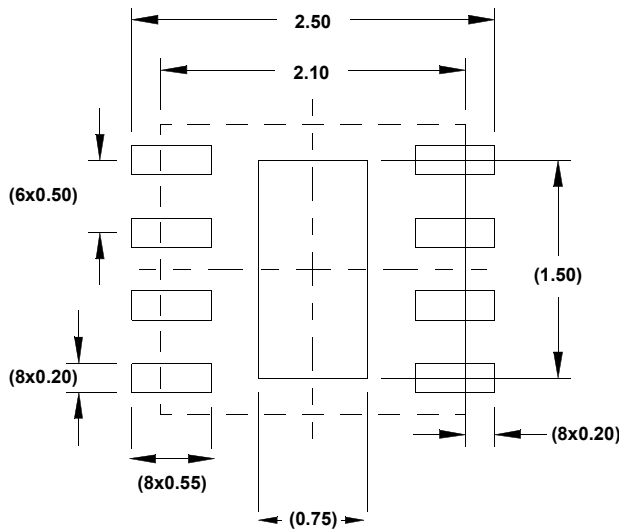
## L8.2.1x2.0

8 LEAD OPTICAL DUAL FLAT NO-LEAD PLASTIC PACKAGE (ODFN)

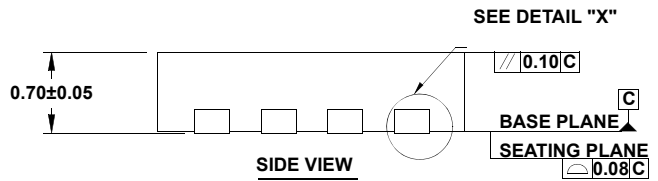
Rev 3, 1/11



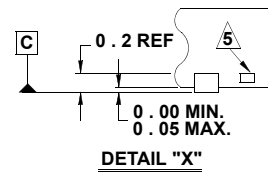
**BOTTOM VIEW**



**TYPICAL RECOMMENDED LAND PATTERN**



**SIDE VIEW**



**DETAIL "X"**

**NOTES:**

1. Dimensions are in millimeters.  
Dimensions in ( ) for Reference Only.
2. Dimensioning and tolerancing conform to ASME Y14.5m-1994.
3. Unless otherwise specified, tolerance : Decimal ± 0.05
4. Dimension applies to the metallized terminal and is measured between 0.25mm and 0.35mm from the terminal tip.
5. Tiebar shown (if present) is a non-functional feature.
6. The configuration of the pin #1 identifier is optional, but must be located within the zone indicated. The pin #1 identifier may be either a mold or mark feature.