

---

## 2.5 A PWM Step-up DC/DC Converter

---

NO.EA-278-180731

### OUTLINE

The R1213K is a low supply current PWM step-up DC/DC converter capable of providing an output current up to 2.5 A. Internally, the device consists of an Nch MOSFET driver, an oscillator, a PWM comparator, a voltage reference unit, an error amplifier, a soft-start circuit, an under voltage lockout circuit (UVLO), a thermal shutdown protection circuit, an overcurrent protection circuit and an latch-type protection circuit.

The R1213K requires minimal external component count. By simply using an inductor, resistors, capacitors and a diode, a high-efficiency step-up DC/DC converter can be easily configured.

The R1213K can adjust the output voltage, the soft-start time, the phase compensation using the external resistors and capacitors.

The R1213K has a shutdown control function which can be activated by a protection circuit to turn off the external Pch MOSFET for breaking the current path between the input and output.

The R1213K provides an overcurrent protection circuit, a latch-type protection circuit, a thermal shutdown protection circuit and an UVLO circuit. The overcurrent protection circuit limits the  $L_x$  peak current and a latch-type protection circuit latches the Nch MOSFET off to stop the operation of the DC/DC converter if the output voltage drop due to overcurrent continues more than the protection delay time.

The R1213K is offered in a 12-pin DFN(PLP)2730-12 package.

### FEATURES

- Input Voltage Range (Maximum Rating) ..... 2.3 V to 5.5 V (6.5 V)
- Supply Current ..... Typ. 550  $\mu$ A (non-switching)
- Supply Current ..... Typ. 3 mA (switching)
- Standby Current..... Max. 1.5  $\mu$ A (CE = "L")
- Output Voltage Range ..... 3.0 V to 15.0 V, Externally Adjustable ( $V_{FB} = 0.8$  V)
- Feedback Voltage Accuracy .....  $\pm 8$  mV
- Feedback Voltage Temperature Coefficient .....  $\pm 50$  ppm/ $^{\circ}$ C
- Output Current..... 1.0 A:  $V_{IN} = 3.3$  V,  $V_{OUT} = 3.8$  V  
500 mA:  $V_{IN} = 2.3$  V,  $V_{OUT} = 5.0$  V  
250 mA:  $V_{IN} = 2.7$  V,  $V_{OUT} = 9.6$  V  
150 mA:  $V_{IN} = 3.0$  V,  $V_{OUT} = 15$  V
- Nch ON Resistance ..... Typ. 0.07  $\Omega$
- Shutdown Control Function ..... Activated by the external Pch MOSFET
- Thermal Shutdown Circuit ..... Activated at 150 $^{\circ}$ C (Hys.= 40 $^{\circ}$ C)
- Overcurrent Protection Circuit ..... Activated at Typ. 3.0 A

---

## R1213K

---

NO.EA-278-180731

- Latch-type Protection Circuit..... Protection Delay Time: Typ. 32 ms
- FLAG Output Function ..... Activated at "H"
- UVLO Detector Threshold ..... Typ. 2.0 V
- Oscillator Frequency ..... Typ. 1.0 MHz
- Maximum Duty Cycle ..... Min. 85%, Typ. 90%
- Soft-start Time..... Set by the SS Pin
- Phase Compensation..... Set by the AMPOUT Pin
- Package..... DFN(PLP)2730-12

## APPLICATION

- Flash LEDs
- Data Cards
- DSCs
- LCD Source Bias Supplies

## SELECTION GUIDE

The R1213K offers users to select the output voltage type matched to their set output voltage. Selecting the matched output voltage type can ensure high-speed transient response and stability.

### Selection Guide

Product Name	Package	Quantity per Reel	Pb Free	Halogen Free
R1213K001*-TR	DFN(PLP)2730-12	5,000 pcs	Yes	Yes

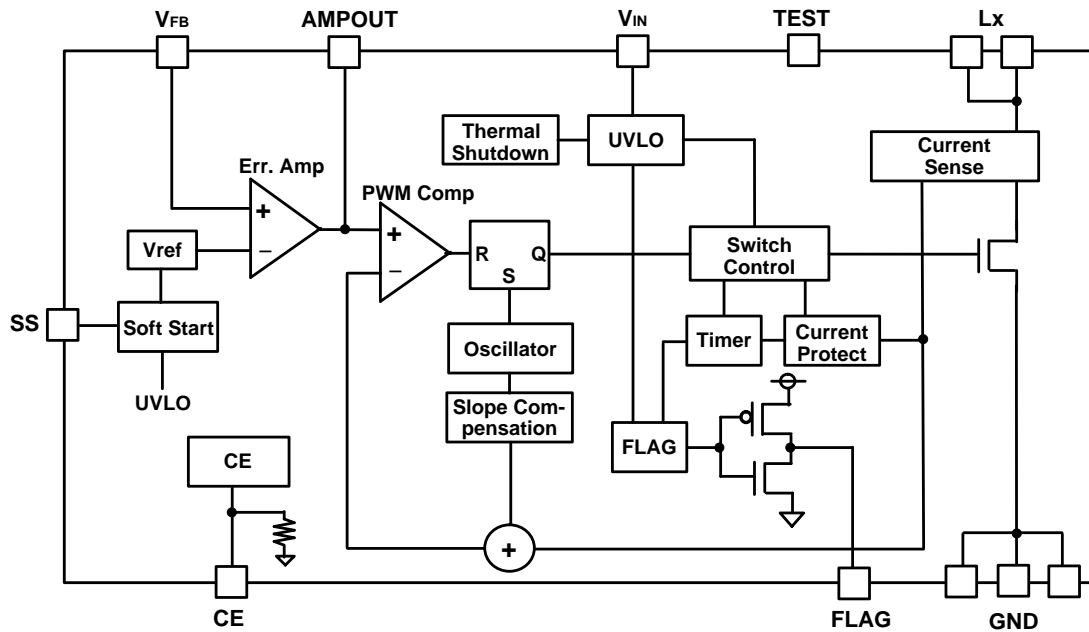
\*: Specify the output voltage type.

A: Low Output Voltage Type ( $V_{OUT}$ : 3.0 V to 6.0 V)

B: High Output Voltage Type ( $V_{OUT}$ : 6.0 V to 15 V)

---

BLOCK DIAGRAMS



R1213K Block Diagram

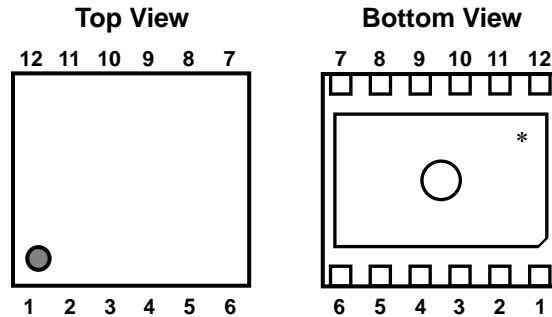
---

## R1213K

---

NO.EA-278-180731

### PIN DESCRIPTION



DFN(PLP)2730-12 Pin Configuration

#### DFN(PLP)2730-12 Pin Description

Pin No	Symbol	Pin Description
1	AMPOUT	Amplifier Output Pin
2	$V_{FB}$	Feedback Voltage Pin
3	CE	Chip Enable Pin, Active-high
4	GND	Ground Pin <sup>(1)</sup>
5	GND	Ground Pin <sup>(1)</sup>
6	GND	Ground Pin <sup>(1)</sup>
7	TEST	TEST Pin <sup>(2)</sup>
8	$L_X$	Switching Pin <sup>(1)</sup>
9	$L_X$	Switching Pin <sup>(1)</sup>
10	$V_{IN}$	Input Voltage Pin
11	FLAG	Shutdown Control Pin <sup>(3)</sup>
12	SS	Soft-start Pin

\* The tab on the bottom of the package enhances thermal performance and is electrically connected to GND (substrate level). It is recommended that the tab be connected to the ground plane on the board, or otherwise be left floating.

---

<sup>(1)</sup> The No.4, No.5 and No.6 pins must be connected together. The No.8 and No.9 pins must be connected together.

<sup>(2)</sup> The TEST pin must be connected to GND or left floating.

<sup>(3)</sup> The FLAG pin should be left floating when it is not used.

## ABSOLUTE MAXIMAM RATINGS

### Absolute Maximum Ratings

(GND = 0 V)

Symbol	Item	Rating	Unit
V <sub>IN</sub>	V <sub>IN</sub> Pin Voltage	-0.3 to 6.5	V
V <sub>AMPOUT</sub>	AMPOUT Pin Voltage	-0.3 to V <sub>IN</sub> + 0.3	V
V <sub>CE</sub>	CE Pin Voltage	-0.3 to 6.5	V
V <sub>FB</sub>	V <sub>FB</sub> Pin Voltage	-0.3 to 6.5	V
V <sub>SS</sub>	SS Pin Voltage	-0.3 to V <sub>IN</sub> + 0.3	V
V <sub>FLG</sub>	FLAG Pin Voltage	-0.3 to V <sub>IN</sub> + 0.3	V
V <sub>TST</sub>	TEST Pin Voltage	-0.3 to V <sub>IN</sub> + 0.3	V
V <sub>LX</sub>	L <sub>x</sub> Pin Voltage	-0.3 to 18.0	V
P <sub>D</sub>	Power Dissipation <sup>(1)</sup> (DFN(PLP)2730-12, JEDEC STD. 51-7 Test Land Pattern)	3100	mW
T <sub>J</sub>	Junction Temperature Range	-40 to 125	°C
T <sub>stg</sub>	Storage Temperature Range	-55 to 125	°C

### ABSOLUTE MAXIMUM RATINGS

Electronic and mechanical stress momentarily exceeded absolute maximum ratings may cause the permanent damages and may degrade the life time and safety for both device and system using the device in the field. The functional operation at or over these absolute maximum ratings are not assured.

## ■ RECOMMENDED OPERATING CONDITIONS

Symbol	Item	Rating	Unit
V <sub>IN</sub>	Input Voltage	2.3 to 5.5	V
T <sub>a</sub>	Operating Temperature Range	-40 to 85	°C

### RECOMMENDED OPERATING CONDITIONS

All of electronic equipment should be designed that the mounted semiconductor devices operate within the recommended operating conditions. The semiconductor devices cannot operate normally over the recommended operating conditions, even if when they are used over such ratings by momentary electronic noise or surge. And the semiconductor devices may receive serious damage when they continue to operate over the recommended operating conditions.

<sup>(1)</sup> Refer to *POWER DISSIPATION* for detailed information.

## R1213K

NO.EA-278-180731

### ELECTRICAL CHARACTERISTICS

#### Electrical Characteristics

(Ta = 25°C)

Symbol	Item	Conditions	Min.	Typ.	Max.	Unit
Istandby	Standby Current	V <sub>IN</sub> = 5.5 V, V <sub>CE</sub> = 0 V		0.1	1.5	μA
I <sub>DD1</sub>	Supply Current 1 (non-switching)	V <sub>IN</sub> = 5.5 V, V <sub>FB</sub> = 0.9 V		550	800	μA
I <sub>DD2</sub>	Supply Current 2	V <sub>IN</sub> = 5.5 V, V <sub>FB</sub> = 0 V		3.0	4.5	mA
V <sub>UVLO1</sub>	UVLO Detector Threshold	V <sub>FB</sub> = 0 V	1.9	2.0	2.1	V
V <sub>UVLO2</sub>	UVLO Released Voltage	V <sub>FB</sub> = 0 V		V <sub>UVLO1</sub> +0.12	2.25	V
V <sub>OUT</sub>	Output Voltage Range	R1213K001A	3.0		6.0	V
		R1213K001B	6.0		15	
V <sub>FB</sub>	Feedback Voltage Accuracy	V <sub>IN</sub> = 3.6 V	0.792	0.8	0.808	V
ΔV <sub>FB</sub> /ΔTa	Feedback Voltage Temperature Coefficient	-40°C ≤ Ta ≤ 85°C		±50		ppm /°C
I <sub>LXLEAK</sub>	Lx Leakage Current	V <sub>LX</sub> = 16 V, V <sub>CE</sub> = 0 V		0.01	2.0	μA
I <sub>FBH</sub>	V <sub>FB</sub> "H" Input Current	V <sub>IN</sub> = 5.5 V, V <sub>FB</sub> = 5.5 V			0.15	μA
I <sub>FBL</sub>	V <sub>FB</sub> "L" Input Current	V <sub>IN</sub> = 5.5 V, V <sub>FB</sub> = 0 V	-0.15			μA
I <sub>CEL</sub>	V <sub>CEL</sub> Input Current	V <sub>IN</sub> = 5.5 V, V <sub>CE</sub> = 0 V	-0.2		0.2	μA
R <sub>CE</sub>	CE Pull-down Resistance			1000		kΩ
I <sub>SS</sub>	Soft-start Current	V <sub>IN</sub> = 3.6 V		10		μA
V <sub>CEH</sub>	CE Input Voltage "H"	V <sub>IN</sub> = 5.5 V	1.5			V
V <sub>CEL</sub>	CE Input Voltage "L"	V <sub>IN</sub> = 2.3 V			0.3	V
fosc	Oscillator Frequency	V <sub>IN</sub> = 3.6 V, V <sub>FB</sub> = 0 V	0.85	1.00	1.15	MHz
Maxduty	Maximum Duty Cycle	V <sub>IN</sub> = 3.6 V, V <sub>FB</sub> = 0 V	85	90	95	%
T <sub>TSD</sub>	Thermal Shutdown Temperature	Junction Temperature		150		°C
T <sub>TSR</sub>	Thermal Shutdown Released Temperature	Junction Temperature		110		°C
gm	Trans-conductance <sup>(1)</sup>	V <sub>IN</sub> = 3.6 V		220		μS
I <sub>LXLIM</sub>	Lx Current Limit	V <sub>IN</sub> = 3.6 V	2.5	3.0	3.8	A
R <sub>ON</sub>	Nch ON Resistance <sup>(1)</sup>	V <sub>IN</sub> = 3.6 V		0.07		Ω
tprot	Latch-type Protection Delay Time	V <sub>IN</sub> = 3.6 V		32		ms
I <sub>RUSH</sub>	Inrush Current <sup>(2)</sup>				1.5	A

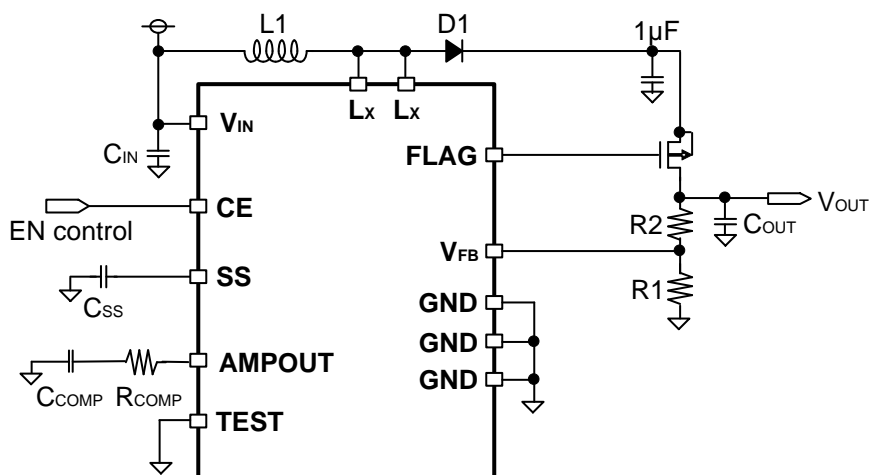
<sup>(1)</sup> Guaranteed by design engineering, not mass production tested.

<sup>(2)</sup> Guaranteed by design engineering when the external Pch MOSFET is connected to the FLAG pin. Refer to the recommended components at *APPLICATION INFORMATION* and *TECHNICAL NOTES*.

## ■ APPLICATION INFORMATION

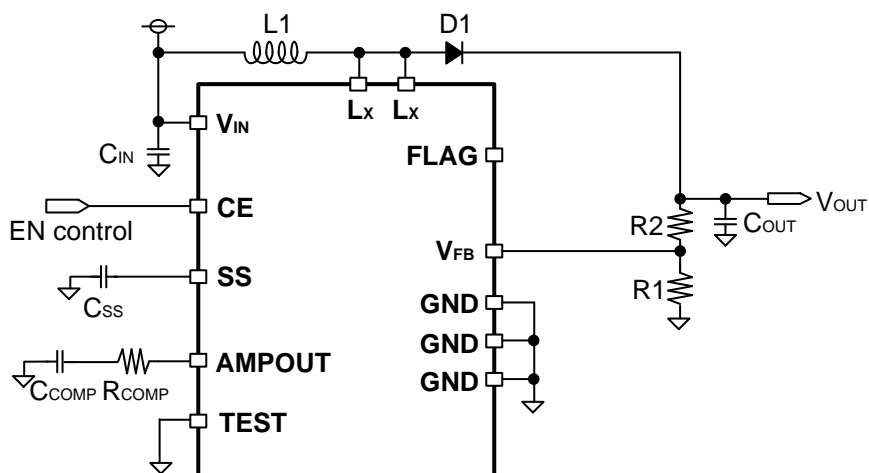
### Typical Application

External Pch MOSFET is Connected for Breaking the Current Path between  $V_{IN} - V_{OUT}$  ( $V_{OUT} < 13\text{ V}$ )

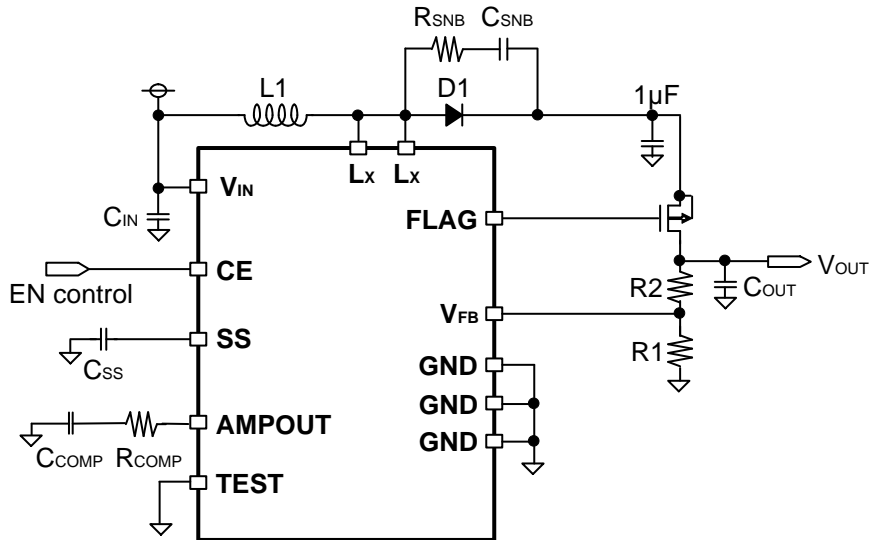


Notes: The GND pins and also the Lx pins must be mutually short-circuited right near the ground plane on the board. The TEST pin must be connected to the ground plane on the board or be left floating.

External Pch MOSFET is NOT Connected for Breaking the Current Path between  $V_{IN} - V_{OUT}$  ( $V_{OUT} < 13\text{ V}$ )

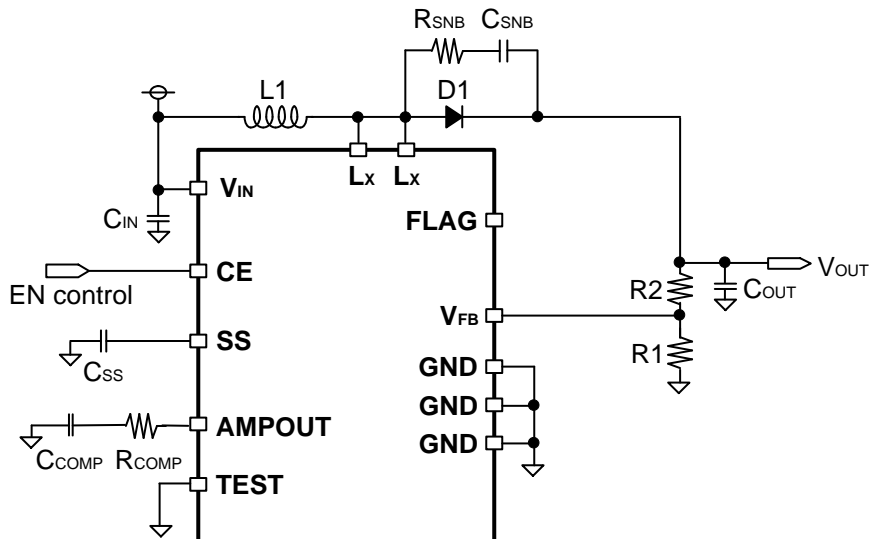


Notes: The GND pins and also the Lx pins must be mutually short-circuited right near the ground plane on the board. The TEST pin must be connected to the ground plane on the board or be left floating. The FLAG pin must be left floating.

**External Pch MOSFET is Connected for Breaking the Current Path between  $V_{IN} - V_{OUT}$  ( $V_{OUT} \geq 13\text{ V}$ )**

Notes: The GND pins and also the  $Lx$  pins must be mutually short-circuited right near the ground plane on the board. The TEST pin must be connected to the ground plane on the board or be left floating.

The snubber circuit must be added for preventing spike noise on the  $Lx$  pin.

**External Pch MOSFET is NOT Connected for Breaking the Current Path between  $V_{IN} - V_{OUT}$  ( $V_{OUT} \geq 13\text{ V}$ )**

Notes: The GND pins and also the  $Lx$  pins must be mutually short-circuited right near the ground plane on the board. The TEST pin must be connected to the ground plane on the board or be left floating. The FLAG pin must be left floating. The snubber circuit must be added for preventing spike noise on the  $Lx$  pin.



## Recommended Components

	$V_{IN}$	Cap.	Spec.	Part Name	Manufacturer
$C_{IN}$	All	10 $\mu$ F	6.3 V	C2012JB0J106M	TDK

	$V_{OUT}$	Cap.	Spec.	Part Name	Manufacturer
$C_{OUT}$	$\leq 5$ V	10 $\mu$ F	6.3 V	C2012JB0J106M	TDK
	$\leq 10$ V	10 $\mu$ F	16 V	C2012X5R1C106K	TDK
	all	10 $\mu$ F	25 V	C3216X5R1E106K	TDK
	all	10 $\mu$ F	25 V	TMK325BJ106MN	Taiyo Yuden

	$V_{OUT}$	Spec.	Part Name	Manufacturer
D1	all	40 V, 3 A	CMS16	TOSHIBA
	all	40 V, 3 A	RB056L-40	ROHM

	$V_{OUT}$	Ind.	Spec.	Part Name	Manufacturer
L1 <sup>(1)</sup>	$3.0V \leq V_{OUT} \leq 4.5V$	2.2 $\mu$ H	2.2 A	SPM3012T-2R2N	TDK
			2.7 A	SPM4012T-2R2N	TDK
			3.5 A	NR5040T2R2N	Taiyo Yuden
	$4.5V < V_{OUT} \leq 12V$	4.7 $\mu$ H	1.7 A	SPM4012T-4R7N	TDK
			3.1 A	NR5040T4R7N	Taiyo Yuden
	$12V < V_{OUT} \leq 15V$	6.8 $\mu$ H	1.4 A	VL5014ST-6R8N	TDK
			2.8 A	RLF7030T-6R8N	TDK
			3.7 A	NR8040T6R8N	Taiyo Yuden

	$V_{OUT}$	Spec. ( $I_{DS}$ , $V_{DS}$ , $V_{GS}$ )	Part Name	Manufacturer
Pch.MOSFET	all	4.5 A, -30 V, $\pm 20$ V	UPA1914	Renesas

<sup>(1)</sup> It is recommended that the rated current of the inductor be higher than the LX limit current. Performing the current limitation outside of the R1213K requires the use of small components.

---

## R1213K

---

NO.EA-278-180731

### ● Selection of Resistors and Capacitors for Phase Compensation

The R1213x requires an external phase compensation on the feedback loop for output voltage control to prevent the large output ripple, the unstable operation and the deterioration of device efficiency. Connect a resistor (R<sub>COMP</sub>) and a capacitor (C<sub>COMP</sub>) between the AMPOUT and GND pins.

R<sub>COMP</sub> and C<sub>COMP</sub> can be calculated as follows:

#### [R1213K001A]

$$R_{COMP} = 90 \times V_{IN} \times V_{OUT} \times C_{OUT} / (L \times I_{OUTMAX})$$

$$C_{COMP} = 30 \times V_{OUT} \times L \times I_{OUTMAX} / (V_{IN}^2 \times R_{COMP})$$

#### [R1213K001B]

$$R_{COMP} = 45 \times V_{IN} \times V_{OUT} \times C_{OUT} / (L \times I_{OUTMAX})$$

$$C_{COMP} = 30 \times V_{OUT} \times L \times I_{OUTMAX} / (V_{IN}^2 \times R_{COMP})$$

The appropriate values for R<sub>COMP</sub> and C<sub>COMP</sub> vary depending on the peripheral components and circuit board. Determine the appropriate values for R<sub>COMP</sub> and C<sub>COMP</sub> according to the transient response.

V <sub>IN</sub> (V)	V <sub>OUT</sub> (V)	I <sub>OUTMAX</sub> (mA)	C <sub>IN</sub> (μF)	C <sub>OUT</sub> (μF)	L1 (μH)	D1	R <sub>COMP</sub> (kΩ)	C <sub>COMP</sub> (nF)
3.3	3.8	1200	10	20	2.2	3 A	8.2	3.3
3.3	5	800	10	20	4.7	3 A	8.2	6.8
3.3	12	250	10	20	4.7	3 A	27	1.8
5.0	15	650	10	20	6.8	3 A	15	5.1

### ● Output Voltage Setting

The output voltage can be calculated by the values of resistors (R1 and R2) as follows:

$$\text{Output Voltage} = V_{FB} \times (R1 + R2) / R1$$

(V<sub>FB</sub> = 0.8 V)

Notes: Set the sum of R1 and R2 to be 200 kΩ or less.

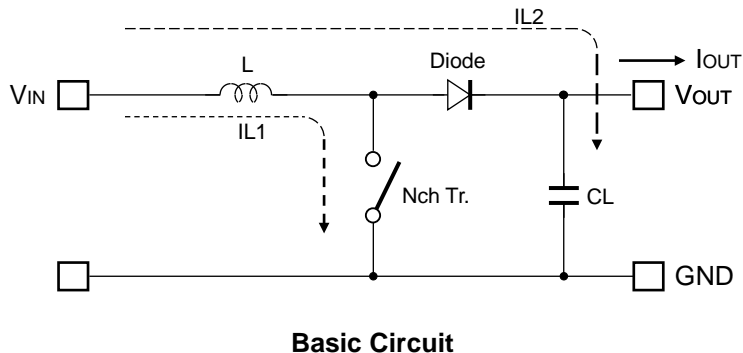
### ● Soft-start Time Setting

The soft-start time can be adjusted by a capacitor (C<sub>SS</sub>) between the SS and GND pins.

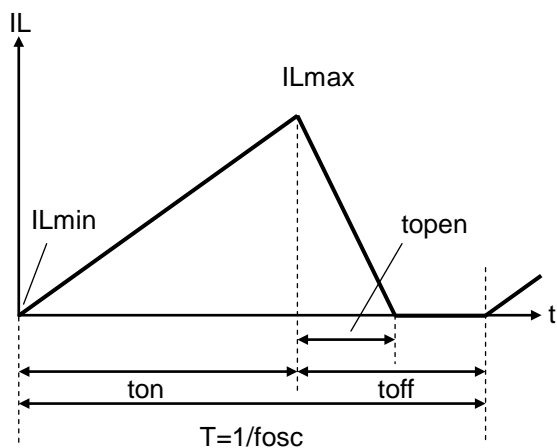
The soft-start time can be calculated as follows:

$$\begin{aligned} \text{Soft-start time} &= C_{SS} \times V_{FB} / I_{SS} \\ &= 8 \times C_{SS} \times 10^4 \text{ [sec]} \\ &(\text{V}_{FB} = 0.8 \text{ V}, I_{SS} = 10 \text{ } \mu\text{A}) \end{aligned}$$

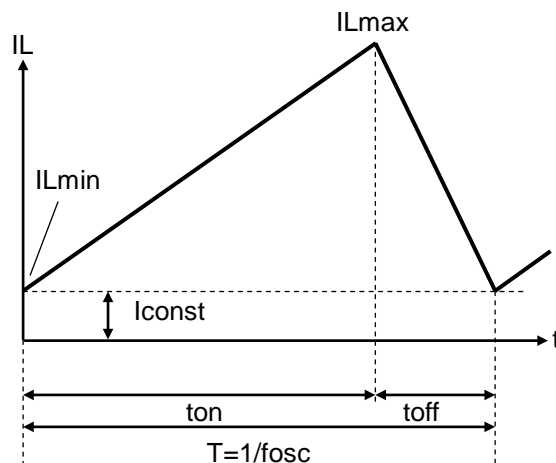
• Operation of Step-Up Dc/Dc Converter and Output Current



Current (IL) Flowing Through Inductor (L)



Discontinuous Inductor Current Mode



Continuous Inductor Current Mode

The PWM control type of the step-up DC/DC converter has two operation modes characterized by the continuity of inductor current: discontinuous inductor current mode and continuous inductor current mode.

When an Nch transistor is in On-state, the voltage to be applied to the inductor (L) is described as VIN. An increase in the inductor current (IL1) can be written as follows:

$$IL1 = V_{IN} \times t_{on} / L \dots\dots\dots \text{Formula 1}$$

In the step-up DC/DC converter circuit, the energy accumulated during the On-state is transferred into the capacitor even in the Off-state. A decrease in the inductor current (IL2) can be written as follows:

$$IL2 = (V_{OUT} - V_{IN}) \times t_{open} / L \dots\dots\dots \text{Formula 2}$$

---

**R1213K**

---

NO.EA-278-180731

In the PWM control, IL1 and IL2 become continuous when  $t_{open} = t_{off}$ , which is called continuous inductor current mode.

When the device is in continuous inductor current mode and operates in steady-state conditions, the variations of IL1 and IL2 are same:

$$V_{IN} \times t_{on} / L = (V_{OUT} - V_{IN}) \times t_{off} / L \dots\dots\dots \text{Formula 3}$$

Therefore, the duty cycle in continuous inductor current mode is:

$$\text{duty (\%)} = t_{on} / (t_{on} + t_{off}) = (V_{OUT} - V_{IN}) / V_{OUT} \dots\dots\dots \text{Formula 4}$$

When  $t_{open} = t_{off}$ , the average of IL1 is:

$$IL1 (\text{Ave.}) = V_{IN} \times t_{on} / (2 \times L) \dots\dots\dots \text{Formula 5}$$

If the input voltage ( $V_{IN}$ ) is equal to the output voltage ( $V_{OUT}$ ), the output current ( $I_{OUT}$ ) is:

$$I_{OUT} = V_{IN}^2 \times t_{on} / (2 \times L \times V_{OUT}) \dots\dots\dots \text{Formula 6}$$

If  $I_{OUT}$  is larger than Formula 6, the device switches to continuous inductor current mode

The  $L_x$  peak current flowing through L ( $IL_{max}$ ) is:

$$IL_{max} = I_{OUT} \times V_{OUT} / V_{IN} + V_{IN} \times t_{on} / (2 \times L) \dots\dots\dots \text{Formula 7}$$

$$IL_{max} = I_{OUT} \times V_{OUT} / V_{IN} + V_{IN} \times T \times (V_{OUT} - V_{IN}) / (2 \times L \times V_{OUT}) \dots\dots\dots \text{Formula 8}$$

As a result,  $IL_{max}$  becomes larger compared to  $I_{OUT}$ . The overcurrent protection circuit operates if the  $IL_{max}$  becomes more than the  $L_x$  current limit. When considering the input and output conditions or selecting the external components, please pay attention to  $IL_{max}$ .

**Notes:** The above calculations are based on the ideal operation of the device. They do not include the losses caused by the external components or Nch transistor. The actual maximum output current will be 50% to 80% of the above calculation results. Especially, if IL is large or  $V_{IN}$  is low, it may cause the switching losses.

## TECHNICAL NOTES

The performance of a power source circuit using this device is highly dependent on a peripheral circuit. A peripheral component or the device mounted on PCB should not exceed a rated voltage, a rated current or a rated power. When designing a peripheral circuit, please be fully aware of the following points.

- Ensure that the  $V_{IN}$  and GND lines are firmly connected. A large switching current flows through the  $V_{IN}$  and GND lines. If their impedance is too high, noise pickup or unstable operation may result.
- When an Nch MOSFET driver is turned off, the inductor may generate a spike-shaped high voltage. Use a high-break-down-voltage capacitor ( $C_{OUT}$ ) and a high-break-down-voltage diode that are 1.5 times or more than the set output voltage.
- Choose a schottky diode (D1) that has low forward voltage, low reverse current, and is fast in switching speed.
- Use an inductor that has a low DC resistance, has an enough tolerable current and is less likely to cause magnetic saturation.
- The FLAG pin (Shutdown Control Pin) turns off the external Pch MOSFET to break the current path between  $V_{IN}$  and  $V_{OUT}$  during standby, UVLO, thermal shutdown and latch-type protection. Place a capacitor of 1  $\mu$ F between the source of the external Pch MOSFET and GND to protect the external Pch MOSFET from overvoltage caused by the inductor current.  
During the soft-start, the FLAG pin turns on or off the external Pch MOSFET synchronizing with the switching of the Nch MOSFET to prevent the inrush current. Select the external Pch MOSFET with fast switching speed (Approx. 100 ns) and small gate capacity (3 nF or less).
- The spike noise of  $L_X$  should not exceed the absolute maximum rating. The spike noise of  $L_X$  may exceed the absolute maximum ratings under  $V_{OUT} \geq 13$  V. To reduce the spike noise of  $L_X$ , place a snubber circuit ( $R_{SNB}$  and  $C_{SNB}$  are connected in series) parallel to the diode (D1). A snubber circuit may also be required under  $V_{OUT} < 13$  V if the spike noise of  $L_X$  is large. It is recommended that a capacitor ( $C_{SNB}$ ) be 1100 pF and a resistor ( $R_{SNB}$ ) be 0.68  $\Omega$ . The appropriate values for  $C_{SNB}$  and  $R_{SNB}$  vary significantly depending on the circuit board and affect the device efficiency. Actual circuit board testing is required.

- Latch-type protection circuit latches the Nch MOSFET off to stop the operation of the DC/DC converter if the output voltage drop due to overcurrent continues more than the protection delay time. When the latch-type protection circuit operates, the FLAG pin outputs “H” and turns the external Pch MOSFET off to break the current path between  $V_{IN}$  and  $V_{OUT}$ .

The protection delay time is set to typically 32 ms. If the output voltage returns to normal during the protection delay time, the internal timer will be reset.

To release the latch-type protection, set the CE pin “H” or make the power supply voltage lower than the UVLO detector threshold.

- Connect the TEST pin to GND or otherwise leave it floating.
- Connect the FLAG pin to the external Pch MOSFET gate only.
- To prevent inrush current, connect the SS pin to a capacitor ( $C_{SS}$ ) only.
- The tab on the bottom of the package enhances thermal performance and is electrically connected to GND (substrate level). It is recommended that the tab be connected to the ground plane on the board, or otherwise be left floating. To enhance the thermal performance of multilayer circuit board, provide a thermal via under the tab on the bottom of the package.
- In Fig. A and Fig. B, the current paths on the boost DC/DC converter are shown. The current paths when the MOSFET turns on are shown in Fig. A, and the current paths when the MOSFET turns off are shown in Fig. B. The pointed parts with red arrows in Fig. B are where the current flows only when the MOSFET turns on, or off. The parasitic impedance, inductance, or parasitic capacitance of these parts have some impact on the stability of DC/DC converter, and may cause a noise generation. Therefore the parasitic impedance, capacitance, inductance must be as small as possible. Furthermore, the current paths shown in Fig. A and Fig. B must be as short as possible and as wide as possible.

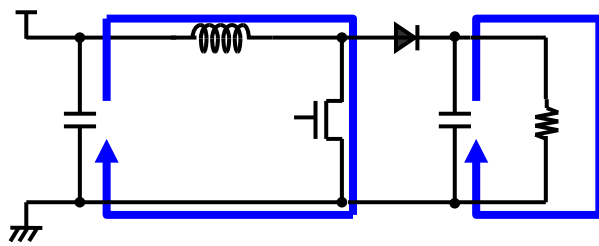


Figure A. MOSFET-ON (Boost)

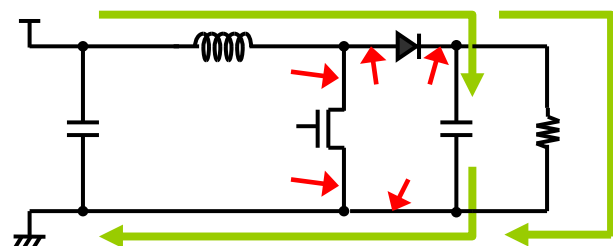
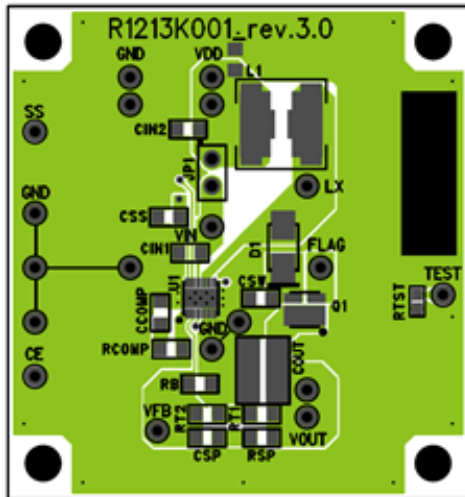
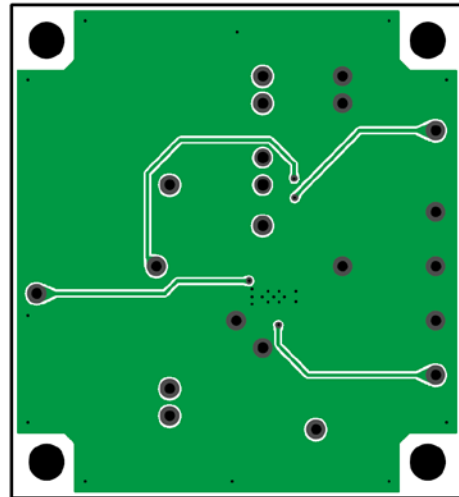


Figure B. MOSFET-OFF (Boost)

- PCB Layout

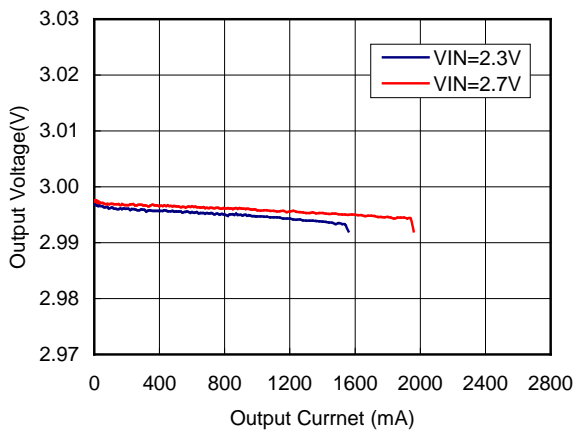
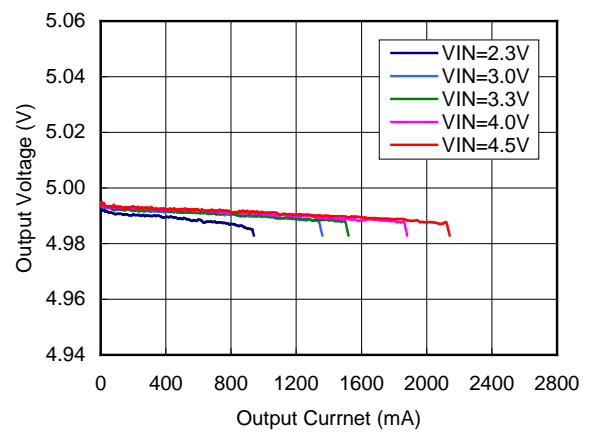
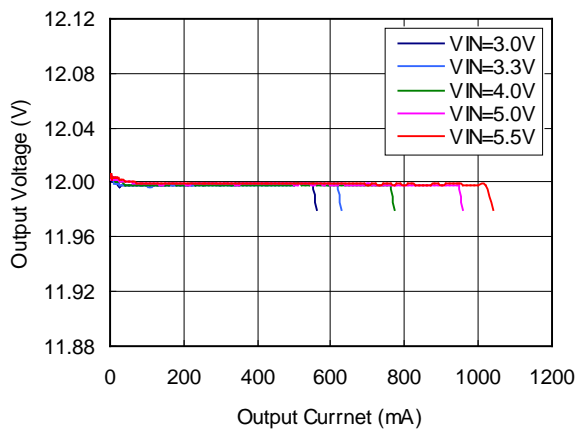
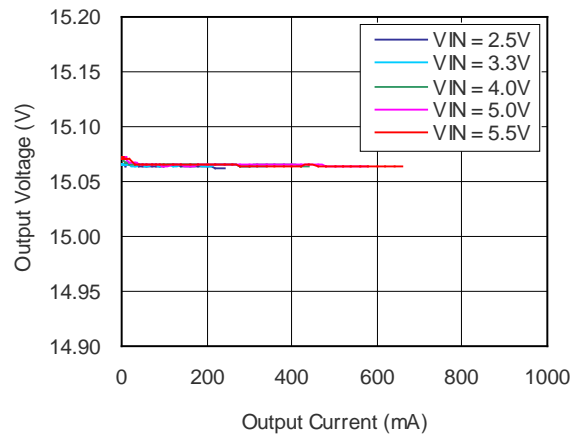
R1213K001A/B (PKG: DFN(PLP)2730-12pin)

**Typical Board Layout – Top Layer****Typical Board Layout – Back Layer**

Note: R2 patterns are the layout for 2 serial resistance chips, RT1 and RT2 to set preferred value easier.

**TYPICAL CHARACTERISTICS**

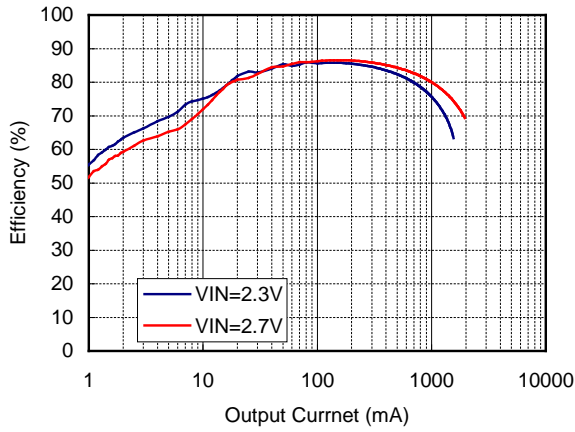
**Note:** Typical Characteristics are intended to be used as reference data; they are not guaranteed.

**1) Output Voltage vs. Output Current (Ta = 25°C)** $V_{OUT} = 3.0\text{ V}$  $V_{OUT} = 5.0\text{ V}$  $V_{OUT} = 12\text{ V}$  $V_{OUT} = 15\text{ V}$ 

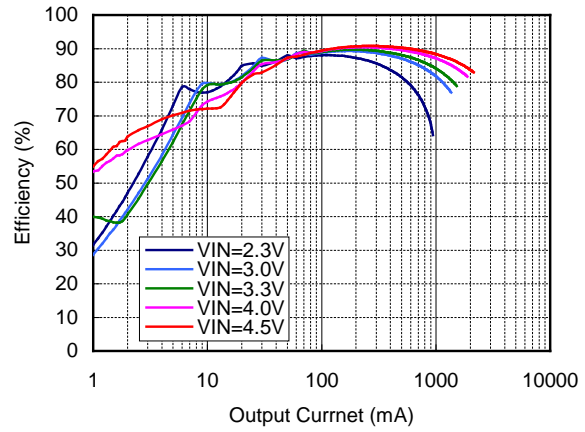


**2) Efficiency vs. Output Current (Ta = 25°C)**

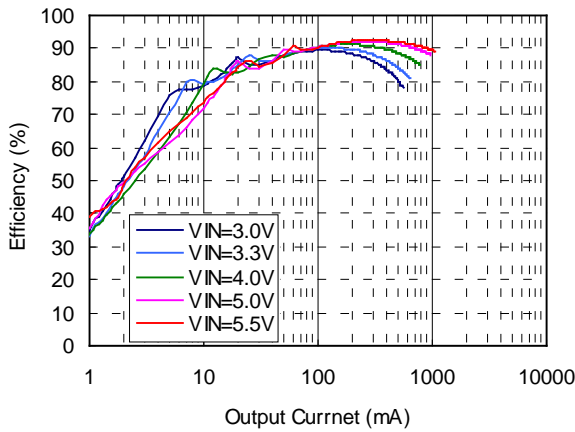
V<sub>OUT</sub> = 3.0 V



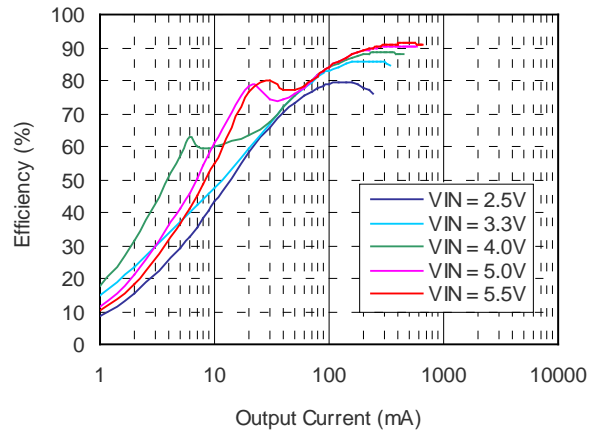
V<sub>OUT</sub> = 5.0 V



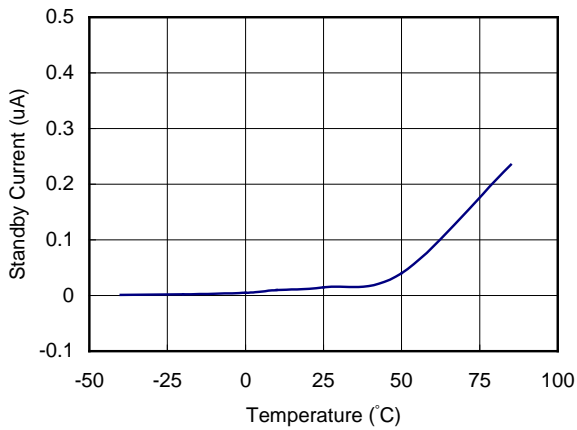
V<sub>OUT</sub> = 12 V



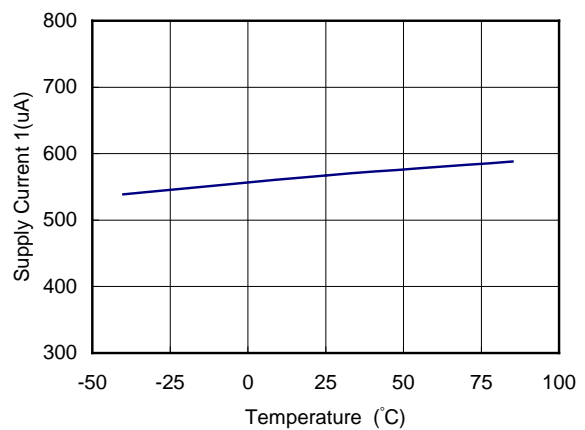
V<sub>OUT</sub> = 15 V

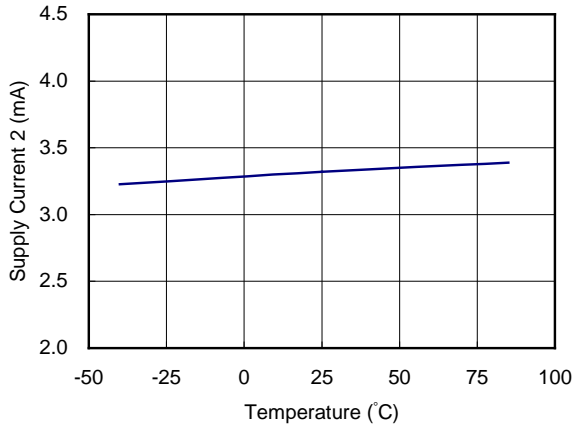
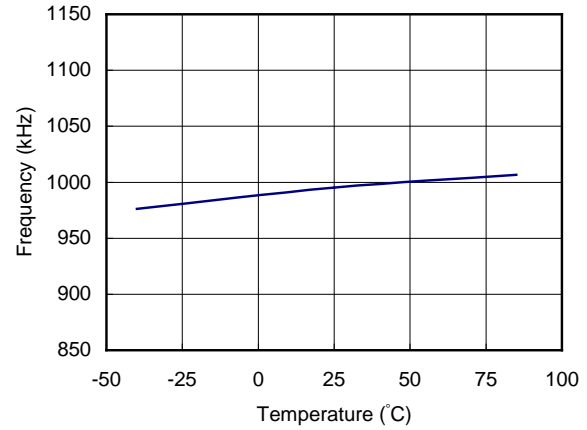
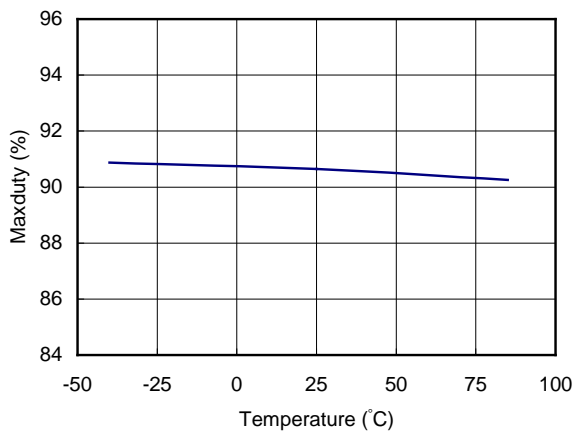
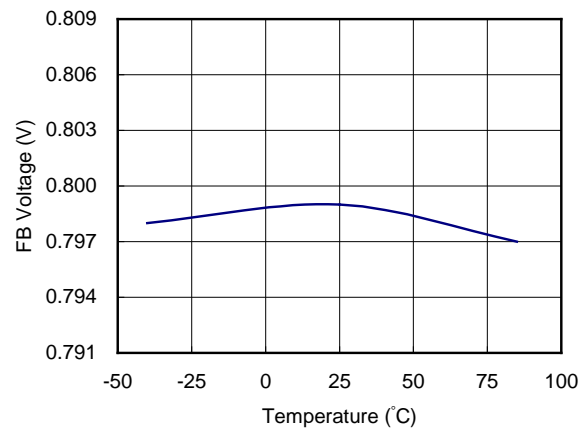
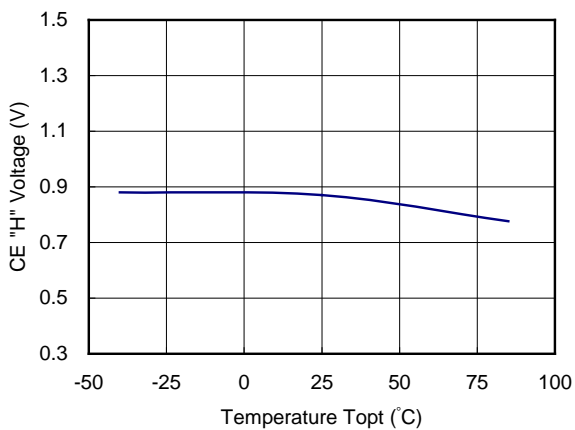
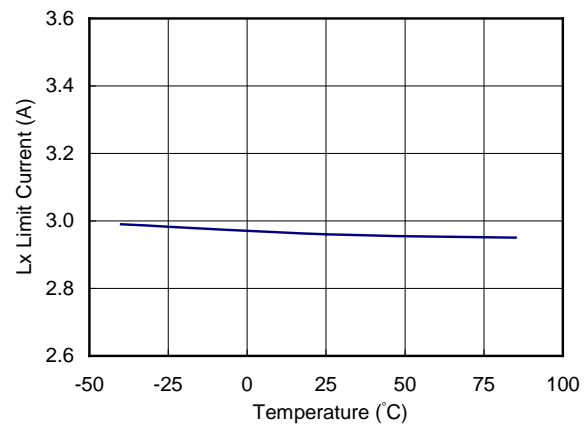


**3) Standby Current vs. Temperature**

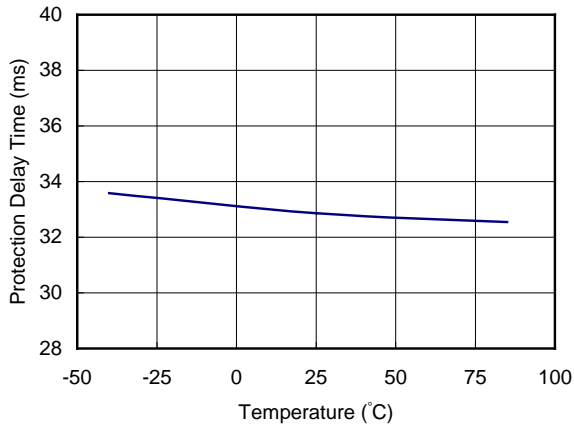


**4) Supply Current 1 vs. Temperature**



**5) Supply Current 2 vs. Temperature****6) Frequency vs. Temperature****7) Maxduty vs. Temperature****8) FB Voltage vs. Temperature****9) CE "H" Input Voltage vs. Temperature****10) Lx Limit Current vs. Temperature**

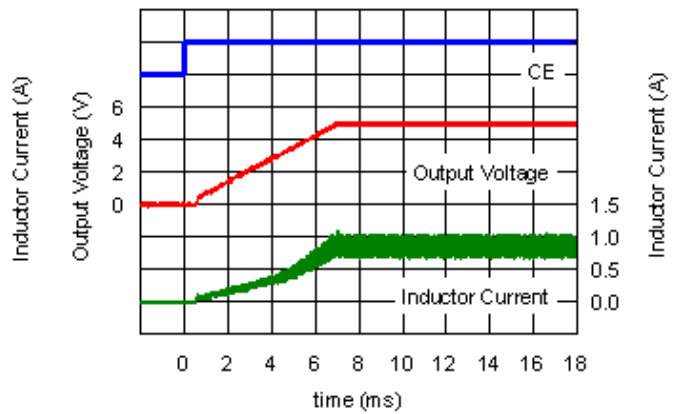
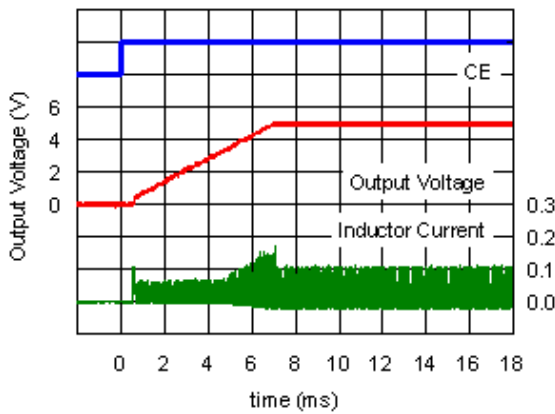
11) Protection Delay Time vs. Temperature



12) Start-up Waveform (Ta = 25°C, C<sub>SS</sub> = 0.1 μF, External Pch MOSFET Connected between V<sub>IN</sub> – V<sub>OUT</sub>)

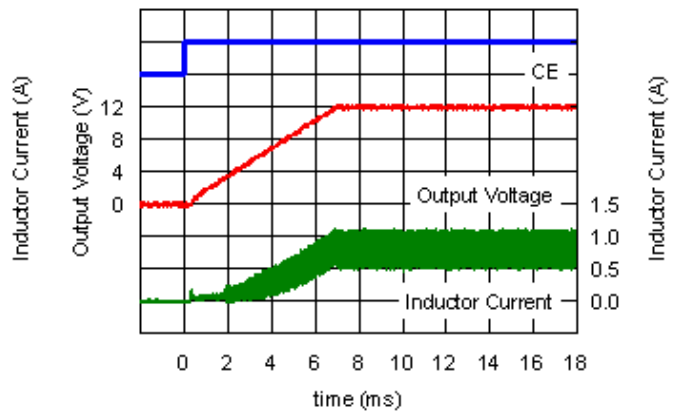
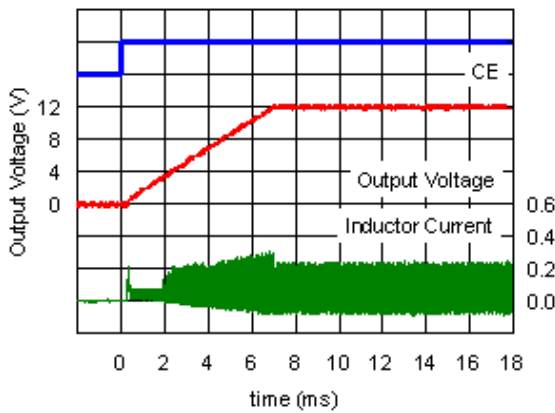
• V<sub>IN</sub> = 3.3 V, V<sub>OUT</sub> = 5.0 V, I<sub>OUT</sub> = 10 mA

• V<sub>IN</sub> = 3.3 V, V<sub>OUT</sub> = 5.0 V, I<sub>OUT</sub> = 500 mA



• V<sub>IN</sub> = 3.3 V, V<sub>OUT</sub> = 12 V, I<sub>OUT</sub> = 10 mA

• V<sub>IN</sub> = 3.3 V, V<sub>OUT</sub> = 12 V, I<sub>OUT</sub> = 200 mA



---

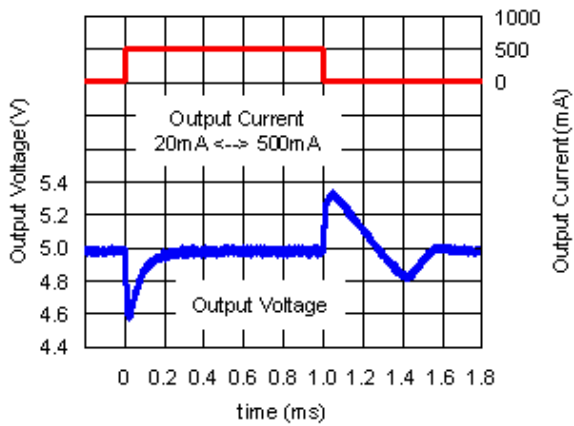
## R1213K

---

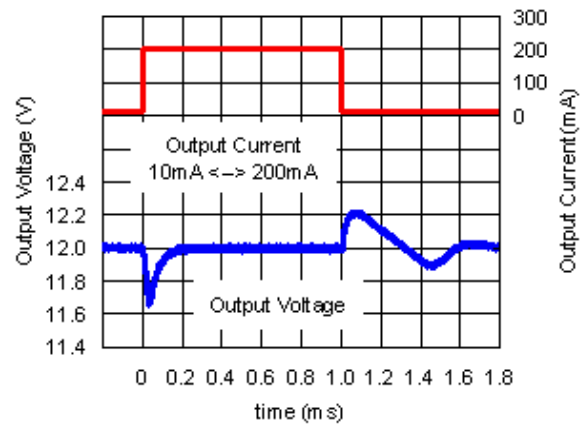
NO.EA-278-180731

### 13) Load Transient Response Waveform (Ta = 25°C)

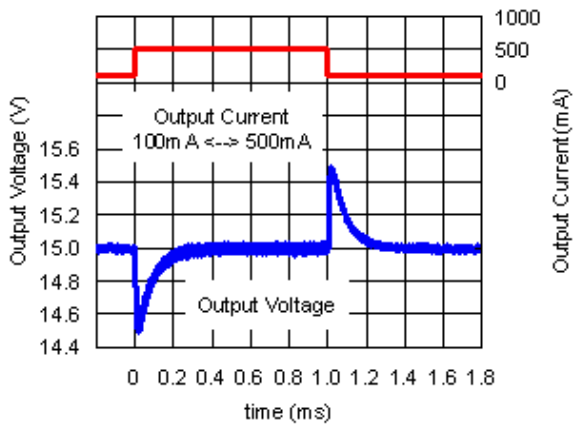
- $V_{IN} = 3.3\text{ V}$ ,  $V_{OUT} = 5.0\text{ V}$ ,  $I_{OUT} = 20 \leftrightarrow 500\text{ mA}$   
 $L = 4.7\text{ }\mu\text{H}$ ,  $C_{OUT} = 20\text{ }\mu\text{F}$ ,  $R_{COMP} = 8.2\text{ k}\Omega$ ,  
 $C_{COMP} = 6.8\text{ nF}$



- $V_{IN} = 3.0\text{ V}$ ,  $V_{OUT} = 12\text{ V}$ ,  $I_{OUT} = 10 \leftrightarrow 200\text{ mA}$   
 $L = 4.7\text{ }\mu\text{H}$ ,  $C_{OUT} = 20\text{ }\mu\text{F}$ ,  $R_{COMP} = 27\text{ k}\Omega$ ,  
 $C_{COMP} = 1.8\text{ nF}$

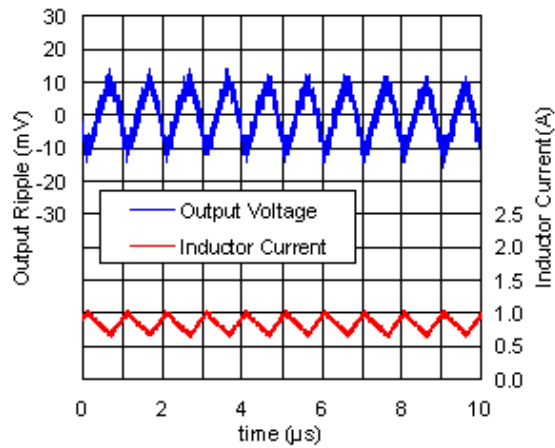


- $V_{IN} = 5.0\text{ V}$ ,  $V_{OUT} = 15.0\text{ V}$ ,  $I_{OUT} = 100 \leftrightarrow 500\text{ mA}$   
 $L = 6.8\text{ }\mu\text{H}$ ,  $C_{OUT} = 20\text{ }\mu\text{F}$ ,  $R_{COMP} = 15\text{ k}\Omega$ ,  
 $C_{COMP} = 5.1\text{ nF}$

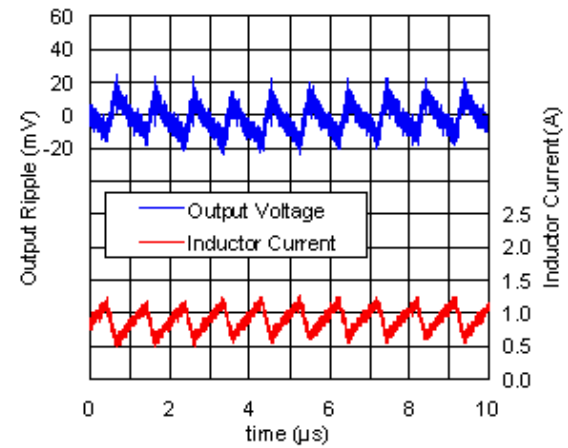


**14) Output Voltage Waveform (Ta = 25°C)**

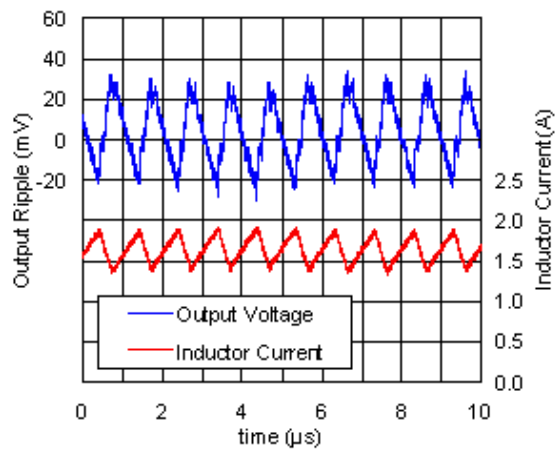
- $V_{IN} = 3.3\text{ V}$ ,  $V_{OUT} = 5.0\text{ V}$ ,  $I_{OUT} = 500\text{ mA}$   
 $L = 4.7\text{ }\mu\text{H}$ ,  $C_{OUT} = 20\text{ }\mu\text{F}$



- $V_{IN} = 3.3\text{ V}$ ,  $V_{OUT} = 12\text{ V}$ ,  $I_{OUT} = 200\text{ mA}$   
 $L = 4.7\text{ }\mu\text{H}$ ,  $C_{OUT} = 20\text{ }\mu\text{F}$



- $V_{IN} = 5.0\text{ V}$ ,  $V_{OUT} = 15\text{ V}$ ,  $I_{OUT} = 500\text{ mA}$   
 $L = 6.8\text{ }\mu\text{H}$ ,  $C_{OUT} = 20\text{ }\mu\text{F}$



The power dissipation of the package is dependent on PCB material, layout, and environmental conditions. The following measurement conditions are based on JEDEC STD. 51-7.

**Measurement Conditions**

Item	Measurement Conditions
Environment	Mounting on Board (Wind Velocity = 0 m/s)
Board Material	Glass Cloth Epoxy Plastic (Four-Layer Board)
Board Dimensions	76.2 mm × 114.3 mm × 0.8 mm
Copper Ratio	Outer Layer (First Layer): Less than 95% of 50 mm Square Inner Layers (Second and Third Layers): Approx. 100% of 50 mm Square Outer Layer (Fourth Layer): Approx. 100% of 50 mm Square
Through-holes	φ 0.3 mm × 23 pcs

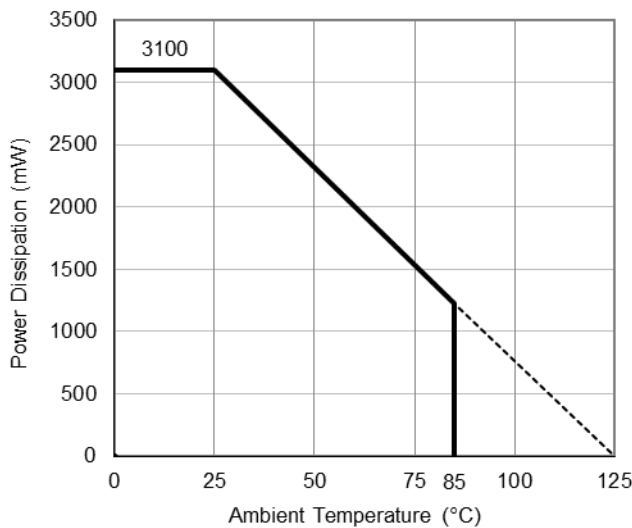
**Measurement Result**

(Ta = 25°C, Tjmax = 125°C)

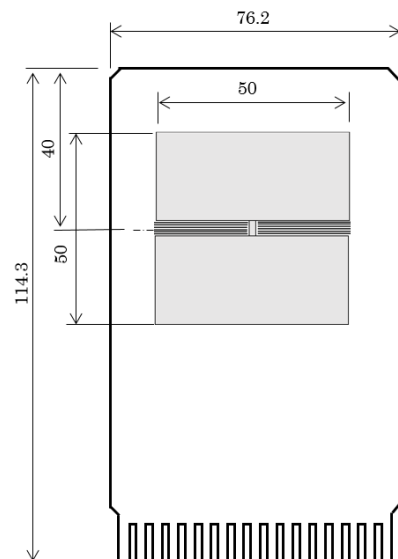
Item	Measurement Result
Power Dissipation	3100 mW
Thermal Resistance (θja)	θja = 32°C/W
Thermal Characterization Parameter (ψjt)	ψjt = 8°C/W

θja: Junction-to-Ambient Thermal Resistance

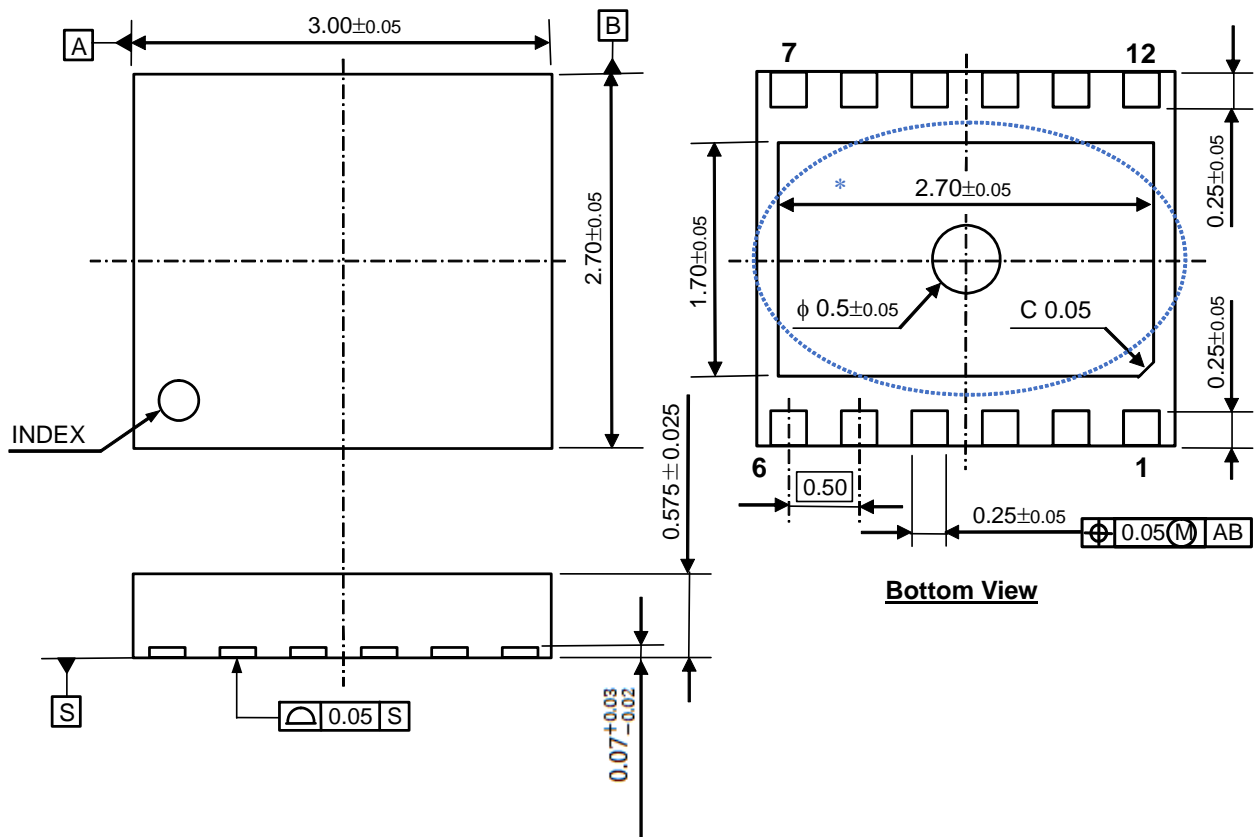
ψjt: Junction-to-Top Thermal Characterization Parameter



**Power Dissipation vs. Ambient Temperature**



**Measurement Board Pattern**



DFN(PLP)2730-12 Package Dimensions (Unit: mm)

\*The tab on the bottom of the package shown by blue circle is a substrate potential (GND). It is recommended that this tab be connected to the ground plane on the board but it is possible to leave the tab floating.



1. The products and the product specifications described in this document are subject to change or discontinuation of production without notice for reasons such as improvement. Therefore, before deciding to use the products, please refer to Ricoh sales representatives for the latest information thereon.
2. The materials in this document may not be copied or otherwise reproduced in whole or in part without prior written consent of Ricoh.
3. Please be sure to take any necessary formalities under relevant laws or regulations before exporting or otherwise taking out of your country the products or the technical information described herein.
4. The technical information described in this document shows typical characteristics of and example application circuits for the products. The release of such information is not to be construed as a warranty of or a grant of license under Ricoh's or any third party's intellectual property rights or any other rights.
5. The products listed in this document are intended and designed for use as general electronic components in standard applications (office equipment, telecommunication equipment, measuring instruments, consumer electronic products, amusement equipment etc.). Those customers intending to use a product in an application requiring extreme quality and reliability, for example, in a highly specific application where the failure or misoperation of the product could result in human injury or death (aircraft, spacevehicle, nuclear reactor control system, traffic control system, automotive and transportation equipment, combustion equipment, safety devices, life support system etc.) should first contact us.
6. We are making our continuous effort to improve the quality and reliability of our products, but semiconductor products are likely to fail with certain probability. In order to prevent any injury to persons or damages to property resulting from such failure, customers should be careful enough to incorporate safety measures in their design, such as redundancy feature, fire containment feature and fail-safe feature. We do not assume any liability or responsibility for any loss or damage arising from misuse or inappropriate use of the products.
7. Anti-radiation design is not implemented in the products described in this document.
8. The X-ray exposure can influence functions and characteristics of the products. Confirm the product functions and characteristics in the evaluation stage.
9. WLCSP products should be used in light shielded environments. The light exposure can influence functions and characteristics of the products under operation or storage.
10. There can be variation in the marking when different AOI (Automated Optical Inspection) equipment is used. In the case of recognizing the marking characteristic with AOI, please contact Ricoh sales or our distributor before attempting to use AOI.
11. Please contact Ricoh sales representatives should you have any questions or comments concerning the products or the technical information.



**Ricoh is committed to reducing the environmental loading materials in electrical devices with a view to contributing to the protection of human health and the environment.**

Ricoh has been providing RoHS compliant products since April 1, 2006 and Halogen-free products since April 1, 2012.

**RICOH** RICOH ELECTRONIC DEVICES CO., LTD.

<https://www.e-devices.ricoh.co.jp/en/>

#### Sales & Support Offices

##### **Ricoh Electronic Devices Co., Ltd.**

##### **Shin-Yokohama Office (International Sales)**

2-3, Shin-Yokohama 3-chome, Kohoku-ku, Yokohama-shi, Kanagawa, 222-8530, Japan  
Phone: +81-50-3814-7687 Fax: +81-45-474-0074

##### **Ricoh Americas Holdings, Inc.**

675 Campbell Technology Parkway, Suite 200 Campbell, CA 95008, U.S.A.  
Phone: +1-408-610-3105

##### **Ricoh Europe (Netherlands) B.V.**

##### **Semiconductor Support Centre**

Prof. W.H. Keesomlaan 1, 1183 DJ Amstelveen, The Netherlands  
Phone: +31-20-5474-309

##### **Ricoh International B.V. - German Branch**

##### **Semiconductor Sales and Support Centre**

Oberrather Strasse 6, 40472 Düsseldorf, Germany  
Phone: +49-211-6546-0

##### **Ricoh Electronic Devices Korea Co., Ltd.**

3F, Haesung Bldg, 504, Teheran-ro, Gangnam-gu, Seoul, 135-725, Korea  
Phone: +82-2-2135-5700 Fax: +82-2-2051-5713

##### **Ricoh Electronic Devices Shanghai Co., Ltd.**

Room 403, No.2 Building, No.690 Bibo Road, Pu Dong New District, Shanghai 201203,  
People's Republic of China  
Phone: +86-21-5027-3200 Fax: +86-21-5027-3299

##### **Ricoh Electronic Devices Shanghai Co., Ltd.**

##### **Shenzhen Branch**

1205, Block D (Jinlong Building), Kingkey 100, Hongbao Road, Luohu District,  
Shenzhen, China  
Phone: +86-755-8348-7600 Ext 225

##### **Ricoh Electronic Devices Co., Ltd.**

##### **Taipei office**

Room 109, 10F-1, No.51, Hengyang Rd., Taipei City, Taiwan  
Phone: +886-2-2313-1621/1622 Fax: +886-2-2313-1623