

DATA SHEET

SURFACE-MOUNT CERAMIC MULTILAYER CAPACITORS

Soft termination

NPO and X7R

16V TO 3KV

0.47pF to 2.2 uF

RoHS compliant & Halogen Free



SCOPE

This specification describes X7R series chip capacitors with Flexible leadfree terminations.

APPLICATIONS

High flexure stress circuit boards
Switch power supplies
Telecom base station

FEATURES

- Supplied in tape on reel
- Flexible termination system
- Leaded-free termination meet RoHS requirements
- Improved resistance to thermal stresses
- Increased mechanical performance

ORDERING INFORMATION-GLOBAL PART NUMBER

All part numbers are identified by the series, size, tolerance, TC material, packing style, voltage, process code, termination and capacitance value.

YAGEO ordering code

GLOBAL PART NUMBER (PREFERRED)

CS xxxx x x **X7R** x **Bx** xxx
(1) (2) (3) (4) (5) (6)

(1) SIZE – INCH BASED (METRIC)

| | |
|-------------|-------------|
| 0402 (1005) | 1206 (3216) |
| 0603 (1608) | 1210 (3225) |
| 0805 (2012) | 1808 (4520) |
| | 1812 (4532) |

(2) TOLERANCE

- G = ±2% (1)
- J = ±5% (2)
- K = ±10%
- M = ±20%

(3) PACKING STYLE

- R = Paper/PE taping reel; Reel 7 inch
- K = Blister taping reel; Reel 7 inch
- P = Paper/PE taping reel; Reel 13 inch
- F = Blister taping reel; Reel 13 inch

(4) RATED VOLTAGE

| | |
|-----------|-----------|
| 7 = 16 V | Y = 250 V |
| 8 = 25 V | B = 500 V |
| 9 = 50 V | Z = 630 V |
| 0 = 100 V | C = 1 kV |
| A = 200 V | D = 2 kV |
| | E = 3 kV |

(5) PROCESS

- N = NPO
- B = Class 2 MLCC

(6) CAPACITANCE VALUE

2 significant digits+number of zeros
The 3rd digit signifies the multiplying factor, and letter R is decimal point
Example: 103 = 10 × 10³ = 10,000 pF = 10 nF

NOTE

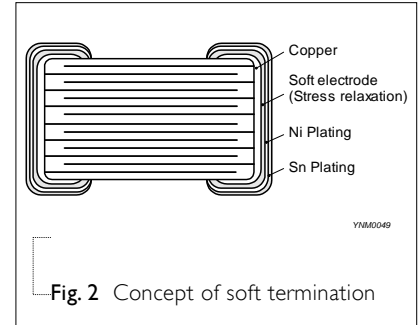
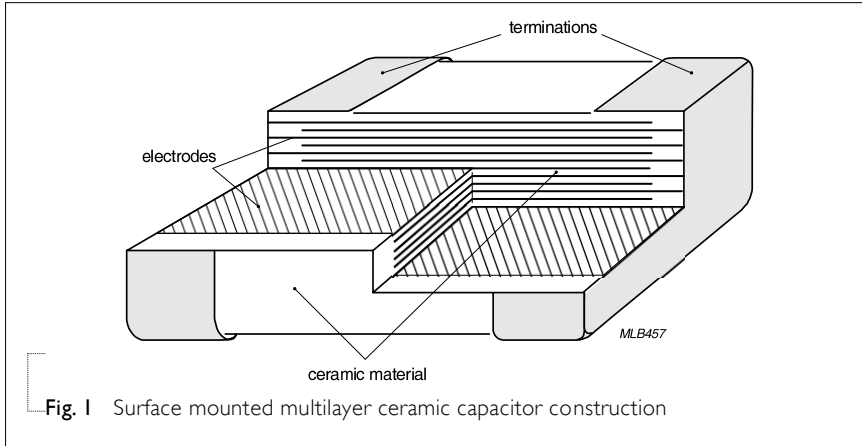
1. Tolerance ±2% doesn't available for full NPO product range, please contact local sales force before order.
2. Tolerance ±5% doesn't available for full X7R product range, please contact local sales force before order.

CONSTRUCTION

The capacitor consists of a rectangular block of ceramic dielectric in which a number of interleaved metal electrodes are contained. This structure gives rise to a high capacitance per unit volume.

The inner electrodes are connected to the two end flexible terminations and finally covered with a layer of plated tin (NiSn).

The terminations are lead-free. A cross section of the structure is shown in Fig.1 and Fig.2.



DIMENSION

Table I For outlines see fig. 3

| TYPE | LI (mm) | W (mm) | T (mm) | L2/L3(mm) min | L2/L3(mm) max | L4(mm) min | Dimension code | | | | |
|------|--------------|------------|-------------|------------------|------------------|---------------|----------------|------|------|------|----|
| 0402 | 1.0 ± 0.15 | 0.5 ± 0.15 | 0.50 ± 0.15 | 0.10 | 0.35 | 0.30 | CA | | | | |
| 0603 | 1.6 ± 0.20 | 0.8 ± 0.15 | 0.80 ± 0.15 | 0.20 | 0.65 | 0.50 | DA | | | | |
| | 1.6 ± 0.25 | 0.8 ± 0.25 | 0.80 ± 0.25 | 0.20 | 0.85 | 0.20 | DB | | | | |
| 0805 | 2.0 ± 0.3 | 1.25 ± 0.2 | 0.60 ± 0.15 | 0.25 | 0.75 | 0.70 | EA | | | | |
| | | | 0.85 ± 0.15 | | | | EB | | | | |
| | | | 1.25 ± 0.20 | | | | EC | | | | |
| | | | 1.25 ± 0.25 | | | | 1.25 ± 0.25 | 0.25 | 0.85 | 0.50 | ED |
| | | | 0.60 ± 0.15 | | | | FA | | | | |
| 1206 | 3.2 ± 0.4 | 1.6 ± 0.2 | 0.85 ± 0.15 | 0.25 | 0.85 | 1.50 | FC | | | | |
| | | | 1.15 ± 0.20 | | | | FD | | | | |
| | | | 1.25 ± 0.20 | | | | FE | | | | |
| | | | 1.60 ± 0.20 | | | | FF | | | | |
| | | | 1.6 ± 0.3 | | | | 1.60 ± 0.30 | 0.25 | 1.00 | 1.20 | GA |
| 1210 | 3.2 ± 0.5 | 2.5 ± 0.3 | 0.85 ± 0.20 | 0.25 | 0.85 | 1.40 | GB | | | | |
| | | | 1.15 ± 0.30 | | | | GC | | | | |
| | | | 1.25+/-0.20 | | | | GD | | | | |
| | | | 1.25+/-0.30 | | | | GE | | | | |
| | | | 1.60+/-0.30 | | | | GF | | | | |
| | | | 2.00+/-0.30 | | | | GG | | | | |
| | | | 2.5 ± 0.3 | | | | 0.25 | 1.0 | 1.2 | HA | |
| 1808 | 4.5+0.6/-0.4 | 2.0+/-0.4 | 1.25+/-0.20 | 0.25 | 0.85 | 2.20 | HB | | | | |
| | | | 1.35+/-0.40 | | | | HC | | | | |
| | | | 1.60+/-0.20 | | | | HD | | | | |
| | | | 1.60+/-0.40 | | | | HE | | | | |
| | | | 2.00+/-0.40 | | | | IA | | | | |
| 1812 | 4.5+0.6/-0.4 | 3.2+/-0.4 | 0.85+/-0.30 | 0.25 | 0.85 | 2.20 | IB | | | | |
| | | | 1.15+/-0.40 | | | | IC | | | | |
| | | | 1.25+/-0.20 | | | | ID | | | | |
| | | | 1.25+/-0.40 | | | | IE | | | | |
| | | | 1.35+/-0.40 | | | | IF | | | | |

OUTLINES



CAPACITANCE RANGE & THICKNESS

Table 2 NPO / 0402 to 0805

| CAP. | 0402 | | 0603 | | | 0805 | | | | | |
|---------|------|------|------|------|------|------|------|------|------|------|-------|
| | 50V | 100V | 50V | 100V | 250V | 50V | 100V | 250V | 500V | 630V | 1000V |
| 0.47 pF | CA | CA | DA | DA | DA | EA | EA | EA | EA | | |
| 0.56 pF | CA | CA | DA | DA | DA | EA | EA | EA | EA | | |
| 0.68 pF | CA | CA | DA | DA | DA | EA | EA | EA | EA | | |
| 0.82 pF | CA | CA | DA | DA | DA | EA | EA | EA | EA | | |
| 1 pF | CA | CA | DA | DA | DA | EA | EA | EA | EA | | |
| 1.2 pF | CA | CA | DA | DA | DA | EA | EA | EA | EA | | |
| 1.5 pF | CA | CA | DA | DA | DA | EA | EA | EA | EA | | |
| 1.8 pF | CA | CA | DA | DA | DA | EA | EA | EA | EA | | |
| 2.2 pF | CA | CA | DA | DA | DA | EA | EA | EA | EA | | |
| 2.7 pF | CA | CA | DA | DA | DA | EA | EA | EA | EA | | |
| 3.3 pF | CA | CA | DA | DA | DA | EA | EA | EA | EA | | |
| 3.9 pF | CA | CA | DA | DA | DA | EA | EA | EA | EA | | |
| 4.7 pF | CA | CA | DA | DA | DA | EA | EA | EA | EA | | |
| 5.6 pF | CA | CA | DA | DA | DA | EA | EA | EA | EA | | |
| 6.8 pF | CA | CA | DA | DA | DA | EA | EA | EA | EA | | |
| 8.2 pF | CA | CA | DA | DA | DA | EA | EA | EA | EA | | |
| 10 pF | CA | CA | DA | DA | DA | EA | EA | EA | EA | EA | EB |
| 12 pF | CA | CA | DA | DA | DA | EA | EA | EA | EA | EA | EB |
| 15 pF | CA | CA | DA | DA | DA | EA | EA | EA | EA | EA | EB |
| 18 pF | CA | CA | DA | DA | DA | EA | EA | EA | EA | EA | EB |
| 22 pF | CA | CA | DA | DA | DA | EA | EA | EA | EA | EA | EB |
| 27 pF | CA | CA | DA | DA | DA | EA | EA | EA | EA | EA | EB |
| 33 pF | CA | CA | DA | DA | DA | EA | EA | EA | EA | EA | EB |
| 39 pF | CA | CA | DA | DA | DA | EA | EA | EA | EA | EA | EB |
| 47 pF | CA | CA | DA | DA | DA | EA | EA | EA | EA | EA | EB |
| 56 pF | CA | CA | DA | DA | DA | EA | EA | EA | EA | EA | EC |
| 68 pF | CA | CA | DA | DA | DA | EA | EA | EA | EA | EA | EC |
| 82 pF | CA | CA | DA | DA | DA | EA | EA | EA | EA | EA | EC |
| 100 pF | CA | CA | DA | DA | DA | EA | EA | EA | EA | EA | |

Tape width

8 mm

NOTE

1. Values in shaded cells indicate thickness class in mm
2. Capacitance value of non E-12 series is on request
3. For product with 2% tolerance, please contact local sales force before ordering



CAPACITANCE RANGE & THICKNESS

Table 3 NPO / 0402 to 0805

| CAP. | 0402 | | 0603 | | | 0805 | | | | | |
|--------|------|------|------|------|------|------|------|------|------|------|-------|
| | 50V | 100V | 50V | 100V | 250V | 50V | 100V | 250V | 500V | 630V | 1000V |
| 120 pF | CA | CA | DA | DA | DA | EA | EA | EA | EA | EA | |
| 150 pF | CA | CA | DA | DA | DA | EA | EA | EA | EA | EA | |
| 180 pF | CA | | DA | DA | DA | EA | EA | EA | EA | EA | |
| 220 pF | CA | | DA | DA | DA | EA | EA | EB | EB | EB | |
| 270 pF | CA | | DA | DA | DA | EA | EA | EB | EB | EB | |
| 330 pF | CA | | DA | DA | DA | EA | EA | EB | EB | EB | |
| 390 pF | CA | | DA | DA | DA | EA | EA | EB | EB | EB | |
| 470 pF | CA | | DA | DA | DA | EA | EA | EB | EB | EB | |
| 560 pF | | | DA | DA | DA | EA | EA | EB | EC | EC | |
| 680 pF | | | DA | DA | DA | EA | EA | EB | EC | EC | |
| 820 pF | | | DA | DA | | EA | EA | EB | EC | EC | |
| 1.0 nF | | | DA | DA | | EA | EA | EB | EC | EC | |
| 1.2 nF | | | DA | | | EB | EB | EC | | | |
| 1.5 nF | | | DA | | | EB | EB | EC | | | |
| 1.8 nF | | | DA | | | EB | EB | EC | | | |
| 2.2 nF | | | DA | | | EC | EC | EC | | | |
| 2.7 nF | | | DA | | | EC | EC | EC | | | |
| 3.3 nF | | | DA | | | EC | EC | EC | | | |
| 3.9 nF | | | | | | EC | EC | EC | | | |
| 4.7 nF | | | | | | EC | EC | EC | | | |
| 5.6 nF | | | | | | EC | EC | | | | |
| 6.8 nF | | | | | | EC | EC | | | | |
| 8.2 nF | | | | | | EC | EC | | | | |
| 10 nF | | | | | | EC | EC | | | | |

Tape width 8 mm

NOTE

1. Values in shaded cells indicate thickness class in mm
2. Capacitance value of non E-12 series is on request
3. For product with 2% tolerance, please contact local sales force before ordering

CAPACITANCE RANGE & THICKNESS

Table 4 NPO / I206 to I210

| CAP. | I206 | | | I210 | | | | | | | | | | | | |
|---------|------|------|------|------|------|-------|-------|-------|-----|------|------|------|------|-------|-------|----|
| | 50V | 100V | 250V | 500V | 630V | 1000V | 2000V | 3000V | 50V | 100V | 250V | 500V | 630V | 1000V | 2000V | |
| 0.47 pF | FA | FA | FA | | | | | | | | | | | | | |
| 0.56 pF | FA | FA | FA | | | | | | | | | | | | | |
| 0.68 pF | FA | FA | FA | | | | | | | | | | | | | |
| 0.82 pF | FA | FA | FA | | | | | | | | | | | | | |
| 1 pF | FA | FA | FA | | | | | | | | | | | | | |
| 1.2 pF | FA | FA | FA | | | | | | | | | | | | | |
| 1.5 pF | FA | FA | FA | | | | | | | | | | | | | |
| 1.8 pF | FA | FA | FA | | | | | | | | | | | | | |
| 2.2 pF | FA | FA | FA | FA | | | | | | | | | | | | |
| 2.7 pF | FA | FA | FA | FA | | | | | | | | | | | | |
| 3.3 pF | FA | FA | FA | FA | | | | | | | | | | | | |
| 3.9 pF | FA | FA | FA | FA | | | | | | | | | | | | |
| 4.7 pF | FA | FA | FA | FA | | | | | | | | | | | | |
| 5.6 pF | FA | FA | FA | FA | | | | | | | | | | | | |
| 6.8 pF | FA | FA | FA | FA | | | | | | | | | | | | |
| 8.2 pF | FA | FA | FA | FA | | | | | | | | | | | | |
| 10 pF | FA | FA | FA | FA | FD | FD | FD | FD | | | | | | | | |
| 12 pF | FA | FA | FA | FA | FD | FD | FD | FD | | | | | | | | |
| 15 pF | FA | FA | FA | FA | FD | FD | FD | FD | | | | | | | | |
| 18 pF | FA | FA | FA | FA | FD | FD | FD | FD | | | | | | | | |
| 22 pF | FA | FA | FA | FA | FD | FD | FD | FD | | | | | | | | |
| 27 pF | FA | FA | FA | FA | FD | FD | FD | FD | | | | | | | | |
| 33 pF | FA | FA | FA | FA | FD | FD | FD | FD | | | | | | GC | GC | GC |
| 39 pF | FA | FA | FA | FA | FD | FD | FD | FD | | | | | | GC | GC | GC |
| 47 pF | FA | FA | FA | FA | FD | FD | FD | FD | GC | GC | GC | GC | GC | GC | GC | GC |
| 56 pF | FA | FA | FA | FA | FD | FD | FD | | GC | GC | GC | GC | GC | GC | GC | GC |
| 68 pF | FA | FA | FA | FA | FD | FD | FD | | GC | GC | GC | GC | GC | GC | GC | GC |
| 82 pF | FA | FA | FA | FA | FD | FD | FD | | GC | GC | GC | GC | GC | GC | GC | GC |
| 100 pF | FA | FA | FA | FA | FD | FD | FD | | GC | GC | GC | GC | GC | GC | GC | GC |

Tape width

CAPACITANCE RANGE & THICKNESS

Table 5 NPO / 1206 to 1210

| CAP. | 1206 | | | | | | | 1210 | | | | | | |
|--------|------|------|------|------|------|-------|-------|------|------|------|------|------|-------|-------|
| | 50V | 100V | 250V | 500V | 630V | 1000V | 2000V | 50V | 100V | 250V | 500V | 630V | 1000V | 2000V |
| 120 pF | FA | FA | FA | FA | FD | FD | FD | GC | GC | GC | GC | GC | GC | GC |
| 150 pF | FA | FA | FA | FA | FD | FD | FD | GC | GC | GC | GC | GC | GC | GC |
| 180 pF | FA | FA | FA | FA | FD | FD | FD | GC | GC | GC | GC | GC | GC | GC |
| 220 pF | FA | FA | FA | FA | FD | FD | FD | GC | GC | GC | GC | GC | GC | GC |
| 270 pF | FA | FA | FA | FA | FD | FD | | GC | GC | GC | GC | GC | GC | |
| 330 pF | FA | FA | FA | FA | FD | FD | | GC | GC | GC | GC | GC | GC | |
| 390 pF | FA | FA | FA | FA | FD | FD | | GC | GC | GC | GC | GC | GC | |
| 470 pF | FA | FA | FA | FA | FD | FD | | GC | GC | GC | GC | GC | GC | |
| 560 pF | FA | FA | FA | FA | FD | FD | | GC | GC | GC | GC | GC | GC | |
| 680 pF | FA | FA | FA | FA | FD | FD | | GC | GC | GC | GC | GC | GC | |
| 820 pF | FA | FA | FB | FB | FD | FD | | GC | GC | GC | GC | GC | GC | |
| 1.0 nF | FA | FA | FB | FB | FD | FD | | GC | GC | GC | GC | GC | GC | |
| 1.2 nF | FA | FA | FB | FB | FD | | | GC | GC | GC | GC | | | |
| 1.5 nF | FA | FA | FB | FB | FD | | | GC | GC | GC | GC | | | |
| 1.8 nF | FA | FA | FD | FD | FD | | | GC | GC | GC | GC | | | |
| 2.2 nF | FA | FA | FD | FD | FD | | | GC | GC | GC | GC | | | |
| 2.7 nF | FA | FA | FD | | | | | GC | GC | GC | GC | | | |
| 3.3 nF | FB | FB | FD | | | | | GC | GC | GC | GC | | | |
| 3.9 nF | FB | FB | FD | | | | | GC | GC | GC | GC | | | |
| 4.7 nF | FB | FB | | | | | | GC | GC | GC | GC | | | |
| 5.6 nF | FB | FB | | | | | | GC | GC | | | | | |
| 6.8 nF | FB | FB | | | | | | GC | GC | | | | | |
| 8.2 nF | FD | FD | | | | | | GC | GC | | | | | |
| 10 nF | FD | FD | | | | | | GC | GC | | | | | |

Tape width 8 mm

CAPACITANCE RANGE & THICKNESS

Table 6 NPO / I808 to I812

| CAP. | I808 | | | I812 | | | | | | |
|--------|-------|-------|-------|------|------|------|------|-------|-------|-------|
| | 1000V | 2000V | 3000V | 100V | 250V | 500V | 630V | 1000V | 2000V | 3000V |
| 10 pF | | | HC | | | | | IC | IC | IC |
| 12 pF | | | HC | | | | | IC | IC | IC |
| 15 pF | | | HC | | | | | IC | IC | IC |
| 18 pF | | | HC | | | | | IC | IC | IC |
| 22 pF | | | HC | | | | | IC | IC | IC |
| 27 pF | | | HC | | | | | IC | IC | IC |
| 33 pF | HA | HA | HC | | | | | IC | IC | IC |
| 39 pF | HA | HA | HC | | | | | IC | IC | IC |
| 47 pF | HA | HA | HC | | | | | IC | IC | IC |
| 56 pF | HA | HA | HC | IC | IC | IC | IC | IC | IC | IC |
| 68 pF | HA | HA | HC | IC | IC | IC | IC | IC | IC | IC |
| 82 pF | HA | HA | HC | IC | IC | IC | IC | IC | IC | IC |
| 100 pF | HA | HA | HC | IC | IC | IC | IC | IC | IC | IC |
| 120 pF | HA | HA | | IC | IC | IC | IC | IC | IC | IC |
| 150 pF | HA | HA | | IC | IC | IC | IC | IC | IC | IC |
| 180 pF | HA | HA | | IC | IC | IC | IC | IC | IC | IC |
| 220 pF | HA | HA | | IC | IC | IC | IC | IC | IC | IC |
| 270 pF | HA | HA | | IC | IC | IC | IC | IC | IC | |
| 330 pF | HA | HA | | IC | IC | IC | IC | IC | IC | |
| 390 pF | HA | HA | | IC | IC | IC | IC | IC | IC | |
| 470 pF | HA | HA | | IC | IC | IC | IC | IC | | |
| 560 pF | HA | HA | | IC | IC | IC | IC | IC | | |
| 680 pF | | | | IC | IC | IC | IC | IC | | |
| 820 pF | | | | IC | IC | IC | IC | IC | | |
| 1.0 nF | | | | IC | IC | IC | IC | IC | | |
| 1.2 nF | | | | IC | IC | IC | IC | IC | | |
| 1.5 nF | | | | IC | IC | IC | IC | IC | | |
| 1.8 nF | | | | IC | IC | IC | | | | |
| 2.2 nF | | | | IC | IC | IC | | | | |
| 2.7 nF | | | | IC | IC | IC | | | | |
| 3.3 nF | | | | IC | IC | IC | | | | |
| 3.9 nF | | | | IC | IC | IC | | | | |
| 4.7 nF | | | | IC | IC | IC | | | | |
| 5.6 nF | | | | IC | | | | | | |
| 6.8 nF | | | | IC | | | | | | |
| 8.2 nF | | | | IC | | | | | | |
| 10 nF | | | | IC | | | | | | |
| 12 nF | | | | IC | | | | | | |
| 15 nF | | | | IC | | | | | | |
| 18 nF | | | | IC | | | | | | |
| 22 nF | | | | IC | | | | | | |
| 27 nF | | | | | | | | | | |
| 33 nF | | | | | | | | | | |

Tape Width 12 mm

NOTE

1. Values in shaded cells indicate thickness class in mm
2. Capacitance value of non E-12 series is on request
3. For product with 2% tolerance, please contact local sales force before ordering



CAPACITANCE RANGE & THICKNESS

Table 7 X7R / 0402 to 0805

| CAP. | 0402 | | | | 0603 | | | | 0805 | | | | | | | | |
|---------|------|-----|-----|------|------|-----|-----|------|------|-----|-----|-----|------|------|------|------|-------|
| | 16V | 25V | 50V | 100V | 16V | 25V | 50V | 100V | 250V | 16V | 25V | 50V | 100V | 250V | 500V | 630V | 1000V |
| 100 pF | CA | CA | CA | CA | DA | DA | DA | DA | DA | | | | | | | | |
| 150 pF | CA | CA | CA | CA | DA | DA | DA | DA | DA | EA | EA | EA | EA | EB | EB | EB | EB |
| 220 pF | CA | CA | CA | CA | DA | DA | DA | DA | DA | EA | EA | EA | EA | EB | EB | EB | EB |
| 330 pF | CA | CA | CA | CA | DA | DA | DA | DA | DA | EA | EA | EA | EA | EB | EB | EB | EB |
| 470 pF | CA | CA | CA | CA | DA | DA | DA | DA | DA | EA | EA | EA | EA | EB | EB | EB | EB |
| 680 pF | CA | CA | CA | CA | DA | DA | DA | DA | DA | EA | EA | EA | EA | EB | EB | EB | EB |
| 1.0 nF | CA | CA | CA | CA | DA | DA | DA | DA | DA | EA | EA | EA | EA | EB | EB | EB | EB |
| 1.5 nF | CA | CA | CA | CA | DA | DA | DA | DA | DA | EA | EA | EA | EA | EB | EB | EB | |
| 2.2 nF | CA | CA | CA | CA | DA | DA | DA | DA | DA | EA | EA | EA | EA | EB | EB | EB | |
| 3.3 nF | CA | CA | CA | CA | DA | DA | DA | DA | | EA | EA | EA | EA | EB | EB | EB | |
| 4.7 nF | CA | CA | CA | CA | DA | DA | DA | DA | | EA | EA | EA | EA | EB | EB | EB | |
| 6.8 nF | CA | CA | CA | CA | DA | DA | DA | DA | | EA | EA | EA | EA | EC | EB | EB | |
| 10 nF | CA | CA | CA | CA | DA | DA | DA | DA | | EA | EA | EA | EA | EC | EC | EC | |
| 15 nF | CA | CA | CA | | DA | DA | DA | DA | | EA | EA | EA | EB | EC | EC | | |
| 22 nF | CA | CA | CA | | DA | DA | DA | DA | | EA | EA | EA | EB | EC | EC | | |
| 33 nF | CA | CA | CA | | DA | DA | DA | DA | | EB | EB | EB | EC | | | | |
| 47 nF | CA | CA | CA | | DA | DA | DA | DA | | EB | EB | EB | EC | | | | |
| 68 nF | CA | CA | | | DA | DA | DA | DA | | EB | EB | EB | EC | | | | |
| 100 nF | CA | CA | | | DA | DA | DA | DA | | EB | EB | EB | EC | | | | |
| 150 nF | | | | | DA | DA | DA | | | EC | EC | EC | | | | | |
| 220 nF | | | | | DA | DA | DA | | | EC | EC | EC | | | | | |
| 330 nF | | | | | DA | DA | | | | EC | EC | EC | | | | | |
| 470 nF | | | | | DA | DA | | | | EC | EC | EC | | | | | |
| 680 nF | | | | | DA | | | | | EC | EC | EC | | | | | |
| 1000 nF | | | | | DA | | | | | EC | EC | EC | | | | | |
| 2.2 μF | | | | | | | | | | EC | ED | | | | | | |
| 4.7 μF | | | | | | | | | | ED | | | | | | | |

Tape width

8 mm

NOTE

1. Values in shaded cells indicate thickness class in mm
2. Capacitance value of non E-6 series is on request
3. For product with 5% tolerance, please contact local sales force before ordering

CAPACITANCE RANGE & THICKNESS

Table 8 X7R / I206 to I210

| CAP. | I206 | | | | | | | | | I210 | | | | | | | | |
|------------|------|-----|-----|------|----------|------|------|-------|-------|------|-----|-----|------|------|------|------|-------|-------|
| | 16V | 25V | 50V | 100V | 200/250V | 500V | 630V | 1000V | 2000V | 16V | 25V | 50V | 100V | 250V | 500V | 630V | 1000V | 2000V |
| 100 pF | | | | | | | | | | | | | | | | | | |
| 150 pF | | | | | | | | | | | | | | | | | | |
| 220 pF | FB | FB | FB | FB | FB | FD | FD | FD | FD | | | | | | | | | |
| 330 pF | FB | FB | FB | FB | FB | FD | FD | FD | FD | | | | | | | | | |
| 470 pF | FB | FB | FB | FB | FB | FD | FD | FD | FD | | | | | | | | GD | GD |
| 680 pF | FB | FB | FB | FB | FB | FD | FD | FD | FD | | | | | | | | GD | GD |
| 1.0 nF | FB | FB | FB | FB | FB | FD | FD | FD | FD | | | | | | | | GD | GD |
| 1.5 nF | FB | FB | FB | FB | FB | FD | FD | FD | FD | | | | | | | | GD | GD |
| 2.2 nF | FB | FB | FB | FB | FB | FD | FD | FD | | GA | GA | GA | GA | GA | | | GD | GE |
| 3.3 nF | FB | FB | FB | FB | FB | FD | FD | FD | | GA | GA | GA | GA | GA | GD | GD | GD | |
| 4.7 nF | FB | FB | FB | FB | FB | FD | FD | FD | | GA | GA | GA | GA | GA | GD | GD | GD | |
| 6.8 nF | FB | FB | FB | FB | FB | FD | FD | FD | | GA | GA | GA | GA | GA | GD | GD | GD | |
| 10 nF | FB | FB | FB | FB | FB | FD | FD | FD | | GA | GA | GA | GA | GA | GD | GD | GD | |
| 15 nF | FB | FB | FB | FB | FB | FD | FD | | | GA | GA | GA | GA | GA | GD | GD | GD | |
| 22 nF | FB | FB | FB | FB | FD | FD | FE | | | GA | GA | GA | GA | GD | GD | GE | GE | |
| 33 nF | FB | FB | FB | FB | FD | FE | FE | | | GA | GA | GA | GA | GD | GD | | | |
| 47 nF | FB | FB | FB | FB | FD | | | | | GA | GA | GA | GA | GD | GD | | | |
| 68 nF | FB | FB | FB | FD | FD | | | | | GA | GA | GA | GA | GD | | | | |
| 100 nF | FB | FB | FB | FD | FE | | | | | GA | GA | GA | GA | GD | | | | |
| 150 nF | FB | FB | FC | FD | | | | | | GA | GA | GB | GD | GD | | | | |
| 220 nF | FB | FB | FC | FD | | | | | | GA | GA | GB | GD | GD | | | | |
| 330 nF | FE | FE | FE | FF | | | | | | GA | GA | GB | GD | | | | | |
| 470 nF | FE | FE | FE | FF | | | | | | GB | GB | GD | GD | | | | | |
| 680 nF | FC | FC | FF | FF | | | | | | GB | GB | GD | GF | | | | | |
| 1000 nF | FC | FC | FF | FF | | | | | | GD | GD | GD | GF | | | | | |
| 2.2 μF | FC | FC | FF | FF | | | | | | GG | GG | GG | GF | | | | | |
| 4.7 μF | FF | FF | | | | | | | | GG | GG | GG | | | | | | |
| 10 μF | FF | FF | | | | | | | | GG | GG | GG | | | | | | |
| Tape width | | | | | | | | | | | | | | | | | | 8 mm |

NOTE

1. Values in shaded cells indicate thickness class in mm
2. Capacitance value of non E-6 series is on request
3. For product with 5% tolerance, please contact local sales force before ordering

CAPACITANCE RANGE & THICKNESS

Table 9 X7R / 1808 to 1812

| CAP. | 1808 | | | 1812 | | | | | | |
|------------|-------|-------|-------|-------|------|------|------|------|-------|-------|
| | 1000V | 2000V | 3000V | 50V | 100V | 250V | 500V | 630V | 1000V | 2000V |
| 100 pF | | | | | | | | | | |
| 150 pF | | | | | | | | | | |
| 220 pF | | | | | | | | | | |
| 330 pF | HB | HB | HD | | | | | | | |
| 470 pF | HB | HB | HD | | | | | | | |
| 680 pF | HB | HB | HD | | | | | | | |
| 1.0 nF | HB | HB | HE | | | | | | | |
| 1.5 nF | HB | HB | HE | | | | | | | |
| 2.2 nF | HB | HD | | IA | IA | IA | ID | IE | IE | IE |
| 3.3 nF | HB | | | IA | IA | IA | ID | IE | IE | IE |
| 4.7 nF | HB | | | IA | IA | IA | ID | IE | IE | IE |
| 6.8 nF | HD | | | IA | IA | IA | ID | IE | IE | |
| 10 nF | HD | | | IA | IA | IA | ID | IE | IE | |
| 15 nF | | | | IA | IA | IA | ID | IE | IE | |
| 22 nF | | | | IA | IA | IA | ID | IE | IE | |
| 33 nF | | | | IA | IA | IA | ID | IF | IF | |
| 47 nF | | | | IA | IA | ID | ID | | | |
| 68 nF | | | | IA | IA | ID | ID | | | |
| 100 nF | | | | IB | ID | ID | IF | | | |
| 150 nF | | | | IB | ID | ID | | | | |
| 220 nF | | | | IB | ID | IF | | | | |
| 330 nF | | | | IB | ID | IF | | | | |
| 470 nF | | | | IB | IF | IF | | | | |
| 680 nF | | | | IF | IF | | | | | |
| 1000 nF | | | | IF | IF | | | | | |
| 2.2 µF | | | | | | | | | | |
| Tape width | | | | 12 mm | | | | | | |

NOTE

1. Values in shaded cells indicate thickness class in mm
2. Capacitance value of non E-6 series is on request
3. For product with 5% tolerance, please contact local sales force before ordering

THICKNESS CLASSES AND PACKING QUANTITY

Table 10

| SIZE CODE | THICKNESS CLASSIFICATION | TAPE WIDTH QUANTITY PER REEL | Ø180 MM / 7 INCH | | Ø180 MM / 13 INCH | |
|-----------|--------------------------|------------------------------|------------------|---------|-------------------|---------|
| | | | PAPER | BLISTER | PAPER | BLISTER |
| 0402 | 0.50+/-0.15 | 8mm | 10,000 | -- | 50,000 | -- |
| 0603 | 0.80+/-0.15 | 8mm | 4,000 | -- | 15,000 | -- |
| 0805 | 0.60+/-0.15 | 8mm | 4,000 | -- | 20,000 | -- |
| | 0.85+/-0.15 | 8mm | 4,000 | -- | 15,000 | -- |
| | 1.25+/-0.20 | 8mm | -- | 3,000 | -- | 10,000 |
| 1206 | 0.60+/-0.15 | 8mm | 4,000 | -- | 20,000 | -- |
| | 0.85+/-0.15 | 8mm | 4,000 | -- | 15,000 | -- |
| | 1.15+/-0.20 | 8mm | -- | 3,000 | -- | 10,000 |
| | 1.25+/-0.20 | 8mm | -- | 3,000 | -- | 10,000 |
| | 1.60+/-0.20 | 8mm | -- | 2,000 | -- | 8,000 |
| | 1.60+/-0.30 | 8mm | -- | 2,000 | -- | 8,000 |
| 1210 | 0.85+/-0.20 | 8mm | -- | 4,000 | -- | 10,000 |
| | 1.15+/-0.30 | 8mm | -- | 3,000 | -- | 10,000 |
| | 1.25+/-0.20 | 8mm | -- | 3,000 | -- | 10,000 |
| | 1.25+/-0.30 | 8mm | -- | 3,000 | -- | 10,000 |
| | 1.60+/-0.30 | 8mm | -- | 2,000 | -- | 5,000 |
| | 2.00+/-0.30 | 8mm | -- | 2,000 | -- | -- |
| 1808 | 1.25+/-0.20 | 12mm | -- | 2,000 | -- | -- |
| | 1.35+/-0.40 | 12mm | -- | 2,000 | -- | -- |
| | 1.60+/-0.20 | 12mm | -- | 2,000 | -- | -- |
| | 1.60+/-0.40 | 12mm | -- | 2,000 | -- | -- |
| | 2.00+/-0.40 | 12mm | -- | 2,000 | -- | -- |
| 1812 | 0.85+/-0.30 | 12mm | -- | 2,000 | -- | -- |
| | 1.15+/-0.40 | 12mm | -- | 1,000 | -- | -- |
| | 1.25+/-0.20 | 12mm | -- | 1,000 | -- | -- |
| | 1.25+/-0.40 | 12mm | -- | 1,000 | -- | -- |
| | 1.35+/-0.40 | 12mm | -- | 1,000 | -- | -- |
| | 1.60+/-0.40 | 12mm | -- | 1,000 | -- | -- |

ELECTRICAL CHARACTERISTICS

X7R DIELECTRIC CAPACITORS; NISN TERMINATIONS

Unless otherwise specified, all test and measurements shall be made under standard atmospheric conditions for testing as given in 5.3 of IEC 60068-1:

- Temperature: 15 °C to 35 °C
- Relative humidity: 25% to 75%
- Air pressure: 86 kPa to 106 kPa

Before the measurements are made, the capacitor shall be stored at the measuring temperature for a time sufficient to allow the entire capacitor to reach this temperature.

The period as prescribed for recovery at the end of a test is normally sufficient for this purpose.

Table 11

| DESCRIPTION | | VALUE | | | | | | |
|---------------------------|---------------|-------------------|-----------------|----------------|----------------|---------------|------|--------|
| Capacitance range | | 100 pF to 2.2µF | | | | | | |
| Dissipation factor (D.F.) | | | | | | | | |
| NPO | C < 30 pF | ≤ 1 / (400 + 20C) | | | | | | |
| | C ≥ 30 pF | ≤ 0.1 % | | | | | | |
| X7R | 0402 | 0603 | 0805 | 1206 | 1210 | 1808 | 1812 | |
| 16V | 100pF to 22nF | 100pF to 220nF | 150pF to 470nF | 220pF to 1µF | 2.2nF to 1µF | | | ≤ 3.5% |
| | 27nF to 100nF | 470nF to 1µF | 680 nF to 2.2µF | 2.2µF | | | | ≤ 5% |
| | | | | 4.7µF | 4.7µF to 10µF | 2.2µF to 10µF | | |
| 25V | 100pF to 10nF | 100pF to 39nF | 150pF to 180nF | 220pF to 680nF | 2.2nF to 1µF | | | ≤ 2.5% |
| | 12 nF to 47nF | 47nF to 220nF | 220nF to 470nF | 1µF | | | | ≤ 3.5% |
| | 56nF to 100nF | | | 680nF to 1µF | 2.2µF | | | ≤ 5% |
| | | 330nF to 470nF | 2.2µF | 4.7µF to 10µF | 2.2µF to 10µF | | | ≤ 10% |
| 50V | 100pF to 10nF | 100pF to 39nF | 150pF to 180nF | 220pF to 470nF | 2.2nF to 1µF | 2.2nF to 1µF | | ≤ 2.5% |
| | 12 nF to 47nF | 47nF to 220nF | 220nF to 470nF | 680nF to 1µF | | | | ≤ 3.5% |
| | | | | 680nF | 2.2µF | | | |
| | | | 1µF | | | 2.2µF to 10µF | | ≤ 10% |
| 100V | All | 100pF to 10nF | All | 220pF to 680nF | 2.2nF to 680nF | All | | ≤ 2.5% |
| | | | | 1µF | 1µF | | | ≤ 3.5% |
| | | | 12nF to 100nF | | 2.2µF | 2.2µF | | |
| 250V to 3KV | All | All | All | All | All | All | All | ≤ 2.5% |

I.R. ≥ 10 GΩ or R × C ≥ 500 seconds whichever is less

R × C ≥ 100 seconds :

X7R/0805/2.2µF/25V;

X7R/0805/4.7µF/16V;

X7R/1206/4.7µF to 10µF/16V to 25V ;

X7R/1210/2.2µF to 10µF/16V to 50V, X7R/1210/2.2µF/100V ;

Insulation resistance after 1 minute at U_r (DC)

Maximum capacitance change as a function of temperature

NPO: ±30ppm

(temperature characteristic/coefficient):

X7R: ±15%

Operating temperature range:

-55 °C to +125 °C

Table 12

SOLDERING RECOMMENDATION

| SOLDERING METHOD | SIZE | | | | |
|------------------|-------------|----------|----------|----------|-------------|
| | 0402 | 0603 | 0805 | 1206 | ≥ 1210 |
| Reflow | Reflow only | > 1.0 µF | > 2.2 µF | > 2.2 µF | Reflow only |
| Reflow/Wave | | ≤ 1.0 µF | ≤ 2.2 µF | ≤ 2.2 µF | --- |

TESTS AND REQUIREMENTS

Table 13 Test procedures and requirements

| TEST | TEST METHOD | PROCEDURE | REQUIREMENTS |
|---------------------------------------|-----------------|---|----------------------------------|
| Mounting | IEC 60384-21/22 | 4.3 The capacitors may be mounted on printed-circuit boards or ceramic substrates | No visible damage |
| Visual Inspection and Dimension Check | | 4.4 Any applicable method using × 10 magnification | In accordance with specification |
| Capacitance | | 4.5.1 Class I: f = 1 MHz for C ≤ 1 nF, measuring at voltage 1 Vrms at 20 °C f = 1 KHz for C > 1 nF, measuring at voltage 1 Vrms at 20 °C Class II: At 20 °C, 24 hrs after annealing f = 1 KHz for C ≤ 10 μF, measuring at voltage 1 Vrms at 20 °C f = 120Hz for C > 10 μF, measuring at voltage 0.5 Vrms at 20 °C | Within specified tolerance |
| Dissipation Factor (D.F.) | | 4.5.2 Class I: f = 1 MHz for C ≤ 1 nF, measuring at voltage 1 Vrms at 20 °C f = 1 KHz for C > 1 nF, measuring at voltage 1 Vrms at 20 °C Class II: At 20 °C, 24 hrs after annealing f = 1 KHz for C ≤ 10 μF, measuring at voltage 1 Vrms at 20 °C f = 120Hz for C > 10 μF, measuring at voltage 0.5 Vrms at 20 °C | In accordance with specification |
| Insulation Resistance | | 4.5.3 U _r ≤ 500 V: At U _r for 1 minute U _r > 500 V: At 500 V for 1 minute | In accordance with specification |

| TEST | TEST METHOD | PROCEDURE | REQUIREMENTS | | | | | | | | | | | | |
|----------------------------|-----------------------|--|--------------|-----------------|---|------|---|-----------------------|---|------|---|-----------------------|---|------|---|
| Temperature Characteristic | IEC 60384- 21/22 4.6 | <p>Capacitance shall be measured by the steps shown in the following table.</p> <p>The capacitance change should be measured after 5 min at each specified temperature stage.</p> <table border="1"> <thead> <tr> <th>Step</th> <th>Temperature(°C)</th> </tr> </thead> <tbody> <tr> <td>a</td> <td>25±2</td> </tr> <tr> <td>b</td> <td>Lower temperature±3°C</td> </tr> <tr> <td>c</td> <td>25±2</td> </tr> <tr> <td>d</td> <td>Upper Temperature±2°C</td> </tr> <tr> <td>e</td> <td>25±2</td> </tr> </tbody> </table> <p>(1) Class I</p> <p>Temperature Coefficient shall be calculated from the formula as below</p> $\text{Temp. Coefficient} = \frac{C2-C1}{C1 \times \Delta T} \times 10^6 \text{ [ppm/°C]}$ <p>C1: Capacitance at step c C2: Capacitance at 125°C ΔT: 100°C (=125°C-25°C)</p> <p>(2) Class II</p> <p>Capacitance Change shall be calculated from the formula as below</p> $\Delta C = \frac{C2-C1}{C1} \times 100\%$ <p>C1: Capacitance at step c C2: Capacitance at step b or d</p> | Step | Temperature(°C) | a | 25±2 | b | Lower temperature±3°C | c | 25±2 | d | Upper Temperature±2°C | e | 25±2 | <p>Class I: Δ C/C: ±30ppm</p> <p>Class II: X7R: Δ C/C: ±15%</p> |
| Step | Temperature(°C) | | | | | | | | | | | | | | |
| a | 25±2 | | | | | | | | | | | | | | |
| b | Lower temperature±3°C | | | | | | | | | | | | | | |
| c | 25±2 | | | | | | | | | | | | | | |
| d | Upper Temperature±2°C | | | | | | | | | | | | | | |
| e | 25±2 | | | | | | | | | | | | | | |

| TEST | TEST METHOD | PROCEDURE | REQUIREMENTS |
|------------------------------|----------------------|--|---|
| Adhesion | 4.7 | A force applied for 10 seconds to the line joining the terminations and in a plane parallel to the substrate | Force size ≥ 0603: 5N size = 0402: 2.5N size = 0201: 1N |
| Bending Strength | 4.8 | Mounting in accordance with IEC 60384-22 paragraph 4.3 Conditions: bending at a rate of 1 mm/s, radius jig 5 mm NPO: 5 mm X7R/0402 to 0603: 5 mm X7R/0805 to 1812: 3 mm | No visible damage ΔC/C Class I: NPO: within ±1% or 0.5 pF, whichever is greater Class II: X7R: ±10% |
| Resistance to Soldering Heat | 4.9 | Precondition: 150 +0/-10 °C for 1 hour, then keep for 24 ±1 hours at room temperature Preheating: for size ≤ 1206: 120 °C to 150 °C for 1 minute Preheating: for size > 1206: 100 °C to 120 °C for 1 minute and 170 °C to 200 °C for 1 minute Solder bath temperature: 260 ±5 °C Dipping time: 10 ±0.5 seconds Recovery time: 24 ±2 hours | Dissolution of the end face plating shall not exceed 25% of the length of the edge concerned ΔC/C Class I: NPO: within ±0.5% or 0.5 pF, whichever is greater Class II: X7R: ±10% D.F. within initial specified value I.R. within initial specified value |
| Solderability | IEC 60384-21/22 4.10 | Preheated the temperature of 80 °C to 140 °C and maintained for 30 seconds to 60 seconds. Test conditions for lead containing solder alloy Temperature: 235 ±5 °C Dipping time: 2 ±0.2 seconds Depth of immersion: 10 mm Alloy Composition: 60/40 Sn/Pb Number of immersions: 1 Test conditions for leadfree containing solder alloy Temperature: 245 ±5 °C Dipping time: 3 ±0.3 seconds Depth of immersion: 10 mm Alloy Composition: SAC305 Number of immersions: 1 | The solder should cover over 95% of the critical area of each termination |

| TEST | TEST METHOD | PROCEDURE | REQUIREMENTS |
|-----------------------------|----------------------|---|--|
| Rapid Change of Temperature | 4.11 | <p>Preconditioning: 150 +0/-10 °C for 1 hour, then keep for 24 ±1 hours at room temperature</p> <p>5 cycles with following detail: 30 minutes at lower category temperature 30 minutes at upper category temperature</p> <p>Recovery time 24 ±2 hours</p> | <p>No visual damage</p> <hr/> <p>$\Delta C/C$ Class I: NPO: within ±1% or 1 pF, whichever is greater Class II: X7R: ±15%</p> <hr/> <p>D.F. meet initial specified value I.R. meet initial specified value</p> |
| Damp Heat with U_r Load | IEC 60384-21/22 4.13 | <p>1. Preconditioning, class II only: 150 +0/-10 °C /1 hour, then keep for 24 ±1 hour at room temp</p> <p>2. Initial measure: Spec: refer initial spec C, D, I.R.</p> <p>3. Damp heat test: 500 ±12 hours at 40 ±2 °C; 90 to 95% R.H. 1.0 U_r applied</p> <p>4. Recovery: Class 2: 24 ±2 hours</p> <p>5. Final measure: C, D, I.R.</p> <p>P.S. If the capacitance value is less than the minimum value permitted, then after the other measurements have been made the capacitor shall be precondition according to "IEC 60384 4.1" and then the requirement shall be met.</p> | <p>No visual damage after recovery</p> <hr/> <p>$\Delta C/C$ Class I: NPO: within ±2% or 1 pF, whichever is greater Class II: X7R: ±15%</p> <hr/> <p>D.F. Class I: NPO: ≤ 2 × specified value Class II: X7R: ≤ 2 × specified value</p> <hr/> <p>I.R. Class I: NPO: ≥ 2,500 MΩ or $R \times C \geq 25\Omega.F$ whichever is less Class II: X7R: ≥ 500 MΩ or $R \times C \geq 25\Omega.F$ whichever is less</p> |
| | | <p>X7R/0805/4.7μF/16V ; X7R/1206/10μF/16V to 25V ; X7R/1210/2.2μF to 10μF/16V to 50V, X7R/1210/2.2μF/100V ;</p> | <p>$\Delta C/C$ ±20% D.F. ≤ 2 × specified value I.R. $R \times C \geq 5 \Omega.F$</p> |

| TEST | TEST METHOD | PROCEDURE | REQUIREMENTS | | | | | | | | | | | | | |
|---------------|-----------------|--|--|---------|-----|-----|--------|----------|----------|----------|----------|----------|----------|----------|----------|-------|
| Endurance | IEC 60384-21/22 | 4.14 1. Preconditioning, class II only: 150 +0/-10 °C /1 hour, then keep for 24 ±1 hour at room temp 2. Initial measure: Spec: refer initial spec C, D, I.R. 3. Endurance test: Temperature: NPO/X7R: 125 °C Specified stress voltage applied for 1,000 hours: 4. High voltage series follows with below stress condition: | No visual damage | | | | | | | | | | | | | |
| | | | <table border="1"> <thead> <tr> <th>Voltage</th> <th>NPO</th> <th>X7R</th> </tr> </thead> <tbody> <tr> <td>≤ 100V</td> <td>2.0 × Ur</td> <td>2.0 × Ur</td> </tr> <tr> <td>200/250V</td> <td>1.5 × Ur</td> <td>1.5 × Ur</td> </tr> <tr> <td>500/630V</td> <td>1.3 × Ur</td> <td>1.2 × Ur</td> </tr> <tr> <td>≥ 1KV</td> <td>1.2 × Ur</td> <td>1.1 × Ur</td> </tr> </tbody> </table> | Voltage | NPO | X7R | ≤ 100V | 2.0 × Ur | 2.0 × Ur | 200/250V | 1.5 × Ur | 1.5 × Ur | 500/630V | 1.3 × Ur | 1.2 × Ur | ≥ 1KV |
| Voltage | NPO | X7R | | | | | | | | | | | | | | |
| ≤ 100V | 2.0 × Ur | 2.0 × Ur | | | | | | | | | | | | | | |
| 200/250V | 1.5 × Ur | 1.5 × Ur | | | | | | | | | | | | | | |
| 500/630V | 1.3 × Ur | 1.2 × Ur | | | | | | | | | | | | | | |
| ≥ 1KV | 1.2 × Ur | 1.1 × Ur | | | | | | | | | | | | | | |
| | | 5. Recovery time: 24 ±2 hours 6. Final measure: C, D, I.R. P.S. If the capacitance value is less than the minimum value permitted, then after the other measurements have been made the capacitor shall be precondition according to "IEC 60384 4.1" and then the requirement shall be met. | D.F. Class I: NPO: ≤ 2 × specified value Class II: X7R: ≤ 2 × specified value | | | | | | | | | | | | | |
| | | * Apply 1.5 × Ur for below items X7R/0805/4.7μF/16V ; X7R/1206/10μF/16V to 25V ; X7R/1210/2.2μF to 10μF/16V to 50V, X7R/1210/2.2μF/100V ; | I.R. Class I: NPO: ≥ 4,000 MΩ or R × C ≥ 40Ω.F whichever is less Class II: X7R: ≥ 1,000 MΩ or R × C ≥ 50Ω.F whichever is less | | | | | | | | | | | | | |
| Voltage Proof | IEC 60384-1 | 4.6 Specified stress voltage applied for 1~5 seconds Ur ≤ 100 V: series applied 2.5 Ur 100 V < Ur ≤ 200 V series applied (1.5 Ur + 100) 200 V < Ur ≤ 500 V series applied (1.3 Ur + 100) Ur > 500 V: 1.3 Ur Ur ≥ 1000 V: 1.2 Ur Charge/Discharge current is less than 50 mA | No breakdown or flashover | | | | | | | | | | | | | |

REVISION HISTORY

| REVISION | DATE | CHANGE NOTIFICATION | DESCRIPTION |
|-----------|---------------|---------------------|---|
| Version 5 | May 23, 2019 | - | - Product range changed |
| Version 4 | Jun.19, 2017 | - | - Product range updated |
| Version 3 | Jan. 26, 2017 | - | - Global part number coding rule update |
| Version 2 | Dec. 30, 2016 | - | - Dimension updated |
| Version 1 | Dec. 16, 2016 | - | - Product range updated |
| Version 0 | May 20, 2016 | - | - New datasheet for soft termination NPO & X7R series with RoHS compliant |