



Atmel AT86RF215 Device Family

**Sub-1GHz/2.4GHz Transceiver and I/Q Radio for
IEEE Std 802.15.4™-2015
IEEE Std 802.15.4g™-2012
ETSI TS 102 887-1**

AT86RF215 / AT86RF215IQ / AT86RF215M

DATASHEET

Features AT86RF215

- Fully integrated radio transceiver covering 389.5-510MHz / 779-1020MHz / 2400-2483.5MHz including:
 - European band: 863-870MHz / 870-876MHz / 915-921MHz
 - Chinese band: 470-510MHz / 779-787MHz
 - North American band: 902-928MHz
 - Korean band: 917-923.5MHz
 - Japanese band: 920-928MHz
 - World-wide ISM band: 2400-2483.5MHz
- I/Q data interface:
 - One TX and two RX serial low voltage differential signal (LVDS) interfaces
 - 13-bit I/Q data interface with a sampling frequency of up to 4MHz
- Transceiver Control interface: SPI (serial peripheral interface)
- Supported PHYs (*proprietary)
 - MR-FSK
 - Symbol rates: 50, 100, 150, 200, 300*, 400ksymbol/s
 - Rate 1/2-FEC: RSC and NRNSC, with and without interleaving
 - Order: 2-level, 4-level
 - MR-OFDM
 - Option 1: 100, 200, 400, 800, 1200*, 1600*, 2400*kb/s
 - Option 2: 50, 100, 200, 400, 600, 800, 1200*kb/s
 - Option 3: 50, 100, 200, 300, 400, 600kb/s
 - Option 4: 50, 100, 150, 200, 300kb/s
 - MR-O-QPSK
 - 100kchip/s with 6.25, 12.5, 25, 50kb/s data rate
 - 200kchip/s with 12.5, 25*, 50*, 100*kb/s data rate
 - 1000kchip/s with 31.25, 125, 250, 500kb/s data rate
 - 2000kchip/s with 31.25, 125, 250, 500, 1000*kb/s data rate
 - O-QPSK
 - 1000kchip/s with 250kb/s and 500*kb/s data rate
 - 2000kchip/s with 250kb/s and 1000*kb/s data rate
- Bi-directional differential RF signal ports for:
 - Band I: 433/470/780/863/868/915/917/920MHz
 - Band II: 2450MHz

- Simultaneous operation of sub-1GHz and 2.4GHz transceiver
- Separate 2kbytes RX and TX frame buffer
- IEEE MAC support
 - Frame filter (IEEE Std 802.15.4-2006)
 - FCS handling
 - Automatic acknowledgement (IEEE Std 802.15.4-2006)
 - CCA with automatic transmit
- Industry leading link budget
 - Programmable TX output power up to +14.5dBm@900MHz band
 - Noise figure below 5dB for sub-1GHz and 2.4GHz transceiver
 - Receiver sensitivity down to -123dBm at 6.25kb/s MR-O-QPSK
- Radio transceiver features
 - Integrated TX/RX switch, LNA, PLL loop filter and RF frontend control
 - Fast settling PLL supporting frequency hopping
 - Automatic filter calibration
- Received signal strength indicator / energy detection
- True random number generator
- Optimized for low BOM cost and ease of production
- Low power supply voltage from 1.8V to 3.6V
- Internal voltage regulators and battery monitor
- Reduced power consumption (RPC) modes for MR-FSK and MR-OQPSK
- Low current consumption (incl. baseband processing / without I/Q interface)
 - Deep sleep 30nA
 - RX listen 6..28mA (RPC mode dependent)
 - RX active 28mA
 - TX 62mA @14dBm output power
- Industrial temperature range from -40°C to +85°C
- 48-pin low-profile lead-free plastic QFN package

1. Description

The AT86RF215 is a multi-band radio transceiver for various sub-1GHz bands and the 2.4GHz band specially designed for smart metering and applications implementing IEEE Std 802.15.4g™-2012 [3], ETSI TS 102 887-1 [5], IEEE Std 802.15.4™-2015 [7].

The device is comprised of two independent transceivers, each with its own baseband and I/Q data interface. The AT86RF215 incorporates two transceivers and two baseband cores forming two independent radio systems. The transceivers are highly integrated minimizing the number of external components required on the printed circuit board (PCB). The supply voltage ranges from 1.8V to 3.6V. A 26MHz temperature controlled oscillator (TCXO) or a crystal oscillator (XTAL) is used as a reference clock.

The AT86RF215 allows simultaneous independent reception in the sub-1GHz and 2.4GHz bands. Each radio frequency (RF) port is accessed with balanced differential signal pairs. Optimal sensitivity and output power are achieved with 50Ω differential load. The device offers a high link budget with maximum TX output power of 14.5dBm@900MHz and sensitivity down to -123dBm@MR-OQPSK-6.25kb/s.

The device is controlled via a fast serial peripheral interface (SPI). Dedicated MAC hardware, random number generator and on-board battery monitoring improve overall system efficiency and timing.

The AT86RF215 can be operated with an external microcontroller (e.g. Atmel SAM4 Family) and/or an external baseband processor.

1.1 Device Family

1.1.1 Overview

Table 1-1. Device Family Overview

Device	Description
AT86RF215	<ul style="list-style-type: none">Dual band transceiver and I/Q radioEmbedded baseband supporting MR-FSK, MR-OFDM, MR-O-QPSK, and O-QPSKCompliant to IEEE Std 802.15.4g™-2012 [3]; IEEE Std 802.15.4™-2011 [2]; ETSI TS 102 887-1 [5], IEEE Std 802.15.4™-2015 [7]
AT86RF215IQ	<ul style="list-style-type: none">I/Q radio (13-bit I/Q low voltage differential signal (LVDS) interface)
AT86RF215M	<ul style="list-style-type: none">Sub-1GHz Transceiver and I/Q radioEmbedded baseband supporting MR-FSK, MR-OFDM, MR-O-QPSK, and O-QPSKCompliant to IEEE Std 802.15.4g™-2012 [3]; ETSI TS 102 887-1 [5]

Note: For operation of the AT86RF215M see "[Basic Operation of AT86RF215M](#)" on page 42.

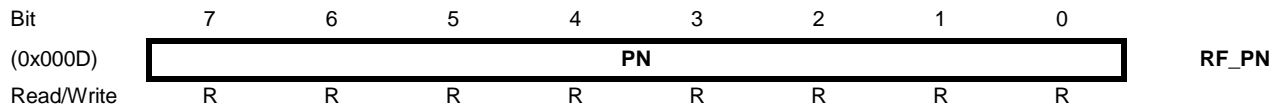
1.1.2 Device Identification

The device identifier can be read from the register [RF_PN](#). The version number of the device can be read from the register [RF_VN](#).

1.1.3 Register Description

1.1.3.1 RF_PN – Device Part Number

The register contains the part number of the device.



- **Bit 7:0 – RF_PN.PN: Device Part Number**

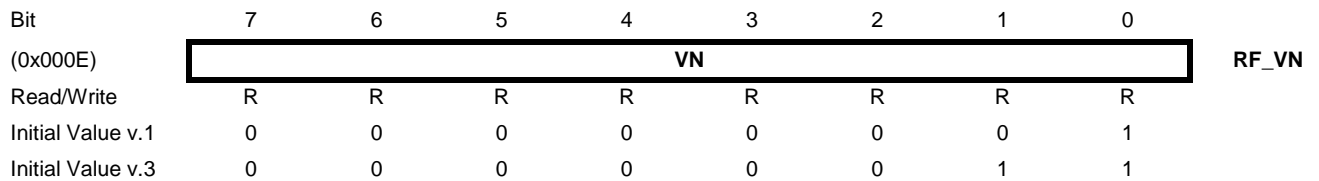
The register contains the part number of the device.

Table 1-2. PN

Sub-register	Value	Description
PN	0x34	AT86RF215
	0x35	AT86RF215IQ
	0x36	AT86RF215M

1.1.3.2 RF_VN – Device Version Number

The register contains the version number of the device.

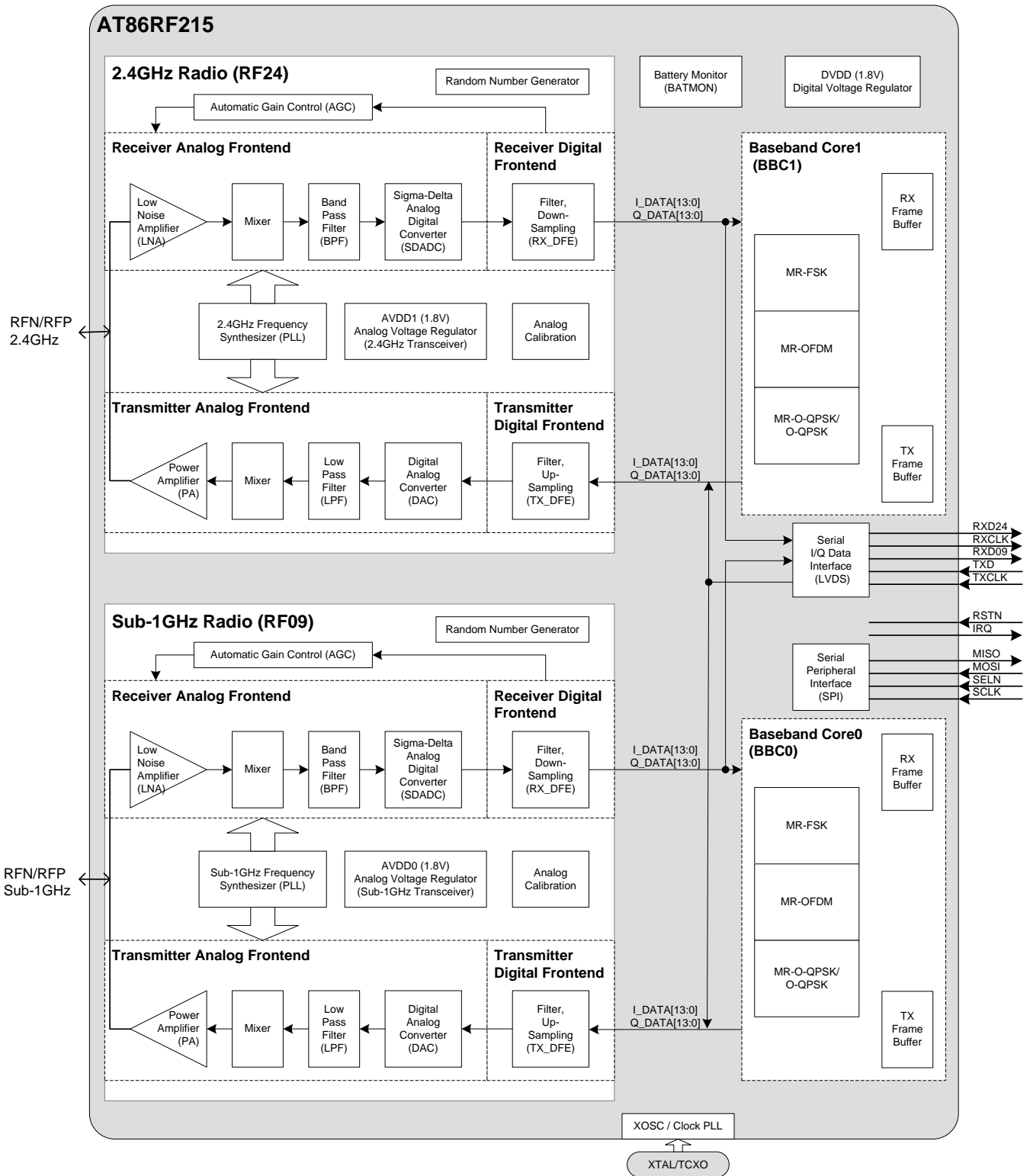


1.2 Block Diagram

The device features two independent radio systems. It contains one sub-1GHz transceiver and one 2.4GHz transceiver. Each transceiver is paired with a baseband core optimized to demodulate signals commonly used in the associated band, thus providing complete RF-to-Baseband operation. The internal baseband cores support MR-FSK, O-QPSK/MR-O-QPSK and MR-OFDM modulation schemes. Alternatively users can route the I/Q data stream directly to an external processor for advanced signal processing using the 13-bit LVDS interface.

The AT86RF215 block diagram is shown in Figure 1-1.

Figure 1-1. AT86RF215 Block Diagram



- Notes:
1. Baseband Core0/1 are not available at AT86RF215IQ
 2. 2.4GHz Radio (RF24) and Baseband Core1 (BBC1) are not available at AT86RF215M

1.3 Control Logic and Naming Conventions

Both radio and baseband cores have separate register blocks. The sub-1GHz radio register names are prefixed by “RF09_”. The 2.4GHz radio transceiver register names are prefixed by “RF24_”. The register descriptions, including sub-register descriptions, for both radios and their respective basebands are identical. In rare cases where a register is only valid for one specific radio (or baseband), the register for the other radio (or baseband) is ignored.

The baseband processor Core0 is connected to the sub-1GHz radio and Core1 is connected to the 2.4GHz radio.

The baseband registers of Core0 are prefixed by “BBC0_”. The baseband register of Core1 are prefixed by “BBC1_”. The general reference for both core registers is prefixed by “BBCn_”. Both cores are identical and have separate register spaces.

Common registers of the AT86RF215 which are not specific for the radio or baseband are prefixed by “RF_”.

Note, the datasheet refers to the naming convention of IEEE Std 802.15.4g™-2012 [3] in regards to multi rate and multi regional frequency (MR) PHYs. The IEEE Std 802.15.4™-2015 [7] names the PHYs SUN, i.e. smart metering utility network.

2. Pin-out Diagram and Description

2.1 Pin-out Diagram

The pin-out of the AT86RF215 is shown in Figure 2-1.

Figure 2-1. Pin-out

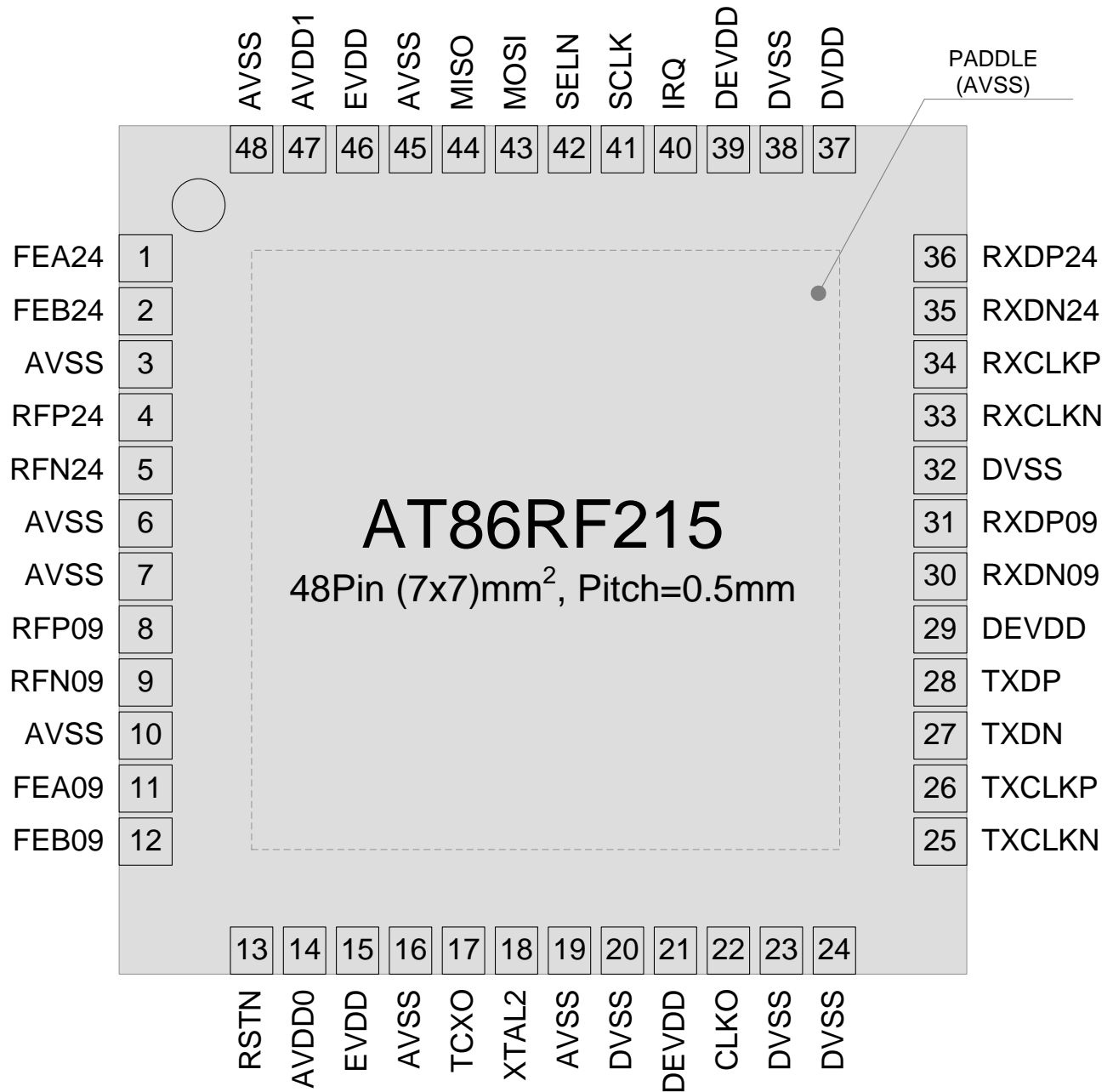


Table 2-1. Pin Description

# Pin	Name	Type	Description
1	FEA24	Output	RF frontend control; digital output for the 2.4GHz transceiver
2	FEB24	Output	RF frontend control; digital output for the 2.4GHz transceiver
3	AVSS	In/Out	Analog ground (RF)
4	RFP24	In/Out	Differential RF input/output 2.4GHz (positive)
5	RFN24	In/Out	Differential RF input/output 2.4GHz (negative)
6	AVSS	In/Out	Analog ground (RF)
7	AVSS	In/Out	Analog ground (RF)
8	RFP09	In/Out	Differential RF input/output for sub-1GHz transceiver (positive)
9	RFN09	In/Out	Differential RF input/output for sub-1GHz transceiver (negative)
10	AVSS	In/Out	Analog ground (RF)
11	FEA09	Output	RF frontend control; digital output for the sub-1GHz transceiver
12	FEB09	Output	RF frontend control; digital output for the sub-1GHz transceiver
13	RSTN	Input	Reset input (active low)
14	AVDD0	In/Out	Internal regulated analog 1.8V supply output voltage (internally generated) for analog circuitry of the sub-1GHz transceiver
15	EVDD	Input	External analog supply voltage (V_{DD}); 3.0V typical
16	AVSS	In/out	Analog ground
17	TCXO	Input	TCXO or crystal oscillator (26MHz) input
18	XTAL2	Output	Crystal oscillator
19	AVSS	In/Out	Analog ground
20	DVSS	In/Out	Digital ground
21	DEVDD	Input	External digital supply voltage (V_{DD}); 3.0V typical
22	CLKO	Output	Clock output
23	DVSS	In/Out	Digital ground
24	DVSS	In/Out	Digital ground
25	TXCLKN	Input	Differential TX I/Q clock interface input (negative)
26	TXCLKP	Input	Differential TX I/Q clock interface input (positive)
27	TXDN	Input	Differential TX I/Q data interface input (negative)
28	TXDP	Input	Differential TX I/Q data interface input (positive)
29	DEVDD	Input	External digital supply voltage (V_{DD}); 3.0V typical
30	RXDN09	Output	Differential RX I/Q data interface output sub-1GHz transceiver (negative)
31	RXDP09	Output	Differential RX I/Q data interface output sub-1GHz transceiver (positive)
32	DVSS	In/Out	Digital ground
33	RXCLKN	Output	Differential RX I/Q clock interface output (negative)
34	RXCLKP	Output	Differential RX I/Q clock interface output (positive)
35	RXDN24	Output	Differential RX I/Q data interface output 2.4GHz transceiver (negative)
36	RXDP24	Output	Differential RX I/Q data interface output 2.4GHz transceiver (positive)
37	DVDD	In/Out	Internal regulated supply output voltage (internally generated) for digital circuitry
38	DVSS	In/Out	Digital ground

# Pin	Name	Type	Description
39	DEVDD	Output	External digital supply voltage (V_{DD}); 3.0V typical
40	IRQ	Output	Interrupt output
41	SCLK	Input	SPI interface clock input
42	SELN	Input	SPI select input (active low)
43	MOSI	Input	SPI data input
44	MISO	Output	SPI data output
45	AVSS	In/Out	Analog ground
46	EVDD	Input	External analog supply voltage (V_{DD}); 3.0V typical
47	AVDD1	In/Out	Internal regulated analog 1.8V supply output voltage (internally generated) for analog circuitry for the 2.4GHz transceiver
48	AVSS	In/Out	Analog ground

2.2 Pin Description

2.2.1 RFP09/RFN09, RFP24/RFN24

The differential RF pins (RFP09/RFN09; RFP24/RFN24) provide common-mode rejection to suppress the switching noise of the internal and external digital signal processing blocks.

A 50Ω differential load at the RF ports ensures high sensitivity and output power. A DC path between the RF pins is supported; a DC path to ground or supply voltage is not supported. When connecting an RF load providing a DC path to the power supply or ground, AC coupling is required.

The pins RFP24/RFN24 of AT86RF215M are shortened to AVSS internally and may not be connected.

2.2.2 EVDD, DEVDD (V_{DD})

EVDD is the external analog supply voltage. DEVDD is the external digital supply voltage. External decoupling capacitors must be placed close to these device pins. EVDD and DEVDD must be shorted at board level and should always have the same potential.

2.2.3 AVDD0, AVDD1

AVDD0 and AVDD1 are internally generated/regulated analog supply voltages. External compensation capacitors must be placed close to these device pins. These supplies are activated, and de-activated, by the sleep-mode logic. Do not use these signals as references or power supplies. AVDD0 and AVDD1 must not be shorted. For further information about the analog supply voltages are described in section "[Voltage Regulator](#)" on page 75.

An external compensation capacitor at the pin AVDD1 is not required for AT86RF215M, the pin can have no connections.

2.2.4 DVDD

DVDD is an internally generated/regulated digital supply voltage. An external compensation capacitor must be placed close to this device pin. For further information about the digital supply voltage are described in section "[Voltage Regulator](#)" on page 75.

2.2.5 AVSS, DVSS

AVSS is the analog ground; DVSS is the digital ground voltage. The analog and the digital grounds should be separated on the PCB and only connected at a single point on the PCB.

2.2.6 MISO, MOSI, SCLK, SELN

Pins MISO, MOSI, SCLK and SELN are SPI specific pins which provide register read/write access for device operation. For further information about the control interface see section ["SPI Transceiver Control Interface" on page 16](#).

2.2.7 RXDN09/RXDP09, RXDN24/RXDP24, RXCLKP/RXCLKN, TXDP/TXDN, TXCLKP/TXCLKN

Pins RXDN09/RXDP09, RXDN24/RXDP24, RXCLKP/RXCLKN, TXDP/TXDN and TXCLKP/TXCLKN are low voltage differential signal (LVDS) I/Q data interface pins. For further information see section ["Serial I/Q Data Interface" on page 22](#).

The pins RXDN24/RXDP24 are not supported for AT86RF215M, the pins shall have no connections.

2.2.8 IRQ

Pin IRQ is the interrupt pin from the transceiver to the microcontroller and is controlled by both radios and basebands. The interrupt source can be detected by reading the interrupt status registers using the device control interface (SPI). For further information about IRQ configuration see section ["Interrupt Signalling" on page 19](#).

2.2.9 RSTN

Pin RSTN is the active low reset pin. For further information see section ["Reset Modes " on page 13](#).

2.2.10 FEA09/FEB09, FEA24/FEB24

The digital output pins FEAnn and FEBnn can control an external RF analog frontend device, in general external LNA, PA. For each transceiver band two frontend control pins are specified. The pins are not differential. For further information see section ["External Frontend Control" on page 70](#).

The pins FEA24/FEB24 are not supported for AT86RF215M, the pins shall have no connections.

2.2.11 TCXO/XTAL2

Pin TCXO (Temperature Controlled Crystal Oscillator) is the input pin of a 26MHz clock from a TCXO device. Pin XTAL2 must be grounded if operating the device with a TCXO.

Alternatively, the device can be operated with a 26MHz Crystal (XTAL) which must be connected between pin TCXO and pin XTAL2. For further information see section ["Crystal Oscillator and TCXO" on page 67](#).

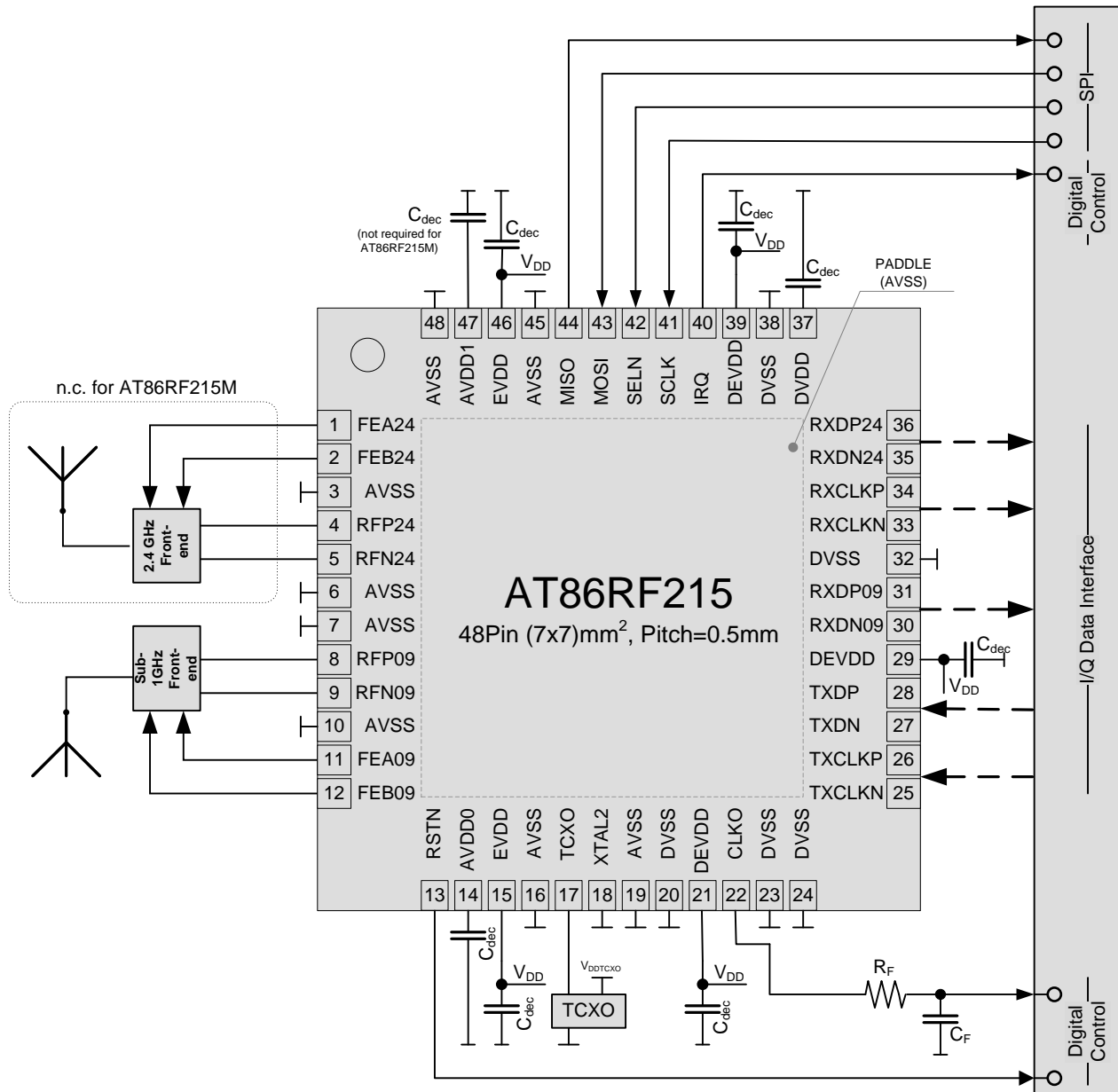
2.2.12 CLKO

Pin CLKO provides a clock output signal. An external microcontroller can use this clock signal as an input clock source. For further information about the clock output configuration see ["Clock Output" on page 20](#).

3. Application Schematic

A basic application schematic of the AT86RF215 is shown in Figure 3-1. The RF ports require a 50Ω differential load for best RF performance. The transceiver is operated with a 26MHz TCXO.

Figure 3-1. Basic Application Schematic



The external analog power supply EVDD, the external digital power supply DEVDD and the integrated voltage regulators outputs AVDD0, DVDD and AVDD1 must be decoupled by a capacitor (C_{dec}). All decoupling capacitors should be placed as close as possible to the pins and should have low-resistance and low-inductance connection to ground. EVDD and DEVDD must be shorted at PCB level and should always have the same potential (V_{DD}).

A low-pass filter (C_F , R_F) should be placed close to pin CLKO to reduce the emission of CLKO signal harmonics. This is not needed if pin CLKO is not used as a microcontroller clock source. In this case, clock output signal should be disabled during device initialization, see register [RF_CLKO](#).

The pins RFP24/RFN24 of the AT86RF215M are connected to AVSS and must not be connected. The pins RXDP24/RXDN24 are not supported for the AT86RF215M and can be left opened.

4. Control and Data Interfaces

4.1 Reset Modes

4.1.1 Summary Reset Modes

The AT86RF215 can be reset by the following conditions:

- Power-on reset or voltage drop, see section ["Power-on Reset" below](#)
- Chip Reset command, see section ["Chip Reset" on page 14](#)
- Chip Reset via pulse at pin RSTN, see section ["Chip Reset" on page 14](#)
- Transceiver Reset, see section ["Transceiver Reset" on page 14](#)
- State SLEEP, see section ["State SLEEP" on page 34](#)
- State DEEP_SLEEP, see section ["State DEEP_SLEEP and Wake-up Procedure" on page 34](#)

The AT86RF215 registers can be classified into register groups for common chip functionality, for the I/Q data interface, for the sub-1GHz transceiver and for the 2.4GHz transceiver. [Table 4-1](#) shows which register groups are reset by which reset source.

Table 4-1. AT86RF215 Reset Modes

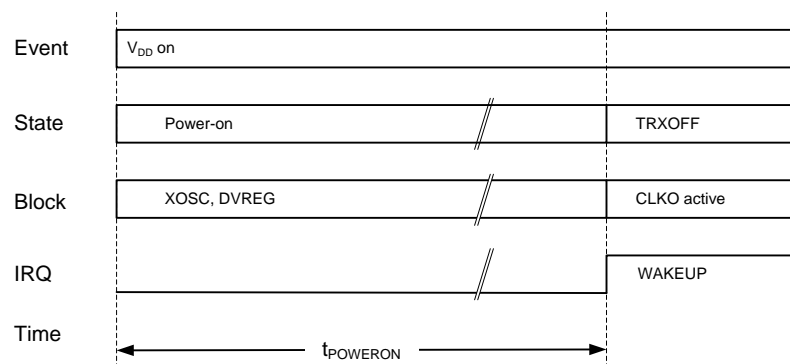
Reset Source	Common Chip Register	I/Q Data Interface Register	Sub-1GHz Transceiver Register	2.4GHz Transceiver Register
	RF_CFG, RF_XOC, RF_CLKO and RF_BMDVC	RF_IQIFC0 and RF_IQIFC1	RF09_* and BBC0_*	RF24_* and BBC1_*
Power-On Reset	reset	reset	reset	reset
Chip Reset	reset	reset	reset	reset
Sub-1GHz Transceiver Reset			reset	
2.4GHz Transceiver Reset				reset
Sub-1GHz Transceiver SLEEP			reset	
2.4GHz Transceiver SLEEP				reset
DEEP_SLEEP		reset	reset	reset

4.1.2 Power-on Reset

A power-on reset is initiated if the supply voltage drops below the operating range of the voltage regulator (see section ["Voltage Regulator" on page 75](#)) and returns back to the supported range again. For further information about the operation range see section ["Operating Range" on page 187](#).

The power-on procedure is shown in [Figure 4-1](#).

Figure 4-1. Power-on Procedure



When the external supply voltage (V_{DD}) is initially supplied to the AT86RF215, the device enables the crystal oscillator (XOSC) and the internal 1.8V voltage regulator for the digital domain (DVREG). After $t_{POWERON}$ the output clock signal is available at pin CLKO at default clock rate of 26MHz. During the power-on procedure, all registers are set to their default values. As soon as the state TRXOFF is reached, the SPI is enabled and it can be used to control the device. At the same time, the interrupt `IRQS.WAKEUP` at both transceivers is set to 1 and the pin IRQ is asserted high.

4.1.3 Chip Reset

The Chip Reset procedure resets the entire device (i.e. both radios, sub-1GHz and 2.4GHz and both baseband cores), all registers are set to their default values.

The Chip Reset is triggered by the pin RSTN or by writing the Chip Reset command. The Chip Reset is triggered by pulling the pin RSTN to low, keeping it low for t_{RST} and to release it to high again; for further timing information see section "[Power-on Reset Characteristics](#)" on page 188. To trigger the Chip Reset via the Chip Reset command, the value 0x07 needs to be written to the sub-register `RF_RST.CMD`.

After initiating the Chip Reset procedure, the device enters the internal state RESET. After the reset procedure is completed, the state RESET is left and the state TRXOFF is reached. The completion of the reset procedure is indicated by the interrupt `IRQS.WAKEUP` for both transceivers.

For further information about state changes see section "[State Machine](#)" on page 33.

4.1.4 Transceiver Reset

While the [Chip Reset](#) procedure resets the entire device (sub-1GHz/BBC0 and 2.4GHz/BBC1), the Transceiver Reset is used to reset only a single transceiver (RF09/BBC0 or RF24/BBC1). The Transceiver Reset is initiated by writing the command RESET to the register `RFn_CMD` of the corresponding transceiver. During the reset procedure the corresponding transceiver state machine is reset and the corresponding transceiver (`RFn_*`) and baseband registers (`BBCn_*`) are set to their default values. The common device registers (`RF_*`) are not reset.

Once the reset procedure is completed, the state TRXOFF is reached and the interrupt `IRQS.WAKEUP` is issued for the corresponding transceiver.

4.1.5 Register Description

4.1.5.1 RF_RST – Chip Reset

The register `RF_RST` allows resetting the entire device via an SPI command.

Bit	7	6	5	4	3	2	1	0	
(0x0005)	-					CMD			RF_RST
Read/Write	R	R	R	R	R	RW	RW	RW	
Initial Value	0	0	0	0	0	0	0	0	

- **Bit 2:0 – RF_RST.CMD: Chip Reset Command**

Writing the value 0x7 to the sub-register CMD triggers the reset procedure of the entire device; the values 0x0 to 0x6 have no effect.

Table 4-2. CMD

Sub-register	Name	Value	Description
CMD	RF_RESET	0x7	CHIP RESET

4.2 SPI Transceiver Control Interface

4.2.1 Introduction

The control interface comprises an SPI slave and provides access to registers and frame buffers of the AT86RF215. Table 4-3 shows the SPI signals.

Table 4-3. SPI Signals

SPI Signal	Direction	Description
SCLK	Input	SPI clock signal
SELN	Input	SPI select signal, active low
MOSI	Input	SPI data master output, slave input signal
MISO	Output	SPI data master input, slave output signal

The SPI is byte-oriented with bi-directional communication between master and slave. Each byte is transferred with the MSB first. The SPI select signal SELN is active low. The number of clocks at SCLK must be a multiple of eight. The AT86RF215 SPI provides register and frame buffer access in a linear address space. The access mode is configured by the address in the COMMAND bytes.

4.2.2 SPI Protocol

Each SPI sequence starts by setting SELN to low and finishes by releasing SELN to high. After setting SELN to low, the two COMMAND bytes are transferred from the SPI master via pin MOSI followed by SPI clock signals to read or to write data. The two COMMAND bytes define the SPI access mode (read or write access) and the 14-bit address (see [Table 4-4](#)).

Table 4-4. SPI COMMAND Definition

Bit[15] MODE[1]	Bit[14] MODE[0]	Bit[13:8] ADDRESS[13:8]	Bit[7:0] ADDRESS[7:0]	SPI Access Mode
COMMAND[15:8]			COMMAND[7:0]	
0	0	ADDRESS[13:8]	ADDRESS[7:0]	Read
1	0	ADDRESS[13:8]	ADDRESS[7:0]	Write
0	1	ADDRESS[13:8]	ADDRESS[7:0]	Reserved
1	1	ADDRESS[13:8]	ADDRESS[7:0]	Reserved

The SPI can be operated in single or block access mode. The single access mode (see section [4.2.4](#)) is used to read or to write a single register value. The block access mode (see section [4.2.4](#)) is used to read or to write a block of data with a variable number of data bytes.

4.2.3 Single Access Mode

The single access mode is a three byte operation. First the two COMMAND bytes are transferred on MOSI. If MODE indicates a write access, then the third byte contains the value that is written to the selected address (see [Figure 4-2](#)). If MODE indicates a read access, then the content of the selected address is returned with the third byte on pin MISO (see [Figure 4-3](#)).

Figure 4-2. SPI Single Write Access

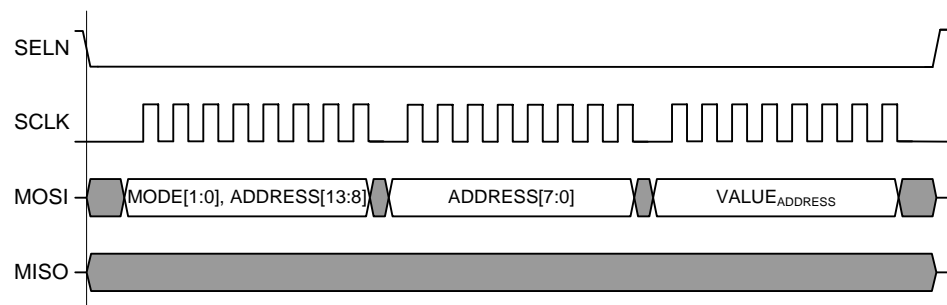
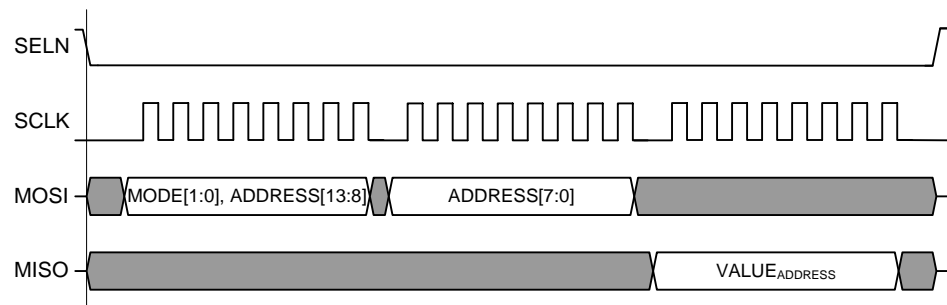


Figure 4-3. SPI Single Read Access



4.2.4 Block Access Mode

The block access mode is entered when SELN remains low after the third byte of the single access mode. During block write access the fourth byte on MOSI is written to the next address (ADDRESS+1) and so on. The same procedure applies to the block read access, where the content of the next address (ADDRESS+1) is returned with the fourth byte on pin MISO. The block mode can access the whole address space (see [Figure 4-4](#) and [Figure 4-5](#)).

Figure 4-4. SPI Block Write Access

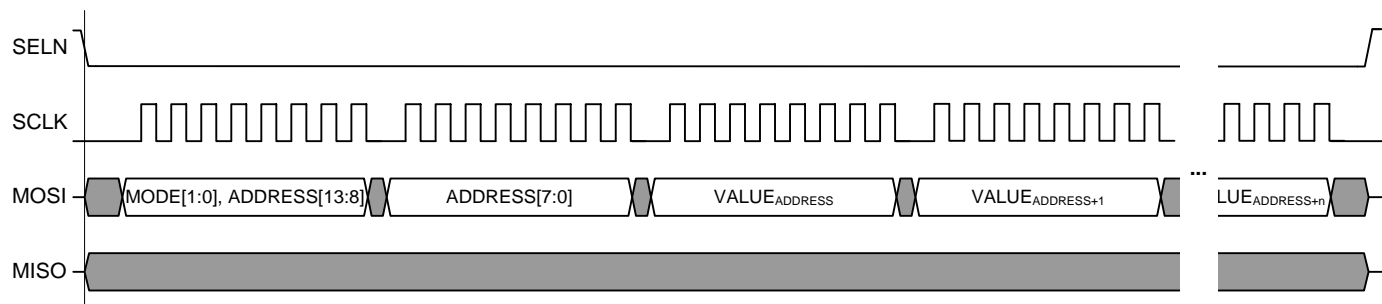
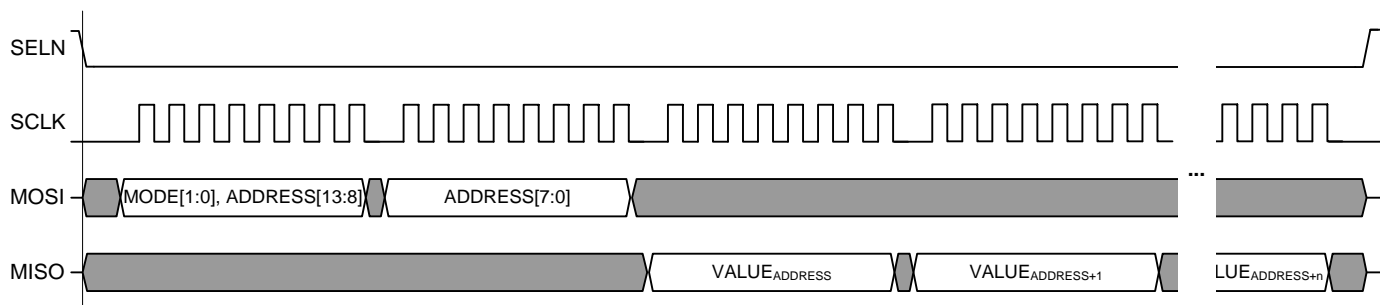


Figure 4-5. SPI Block Read Access



4.2.5 SPI Timing

Figure 4-6 and Figure 4-7 illustrate the SPI timing and its parameters. The corresponding timing parameter values t_{SPI_0} - t_{SPI_9} are defined in section "SPI Timing Characteristics" on page 204.

Figure 4-6. SPI Timing, Definition of Timing Parameters t_{SPI_0} , t_{SPI_5} , t_{SPI_6} , t_{SPI_8} , t_{SPI_9} .

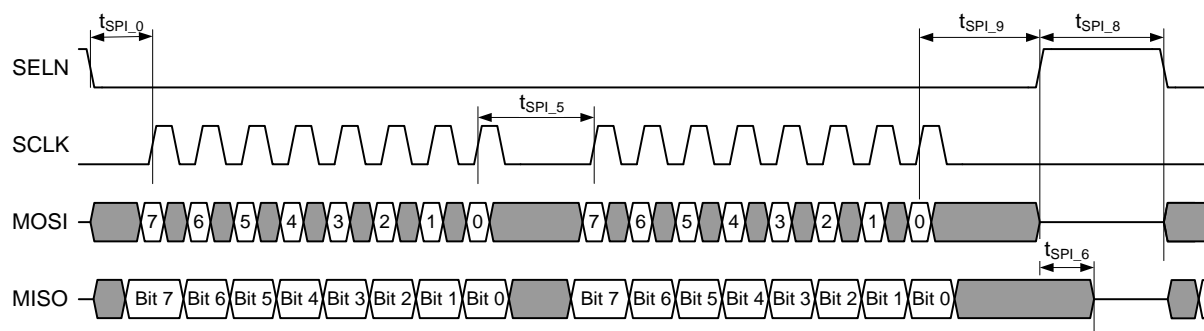
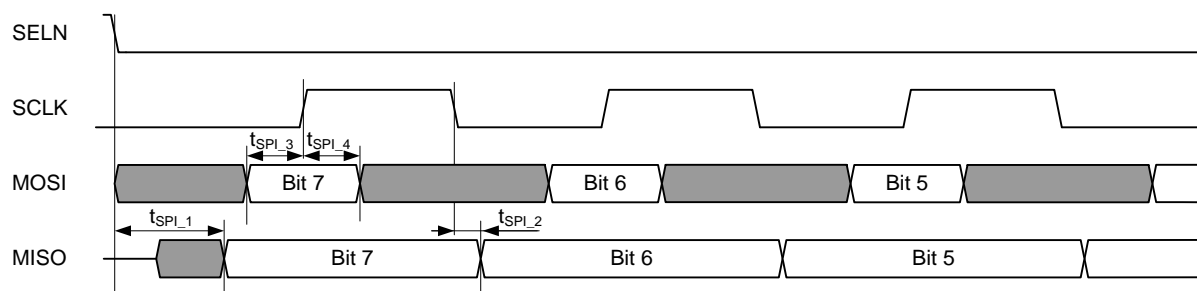


Figure 4-7. SPI Timing, Definition of Timing Parameters t_{SPI_1} to t_{SPI_4} .



SELN low enables the MISO output driver of the AT86RF215. The MSB of values transferred via MISO is valid after t_{SPI_1} and is updated at each falling edge of SCLK. If the MISO driver is disabled (during inactive SPI periods), no internal pull-up circuitry is connected to it. Driving the appropriate signal level must be ensured by the master device or an external pull-up resistor.

Referring to Figure 4-6 and Figure 4-7, the AT86RF215 MOSI is sampled at the rising edge of the SCLK signal. The signal MOSI must be stable before and after the rising edge of SCLK as specified by t_{SPI_3} and t_{SPI_4} . The output (MISO) is initiated at the falling edge of SCLK.

The SPI command is processed at the last rising clock edge of SCLK.

4.3 Interrupt Signalling

The radios and the basebands of the AT86RF215 generate interrupt events. All enabled interrupt events are logically OR'd to form the single external interrupt signal at pin IRQ.

The IRQ behavior and the pad driver strength can be configured by the register `RF_CFG`. The register `RF_CFG` content is maintained during state `DEEP_SLEEP` and is cleared during `RESET`.

The active polarity of pin IRQ can be configured by sub-register `RF_CFG.IRQP`. After a reset procedure the polarity is set to active high.

For further information see section "Interrupts" on page 38.

4.3.1 Register Description

4.3.1.1 RF_CFG – IRQ Configuration

The register `RF_CFG` contains bits to configure the IRQ behavior.

Bit	7	6	5	4	3	2	1	0	
(0x0006)	–	–	–	–	IRQMM	IRQP	DRV		RF_CFG
Read/Write	R	R	R	R	RW	RW	RW	RW	
Initial Value	0	0	0	0	1	0	0	1	

- **Bit 3 – RF_CFG.IRQMM: IRQ Mask Mode**

The bit `IRQMM` configures the IRQ mask mode.

Table 4-5. IRQMM

Sub-register	Value	Description
IRQMM	0x0	Masked IRQ reasons do not appear in IRQS register
	0x1	Masked IRQ reasons do appear in IRQS register

- **Bit 2 – RF_CFG.IRQP: IRQ Polarity**

The bit `IRQP` configures the IRQ pin polarity.

Table 4-6. IRQP

Sub-register	Value	Description
IRQP	0x0	Active high
	0x1	Active low

- **Bit 1:0 – RF_CFG.DRV: Output Driver Strength of Pads**

The bits `DRV` configure the pads driver strength of the pins `IRQ`, `MISO`, and the frontend control (i.e. `FEA09`, `FEB09`, `FEA24`, `FEB24`) pins.

Table 4-7. DRV

Sub-register	Name	Value	Description
DRV	RF_DRV2	0x0	2mA
	RF_DRV4	0x1	4mA
	RF_DRV6	0x2	6mA
	RF_DRV8	0x3	8mA

4.4 Clock Output

The AT86RF215 provides a clock output signal at pin CLKO.

The clock output signal is generated by the oscillator module using the external crystal or TCXO; see section "Crystal Oscillator and TCXO" on page 67 for further information about the oscillator configuration.

After reset or power-on the clock output signal is enabled and set to the default clock rate value of 26MHz. The signal's driver strength and the clock frequency can be configured by register [RF_CLKO](#).

Resetting AT86RF215 via [Chip Reset](#) causes the register [RF_CLKO](#) to be reset to its default value.

In state DEEP_SLEEP the clock output signal is paused. If the device is woken up by writing command TRXOFF to one of the transceiver command registers, the clock output signal continues after $t_{DEEP_SLEEP_TRXOFF}$ with the configuration that has been set before entering state DEEP_SLEEP.

If the clock output signal is not used, it is recommended to switch it off. The output signal can be switched off by the sub-register [RF_CLKO.OS](#).

For electrical parameter of the clock output signal see section "Clock Output – pin CLKO" on page 189 and "General Transceiver Specifications" on page 188.

4.4.1 Register Description

4.4.1.1 RF_CLKO – Clock Output

The register [RF_CLKO](#) contains configuration bits for the clock output signal. The register setting is maintained during state DEEP_SLEEP.

Bit	7	6	5	4	3	2	1	0	
(0x0007)	–	–	–	DRV		OS			RF_CLKO
Read/Write	R	R	R	RW	RW	RW	RW	RW	
Initial Value	0	0	0	0	1	0	0	1	

- **Bit 4:3 – RF_CLKO.DRV: Output Driver Strength CLKO**

The bit DRV configures the CLKO pad driver strength.

Table 4-8. DRV

Sub-register	Name	Value	Description
DRV	RF_DRVCLKO2	0x0	2mA
	RF_DRVCLKO4	0x1	4mA
	RF_DRVCLKO6	0x2	6mA
	RF_DRVCLKO8	0x3	8mA

- **Bit 2:0 – RF_CLKO.OS: Clock Output Selection**

The bit OS configures the clock output frequency of the CLKO output signal. The change of the clock output frequency occurs immediately and spike free.

Table 4-9. OS

Sub-register	Value	Description
OS	0x0	OFF
	<u>0x1</u>	26MHz
	0x2	32MHz
	0x3	16MHz
	0x4	8MHz
	0x5	4MHz
	0x6	2MHz
	0x7	1MHz

4.5 Serial I/Q Data Interface

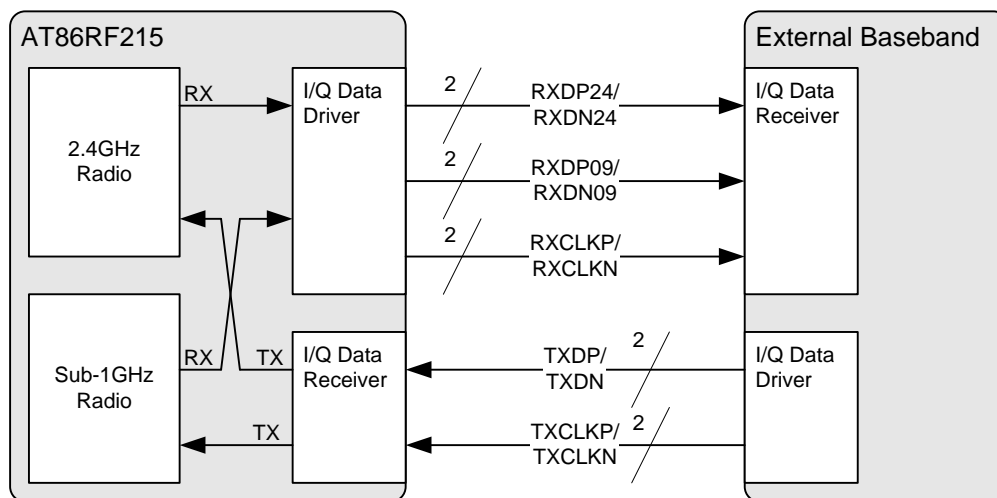
4.5.1 Introduction

A point-to-point, low voltage differential signalling (LVDS) interface is used for the data transfer between the AT86RF215 and an external baseband processor. The implemented interface is based on the IEEE standard 1596.3-1996 (see [4]). The specific interface of the AT86RF215 has a data rate of 128Mb/s composed of 16 data bits at 4MHz for each of the I and Q data streams from the device. The LVDS clock frequency is 64MHz. The interface uses double data rate (DDR). A new data bit is received and transmitted at both the falling and rising edge of the LVDS clock.

In order to decrease current consumption, a proprietary scalable LVDS (SLVDS) interface is implemented in addition to the IEEE standard functionality.

The AT86RF215 data interface consists of two receive and one transmit signal paths. The interface signals are all implemented as differential pairs. Two receive pairs and one clock pair form the LVDS driver. One transmit pair and one clock pair form the LVDS receiver. Within this document the terminologies of I/Q data *driver* and *receiver* are used with reference to the external baseband processor, see Figure 4-8.

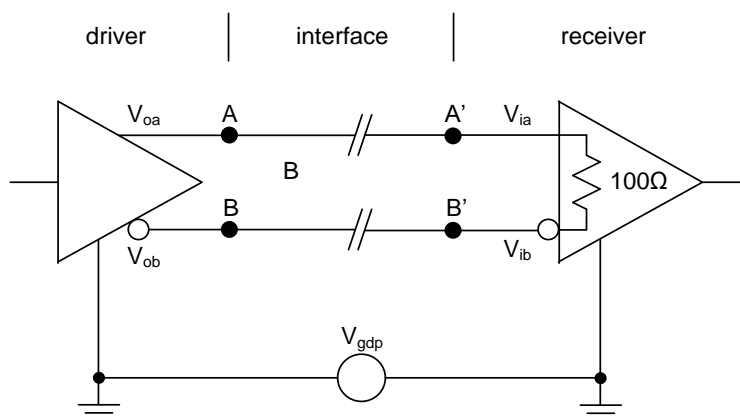
Figure 4-8. I/Q Data Interface



The TXCLK must have the same frequency as the RXCLK signal. There is no requirement on the phase alignment. The RXCLK driver is also enabled while transmitting data, so that the external baseband can derive the TXCLK from the RXCLK, see Table 10-34 on page 206 and Table 10-35 on page 207 for the required phase relation between clock and data.

The driver and receiver should be on the same printed circuit board (PCB) and have a small ground potential V_{gdb} (see Figure 4-9 on page 23) difference. The length of the PCB wires between the devices is expected to be short and their differential impedance should be 100Ω.

Figure 4-9. I/Q Data Interface Structure (Refer to [4])



4.5.2 Configuration

The proprietary SLVDS link has a low voltage swing of 200mV with a common mode offset voltage of 200mV. The differential lines must be terminated with a 100Ω differential impedance. This termination is included in the I/Q data receiver of the AT86RF215. Voltage swing and offset can be adjusted with sub-registers [IQIFC0.DRV](#) and [IQIFC0.CMV](#). Note that a higher voltage swing also increases the current consumption.

The I/Q data interface can also be operated with a common mode voltage of 1.2V. In this way the AT86RF215 can communicate with common LVDS interfaces compliant to the IEEE standard 1596.3-1996 [4]. The higher common mode voltage is selected if bit [IQIFC0.CMV1V2](#) is set to 1. If it is set to 1, the sub-register [IQIFC0.CMV](#) has no function.

The I/Q data interface receivers operate over a wide input common mode range. They have a differential input hysteresis and a fail safe circuit. The hysteresis avoids amplifying small signal noise at zero input voltages. Input voltages can be zero when receiver inputs are open or the connected drivers are powered down. The hysteresis means that an input signal must change by more than V_{hyst} (see [Table 10-32 on page 206](#)) to toggle the receiver output. If no driver circuit is connected to the inputs, the fail safe circuit sets the sub-register [IQIFC1.FAILSF](#) to 1 and the internal pull-ups force the open inputs to DEVDD.

Refer to chapter "[Electrical Characteristics](#)" on page 187 for a complete list of all DC and AC characteristics of the LVDS interface.

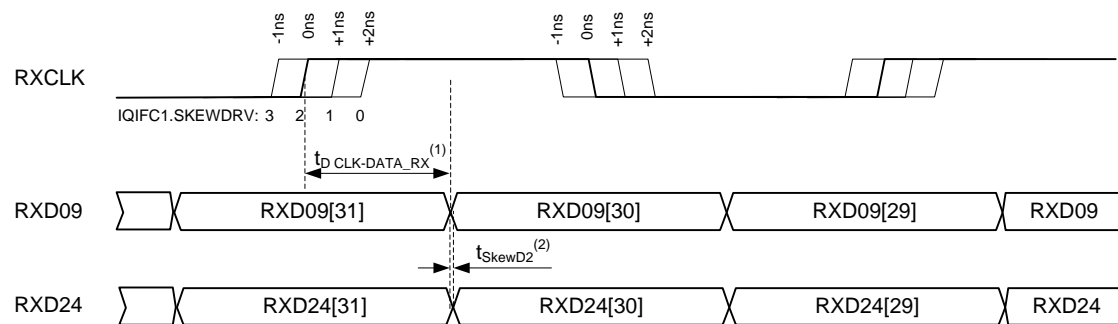
4.5.3 Characteristics and Timing

Double data rate is implemented to clock the data using both negative and positive clock edges. The data sent by the AT86RF215 (transceiver state RX) is center aligned. The data received from an external baseband processor (transceiver TX) must be edge aligned. Uneven data bits are related to the rising clock edge. Even data bits are related to the falling clock edge (see [Figure 4-10 on page 24](#)).

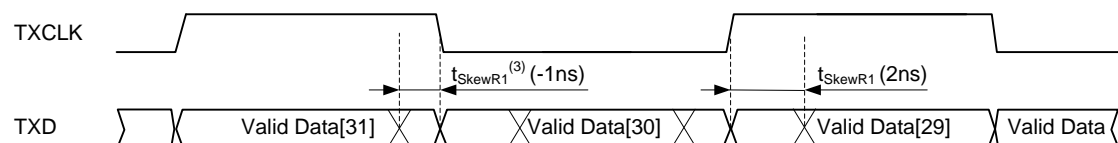
The skew between RX clock and data can be adjusted to match the timing requirement of the LVDS input of an external baseband processor. The skew alignment parameter is set by the sub-register [IQIFC1.SKEWDRV](#). [Figure 4-10](#) shows the functionality of the skew alignment. The skew settings must only be altered when the LVDS interface is off (for example in state TRXOFF).

Figure 4-10. Clock to Data Timing Alignment

RX Link - I/Q Driver (AT86RF215 OUTPUT)



TX Link - I/Q Receiver (AT86RF215 INPUT)



- Notes:
1. Programmable clock to data delay at the I/Q data interface driver (for details refer to register [IQIFC1.SKEWDRV](#) on page 28 and section "[I/Q Data Interface Driver AC Specification](#)" on page 206)
 2. LVDS data channel to LVDS data channel skew (see section "[I/Q Data Interface Driver AC Specification](#)" on page 206)
 3. Skew tolerable at receiver input to meet setup and hold time requirements (see section "[I/Q Data Interface Receiver AC Specification](#)" on page 207)

The data sampling rate f_s ranges from 400ksample/s to 4Msample/s and is defined by the registers [RFn_TXDFE](#) and [RFn_RXDFE](#). The interface transfers the I/Q data in 32-bit data words with a fixed rate of 4Mword/s. This results in a fixed rate of 128Mb/s with a double data rate clock frequency of 64MHz at the interface.

An IDLE period must be inserted between each 32-bit data word if a lower sampling rate f_s is used. During the IDLE period zero words are transmitted. A zero word consists of 32 zero bits.

The interface must be DC coupled, because the bit stream is not DC balanced.

4.5.4 Word Format

The I/Q data interface is based on serializing/de-serializing a 32-bit word. The 32-bit word is composed of a two bit I synchronization pattern followed by a 14-bit I data word and a two bit Q synchronization pattern followed by a 14-bit Q data word (see [Table 4-10](#) below).

Table 4-10. I/Q Data Interface Word Frame Format

Bit[31:30]	Bit[29:16]	Bit[15:14]	Bit[13:0]
I_SYNC = 0b10	I_DATA[13:0]	Q_SYNC = 0b01	Q_DATA[13:0]

The actual baseband signal data is contained in sub-fields I_DATA[13:1] and Q_DATA[13:1], each interpreted as 13-bit 2's complement signed values with {I,Q}_DATA[13] being the sign bit and {I,Q}_DATA[1] being the least significant bit.

For the transmit I/Q data (pin TXD) TX control information can be embedded in the bit I_DATA[0]. In this case, embedded TX control must be enabled in the register IQIFC0.EEC and the bit Q_DATA[0] must be zero. If embedded TX control is not enabled, the bits {I,Q}_DATA[0] are not interpreted.

For the receive I/Q data (pin RXD09/24) the bits {I,Q}_DATA[0] are not used and always equal to 0.

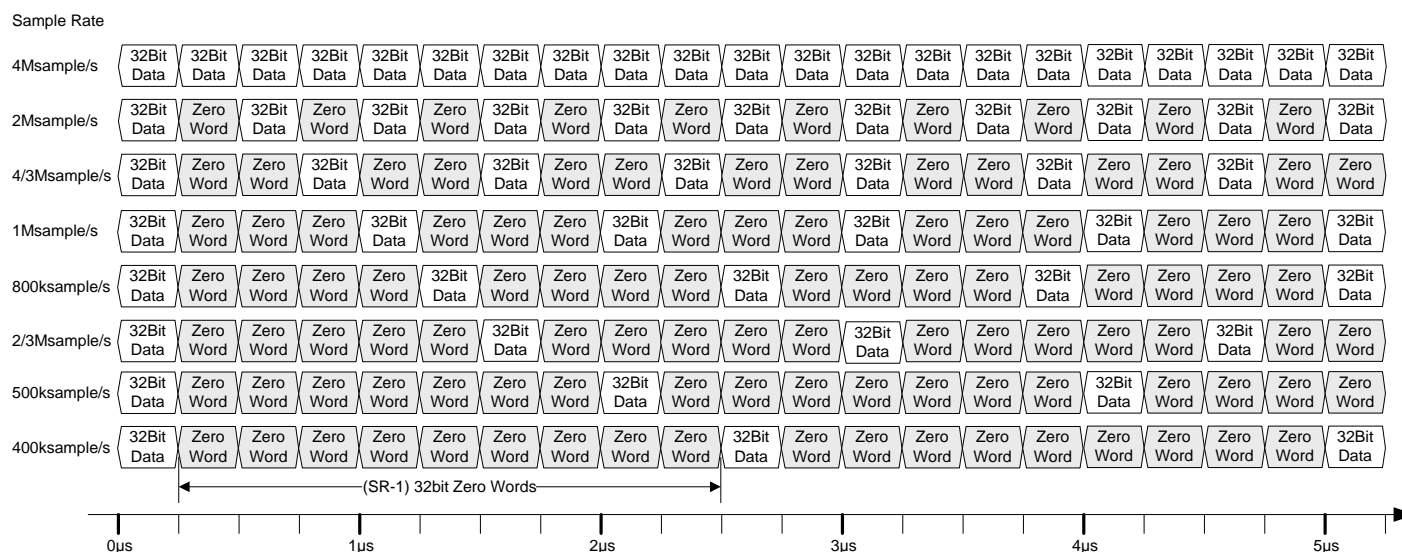
For details on the I/Q data processing refer to section "Transmitter Digital Frontend" on page 43 and "Receiver Digital Frontend" on page 53. Embedded TX control is described in section "Transmit Control" on page 46.

4.5.5 Sample Rate

The sample rate (SR) of the I/Q data stream at TXD must be the same as the transmit sample rate configured in register TXDFE.SR. A number of $m = \text{TXDFE.SR} - 1$ zero words must be inserted between the data carrying 32-bit words (refer to Figure 4-11 below).

The sample rate of the I/Q data stream at RXD09 and RXD24 is the same as the receive sample rate configured in register RXDFE.SR. Zero words are inserted in the same format as for the TXD stream.

Figure 4-11. I/Q Data at Different Sample Rates



4.5.6 Operation and Synchronization

If the AT86RF215 operates in I/Q radio mode, it automatically enables the required I/Q data interface driver and receiver. The TX link (TXD and TXCLK receiver) is enabled in the states TXPREP and TX. In addition, the RXCLK driver is activated because the AT86RF215 operates as I/Q data interface clock master. The RX link is enabled in state RX and incorporates the RXCLK and RXD09 or RXD24 driver for the sub-1GHz or 2.4GHz transceiver, respectively. For details about the transceiver operating modes and states refer to chapter "Basic Operation" on page 30

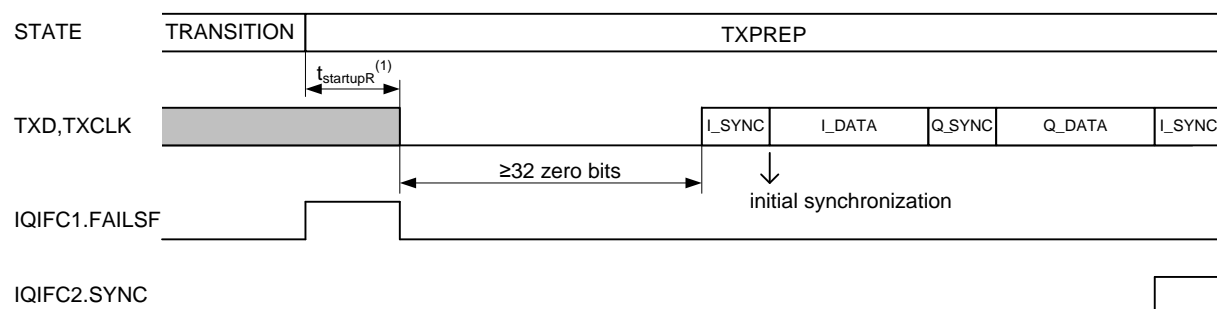
After enabling the TX link, the TXD and TXCLK driver require a start-up time (see section "I/Q Data Interface Driver DC and Startup Specification" on page 205). The start-up phase is followed by the initial synchronization. If the I_SYNC pattern is detected after 32 or more zero bits, the de-serialization of the I/Q data is started. The synchronization of the TX link is validated at each expected I_SYNC and Q_SYNC pattern. An I_SYNC pattern is expected either 16 bits after a Q_SYNC pattern or 32 or more zero bits after a 32-bit data word. A Q_SYNC pattern is expected 16 bits after an I_SYNC pattern. Figure 4-12 on page 26 shows the start-up phase and initial synchronization of the TX link.

The successful reception of a I/Q data word is indicated by the synchronization status bit IQIFC2.SYNC. The bit is cleared at each read access and set again at the reception of the next I/Q data word.

If the validation of the synchronization fails, the received data word is ignored, the synchronization status bit **IQIFC2.SYNC** is cleared and an error status is indicated together with an interrupt (see bit **IQIFC0.SF** and **IRQS.IQIFSF**). A synchronization failure is also indicated if a bit pattern other than I_SYNC is detected during the IDLE condition. The error status is cleared after a new successful initial word synchronization. [Figure 4-13 below](#) shows an example of a synchronization failure caused by a wrong I_SYNC pattern followed by a new synchronization.

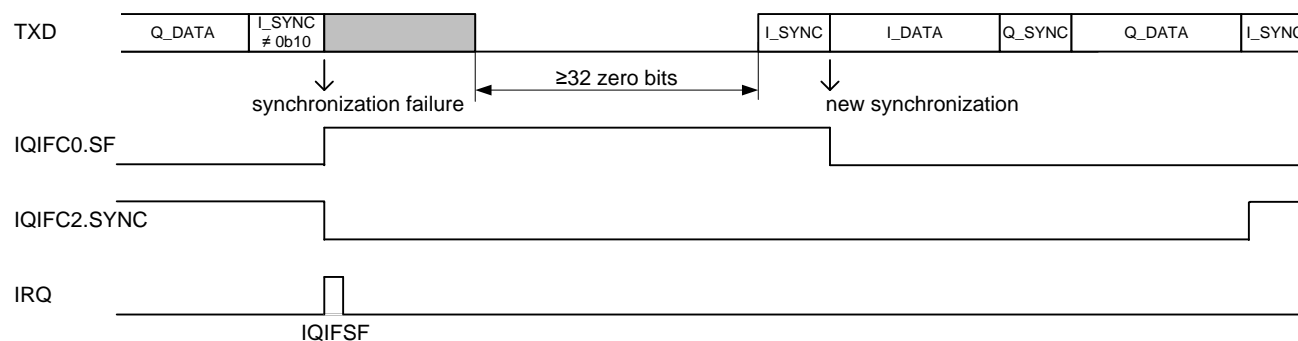
Disabling the I/Q data driver (transceiver is set to state TRXOFF) resets the bits **IQIFC2.SYNC** and **IQIFC0.SF** to zero. Between the last 32-bit word of a TX baseband frame and the first 32-bit word of the following TX baseband frame, zero bits must be inserted for a minimum of 2.5µs (400ksample/s period) to ensure a correct resynchronization of the I/Q data interface.

Figure 4-12. I/Q Data Interface Initial Synchronization



Note: I/Q data interface receiver start-up time (see section "[I/Q Data Interface Driver DC and Startup Specification](#)" on page 205)

Figure 4-13. I/Q Data Interface Synchronization Failure



4.5.7 Loop-back Test

An external loop-back feature is available to test the I/Q data interface by sending the data from the receiver TXD directly to the driver RXD09 and RXD24. Like in normal operation mode, the TXCLK is expected to be a looped back version of RXCLK with no guaranteed phase alignment. Due to the synchronization of the loop-back data to the driver clock RXCLK, the delay from TXD to RXD09/24 is up to 18-bit periods.

The loop-back mode is enabled setting bit **IQIFC0.EXTLB** to 1. Note, the loop-back mode must not be enabled in normal transmit operation mode, the loop-back mode shall be used for interface test and setup.

4.5.8 Register Description

4.5.8.1 RF_IQIFC0 – Transceiver I/Q Data Interface Configuration Register 0

The register configures the I/Q data interface.

Bit	7	6	5	4	3	2	1	0		
	EXTLB		SF	DRV		CMV		CMV1V2	EEC	RF_IQIFC0
Read/Write	RW	R	RW	RW	RW	RW	RW	RW		
Initial Value	0	0	0	1	0	1	0	0		

- **Bit 7 – IQIFC0.EXTLB: I/Q IF External Loopback**

The bit enables the external loopback functionality. If the bit is set to 1, the received data of the I/Q IF pin TXDn/p is fed back via the pins RXDxxn/p.

Table 4-11. EXTLB

Sub-register	Value	Description
EXTLB	0x0	External loopback disabled
	0x1	External loopback enabled

- **Bit 6 – IQIFC0.SF: I/Q IF Synchronization Failure**

The bit indicates whether the data stream of the I/Q data interface is synchronized correctly.

Table 4-12. SF

Sub-register	Value	Description
SF	0x0	No synchronization failure
	0x1	Synchronization failure

- **Bit 5:4 – IQIFC0.DRV: I/Q IF Driver Output Current**

The sub-register configures the I/Q data interface driver output current.

Table 4-13. DRV

Sub-register	Value	Description
DRV	0x0	1mA
	0x1	2mA
	0x2	3mA
	0x3	4mA

- **Bit 3:2 – IQIFC0.CMV: I/Q IF common mode voltage**

The sub-register configures the common mode voltage of the I/Q data interface signals.

Table 4-14. CMV

Sub-register	Value	Description
CMV	0x0	150mV
	0x1	200mV
	0x2	250mV
	0x3	300mV

- **Bit 1 – IQIFC0.CMV1V2: I/Q IF Common Mode Voltage Compliant to IEEE Std 1596**

The common mode voltage of 1.2V compliant to the IEEE Std 1596 is set. Sub-register CMV has no effect.

Table 4-15. CMV1V2

Sub-register	Value	Description
CMV1V2	0x0	CMV sub-register value is valid
	0x1	Common mode of 1.2V is set

- **Bit 0 – IQFC0.EEC: I/Q IF Enable Embedded TX Start Control**

The bit enables the ability to start and finish transmitting by a control bit within the I/Q data stream (I_DATA[0]). If this bit is set to 1, the transmit start and finish cannot be controlled by SPI commands.

Table 4-16. EEC

Sub-register	Value	Description
EEC	0x0	Embedded control is not enabled.
	0x1	Embedded control is enabled.

4.5.8.2 RF_IQFC1 – Transceiver I/Q Data Interface Configuration Register 1

The register configures the skew behavior, the chip mode of the I/Q data interface and contains the status of the I/Q data interface receiver.

Bit	7	6	5	4	3	2	1	0	
	FAILSF	CHPM			–		SKEWDRV		RF_IQFC1
Read/Write	R	RW	RW	RW	RW	RW	RW	RW	
Initial Value	0	0	0	0	0	0	1	0	

- **Bit 7 – IQFC1.FAILSF: I/Q IF Receiver Failsafe Status**

This bit indicates that the LVDS receiver is in failsafe mode. The failsafe mode is entered if the LVDS receiver is not driven by an LVDS driver.

- **Bit 6:4 – IQFC1.CHPM: Chip Mode**

This sub-register configures the working mode of the chip and define which parts (RF, baseband, I/Q IF) are in operation. Note, the AT86RF215IQ supports chip mode one (CHPM=1) only. Also note, the AT86RF215M generally does not support operation of BBC1 and RF24.

Table 4-17. CHPM

Sub-register	Name	Value	Description
CHPM	RF_MODE_BBRF	0x0	RF enabled, baseband (BBC0, BBC1) enabled, I/Q IF disabled
	RF_MODE_RF	0x1	RF enabled, baseband (BBC0, BBC1) disabled, I/Q IF enabled
	RF_MODE_BBRF09	0x4	RF enabled, baseband (BBC0) disabled and (BBC1) enabled, I/Q IF for sub-GHz Transceiver enabled
	RF_MODE_BBRF24	0x5	RF enabled, baseband (BBC1) disabled and (BBC0) enabled, I/Q IF for 2.4GHz Transceiver enabled

- **Bit 1:0 – IQFC1.SKEWDRV: Skew alignment I/Q IF driver**

This sub-register configures the alignment of the I/Q data interface RXDxxn/p signal edges relative to the RXCLKn/p clock edges. The register values define the time from the RXCLKn/p clock edge to the next RXDxxn/p signal edge. The reset value of 2 (3.906ns) corresponds to a half bit period with the data center aligned in reference to the clock.

Table 4-18. SKEWDRV

Sub-register	Value	Description
SKEWDRV	0x0	1.906ns
	0x1	2.906ns
	<u>0x2</u>	3.906ns
	0x3	4.906ns

4.5.8.3 RF_IQFC2 – Transceiver I/Q Data Interface Configuration Register 2

The register contains the status of the I/Q data interface deserializer.

Bit	7	6	5	4	3	2	1	0	
	SYNC	–	–	–	–	–	–	–	RF_IQFC2
Read/Write	R	RW	R	R	RW	RW	RW	RW	
Initial Value	0	0	0	0	1	0	1	1	

- **Bit 7 – IQFC2.SYNC: I/Q IF Deserializer Synchronization Status**

This bit indicates that the I/Q IF has synchronized to the incoming I/Q data stream.

5. Basic Operation

5.1 Operating Modes

5.1.1 Operating Modes Description

The AT86RF215 contains two transceivers. Each transceiver comprises a radio and a baseband module. Each transceiver can be operated in two different modes:

- Baseband mode
- I/Q radio mode.

The AT86RF215IQ only provides the I/Q radio mode for both transceivers. For device differentiation see section "[Device Family](#)" on page 3.

In the baseband mode, the internal baseband controls the radio and processes the data encoding/decoding for transmit and receive from the internal frame buffer. [Figure 5-1](#) shows a sample system setup if both transceivers are operated in this mode.

In the I/Q radio mode, the radio is controlled from an external microcontroller via SPI and the data are exchanged via the I/Q data interface which is described in section "[Serial I/Q Data Interface](#)" on page 22. This allows the usage of an external baseband. In the I/Q radio mode any access to BBCn_* registers of the respective baseband has no effect. This implies that no baseband interrupts are issued and the registers [BBCn_IRQS](#) are not changed. An example setup for both transceivers operated in I/Q radio mode is shown in [Figure 5-2](#).

If one transceiver is operated in I/Q radio mode and the other transceiver is operated in baseband controlled mode, a mixed setup applies (see [Figure 5-3](#) and [Figure 5-4](#)).

After reset or wakeup from state DEEP_SLEEP, the baseband mode is set for both transceivers as default. The mode can be configured by the sub-register [IQIFC1.CHPM](#); see [Table 5-1](#) below.

Table 5-1. Chip mode Configurations

Operating Mode	TRX09			TRX24			TXD
	RF09	BBC0	RXD09	RF24	BBC1	RXD24	
IQIFC1.CHPM = RF_MODE_BBRF	on	on	off	on	on	off	off
	Baseband mode			Baseband mode			
IQIFC1.CHPM = RF_MODE_RF	on	off	on	on	off	on	on
	I/Q radio mode			I/Q radio mode			
IQIFC1.CHPM = RF_MODE_BBRF09	on	off	on	on	on	off	on
	I/Q radio mode			Baseband mode			
IQIFC1.CHPM = RF_MODE_BBRF24	on	on	on	on	off	on	on
	Baseband mode			I/Q radio mode			

Note: See sub-register [IQIFC1.CHPM](#) for chip mode enumerations

Figure 5-1. System Setup Using Baseband Mode for both Transceivers

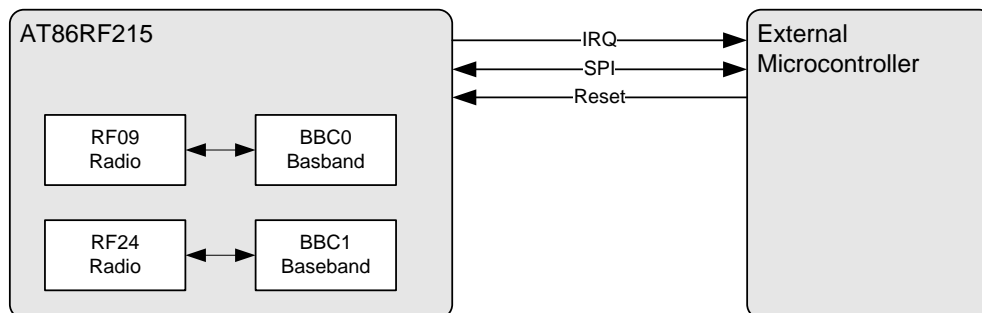


Figure 5-2. System Setup Using I/Q Radio Mode for both Radios

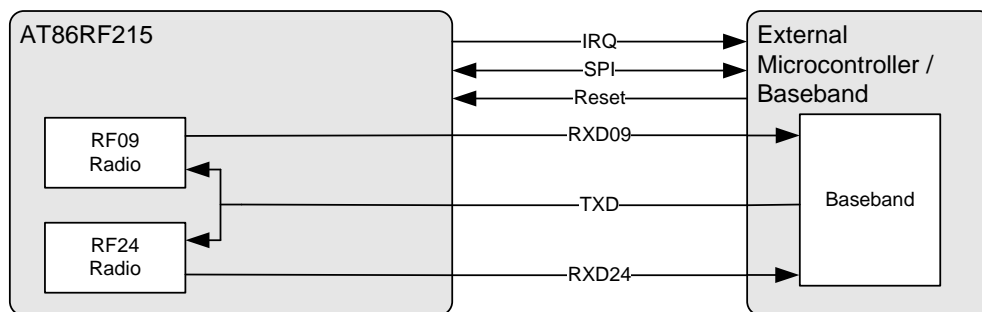


Figure 5-3. System Setup for mixed Setup (TRX09 in I/Q Radio Mode, TRX24 in Baseband Mode)

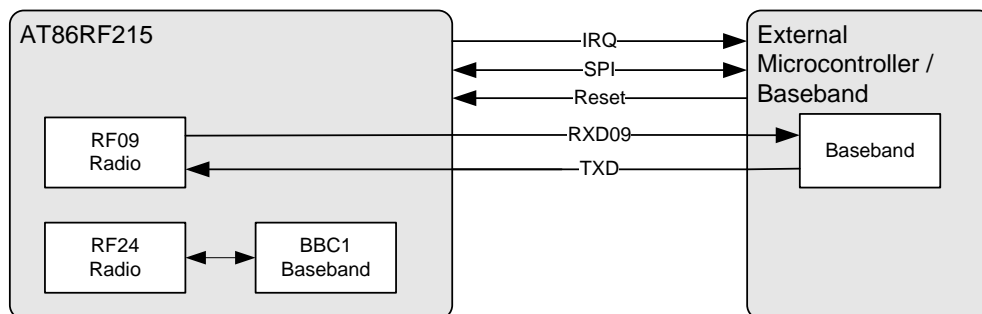
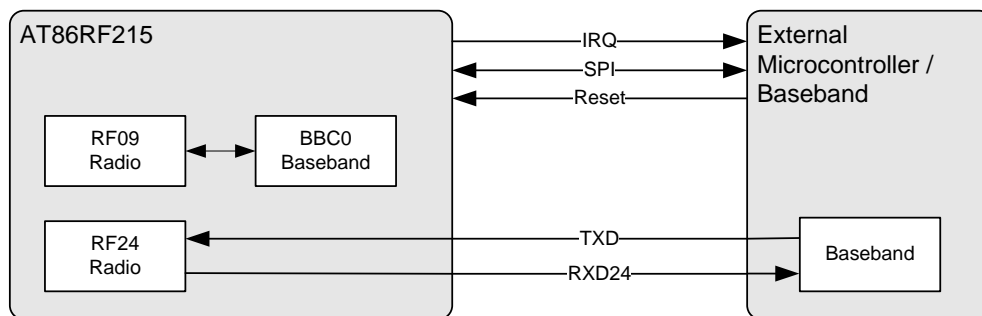


Figure 5-4. System Setup for mixed Setup (TRX24 in I/Q Radio Mode, TRX09 in Baseband Mode)



5.1.2 Register Description

5.1.2.1 RF_IQIFC1 – Transceiver I/Q Data Interface Configuration Register 1

The register configures the skew behavior, the chip mode of the I/Q data interface and contains the status of the I/Q data interface receiver.

Bit	7	6	5	4	3	2	1	0	
	FAILSF	CHPM			–	–	SKEWDRV		RF_IQIFC1
Read/Write	R	RW	RW	RW	RW	RW	RW	RW	
Initial Value	0	0	0	0	0	0	1	0	

- **Bit 6:4 – IQIFC1.CHPM: Chip Mode**

This sub-register configures the working mode of the chip and define which parts (RF, baseband, I/Q IF) are in operation. Note, the AT86RF215IQ supports chip mode one (CHPM=1) only. Also note, the AT86RF215M generally does not support operation of BBC1 and RF24.

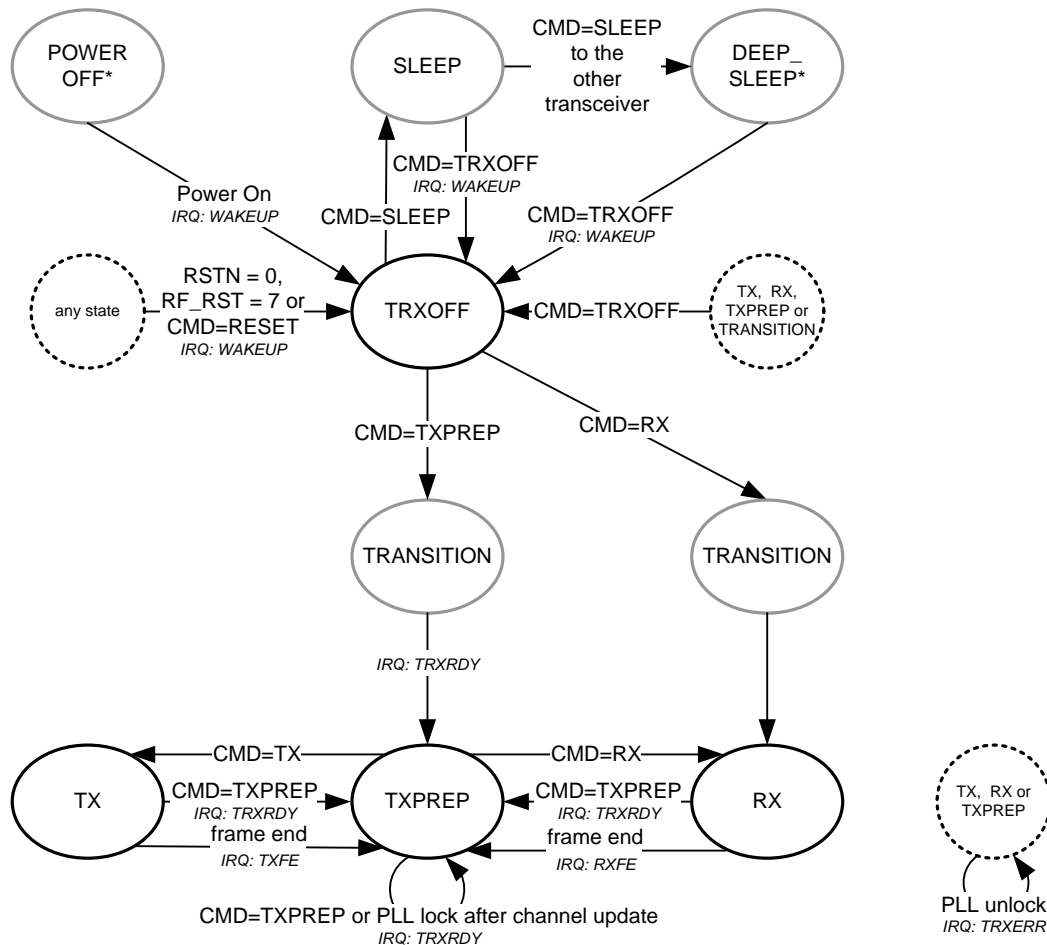
Table 5-2. CHPM

Sub-register	Name	Value	Description
CHPM	RF_MODE_BBRF	0x0	RF enabled, baseband (BBC0, BBC1) enabled, I/Q IF disabled
	RF_MODE_RF	0x1	RF enabled, baseband (BBC0, BBC1) disabled, I/Q IF enabled
	RF_MODE_BBRF09	0x4	RF enabled, baseband (BBC0) disabled and (BBC1) enabled, I/Q IF for sub-GHz Transceiver enabled
	RF_MODE_BBRF24	0x5	RF enabled, baseband (BBC1) disabled and (BBC0) enabled, I/Q IF for 2.4GHz Transceiver enabled

5.2 State Machine

The AT86RF215 state machine forms the basis for both operating modes. Figure 5-5 shows the state machine of one of the transceivers. This section describes the different states and how to initiate state transitions.

Figure 5-5. State Machine



Legend:

- ← CMD=TRXOFF — transition by value written to register
- ← RSTN = 0 — transition by pin RSTN value
- ← frame end — transition by event end of transmission or reception
- ← IRQ: WAKEUP — interrupt status

* Internal state, cannot be read from register RFn_STATE

The current transceiver state is determined by reading the register `RFn_STATE`. A state change is initiated by writing a command to the register `RFn_CMD`. The provided command is appended to the command queue. The command queue has a depth of one element. As soon as the previous command has been executed, the next command is fetched and handled. For example, if in the state TRXOFF the commands TXPREP and TX are written consecutively to the register `RFn_CMD`, the transition from state TRXOFF to TXPREP is executed before the transition to state TX is started.

An interrupt indication may be associated with some state changes. In this case the corresponding interrupt can be read from the registers `RFn_IRQS` or `BBCn_IRQS`, for further information see sections "Interrupt Signalling" on page 19 and "Interrupts" on page 38.

The following paragraphs describe the different states and the state transitions.

5.2.2 Power-on Procedure

For further information see section "Power-on Reset" on page 13.

5.2.3 General State Transitions

From each state a [Chip Reset](#) or [Transceiver Reset](#) can be initiated that forces the entire device or a certain transceiver to be reset and afterwards to enter state TRXOFF. For further information see section "Reset Modes " on page 13.

5.2.4 State TRXOFF

In state TRXOFF all registers can be accessed via SPI.

By default the 1.8V analog voltage regulator (AVDD) is off. The analog voltage regulator is turned on during the transition to the states TXPREP or RX and turned off when returning to the state TRXOFF. To shorten the transition time, the analog voltage regulator (AVDD) can be configured by the sub-register `AUXS.AVEN` to remain on in state TRXOFF.

After the transceiver has completed the power-on procedure, it automatically reaches the state TRXOFF and the interrupt `IRQS.WAKEUP` is issued. The state TRXOFF can be reached from all states by writing the command TRXOFF to the register `RFn_CMD`.

5.2.5 State SLEEP

While the one of the transceiver is in state SLEEP, all registers of the transceiver are reset. In contrast to the state DEEP_SLEEP, the digital voltage regulator (DVREG) stays on.

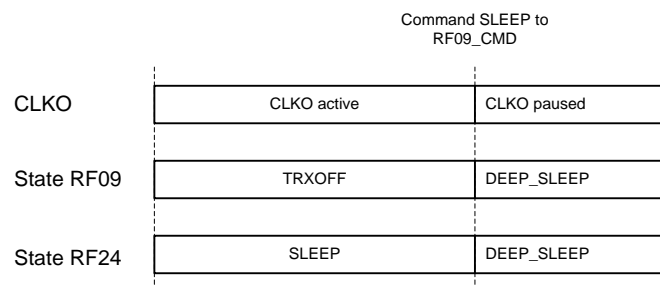
From state TRXOFF the transceiver is set to state SLEEP by writing the command SLEEP to the register `RFn_CMD`. The state SLEEP can be left again by writing command TRXOFF to the register `RFn_CMD`. If the transceiver reaches the state TRXOFF, the interrupt `IRQS.WAKEUP` is issued.

5.2.6 State DEEP_SLEEP and Wake-up Procedure

During state DEEP_SLEEP the DVREG is turned off and the clock output signal (CLKO) is paused; see section "Clock Output" on page 20 for further information about CLKO. In state DEEP_SLEEP the lowest current consumption value `IDEEP_SLEEP` is reached.

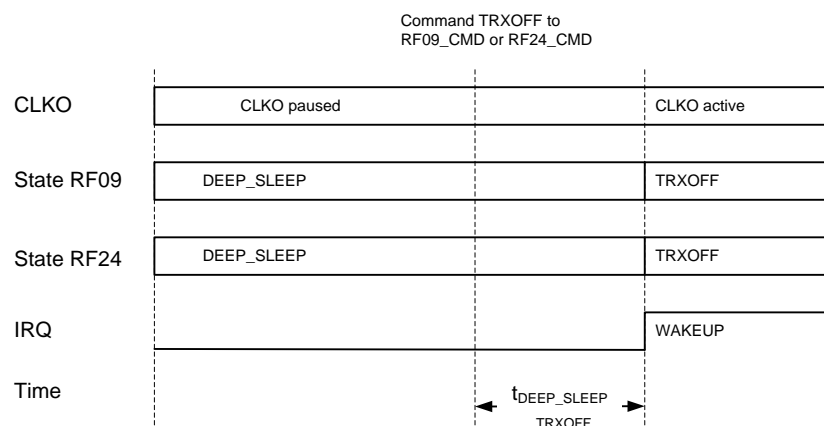
If one of the transceivers (sub1-GHz or 2.4GHz) has been set to state SLEEP and the other transceiver (2.4GHz or sub1-GHz) is set to the state SLEEP as well, the state DEEP_SLEEP is entered automatically (i.e. both transceivers need to be set to SLEEP to enter state DEEP_SLEEP). [Figure 5-6](#) shows the procedure to enter state DEEP_SLEEP.

Figure 5-6. Procedure entering state DEEP_SLEEP



Writing command TRXOFF, via SPI, while in state DEEP_SLEEP causes the transition from state DEEP_SLEEP to TRXOFF. Writing the command TRXOFF to one of the registers [RFn_CMD](#) wakes-up both transceivers. [Figure 5-7](#) shows the procedure to leave state DEEP_SLEEP and to wake-up.

Figure 5-7. Wake-up from DEEP_SLEEP Procedure



Once the command TRXOFF is written to one of the radio register [RFn_CMD](#), the XOSC and DVREG are started. After $t_{DEEP_SLEEP_TRXOFF}$ both transceivers enter the state TRXOFF and both interrupts [IRQS.WAKEUP](#) are issued. The clock output signal is available and provided to pin CLKO if enabled before the state DEEP_SLEEP has been entered. This procedure is similar to the power-on procedure. All registers are set to their reset values. However the registers [RF_CFG](#), [RF_CLKO](#), [RF_XOC](#) and [RF_BMDVC](#) are not reset. These registers keep their values during state DEEP_SLEEP, see section "[AT86RF215 Reset Modes](#)" on page 13.

5.2.7 State TXPREP

The state TXPREP is used to prepare the transceiver for transmission or reception. In the state TXPREP, the analog voltage regulator is powered up, the PLL is locked to the configured frequency and analog calibrations are initiated (see section "[Analog Calibrations](#)" on page 80). To achieve maximum performance, the TX output power (register [PAC.TXPWR](#)) and the center frequency (see section "[Frequency Synthesizer \(PLL\)](#)" on page 62) must be configured in state TRXOFF. The analog transmitter and receiver are still disabled.

In the I/Q radio mode the I/Q data interface (pins RXCLKP/N, TXCLKP/N and TXDP/N) is enabled.

The state TXPREP can be reached from any state, except from the sleep states (i.e. SLEEP and DEEP_SLEEP), by writing the command TXPREP to the register [RFn_CMD](#). Depending on the state in which the command TXPREP is written different transition durations are required to reach the state TXPREP. For example, from state TRXOFF the duration t_{TRXOFF_TXPREP} is required to reach TXPREP.

In the baseband mode, the baseband switches automatically from the state TX to the state TXPREP once frame transmission is completed. It switches automatically from state RX to state TXPREP, once a frame reception is completed.

Entering the state TXPREP by writing the command TXPREP causes the device to issue the interrupt [IRQS.TRXRDY](#) once the state TXPREP is reached.

5.2.8 State TX

The state TX is used to transmit data. The PLL is locked to the transmit frequency. The analog voltage regulator, the transmitter analog frontend and transmitter digital frontend are all enabled.

In the baseband mode, the baseband enables the transmitter and provides I/Q data to the radio. The samples are handled by the radio and transmitted over-the-air. If all samples are sent, the baseband (operated in basic mode) disables the transmitter and sets the state TXPREP automatically. For further information see sections "Example Transmit Procedure Using Basic Mode" on page 172 and "Example Transmit Procedure Using Auto Mode" on page 174.

In the I/Q radio mode, the external microcontroller controls the transmitter via SPI and the I/Q data is provided by the I/Q interface. The transmitter control is described in section "Transmit Control" on page 46. In the I/Q radio mode, the I/Q data interface (pins RXCLKP/N, TXCLKP/N and TXDP/N) is enabled. For further information see section "Transmitter Usage in I/Q Radio Mode" on page 178.

The state TX is reached from the state TXPREP by writing the command TX to the register RFn_CMD. If the command TXPREP or TRXOFF is written to the transceiver while being in state TX, an ongoing transmission is aborted.

5.2.9 State RX

The state RX is used to receive data. The PLL is locked to the receive frequency. The analog voltage regulator, the receiver analog frontend and the receiver digital frontend are all enabled.

In the baseband mode, the baseband decodes received data. If the baseband has received a complete frame and the interrupt IRQS.RXFE occurs, it stops the reception and the transceiver is switched to the state TXPREP automatically. For further information about the receive procedure see sections "Example Receive Procedure Using Basic Mode" on page 173 and "Example Receive Procedure Using Auto Mode" on page 176.

In the I/Q radio mode, the I/Q data interface (pins RXCLKP/N, RXDP/N09 (sub1-GHz) or RXDP/N24 (2.4GHz)) is enabled.

The state RX is reached from the state TXPREP or from the state TRXOFF by writing the command RX to the register RFn_CMD. If the command TXPREP or TRXOFF is written to the transceiver while being in state RX, an ongoing reception is aborted.

5.2.10 Register Description

5.2.10.1 RFn_STATE – Transceiver State

The register contains the current transceiver state.

Bit	7	6	5	4	3	2	1	0	
	–	–	–	–	–	STATE			RFn_STATE
Read/Write	R	R	R	R	R	R	R	R	
Initial Value	0	0	0	0	0	1	1	1	

- **Bit 2:0 – STATE.STATE: Transceiver State**

The current transceiver state can be determined by reading the sub-register STATE. A state transition is triggered by writing a new command to the sub-register CMD.

Table 5-3. STATE

Sub-register	Name	Value	Description
STATE	RF_TRXOFF	0x2	TRXOFF (Transceiver off, SPI active)
	RF_TXPREP	0x3	TXPREP (Transmit preparation)
	RF_TX	0x4	TX (Transmit)
	RF_RX	0x5	RX (Receive)
	RF_TRANSITION	0x6	TRANSITION (State transition in progress)
	RF_RESET	0x7	RESET (Transceiver is in state RESET or SLEEP)

5.2.10.2 RFn_CMD – Transceiver Command

This register allows control of the transceiver.

Bit	7	6	5	4	3	2	1	0	
	-					CMD			RFn_CMD
Read/Write	R	R	R	R	R	RW	RW	RW	
Initial Value	0	0	0	0	0	0	0	0	

- **Bit 2:0 – CMD.CMD: Transceiver Command**

The sub-register controls the transceiver states. Writing a new command to the sub-register triggers a state transition. The current state can be read from sub-register STATE.

Table 5-4. CMD

Sub-register	Name	Value	Description
CMD	RF_NOP	0x0	NO OPERATION
	RF_SLEEP	0x1	SLEEP
	RF_TRXOFF	0x2	TRXOFF (Transceiver off, SPI active)
	RF_TXPREP	0x3	TXPREP (Transmit preparation)
	RF_TX	0x4	TX (Transmit)
	RF_RX	0x5	RX (Receive)
	RF_RESET	0x7	RESET (transceiver reset, the transceiver state will automatically end up in state TRXOFF)

5.3 Interrupts

5.3.1 Description

The AT86RF215 generates in certain scenarios interrupt events (IRQ). Depending on the interrupt configuration, all interrupt events (from the sub-1GHz radio, 2.4GHz radio, baseband core 0 and baseband core 1) are combined to a single interrupt signal.

Interrupts can be enabled / disabled for each radio and baseband core separately by the registers [RFn_IRQM](#) and [BBCn_IRQM](#). After a reset procedure and a wake-up from DEEP_SLEEP procedure, all interrupt sources are disabled except the interrupt WAKEUP.

The pending interrupt event(s) or source(s) can be determined by reading the radio and baseband IRQ status registers [RFn_IRQS](#) and [BBCn_IRQS](#). Each radio and baseband block provides its own interrupt status register. Altogether there are four interrupt status registers.

The radio interrupt status registers [RFn_IRQS](#) indicate interrupt events that are related to radio functionality, such as [IRQS.TRXERR](#), [IRQS.EDC](#) or [IRQS.TRXRDY](#), or general transceiver functionality, such as [IRQS.IQIFSF](#), [IRQS.BATLOW](#), [IRQS.WAKEUP](#). [Table 5-5](#) summarizes the radio interrupts status and refers to sections that provide further information about the corresponding interrupt.

Table 5-5. Radio Interrupt Status

Interrupt	Section for further information	Comment
IRQS.WAKEUP	"State DEEP_SLEEP and Wake-up Procedure" on page 34 "Reset Modes " on page 13	Returning from the state DEEP_SLEEP, the interrupt IRQS.WAKEUP is always set for both radios together. On the other hand, the interrupt IRQS.WAKEUP is set only for the corresponding radio that returns from the State SLEEP. Once a Chip Reset procedure is completed, the interrupt IRQS.WAKEUP is issued for both transceivers. A Transceiver Reset completion is indicated by the interrupt IRQS.WAKEUP for the corresponding transceiver only.
IRQS.TRXRDY	"Frequency Synthesizer (PLL)" on page 62 and "State TXPREP" on page 35	
IRQS.EDC	"Energy Measurement" on page 56	
IRQS.BATLOW	"Battery Monitor (BATMON) " on page 78	The IRQ IRQS.BATLOW is issued pair wise, i.e. this IRQ is always set for both radios (sub1-GHz and 2.4GHz) at the same time.
IRQS.TRXERR	"Frequency Synthesizer (PLL)" on page 62	
IRQS.IQIFSF	"Serial I/Q Data Interface" on page 22	Applicable in I/Q radio mode only.

The baseband interrupt status registers **BBCn_IRQS** indicate interrupt events that are related to frame processing functionality. The baseband interrupt status registers **BBCn_IRQS** do not change if the device is operated in the I/Q radio mode. For further information about baseband interrupts see section "Baseband Core" on page 81.

The IRQ status registers are cleared automatically by reading the corresponding register via SPI. The interrupt status registers can be read separately or all IRQ status registers can be read at once using the SPI block mode; see section "SPI Transceiver Control Interface" on page 16 for further information about SPI access.

There can be more than one interrupt event pending at a time. As long as there is any unmasked/enabled interrupt reason pending, the pin IRQ is kept active. If the sub-register **RF_CFG.IRQMM** is set to 1, the interrupt status can be read from the interrupt status registers (IRQS), even if the corresponding IRQ is not enabled.

5.3.2 Register Description

5.3.2.1 BBCn_IRQM – Baseband IRQ Mask

The register **BBCn_IRQM** contains the baseband IRQ mask. A bit set to 1 enables the corresponding IRQ to cause an IRQ pin event. A bit set to 0 disables the corresponding IRQ to cause an IRQ pin event.

Bit	7	6	5	4	3	2	1	0	
	FBLI	AGCR	AGCH	TXFE	RXEM	RXAM	RXFE	RXFS	BBCn_IRQM
Read/Write	RW	RW	RW	RW	RW	RW	RW	RW	
Initial Value	0	0	0	0	0	0	0	0	

- **Bit 7 – IRQM.FBLI: Frame Buffer Level Indication Interrupt Mask**

If this bit is set to 1, the interrupt FBLI is enabled.

- **Bit 6 – IRQM.AGCR: AGC Release Interrupt Mask**

If this bit is set to 1, the interrupt AGCR is enabled.

- **Bit 5 – IRQM.AGCH: AGC Hold Interrupt Mask**

If this bit is set to 1, the interrupt AGCH is enabled.

- **Bit 4 – IRQM.TXFE: Transmitter Frame End Interrupt Mask**

If this bit is set to 1 the interrupt TXFE is enabled.

- **Bit 3 – IRQM.RXEM: Receiver Extended Match Interrupt Mask**

If this bit is set to 1, the interrupt RXEM is enabled.

- **Bit 2 – IRQM.RXAM: Receiver Address Match Interrupt Mask**

If this bit is set to 1, the interrupt RXAM is enabled.

- **Bit 1 – IRQM.RXFE: Receiver Frame End Interrupt Mask**

If this bit is set to 1, the interrupt RXFE is enabled.

- **Bit 0 – IRQM.RXFS: Receiver Frame Start Interrupt Mask**

If this bit is set to 1, the interrupt RXFS is enabled.

5.3.2.2 RFn_IRQM – Radio IRQ Mask

The register **RFn_IRQM** contains the radio IRQ mask. A bit set to 1 enables the corresponding IRQ to cause an IRQ pin event. A bit set to 0 disables the corresponding IRQ to cause an IRQ pin event.

Bit	7	6	5	4	3	2	1	0	
	–	–	IQIFSF	TRXERR	BATLOW	EDC	TRXRDY	WAKEUP	RfN_IRQM
Read/Write	R	R	RW	RW	RW	RW	RW	RW	
Initial Value	0	0	0	0	0	0	0	1	

- **Bit 5 – IRQM.IQIFSF: I/Q IF Synchronization Failure Interrupt Mask**

If this bit is set to 1, the interrupt IQIFSF is enabled.

- **Bit 4 – IRQM.TRXERR: Transceiver Error Interrupt Mask**

If this bit is set to 1, the interrupt TRXERR is enabled.

- **Bit 3 – IRQM.BATLOW: Battery Low Interrupt Mask**

If this bit is set to 1, the interrupt BATLOW is enabled.

- **Bit 2 – IRQM.EDC: Energy Detection Completion Interrupt Mask**

If this bit is set to 1, the interrupt EDC is enabled.

- **Bit 1 – IRQM.TRXRDY: Transceiver Ready Interrupt Mask**

If this bit is set to 1, the interrupt TRXRDY is enabled.

- **Bit 0 – IRQM.WAKEUP: Wake-up / Reset Interrupt Mask**

If this bit is set to 1, the interrupt WAKEUP is enabled. This bit is automatically set to 1 in the states POWER_ON, DEEP_SLEEP, SLEEP and RESET.

5.3.2.3 RfN_IRQS – Radio IRQ Status

The register RfN_IRQS contains the radio IRQ status. A bit set to 1 indicates that the corresponding IRQ has occurred. The register is cleared by a read access.

Bit	7	6	5	4	3	2	1	0	
	–	–	IQIFSF	TRXERR	BATLOW	EDC	TRXRDY	WAKEUP	RfN_IRQS
Read/Write	R	R	R	R	R	R	R	R	
Initial Value	0	0	0	0	0	0	0	0	

- **Bit 5 – IRQS.IQIFSF: I/Q IF Synchronization Failure Interrupt**

This bit is set to 1 if the I/Q data interface synchronization fails.

- **Bit 4 – IRQS.TRXERR: Transceiver Error Interrupt**

This bit is set to 1 if a transceiver error is detected, i.e. a PLL lock error occurs.

- **Bit 3 – IRQS.BATLOW: Battery Low Interrupt**

This bit is set to 1 if the battery monitor detects a voltage at EVDD that is below the threshold voltage.

- **Bit 2 – IRQS.EDC: Energy Detection Completion Interrupt**

This bit is set to 1 if a single or continuous energy measurement is completed. It is not set if the automatic energy measurement mode is used.

- **Bit 1 – IRQS.TRXRDY: Transceiver Ready Interrupt**

This bit is set to 1 if the command TXPREP is written to the register RFn_CMD and transceiver reaches the state TXPREP. While being in the state TXPREP and changing the RF frequency, the IRQ TRXRDY is issued once the frequency settling is completed. Note: It is not set if the baseband switches automatically to the state TXPREP due to an IRQ TXFE or RXFE.

- **Bit 0 – IRQS.WAKEUP: Wake-up / Reset Interrupt**

This bit is set to 1 if the wake-up procedure from state SLEEP/DEEP_SLEEP or power-up procedure is completed. It also indicates the completion of the RESET procedure.

5.3.2.4 BBCn_IRQS – Baseband IRQ Status

The register BBCn_IRQS contains the baseband IRQ status. A bit set to 1 indicates that the corresponding IRQ has occurred. The register is cleared by a read access.

Bit	7	6	5	4	3	2	1	0	
	FBLI	AGCR	AGCH	TXFE	RXEM	RXAM	RXFE	RXFS	BBCn_IRQS
Read/Write	R	R	R	R	R	R	R	R	
Initial Value	0	0	0	0	0	0	0	0	

- **Bit 7 – IRQS.FBLI: Frame Buffer Level Indication Interrupt**

During frame receive this bit is set to 1 if the number of received bytes is greater than the frame buffer level indication (see registers BBCn_FBLIL and BBCn_FBLIH).

- **Bit 6 – IRQS.AGCR: AGC Release Interrupt**

This bit is set to 1 if the baseband releases the AGC. The interrupts AGCH and AGCR are exclusive; i.e. only the last occurrence of both status bits is indicated. The interrupt AGCR is cleared automatically by the interrupt AGCH.

- **Bit 5 – IRQS.AGCH: AGC Hold Interrupt**

This bit is set to 1 if the baseband holds the AGC. The interrupts AGCH and AGCR are exclusive; i.e. only the last occurrence of both status bits is indicated. The interrupt AGCH is cleared automatically by the interrupt AGCR.

- **Bit 4 – IRQS.TXFE: Transmitter Frame End Interrupt**

This bit is set to 1 if the frame transmission is completed. The state is automatically changed from TX to TXPREP. This automatic state change does not cause an IRQ TRXRDY.

- **Bit 3 – IRQS.RXEM: Receiver Extended Match Interrupt**

This bit is set to 1 if a received frame matches the extended frame filter rules.

- **Bit 2 – IRQS.RXAM: Receiver Address Match Interrupt**

This bit is set to 1 if a received frame matches the 3rd level filter rules.

- **Bit 1 – IRQS.RXFE: Receiver Frame End Interrupt**

This bit is set to 1 if frame end is detected. The state is automatically changed from RX to TXPREP. This automatic state change does not cause an IRQ TRXRDY.

- **Bit 0 – IRQS.RXFS: Receiver Frame Start Interrupt**

This bit is set to 1 if a valid frame start (PHR) is detected.

5.3.2.5 RF_CFG – IRQ Configuration

The register RF_CFG contains bits to configure the IRQ behavior.

Bit	7	6	5	4	3	2	1	0	
(0x0006)	–	–	–	–	IRQMM	IRQP	DRV		RF_CFG
Read/Write	R	R	R	R	RW	RW	RW	RW	
Initial Value	0	0	0	0	1	0	0	1	

- **Bit 3 – RF_CFG.IRQMM: IRQ Mask Mode**

The bit IRQMM configures the IRQ mask mode.

Table 5-6. IRQMM

Sub-register	Value	Description
IRQMM	0x0	Masked IRQ reasons do not appear in IRQS register
	<u>0x1</u>	Masked IRQ reasons do appear in IRQS register

5.4 Basic Operation of AT86RF215M

The AT86RF215M includes the sub-1GHz transceiver only. Generally the registers of the 2.4GHz radio and the baseband core 1 must not be accessed. For operation of the AT86RF215M the following aspects must be considered:

- The TRX24 (i.e. RF24, BBC1, RXD24) is not available for chip mode operation (see [Table 5-1 on page 30](#))
- After reset and wakeup from DEEP_SLEEP the interrupt [IRQS.WAKEUP](#) is set in the registers RF09_IRQS and RF24_IRQS. The IRQ is cleared by reading both registers [RFn_IRQS](#).
- The state DEEP_SLEEP is entered by writing the command SLEEP to the registers RF09_CMD and RF24_CMD.

The pins RFN24/RFP24; RXDN24/RXDP24; FEA24/FEB24 and AVDD1 are not supported (see section "[Pin-out Diagram and Description](#)" on page 7).

6. Module Description

6.1 Transmitter Frontend

For configuration of the transmitter frontend the transceiver must be in the [State TRXOFF](#).

6.1.1 Transmitter Digital Frontend

The Transmitter Digital Frontend (TX_DFE) performs discrete time sampling rate conversion of the complex baseband signal. For this conversion, a zero-intermediate frequency (zero-IF) architecture is applied.

The TX I/Q input signals are the data words I_DATA[13:0] and Q_DATA[13:0]. The baseband signal data is contained in sub-fields I_DATA[13:1] and Q_DATA[13:1] for the in-phase and quadrature signal, respectively. Each sub-field is interpreted as a 13-bit two's complement signed value with {I,Q}_DATA[13] being the sign bit and {I,Q}_DATA[1] being the least significant bit. If embedded TX start is used, the control field entry I_DATA[0] can be utilized for a convenient PA ramp up control, see section ["Transmit Control" on page 46](#). The control signal embedded in I_DATA[0] is automatically delayed according to the processing delay caused by the TX_DFE filter stages, see [Figure 6-1](#). The field entry Q_DATA[0] is be set to 0.

The I/Q data sampling frequency f_s is to be configured according to

$$f_s = \frac{4}{SR} \text{ MHz}$$

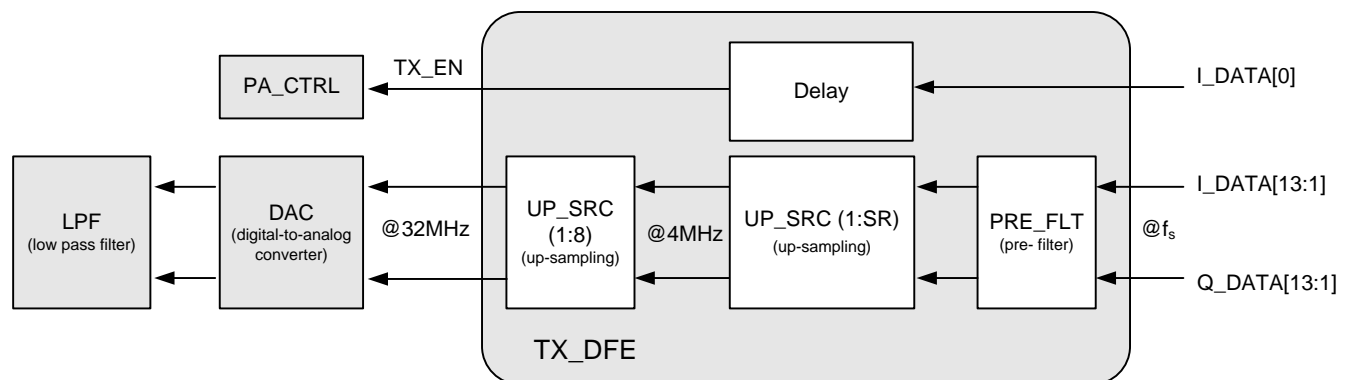
where SR is defined by the register [TXDFE.SR](#). The signal processing flow is depicted in [Figure 6-1](#).

The baseband signal at sampling frequency f_s can be pre-filtered at block PRE_FLT. A selection of suitable normalized cut-off frequencies f_{cut} ([TXDFE.RCUT](#)) is configurable. This filter stage can be utilized to relax interpolation complexity of the baseband processor (suppression of unwanted images). For $f_{cut} = 1$, the block is bypassed, reducing group delay.

Up-sampling from f_s to 4MHz is accomplished by UP_SRC(1:SR), employing a linear phase FIR interpolation filter, with normalized cut-off frequency $1/SR$.

Finally, up-sampling to the DAC sampling frequency of 32MHz is accomplished by UP_SRC(1:8), employing three stages of linear phase FIR filters with normalized cut-off frequency $1/2$.

Figure 6-1. TX Up-Sampling and Filtering



The overall signal processing delay depends on the register settings [TXDFE.RCUT](#) and [TXDFE.SR](#) as summarized in [Table 6-1](#).

Table 6-1. Transmit Processing Delay

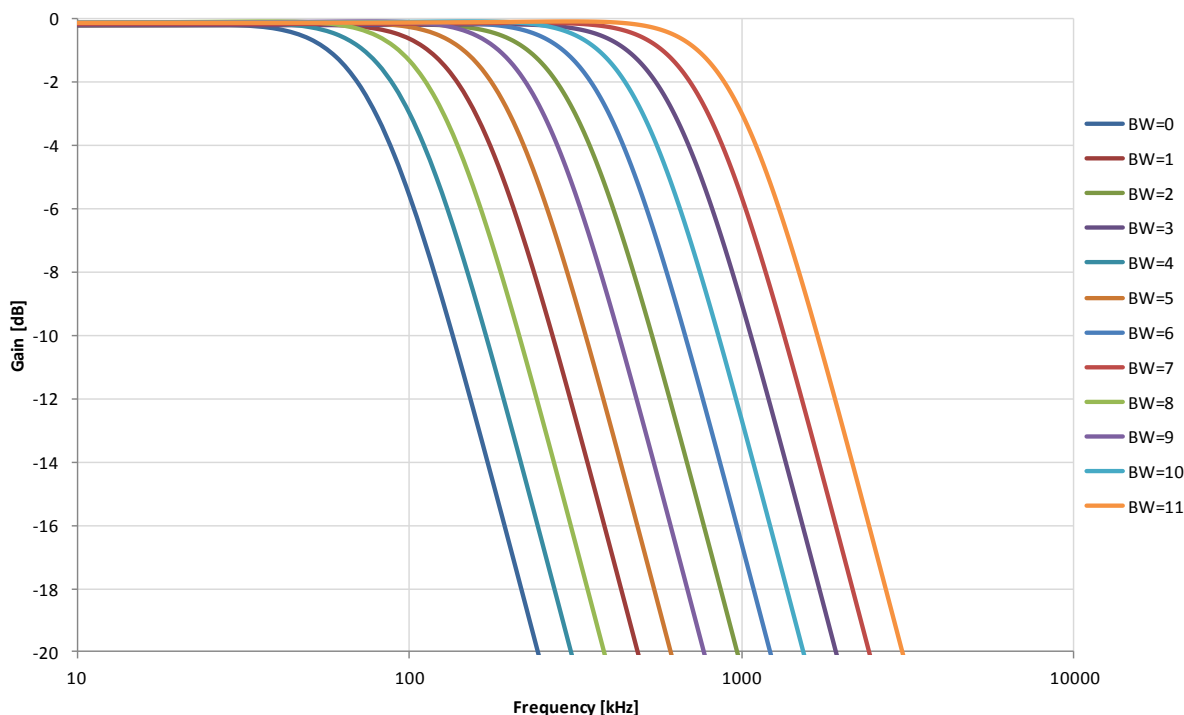
TXDFE.RCUT	TXDFE.SR	t_{tx_proc_delay} [μs]
0,1,2,3	1	4.0
	2	8.5
	3	11.0
	4	15.0
	5	18.5
	6	20.5
	8	28.5
	10	34.0
4	1	2.0
	2	4.0
	3	5.25
	4	6.25
	5	8.3
	6	8.5
	8	10.25
	10	13.75

The low-pass filter (LPF) following the DAC can be configured such that DAC images are sufficiently attenuated, see section ["Transmitter Analog Frontend"](#) below.

6.1.2 Transmitter Analog Frontend

The transmitter is based on a direct up-conversion architecture as shown in [Figure 1-1 on page 5](#). After the digital to analog converter (DAC) the I-signals and Q-signals are passed through analog 2nd order low-pass filters (LPF). The low-pass cut-off frequency can be set by register [TXCUTC.LPFCUT](#). A cut-off frequency range from 80kHz to 1000kHz is covered with uniform logarithmic stepping see [Figure 6-2](#). The cut-off frequency setting should be aligned with the bandwidth of the transmit signal depending on the data rate and modulation scheme selected, see section ["Transceiver Usage in Baseband Mode"](#) on page 169.

Figure 6-2. Transmitter Anti-Aliasing Low-Pass Filter Frequency Response



6.1.3 Power Amplifier

At transmit start and transmit end, the transmit power is ramped up and down within a specific time period to mitigate spurious signal emission in adjacent frequency bands. The power ramp time is adjustable to meet different applications and regulatory requirements. Spurious emissions are especially critical at band edges where the adjacent band is a restricted band with more stringent requirements. The power amplifier ramp time is adjustable by the sub-register [TXCUTC.PARAMP](#). The ramp curve of the power amplifier output magnitude resembles a non-linear curve (half sine shaped). The ramp time is independent on the TX power setting.

The TX power is adjustable with the sub-register [PAC.TXPWR](#) in about 1dB steps. The maximum TX power depends on the modulation scheme and the crest factor of the transmit signal. The nominal maximum TX power P_{TX} relates to a constant envelope modulation scheme like MR-FSK (see ["Transmitter Characteristics "](#) on page 190 and ["Output Power at Several Modulations "](#) on page 208). The maximum (average) transmit power of OFDM signals is about 5.5dB lower compared to a constant envelope signal since the OFDM peak power is mapped to the maximum output power that the PA can deliver to the load. The average OFDM transmit power is lower due to the signal's crest factor.

The bias current of the PA can be adjusted with the sub-register [PAC.PACUR](#) to reduce the transmitter supply current if lower transmit power settings are used. This feature is useful if the transmitter supply current will be minimized, see ["TX Current Consumption and Output Power at PAC.PACUR settings"](#) on page 211 for detailed information. The bias current stepping includes a transmitter small signal gain step of 1dB. The maximum transmit power is delivered with sub-register [PAC.PACUR](#) = 3.

A dedicated voltage regulator provides the power amplifier supply voltage. This supply voltage can be adjusted with the sub-register [AUXS.PAVC](#). It is recommended to set the supply voltage to 2.4V ([AUXS.PAVC](#) = 2, default) where the power amplifier delivers the maximum TX power.

6.1.4 Transmit Control

There are three different methods to control the transmitter:

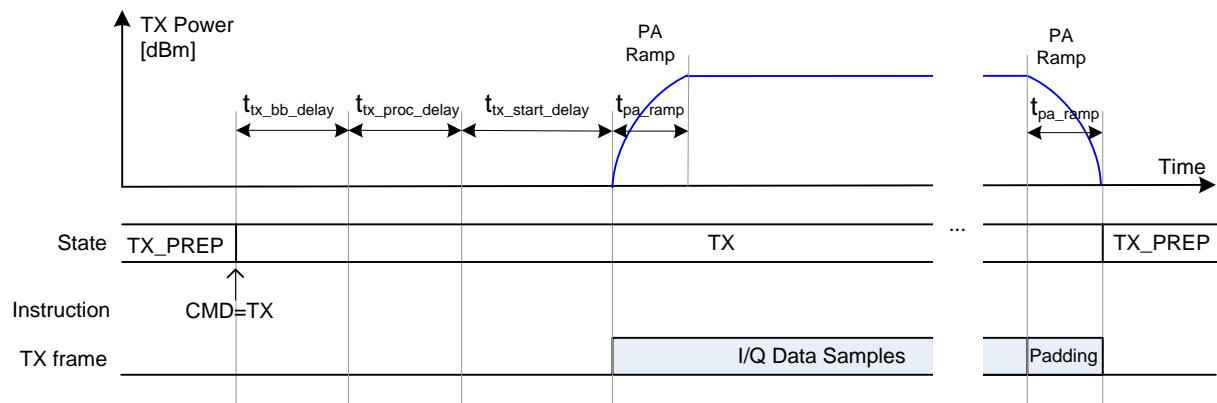
- Baseband mode
- I/Q radio mode with SPI control
- I/Q radio mode using embedded control

Baseband Mode

In the baseband mode (see "Operating Modes" on page 30), the alignment between transmitter signal ramp up/down and baseband data is automatically done by the baseband core.

Figure 6-3 shows the transmit timing diagram. From the state TXPREP, the transmission is started by writing the command TX to the register RFn_CMD. The state machine immediately changes to state TX.

Figure 6-3. Transmitter Control Timing Diagram for Baseband Mode



The actual frame start is delayed by internal processing delays:

- Transmit baseband processing delay $t_{tx_bb_delay}$, which is PHY mode dependent
- Transmit processing delay $t_{tx_proc_delay}$, which is dependent of the [Transmitter Digital Frontend](#)
- Transmitter start up delay $t_{tx_start_delay}$.

The start of the power amplifier ramp is automatically aligned to these delays. Table 6-2 shows the $t_{tx_bb_delay}$ for different PHY mode settings.

Table 6-2. Transmit Baseband Processing Delay

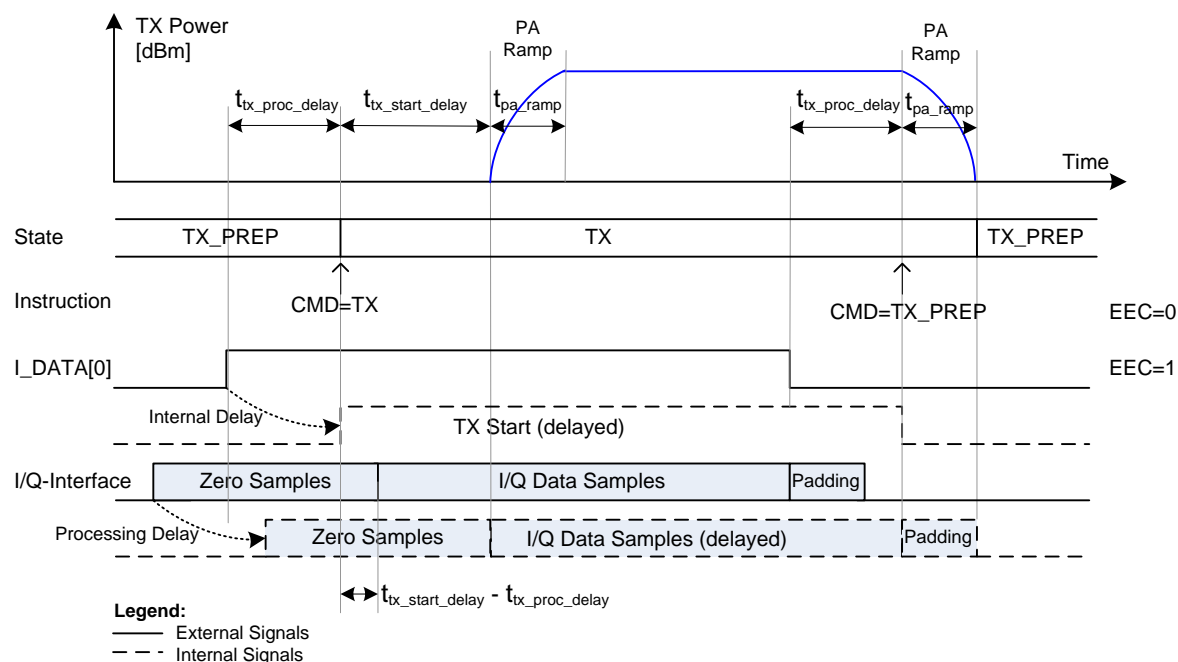
PC.PT	Condition	$t_{tx_bb_delay}$ [μ s]
1 MR-FSK	FSKC1.SRATE = 0	42
	FSKC1.SRATE = 1	21
	FSKC1.SRATE = 2	19
	FSKC1.SRATE = 3	11
	FSKC1.SRATE = 4	9.5
	FSKC1.SRATE = 5	5.5
2 MR-OFDM		<3.5
3 MR-OQPSK		<3.0

I/Q Radio Mode

In the I/Q radio mode, the alignment between the PA ramp and baseband data has to be controlled by the external microcontroller see "Word Format" on page 24.

Figure 6-4 shows the timing of control signals to start and end the transmit process including the data samples applied to the serial I/Q data interface. The transceiver must be in state TXPREP before transmission can be started.

Figure 6-4. Transmitter Control Timing Diagram for I/Q Radio Mode



In order to start transmitting, either the SPI command `RFn_CMD=TX` (while `RF_IQIFC0.EEC=0`) or the embedded control (i.e. `RF_IQIFC0.EEC=1`) in the I/Q data stream `I_DATA[0]=1` can be used. When transmitting is started, zero samples are sent at the serial I/Q data interface. The I/Q data samples of the I/Q data interface are subject to processing delay $t_{tx_proc_delay}$ (see Table 6-1 on page 44). In order to make the timing between TX start signal and I/Q data samples independent from this processing delay, the embedded TX start signal is internally delayed by the same time as the processing delay. The begin of the PA ramp-up is delayed by $t_{tx_start_delay}$ (see Table 10-7 on page 189). Consequently, the TX start signal has to appear $t_{tx_start_delay}$ earlier than the I/Q data samples if it is desired that the PA ramp fades the TX signal magnitude.

Note, that the TX start signal is not delayed by $t_{tx_proc_delay}$ if the SPI command is used. Consequently, the time between the SPI command and the begin of the data samples is $t_{tx_start_delay} - t_{tx_proc_delay}$ which may be positive or negative depending on the processing delay of the TX digital frontend.

The transmit process can be finished by the SPI command `CMD.CMD=TXPREP` if embedded control is not enabled (`RF_IQIFC0.EEC=0`). Alternatively, if embedded control is enabled (`RF_IQIFC0.EEC=1`), the transmit process is stopped if the embedded control bit in the I/Q data stream is zero (`I_DATA[0]=0`).

The beginning of the PA ramp-down is delayed by $t_{tx_proc_delay}$ to align it with the I/Q data samples. It is advisable to add padding samples in the I/Q data stream to provide a non-zero signal amplitude during PA ramp down.

The usage of the transmitter control in I/Q radio mode is also described in the section "Transmitter Usage in I/Q Radio Mode" on page 178.

6.1.5 Register Description

6.1.5.1 RFn_TXCUTC – Transmitter Filter Cutoff Control and PA Ramp Time

The register configures the transmitter filter and PA ramp time.

Bit	7	6	5	4	3	2	1	0	
	PARAMP		–	–	LPFCUT				RFn_TXCUTC
Read/Write	RW	RW	R	R	RW	RW	RW	RW	
Initial Value	0	0	0	0	1	0	0	0	

- **Bit 7:6 – TXCUTC.PARAMP: Power Amplifier Ramp Time**

The sub-register configures the ramp up/down time of the power amplifier.

Table 6-3. PARAMP

Sub-register	Name	Value	Description
PARAMP	RF_PARAMP4U	0x0	$t_{pa_ramp} = 4\mu s$
	RF_PARAMP8U	0x1	$t_{pa_ramp} = 8\mu s$
	RF_PARAMP16U	0x2	$t_{pa_ramp} = 16\mu s$
	RF_PARAMP32U	0x3	$t_{pa_ramp} = 32\mu s$

- **Bit 3:0 – TXCUTC.LPFCUT: Transmitter cut-off frequency**

The sub-register configures the transmitter low pass filter cut-off frequency.

Table 6-4. LPFCUT

Sub-register	Name	Value	Description
LPFCUT	RF_FLC80KHZ	0x0	$f_{LPFCUT} = 80kHz$
	RF_FLC100KHZ	0x1	$f_{LPFCUT} = 100kHz$
	RF_FLC125KHZ	0x2	$f_{LPFCUT} = 125kHz$
	RF_FLC160KHZ	0x3	$f_{LPFCUT} = 160kHz$
	RF_FLC200KHZ	0x4	$f_{LPFCUT} = 200kHz$
	RF_FLC250KHZ	0x5	$f_{LPFCUT} = 250kHz$
	RF_FLC315KHZ	0x6	$f_{LPFCUT} = 315kHz$
	RF_FLC400KHZ	0x7	$f_{LPFCUT} = 400kHz$
	RF_FLC500KHZ	0x8	$f_{LPFCUT} = 500kHz$
	RF_FLC625KHZ	0x9	$f_{LPFCUT} = 625kHz$
	RF_FLC800KHZ	0xA	$f_{LPFCUT} = 800kHz$
	RF_FLC1000KHZ	0xB	$f_{LPFCUT} = 1000kHz$

6.1.5.2 RFn_TXDFE – Transmitter TX Digital Frontend

The register configures the transmitter digital frontend.

Bit	7	6	5	4	3	2	1	0	
	RCUT			DM	SR				RFn_TXDFE
Read/Write	RW	RW	RW	RW	RW	RW	RW	RW	
Initial Value	0	0	0	0	0	0	0	1	

- **Bit 7:5 – TXDFE.RCUT: TX filter relative to the cut-off frequency**

The sub-register configures where the relative cut-off frequency f_{CUT} is set; where 1.0 refers to half the TXDFE sample frequency f_s .

Table 6-5. RCUT

Sub-register	Value	Description
RCUT	0x0	$f_{\text{CUT}}=0.25 * f_s/2$
	0x1	$f_{\text{CUT}}=0.375 * f_s/2$
	0x2	$f_{\text{CUT}}=0.5 * f_s/2$
	0x3	$f_{\text{CUT}}=0.75 * f_s/2$
	0x4	$f_{\text{CUT}}=1.00 * f_s/2$

- **Bit 4 – TXDFE.DM: Direct Modulation**

If this sub-register is set to 1 the transmitter direct modulation is enabled. Direct modulation is available for FSK and OQPSK (OQPSKC0.FCHIP=0;1). Direct modulation must also be enabled at the BBCx registers (FSKDM.EN and OQPSKC0.DM).

- **Bit 3:0 – TXDFE.SR: TX Sample Rate**

The sub-register configures the sampling frequency of the incoming transmit signal. Undefined values are mapped to the default setting of $f_s=4000\text{kHz}$.

Table 6-6. SR

Sub-register	Value	Description
SR	0x1	$f_s=4000\text{kHz}$
	0x2	$f_s=2000\text{kHz}$
	0x3	$f_s=(4000/3)\text{kHz}$
	0x4	$f_s=1000\text{kHz}$
	0x5	$f_s=800\text{kHz}$
	0x6	$f_s=(2000/3)\text{kHz}$
	0x8	$f_s=500\text{kHz}$
	0xA	$f_s=400\text{kHz}$

6.1.5.3 RFn_PAC – Transmitter Power Amplifier Control

The register sets the transmitter output power and controls the power amplifier bias current.

Bit	7	6	5	4	3	2	1	0	
	-	PACUR			TXPWR				RFn_PAC
Read/Write	R	RW	RW	RW	RW	RW	RW	RW	
Initial Value	0	1	1	1	1	1	1	1	

- **Bit 6:5 – PAC.PACUR: Power Amplifier Current Control**

PACUR configures the power amplifier DC current (useful for low power settings).

Table 6-7. PACUR

Sub-register	Value	Description
PACUR	0x0	Power amplifier current reduction by about 22mA (3dB reduction of max. small signal gain)
	0x1	Power amplifier current reduction by about 18mA (2dB reduction of max. small signal gain)
	0x2	Power amplifier current reduction by about 11mA (1dB reduction of max. small signal gain)
	0x3	No power amplifier current reduction (max. transmit small signal gain)

- **Bit 4:0 – PAC.TXPWR: Transmitter Output Power**

TXPWR controls the transmit output power setting. Maximum output power is TXPWR=31, minimum output power is TXPWR=0. The output power can be set by about 1dB step resolution. Refer to section "Output Power" in section "Typical Characteristics" for detailed output power information and charts.

Table 6-8. TXPWR

Sub-register	Value	Description
TXPWR	0x00	minimum output power
	...	about 1dB steps
	0x1F	maximum output power

6.1.5.4 RFn_AUXS – Transceiver Auxiliary Settings

The register controls transceiver auxiliary settings.

Bit	7	6	5	4	3	2	1	0	
	EXTLNAB YP	AGCMAP		AVEXT	AVEN	AVS	PAVC		RFn_AUXS
Read/Write	RW	RW	RW	RW	RW	R	RW	RW	
Initial Value	0	0	0	0	0	0	1	0	

- **Bit 1:0 – AUXS.PAVC: Power Amplifier Voltage Control**

The sub-register controls the supply voltage of the internal power amplifier.

Table 6-9. PAVC

Sub-register	Value	Description
PAVC	0x0	2.0V
	0x1	2.2V
	0x2	2.4V

6.1.5.5 RF_IQIFC0 – Transceiver I/Q Data Interface Configuration Register 0

The register configures the I/Q data interface.

Bit	7	6	5	4	3	2	1	0	
(0x000A)	EXTLB	SF	DRV		CMV		CMV1V2	EEC	RF_IQIFC0
Read/Write	RW	R	RW	RW	RW	RW	RW	RW	
Initial Value	0	0	0	1	0	1	0	0	

- **Bit 0 – RF_IQIFC0.EEC: I/Q IF Enable Embedded TX Start Control**

The bit enables the ability to start and finish transmitting by a control bit within the I/Q data stream (I_DATA[0]). If this bit is set to 1, the transmit start and finish cannot be controlled by SPI commands.

Table 6-10. EEC

Sub-register	Value	Description
EEC	<u>0x0</u>	Embedded control is not enabled.
	0x1	Embedded control is enabled.

6.2 Receiver Frontend

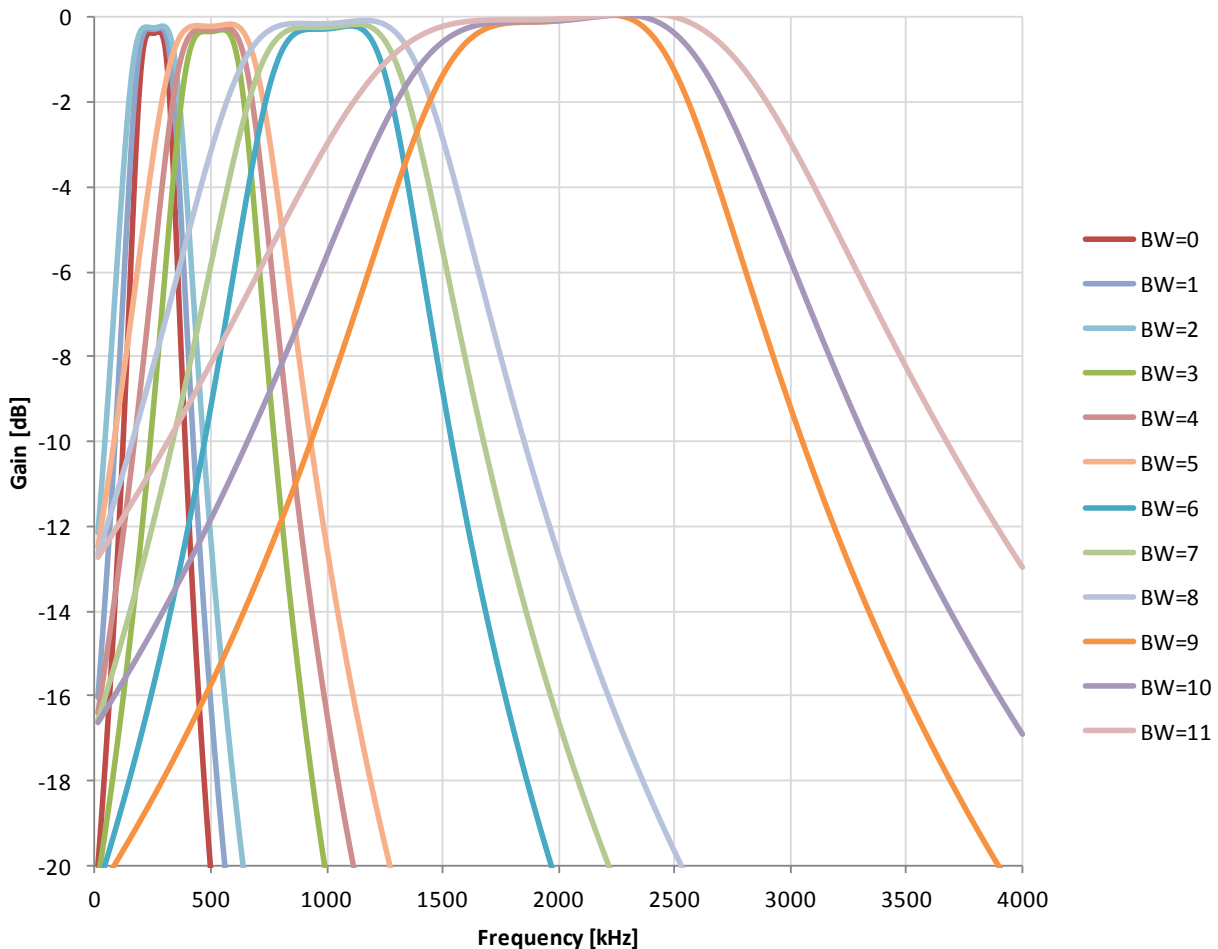
For configuration of the receiver frontend the transceiver must be in the [State TRXOFF](#).

6.2.1 Receiver Analog Frontend

After passing a low-noise amplifier (LNA) the received signal is down-converted to a low intermediate frequency (IF). A variable IF in combination with variable band-pass filtering provides flexibility with respect to channel selection at different channel spacing. In addition to the analog channel filter, there is a digital channel filter after the ADC which is described in section "[Receiver Digital Frontend](#)".

The band-pass filter frequency response follows a 2nd order Butterworth characteristic (see [Figure 6-5](#)) and provides adjacent channel signal attenuation prior to the analog to digital conversion. The band-pass filter 3dB cut-off frequency can be set by sub-register [RXBWC.BW](#) which also sets the used IF. Three different bandwidth settings are possible for each IF. The range from 160kHz to 2000kHz is covered with uniform logarithmic stepping.

Figure 6-5. Receiver Analog Band-Pass Filter Frequency Response



Independent of the bandwidth setting of the band-pass filter, the IF can be increased by a factor of 1.25 by setting sub-register [RXBWC.IFS](#) to 1. This leads to a set of IF values of 320, 640, 1250 and 2500kHz. The increased IF allows the receiver to adapt to different channel schemes.

Both, the bandwidth and the IF shift setting, do not only determine the IF of the band-pass filter, but also switches the PLL to the frequency needed to run the receiver on the selected IF frequency. No extra PLL settings are necessary in regards to the IF.

6.2.2 Receiver Digital Frontend

The purpose of the Receiver Digital Frontend (RX_DFE) is discrete time sampling rate conversion of the complex baseband signal at the I/Q ADC interface. In addition, Automatic Gain Control (AGC) and estimation of the Received Signal Strength Indicator (RSSI) are provided by the RX_DFE. The signal processing flow is depicted in Figure 6-6.

The analog to digital converter (ADC) provides the raw data of the complex low-IF baseband signal at a sampling frequency of 32MHz. At a first stage, the raw data is down-sampled to the sampling frequency of 4MHz (block DOWN_SRC(1:8)) and converted to zero-IF (DOWN_MIX). Depending on the configuration register RXDFE.SR, the signal is further down-sampled to the target receive sampling frequency:

$$f_s = \frac{4}{SR} \text{ MHz}$$

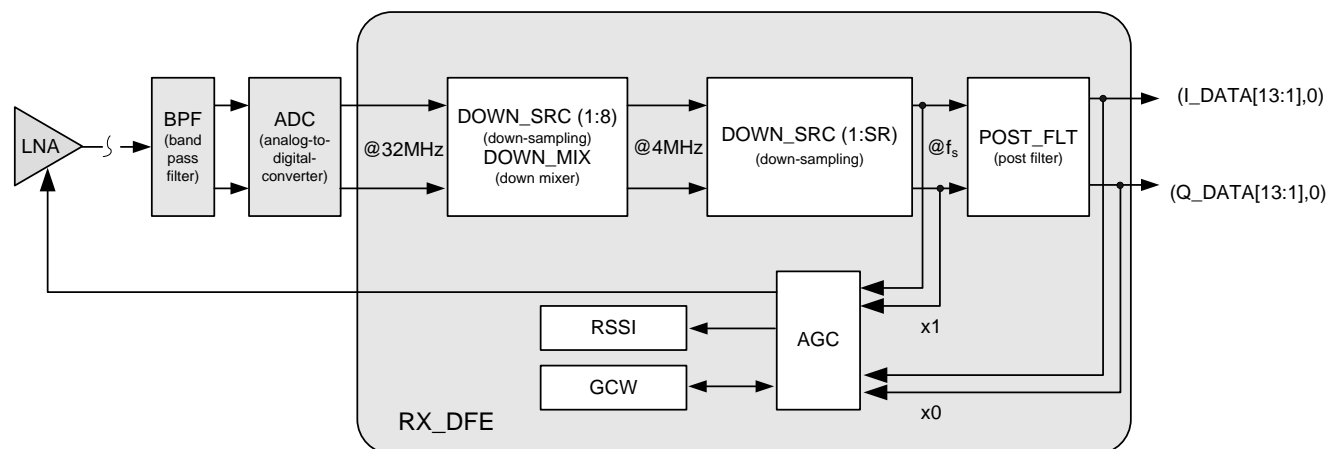
This is accomplished by block DOWN_SRC(1:SR), employing a linear phase FIR decimation filter with normalized cut-off frequency 1/SR.

The discrete time baseband signal can be further filtered by block POST_FLT. A selection of suitable normalized cut-off frequencies f_{cut} (RXDFE.RCUT) is available. This filter can be used for attenuation of out-of-band signals (such as adjacent channels).

The AGC can be configured such that either the baseband signal prior to POST_FLT (signal x1) or the output signal of POST_FLT (signal x0) is used for power estimation, see Figure 6-6. This is described in more detail in the section "Automatic Gain Control (AGC)" below.

The RX I/Q output interface consists of data words I_DATA[13:0] and Q_DATA[13:0]. The actual baseband signal data of the in-phase and quadrature signals is contained in sub-fields I_DATA[13:1] and Q_DATA[13:1], respectively. Each sub-field is interpreted as a 13-bit two's complement signed value with {I,Q}_DATA[13] being the sign bit and {I,Q}_DATA[1] being the least significant bit. The field entries {I,Q}_DATA[0] are reserved bits and set to 0.

Figure 6-6. RX Down-Sampling and Filtering

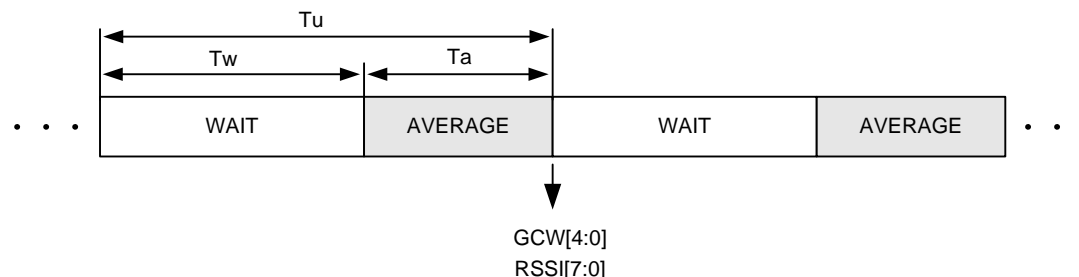


6.2.3 Automatic Gain Control (AGC)

The Automatic Gain Control (AGC) of the AT86RF215 is a discrete time regulation loop.

As shown in Figure 6-6, either the variance of the signal x1 ([AGCC.AGCI](#) set to 1) or the variance of the signal x0 ([AGCC.AGCI](#) set to 0) is measured and compared with a target variance. If the control loop is enabled (sub-register [AGCC.EN](#) is set to 1), the gain of the LNA is set to aim for a vanishing control deviation. Figure 6-7 illustrates the update process of the AGC.

Figure 6-7. AGC Update Process



Initially, the AGC performs a wait period for the duration T_w . This wait period is required to assure sufficient settling time of the LNA gain changes through the whole receive path. In addition, the variance of the reference signal is estimated by averaging complex magnitude values over time T_a . The averaging duration can be configured by the sub-register [AGCC.AVGS](#) which depends on the sampling frequency specified by the sub-register [RXDFE.SR](#). At the end of each update period, a new gain control word GCW is stored in the register [AGCS.GCW](#). The gain control word GCW can take discrete values from $\{0, 1, \dots, g_{\max}\}$, where each step corresponds to 3dB receiver gain change. As shown in Table 6-11, the maximum value g_{\max} depends on the sub-register setting [RXBWC.BW](#), see section "Receiver Analog Frontend" on page 52.

Table 6-11. AGC Maximum Gain Control Value

RXBWC.BW	g_{\max}
0x0, 0x1, 0x2	21
0x3, 0x4, 0x5	21
0x6, 0x7, 0x8	22
0x9, 0xA, 0xB	23

It is recommended using the reference signal x0 after filtering ([AGCC.AGCI](#) set to 0), since `POST_FLT` reduces signal parts of possibly adjacent channels. However, the disadvantage compared to the usage of reference signal x1 is, that time T_w is larger (due to the group-delay of `POST_FLT`) and as a consequence, the overall AGC update period takes longer. For details, refer to Table 6-12.

The update of the gain control word GCW and, consequently, feedback to the LNA can be suspended by freezing the AGC (sub-register [AGCC.FRZC](#) set to 1). This is usually desirable if a preamble has been detected and the data path should not be further impacted by LNA gain changes. If the baseband core is enabled, the AT86RF215 automatically takes care of AGC freeze and its release, see section "Baseband Core" on page 81. In this case, information on AGC freeze and AGC release can be observed by the sub-register [AGCC.FRZS](#) and the interrupt signals AGCH and AGCR, respectively, see section "Interrupts" on page 38.

The AGC target value can be configured by the sub-register [AGCS.TGT](#). A low AGC target value is usually recommended, since it improves robustness against adjacent channel interferers. However, a low target value decreases the signal to noise ratio (SNR) of the data path and the residual dynamic range with respect to deep fades.

If the AGC is not enabled ($AGCC.EN=0$), the receiver gain can be directly controlled by writing to the sub-register [AGCS.GCW](#).

Since the dynamic range of the receiver is limited to the number of gain steps, the AGC target level cannot be reached for all receive input power levels. Therefore, an external baseband processor should be capable of utilizing the entire dynamic range of the ADC. Note, that the sub-cores of the baseband (see section "[Baseband Core](#)" on page 81) contain a specific normalization unit to achieve that.

[Table 6-12](#) summarizes the update time T_u as a function of the sub-register settings [AGCC.AGCI](#), [RXDFE.SR](#) and [AGCC.AVGS](#).

Table 6-12. AGC Update Time T_u in μs for $AGCC.AGCI=\{1\}/\{0\}$

AGCC.AVGS	RXDFE.SR							
	10	8	6	5	4	3	2	1
0	45/65	42/48	31.5/43.5	26.25/36.25	21/29	15.75/21.75	10.5/14.5	6.75/8.75
1	65/85	58/74	43.5/55.5	36.25/46.25	29/37	21.75/27.75	14.5/18.5	8.75/10.75
2	105/125	90/106	67.5/79.5	56.25/66.25	45/53	33.75/39.75	22.5/26.5	12.75/14.75
3	185/205	154/170	115.5/127.5	96.25/106.25	77/85	57.75/63.75	38.5/42.5	20.75/22.75

The AT86RF215 supports operation with an external LNA. In this case, the behavior of the AGC depends on the ability to bypass the external LNA. If the external LNA can be bypassed ([AUXS.EXTLNABYP](#) is set to 1), the gain of the internal LNA is reduced by the amount of the external LNA gain (9dB if [AUXS.AGCMAP](#) is set to 1, 12dB if [AUXS.AGCMAP](#) is set to 2) in case $GCW > 17$. For $GCW \leq 17$, the external LNA is bypassed and the internal LNA operates as usual. If the external LNA cannot be bypassed ([AUXS.EXTLNABYP](#) is set to 0), the AGC accommodates the gain of the external LNA if applicable. Note, that in this case, the tolerance with regard to the receiver maximum input level is reduced by the amount of gain of the external LNA, see "[External Frontend Control](#)" on page 70.

Radio Signal Strength Indicator (RSSI)

Irrespective of the AGC freeze, the update process ([Figure 6-7](#)) is continued in order to update the RSSI value which is an estimate of the current receive power in dBm with values from $\{-127, -126, \dots, 3, 4\}$. This value is stored to the sub-register [RFn_RSSI](#). A value of 127 indicates an invalid RSSI value.

After reaching state RX, a time t_{RX_RSSI} has to elapse until the first valid RSSI value is available. The time t_{RX_RSSI} is listed in [Table 6-13](#) and can be calculated by:

$$t_{RX_RSSI} = 8.0\mu s \cdot RXDFE.SR + T_u.$$

Table 6-13. Time t_{RX_RSSI} in μs until valid RSSI values available after reaching state RX (for $AGCC.AGCI=\{1\}/\{0\}$)

AGCC.AVGS	RXDFE.SR							
	10	8	6	5	4	3	2	1
0	125/145	106/112	79.5/91.5	66.25/76.25	53/61	39.75/45.75	26.5/30.5	14.75/16.75
1	145/165	122/138	91.5/103.5	76.25/86.25	61/69	45.75/51.75	30.5/34.5	16.75/18.75
2	185/205	154/170	115.5/127.5	96.25/106.25	77/85	57.75/63.75	38.5/42.5	20.75/22.75
3	265/285	218/234	163.5/175.5	136.25/146.25	109/117	81.75/87.75	54.5/58.5	28.75/30.75

6.2.4 Energy Measurement

The energy measurement module can be used as part of a channel selection algorithm, such as energy detection (ED) scan procedure, or as part of a clear channel assessment procedure (CCA). The AT86RF215 energy detection module is characterized by:

- Wide measurement range
- 1dB resolution
- Three different energy measurement modes
- Configurable energy detection averaging duration
- Current Received Signal Strength Indicator (RSSI) value

The AGC module forms the basis for the energy measurement module. For further information see section "[Automatic Gain Control \(AGC\)](#)" on page 53. If the receiver is enabled ([State RX](#)), the AGC measures the energy on the configured channel and the result is stored to the register [RFn_RSSI](#).

The provided RSSI values are used by the energy measurement module to generate an average value.

The energy measurement module supports three different modes

- Automatic measurement (default mode)
- Single measurement
- Continuous measurement.

The desired measurement mode is configured in register [RFn_EDC](#). For all measurement modes, the measurement averaging duration is set by register [RFn_EDD](#). The averaging duration should be greater than the minimum AGC update time, see [Table 6-12 on page 55](#) for further information. Measurements are only executed if the transceiver is in the [State RX](#).

Automatic Measurement Mode

Using the baseband mode in the automatic measurement mode, an energy measurement is triggered automatically by the baseband for an incoming frame. Once the baseband holds the AGC, the measurement period is started. In case the ongoing frame reception is cancelled by the internal baseband or by leaving the state RX, the energy measurement is cancelled as well. The internal baseband cancels the measurement if it detects that the received frame is invalid or if the frame end is detected. If the measurement is completed, the averaging result can be read from the register [RFn_EDV](#) and is valid until the next interrupt [IRQS.RXFS](#). For a cancelled measurement the register [RFn_EDV](#) contains either an incorrect value or an invalid value, i.e. 127. Following this approach, for each completely received frame an energy value is available, the end of the automatically triggered measurement is not signaled by the interrupt [IRQS.EDC](#).

The automatic measurement mode can also be used in the I/Q radio mode. The energy measurement is triggered by setting the bit [AGCC.FRZC](#) to 1. After the completion of the measurement period ([RFn_EDD](#)), the result can be read from the register [RFn_EDV](#). If the bit [AGCC.FRZC](#) is set to 0 while the measurement duration is not completed, the measurement is stopped and the result is invalid.

Single and Continuous Measurement Mode

If energy measurement shall be started independent from frame reception in the baseband mode or I/Q radio mode, the single or continuous measurement mode can be used. For example, the single measurement mode can be used for a single measurement period as required during the CCA procedure. The continuous measurement mode can be used for a series of measurement cycles as required for an ED scan.

If the single or continuous measurement mode is used in the baseband mode, it is recommended to disable the baseband before entering the **State RX** to avoid any frame detection/decoding by the baseband during the measurement period. The baseband is disabled by setting bit **PC.BBEN** to 0.

Before the energy measurement can be started, the radio needs to be in the **State RX**. The measurement is triggered by writing the value 1 (for single mode) or 2 (for continuous mode) to the sub-register **EDC.EDM**.

Once the measurement averaging period is completed in the single or continuous mode, the interrupt **IRQS.EDC** is issued and the measurement result can be read from the register **RFn_EDV**. The result is valid until a next measurement is started.

The single measurement mode ends with issuing the interrupt **IRQS.EDC** and the energy detection mode is reset automatically to its default value (automatic mode). If the baseband is enabled, an incoming signal may trigger an automatic ED measurement and the previous measured ED value stored in the register **RFn_EDV** is updated.

In the continuous measurement mode, the measurement is not stopped with the completion of the first measurement period. It continues with measuring periods until the energy detection mode value (**RFn_EDC**) is set to 0 or the state **RX** is left. Every time the measurement averaging period is completed, the result is stored to the register **RFn_EDV** and the interrupt **IRQS.EDC** is issued. If a previous result is not read before the next measurement period provides the next result, the previous register value is overwritten. The default measurement mode (i.e. automatic mode) is set automatically if the continuous mode is stopped by leaving the **State RX**.

6.2.5 Register Description

6.2.5.1 RFn_RXBWC – Receiver Filter Bandwidth Control

The register configures the receiver filter settings.

Bit	7	6	5	4	3	2	1	0	
	–	–	IFI	IFS	BW				RFn_RXBWC
Read/Write	R	R	RW	RW	RW	RW	RW	RW	
Initial Value	0	0	0	0	1	0	1	1	

- **Bit 5 – RXBWC.IFI: IF Inversion**

A value of one configures the receiver to implement the inverted-sign IF frequency. Use default setting for normal operation.

- **Bit 4 – RXBWC.IFS: IF Shift**

A value of one configures the receiver to shift the IF frequency by factor of 1.25. This is useful to place the image frequency according to channel scheme.

- **Bit 3:0 – RXBWC.BW: Receiver Bandwidth**

The sub-register controls the receiver filter bandwidth settings.

Table 6-14. BW

Sub-register	Name	Value	Description
BW	RF_BW160KHZ_IF250KHZ	0x0	f _{BW} =160kHz; f _{IF} =250kHz
	RF_BW200KHZ_IF250KHZ	0x1	f _{BW} =200kHz; f _{IF} =250kHz
	RF_BW250KHZ_IF250KHZ	0x2	f _{BW} =250kHz; f _{IF} =250kHz
	RF_BW320KHZ_IF500KHZ	0x3	f _{BW} =320kHz; f _{IF} =500kHz
	RF_BW400KHZ_IF500KHZ	0x4	f _{BW} =400kHz; f _{IF} =500kHz
	RF_BW500KHZ_IF500KHZ	0x5	f _{BW} =500kHz; f _{IF} =500kHz
	RF_BW630KHZ_IF1000KHZ	0x6	f _{BW} =630kHz; f _{IF} =1000kHz
	RF_BW800KHZ_IF1000KHZ	0x7	f _{BW} =800kHz; f _{IF} =1000kHz
	RF_BW1000KHZ_IF1000KHZ	0x8	f _{BW} =1000kHz; f _{IF} =1000kHz
	RF_BW1250KHZ_IF2000KHZ	0x9	f _{BW} =1250kHz; f _{IF} =2000kHz
	RF_BW1600KHZ_IF2000KHZ	0xA	f _{BW} =1600kHz; f _{IF} =2000kHz
	RF_BW2000KHZ_IF2000KHZ	0xB	f _{BW} =2000kHz; f _{IF} =2000kHz

6.2.5.2 RFn_RXDFE – Receiver Digital Frontend

The register configures the receiver digital frontend.

Bit	7	6	5	4	3	2	1	0	
	RCUT			–	SR				RFn_RXDFE
Read/Write	RW	RW	RW	R	RW	RW	RW	RW	
Initial Value	0	0	0	0	0	0	0	1	

- **Bit 7:5 – RXDFE.RCUT: RX filter relative cut-off frequency**

The sub-register configures the relative cut-off frequency f_{CUT}; where 1.0 refers to half the sample frequency f_s.

Table 6-15. RCUT

Sub-register	Value	Description
RCUT	0x0	f _{CUT} =0.25 *f _s /2
	0x1	f _{CUT} =0.375 *f _s /2
	0x2	f _{CUT} =0.5 *f _s /2
	0x3	f _{CUT} =0.75 *f _s /2
	0x4	f _{CUT} =1.00 *f _s /2

- **Bit 3:0 – RXDFE.SR: RX Sample Rate**

The sub-register configures the sampling frequency of the received signal. Undefined values are mapped to default setting f_s=4000kHz.

Table 6-16. SR

Sub-register	Value	Description
SR	0x1	f _S =4000kHz
	0x2	f _S =2000kHz
	0x3	f _S =(4000/3)kHz
	0x4	f _S =1000kHz
	0x5	f _S =800kHz
	0x6	f _S =(2000/3)kHz
	0x8	f _S =500kHz
	0xA	f _S =400kHz

6.2.5.3 RFn_AGCC – Receiver AGC Control 0

The register controls the transceiver automatic gain control (AGC).

Bit	7	6	5	4	3	2	1	0	
	–	AGCI	AVGS		RST	FRZS	FRZC	EN	RFn_AGCC
Read/Write	RW	RW	RW	RW	RW	R	RW	RW	
Initial Value	1	0	0	0	0	0	0	1	

- **Bit 6 – AGCC.AGCI: AGC Input**

This bit controls the input signal of the AGC. If this bit is zero, the filtered (after channel filter) front end signal is used. Otherwise the unfiltered signal is used which enables the AGC to settle faster.

- **Bit 5:4 – AGCC.AVGS: AGC Average Time in Number of Samples**

The time of averaging RX data samples for the AGC values is defined by number of samples.

Table 6-17. AVGS

Sub-register	Value	Description
AVGS	0x0	8 samples
	0x1	16 samples
	0x2	32 samples
	0x3	64 samples

- **Bit 3 – AGCC.RST: AGC Reset**

A value of one resets the AGC and sets the maximum receiver gain. After command execution, the bit is reset automatically.

- **Bit 2 – AGCC.FRZS: AGC Freeze Status**

A value of one indicates that the AGC is on hold. The AGC can be put on hold either automatically by the baseband core or by writing a value of one to the AGC freeze control bit FRZC. The AGC is released by the baseband or if the FRZC bit is set to 0.

- **Bit 1 – AGCC.FRZC: AGC Freeze Control**

A value of one forces the AGC to freeze to its current value. A value of zero releases the AGC.

- **Bit 0 – AGCC.EN: AGC Enable**

A value of one enables the automatic gain control; a value of zero allows a manual setting of the RX gain control by sub-register AGCS.GCW.

6.2.5.4 RFn_AGCS – Receiver AGCG

The register controls the AGC and the receiver gain.

Bit	7	6	5	4	3	2	1	0	
	TGT				GCW				RFn_AGCS
Read/Write	RW	RW	RW	RW	RW	RW	RW	RW	
Initial Value	0	1	1	1	0	1	1	1	

- **Bit 7:5 – AGCS.TGT: AGC Target Level**

This sub-register sets the AGC target level relative to ADC full scale.

Table 6-18. TGT

Sub-register	Value	Description
TGT	0x0	Target=-21dB
	0x1	Target=-24dB
	0x2	Target=-27dB
	0x3	Target=-30dB
	0x4	Target=-33dB
	0x5	Target=-36dB
	0x6	Target=-39dB
	0x7	Target=-42dB

- **Bit 4:0 – AGCS.GCW: RX Gain Control Word**

If AGCC_EN is set to 1, a read of bit AGCS.GCW indicates the current receiver gain setting. If AGCC_EN is set to 0, a write access to GCW manually sets the receiver gain. An integer value of 23 indicates the maximum receiver gain; each integer step changes the gain by 3dB.

6.2.5.5 RFn_RSSI – Received Signal Strength Indicator

This register contains the Received Signal Strength Indicator value.

Bit	7	6	5	4	3	2	1	0	
	RSSI								RFn_RSSI
Read/Write	R	R	R	R	R	R	R	R	
Initial Value	0	1	1	1	1	1	1	1	

- **Bit 7:0 – RSSI.RSSI: Received Signal Strength Indicator**

This register contains the RSSI value of the selected radio channel and bandwidth. The value reflects the received signal power in dBm. A value of 127 indicates that the RSSI value is invalid. The register value presents a signed integer value (value range -127...+4) using twos complement representation.

6.2.5.6 RFn_EDC – Energy Detection Configuration

The register configures the energy detection measurement mode.

Bit	7	6	5	4	3	2	1	0		
	EDM									RFn_EDC
Read/Write	R	R	R	R	R	R	RW	RW		
Initial Value	0	0	0	0	0	0	0	0		

- **Bit 1:0 – EDC.EDM: Energy Detection Mode**

Table 6-19. EDM

Sub-register	Name	Value	Description
EDM	RF_EDAUTO	0x0	EDAUTO: Energy detection measurement is automatically triggered if the AGC is held by the internal baseband or by setting bit FRZC.
	RF_EDSINGLE	0x1	EDSINGLE: A single energy detection measurement is started.
	RF_EDCONT	0x2	EDCONT: A continuous energy detection measurements of configured interval defined in register EDD is started.
	RF_EDOFF	0x3	EDOFF: Energy detection measurement is disabled.

6.2.5.7 RFn_EDD – Receiver Energy Detection Averaging Duration

The register contains the averaging duration of RSSI values for energy detection calculation.

Bit	7	6	5	4	3	2	1	0		
	DF						DTB			RFn_EDD
Read/Write	RW	RW	RW	RW	RW	RW	RW	RW		
Initial Value	0	1	0	0	0	0	0	1		

- **Bit 7:2 – EDD.DF: Receiver energy detection duration factor**

The factor of the averaging time is defined. The averaging time is calculated by $T[\mu\text{s}] = \text{DF} * \text{DTB}$.

- **Bit 1:0 – EDD.DTB: Receiver energy detection average duration time basis**

The time basis of averaging RSSI values is defined.

Table 6-20. DTB

Sub-register	Value	Description
DTB	0x0	2 μs
	0x1	8 μs
	0x2	32 μs
	0x3	128 μs

6.2.5.8 RFn_EDV – Receiver Energy Detection Value

The register contains the averaged energy detection value.

Bit	7	6	5	4	3	2	1	0	
	EDV								RFn_EDV
Read/Write	R	R	R	R	R	R	R	R	
Initial Value	0	1	1	1	1	1	1	1	

- **Bit 7:0 – EDV.EDV: Receiver energy detection value**

The register contains the averaged energy detection value. The register value presents a signed integer value (value range -127...+4).

6.3 Frequency Synthesizer (PLL)

6.3.1 Overview

The frequency synthesizer generates the RF frequency which is used during the transmit process to convert the baseband signal to an RF signal. During the receive process, the generated RF frequency is used to mix down the received RF signal to a low IF signal.

Two separate frequency synthesizers are implemented in the AT86RF215, one for the sub-1GHz transceiver and one for the 2.4GHz transceiver. The reference clocks for both fractional-N based synthesizers are derived from the 26MHz clock at pin TCXO. The PLLs and their filters are fully integrated; no external components are required for frequency synthesis.

Table 6-21. Frequency Ranges and Resolutions

Frequency range	Frequency resolution	Comment
389.5MHz ... 510MHz	≈100Hz (6.5MHz/2 ¹⁶)	Sub-1GHz transceiver, valid for CNM.CM equal to 0 or 1
779MHz...1020MHz	≈200Hz (13.0MHz/2 ¹⁶)	Sub-1GHz transceiver, valid for CNM.CM equal to 0 or 2
2400MHz...2483.5MHz	≈400Hz (26.0MHz/2 ¹⁶)	2.4GHz transceiver, valid for CNM.CM equal to 0 or 3

Notes: In the range from 409.5 to 416MHz and from 819 to 832MHz the performance in regards to receiver sensitivity and transmitter quality is decreased due to the increased phase noise.

The PLLs operate at **State TXPREP**, **State TX** and **State RX**, refer to [Figure 5-5 on page 33](#).

When reaching **State TXPREP** from **State TRXOFF**, interrupt **IRQS.TRXRDY** is generated. It indicates that the PLL is locked, the analog modules are settled and the transceiver is ready to transmit.

The PLL is automatically frequency tuned:

- During the transition from **State TRXOFF** to **State TXPREP** (after the general calibrations described in section ["Analog Calibrations" on page 80](#) .), refer to transition time t_{TRXOFF_TXPREP} in section ["Electrical Characteristics" on page 187](#).
- If the channel frequency registers are written in **State TXPREP** and the PLL locks, the interrupt **IRQS.TRXRDY** is generated. The tuning time depends on the channel step size, refer to $t_{PLL_CH_SW}$.
- Switching the transceiver from **State TRXOFF** to **State TXPREP** or **State RX**.

If the PLL unlocks, the interrupt **IRQS.TRXERR** is generated. Interrupt **IRQS.TRXERR** does not cause any state change. The PLL locks autonomously again which is indicated by interrupt **IRQS.TRXRDY**. A new PLL settling process can be triggered by switching the transceiver to **State TRXOFF** and then back to **State TXPREP** or **State RX**. The PLL lock status is indicated by the sub-register **PLL.LS**.

6.3.2 Channel Configuration

The channel frequency must be configured in **State TRXOFF** using registers **RFn_CS**, **RFn_CCF0H**, **RFn_CCF0L**, **RFn_CNL**, **RFn_CNM**. Within in the same frequency range (see [Table 6-21 above](#)) the channel frequency can also be changed in **State TXPREP**. A write access to the register **RFn_CNM** applies the current channel register values and makes the frequency changes effective. If register **RFn_CNM** is not written the channel frequency is not changed. The register **RFn_CNM** must always be written last.

The channel can be configured by two different schemes:

- IEEE-compliant scheme defined in [3](clause 8.1.2 “Channel assignments”)
- Fine resolution scheme

IEEE-compliant Scheme (CNM.CM=0)

The IEEE-compliant channel scheme refers to Table 68d and Table 68e of [3]. It is enabled if sub-register CNM.CM is set to 0 (default). The channel frequency is calculated as follows:

$$f_{channel} = (CCF0 + CN \cdot CS) \cdot 25\text{kHz} + f_{offset}$$

The channel center frequency base value **CCF0** is a 16-bit value. The register RFn_CCF0H contains the high byte and the register RFn_CCF0L the low byte value. The frequency resolution is 25kHz.

The channel number **CN** is a 9-bit value. The register RFn_CNL contains the low byte value and bit 9 is the value of sub-register CNM.CNH.

The channel spacing **CS** is an 8-bit value. The value has a resolution of 25kHz. The register RFn_CS has to be set accordingly.

The frequency f_{offset} is 0Hz for the sub-1GHz transceiver frequency channels (RF09). For the 2.4GHz transceiver (RF24) the frequency f_{offset} is 1.5GHz.

Example: OFDM (option 1), channel 2 in the 863MHz band is configured as follows:

- The base frequency is 863.625MHz.
 $CCF0H.CCF0H, CCF0L.CCF0L = 863.625\text{MHz} / 25\text{kHz} = 34,545$ (0x86F1)
- Channel spacing is 1.2MHz
 $CS.CS = 1.2\text{MHz} / 25\text{kHz} = 48$ (0x30)
- Channel value is 2
 $RFn_CNL = 2$, $CNM.CNH = 0$ and $CNM.CM = 0$
- The programming sequence is started at register RF09_CS with the following values: 0x30, 0xF1, 0x86, 0x02, 0x00 (register order: RF09_CS, RF09_CCF0L, RF09_CCF0H, RF09_CNL, RF09_CNH)

The frequencies must be within the supported range, otherwise the behavior is undefined. The device is not protected against incorrect frequency settings.

Fine Resolution Channel Scheme CNM.CM=1

The fine resolution channel scheme mode 1 is enabled if sub-register CNM.CM is set to 1.

$$f_{channel} = 377\text{MHz} + \frac{6.5\text{MHz} \cdot N_{channel}}{2^{16}}$$
$$N_{channel} = \left[\begin{matrix} CCF0H, CCF0L, CNL \end{matrix} \right]_{126030}^{1340967}$$

The channel number $N_{channel}$ is a 24-bit value and consists of high byte RFn_CCF0H, middle byte RFn_CCF0L and low byte RFn_CNL. The channel number $N_{channel}$ ranges from 126.030 (389.5MHz) to 1340.967 (510MHz); other values are not supported and proper PLL behavior is not guaranteed. The setting is valid for the sub-1GHz transceiver (RF09); the setting has no effect for the 2.4GHz transceiver (RF24).

Fine Resolution Channel Scheme CNM.CM=2

The fine resolution channel scheme mode 2 is enabled if sub-register **CNM.CM** is set to 2.

$$f_{\text{channel}} = 754\text{MHz} + \frac{13\text{MHz} \cdot N_{\text{channel}}}{2^{16}}$$

$$N_{\text{channel}} = \left[\text{CCF0H, CCF0L, CNL} \right]_{126030}^{1340967}$$

The channel number N_{channel} is a 24-bit value and consists of high byte **RFn_CCF0H**, middle byte **RFn_CCF0L**, and low byte **RFn_CNL**. The channel number N_{channel} ranges from 126.030 (779MHz) to 1340.967 (1020MHz); other values are not supported and proper PLL behavior is not guaranteed. The setting is valid for the sub-1GHz transceiver (RF09); the setting has no effect for the 2.4GHz transceiver (RF24).

Fine Resolution Channel Scheme **CNM.CM=3**

The fine resolution channel scheme mode 3 is enabled if sub-register **CNM.CM** is set to 3.

$$f_{\text{channel}} = 2366\text{MHz} + \frac{26\text{MHz} \cdot N_{\text{channel}}}{2^{16}}$$

$$N_{\text{channel}} = \left[\text{CCF0H, CCF0L, CNL} \right]_{85700}^{296172}$$

The channel number N_{channel} is a 24-bit value and consists of high byte **RFn_CCF0H**, middle byte **RFn_CCF0L**, and low byte **RFn_CNL**. The channel number N_{channel} ranges from 85.700 (2400MHz) to 296.172 (2483.5MHz); other values are not supported and proper PLL behavior is not guaranteed. The setting is valid for the 2.4GHz transceiver (RF24); the setting has no effect for the sub-1GHz transceiver (RF09).

6.3.3 Register Description

6.3.3.1 RFn_CS – Channel Spacing

The register configures the channel spacing with a resolution of 25kHz. The register CNM must be written to take over the CS value. The CNM register must always be written last.

Bit	7	6	5	4	3	2	1	0	
	CS								RFn_CS
Read/Write	RW	RW	RW	RW	RW	RW	RW	RW	
Initial Value	0	0	0	0	1	0	0	0	

- **Bit 7:0 – CS.CS: Channel Spacing with 25kHz Resolution**

Example: A value of 0x08 needs to be set (8x25kHz) for a channel spacing of 200kHz.

6.3.3.2 RFn_CCF0L – Channel Center Frequency F0 Low Byte

The register configures the base value of the channel center frequency F0 (low byte) with a resolution of 25kHz. The register CNM must be written to latch the CCF0L value. The CNM register must always be written last.

Bit	7	6	5	4	3	2	1	0	
	CCF0L								RFn_CCF0L
Read/Write	RW	RW	RW	RW	RW	RW	RW	RW	
Initial Value	1	1	1	1	1	0	0	0	

- **Bit 7:0 – CCF0L.CCF0L: Channel Center Frequency with 25kHz Channel Spacing**

The reset value (0xf8) of the channel register results in 902.2MHz for the sub-1GHz transceiver (RF09) and 2402.2MHz for the 2.4GHz transceiver (RF24): CCF0=0x8cf8=36088; CS=200KHz, CN=0.

6.3.3.3 RFn_CCF0H – Channel Center Frequency F0 High Byte

The register configures the base value of the channel center frequency F0 (high byte) with a resolution of 25kHz. The register CNM must be written to latch the CCF0H value. The CNM register must always be written last.

Bit	7	6	5	4	3	2	1	0	
	CCF0H								RFn_CCF0H
Read/Write	RW	RW	RW	RW	RW	RW	RW	RW	
Initial Value	1	0	0	0	1	1	0	0	

- **Bit 7:0 – CCF0H.CCF0H: Channel Center Frequency with 25kHz Channel Spacing**

The reset value (0x8c) of the channel register results in 902.2MHz for the sub-1GHz transceiver (RF09) and 2402.2MHz for the 2.4GHz module (RF24): CCF0=0x8cf8=36088; CS=200KHz, CN=0.

6.3.3.4 RFn_CNL – Channel Number Low Byte

The register contains the transceiver channel number low byte CN[7:0]. The register CNM must be written to latch the CNL value. The CNM register must always be written last.

Bit	7	6	5	4	3	2	1	0	
	CNL								RFn_CNL
Read/Write	RW	RW	RW	RW	RW	RW	RW	RW	
Initial Value	0	0	0	0	0	0	0	0	

6.3.3.5 RFn_CNM – Channel Mode and Channel Number High Bit

The register configures the channel mode and channel number bit 9 CN[8]. A write operation to this register applies the channel register CS, CCFOL, CCF0H and CNL values.

Bit	7	6	5	4	3	2	1	0	
	CM		–	–	–	–	–	CNH	RFn_CNM
Read/Write	RW	RW	R	R	R	R	R	RW	
Initial Value	0	0	0	0	0	0	0	0	

- **Bit 7:6 – CNM.CM: Channel Setting Mode**

Table 6-22. CM

Sub-register	Value	Description
CM	0x0	IEEE compliant channel scheme; $f=(CCF0+CN*CS)*25kHz+f_{offset}$; ($f_{offset} = 0Hz$ for sub-1GHz transceiver; $f_{offset} = 1.5GHz$ for 2.4GHz transceiver)
	0x1	Fine resolution (389.5-510.0)MHz with 99.182Hz channel stepping
	0x2	Fine resolution (779-1020)MHz with 198.364Hz channel stepping
	0x3	Fine resolution (2400-2483.5)MHz with 396.728Hz channel stepping

- **Bit 0 – CNM.CNH: Channel Number CN[8]**

The bit sets bit 9 (CN[8]) of the channel number CN[8:0]. Bit 9 is only needed for frequency range (2400-2483.5)MHz, MR-OFDM Option 4 and MR-FSK mode #1 for: TotalNumChan=416

6.3.3.6 RFn_PLL – Transceiver PLL

This register provides status of the PLL operation.

Bit	7	6	5	4	3	2	1	0	
	–	–	LBW		–	–	LS	–	RfN_PLL
Read/Write	R	R	RW	RW	RW	RW	R	RW	
Initial Value	0	0	0	0	1	0	0	0	

- **Bit 5:4 – PLL.LBW: Loop Bandwidth**

This sub-register controls the PLL loop bandwidth. The sub-register is applicable for the sub-1GHz transceiver only (RF09). The TX modulation quality (i.e. FSK eye diagram) can be adjusted when direct modulation is used.

Table 6-23. LBW

Sub-register	Value	Description
LBW	0x0	default
	0x1	15% smaller PLL loopbandwidth
	0x2	15% larger PLL loopbandwidth

- **Bit 1 – PLL.LS: PLL Lock Status**

Table 6-24. LS

Sub-register	Value	Description
LS	0x0	PLL is not locked.
	0x1	PLL is locked.

6.3.3.7 RfN_PLLCF – PLL center frequency value

Center frequency calibration is performed from state TRXOFF to state TXPREP and at channel change. The register displays the center frequency value of the current channel.

Bit	7	6	5	4	3	2	1	0		
	–	–	CF							RfN_PLLCF
Read/Write	R	R	RW	RW	RW	RW	RW	RW		
Initial Value	0	0	0	0	0	0	0	0		

- **Bit 5:0 – PLLCF.CF: PLL center frequency value**

6.4 Crystal Oscillator and TCXO

The main features of the crystal oscillator are:

- Operation with external crystal or TCXO
- Amplitude controlled low phase noise 26MHz clock generation using external crystal
- Fast crystal oscillation settling time after enable (t_{XOSC_SETTL} , see [Table 10-7 on page 189](#))
- Configurable crystal frequency trimming with a capacitance load array [RF_XOC.TRIM](#)

6.4.1 Overview

The oscillator generates the reference frequency for both radios, the sub-1GHz radio and the 2.4GHz radio. All internal generated frequencies of the transceivers are derived from this unique frequency. The overall system performance is therefore determined by the accuracy of the reference frequency.

Two operating modes are supported:

- Crystal oscillator mode
- TCXO mode.

6.4.2 Crystal Oscillator mode

Advantages using the integrated oscillator with an external crystal are low cost, no extra current consumption and fast start up of oscillation, typically $t_{XOSC_SETTL} = 150\mu s$, see [Table 10-7 on page 189](#). Crystals suffer in contrast to TCXOs from higher frequency offset and frequency temperature drift which is especially critical in narrow band applications.

The output frequency of the internal oscillator depends on the load capacitance between crystal pins TCXO and XTAL2. The total load capacitance C_L must be equal to the vendor specified load capacitance of the crystal itself. It consists of the external capacitors C_X and parasitic capacitances of PCB traces and IC pins. Parasitic capacitance of IC pin TCXO and pin XTAL2 is about $C_{LEAD_DEVICE} = 5$

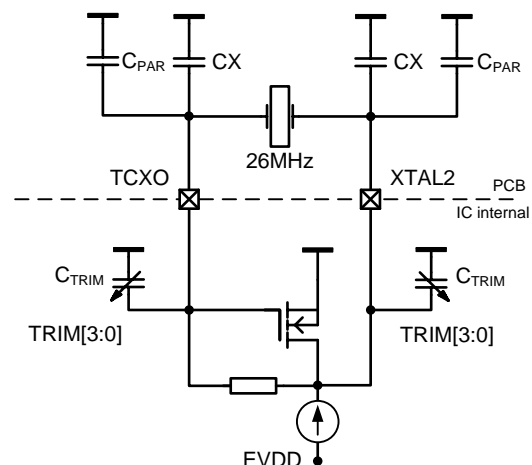
CLEAD_ DEVICE	Lead capacitance of the AT86RF215			5		pF
------------------	-----------------------------------	--	--	---	--	----

each, see [Table 10-5 on page 188](#).

The external components of the crystal oscillator should be selected carefully and the related board layout should avoid parasitic capacitances. Crystal lines must be routed as short as possible and not in proximity to digital I/O signals. The register [RF_XOC](#) provides access to the control signals of the oscillator.

[Figure 6-8](#) shows all parasitic capacitances, such as PCB stray capacitances and the pin input capacitance summarized as C_{PAR} .

Figure 6-8. Simplified Crystal Oscillator Schematic with External Components



Additional internal trimming capacitors C_{TRIM} are available. Any value in the range from 0pF to 4.5pF with a 0.3pF resolution is selectable using sub-register `RF_XOC.TRIM`. To calculate the total load capacitance, the following formula can be used:

$$C_{LOAD_CRYSTAL}=C_L = 0.5 \cdot (C_X + C_{TRIM} + C_{PAR}).$$

The trimming capacitors provide the possibility to reduce frequency deviations caused by variations of the production process or by tolerances of external components. Note, that the oscillation frequency can only be reduced by increasing the trimming capacitance. The frequency deviation caused by one step of `RF_XOC.TRIM` depends on Q-factor and C_L of crystal and is about 2ppm in typical configurations.

An amplitude control circuit is included to ensure stable operation under different operating conditions and for different crystal types. Enabling the crystal oscillator after leaving state `DEEP_SLEEP`, `RESET` or at power-on procedure a higher startup current during the amplitude build-up phase is drawn to guarantee a short start-up time. The current is reduced to the amount necessary for a robust oscillation during stable operation. This also keeps the drive level of the crystal low. To reduce oscillator startup current by 0.8mA, set bit `RF_XOC.FS` to 0. Start-up time is increased.

Crystals with a higher load capacitance are generally less sensitive to parasitic pulling effects caused by variations of external components or board and circuit parasitics. On the other hand, a larger crystal load capacitance results in a longer start-up time, higher steady state current consumption and higher drive level.

Refer to [Table 10-5 on page 188](#) for crystal parameter specification.

6.4.3 External Reference Frequency with TCXO Setup

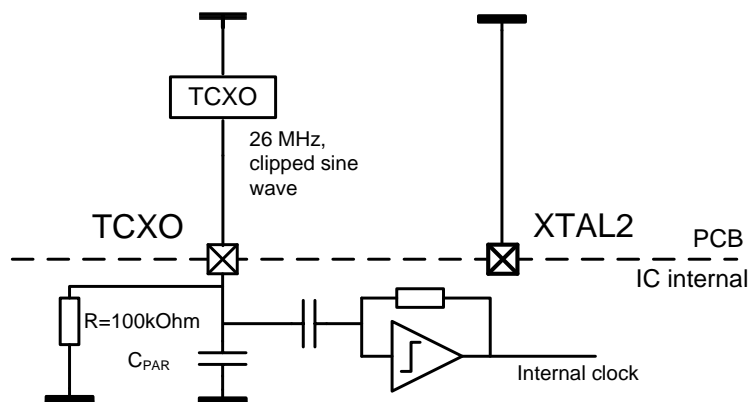
The downsides of TCXOs are higher current consumption, extended start-up time in the range of milliseconds, and higher costs. The benefits are lower frequency offset and temperature compensated frequency drift.

When using an external reference frequency, the TCXO output signal must be connected to pin TCXO. The oscillation peak-to-peak amplitude should be between 600mV and 1600mV. The TCXO input of the AT86RF215 is designed for clipped sin wave signals which shall be DC-coupled and ground referred. The parasitic ground capacity of pin TCXO is about `CLEAD_DEVICE=5`

<code>CLEAD_DEVICE</code>	Lead capacitance of the AT86RF215			5		pF
---------------------------	-----------------------------------	--	--	---	--	----

see [Table 10-5 on page 188](#). Pin XTAL2 must be connected to ground if operating the device with a TCXO.

Figure 6-9. Block Diagram External Reference Frequency Setup with TCXO



6.4.4 Register Description

6.4.4.1 RF_XOC – Crystal Oscillator Control

The register controls the operation of the crystal oscillator.

Bit	7	6	5	4	3	2	1	0	
(0x0009)	-	-	-	FS	TRIM				RF_XOC
Read/Write	RW	R	R	RW	RW	RW	RW	RW	
Initial Value	0	0	0	1	0	0	0	0	

- **Bit 4 – RF_XOC.FS: Crystal Oscillator fast start-up enable**

The sub-register enables the fast start-up option of the crystal oscillator. If the sub-register is set to 1, the fast start-up option is enabled.

- **Bit 3:0 – RF_XOC.TRIM: Crystal Oscillator Trim**

The sub-register controls two internal capacitance arrays connected to the crystal oscillator pins TCXO and XTAL2.

Table 6-25. TRIM

Sub-register	Value	Description
TRIM	0x0	+0.0pF
	0x1	+0.3pF
	0x2	+0.6pF
	0x3	+0.9pF
	0x4	+1.2pF
	0x5	+1.5pF
	0x6	+1.8pF
	0x7	+2.1pF
	0x8	+2.4pF
	0x9	+2.7pF
	0xa	+3.0pF
	0xb	+3.3pF
	0xc	+3.6pF
	0xd	+3.9pF
	0xe	+4.2pF
	0xf	+4.5pF

6.5 External Frontend Control

The AT86RF215 device provides four output pins for external frontend control (external LNA, PA), two pins for each transceiver. The control pins are assigned as follows:

- Pins FEA24 and FEB24 for the 2.4GHz band
- Pins FEA09 and FEB09 for the sub-1GHz band

6.5.1 Frontend Configurations

The AT86RF215 device provides three configurations to control an external frontend. The pins of the transceiver are controlled by the state machine and switch automatically according to the state, refer to "State Machine" on page 33. The configuration must be selected depending on the external frontend implementation and can be configured by register `RFn_PADFE`.

Note, the pins do not act differential.

Frontend Pin Configuration 1

Configuration 1 supports the automatic gain control of the external LNA (see section "Automatic Gain Control (AGC)" on page 53). The LNA of the frontend module must have the ability to be bypassed. A frontend module control with the following truth table (Table 6-26) is supported.

Table 6-26. Frontend Control Pins Configuration 1

Mode	Frontend mode description	FEA pin	FEB pin	State of the radio
0	All off (sleep mode)	0	0	TRXOFF/ SLEEP/ RESET/ TXPREP
1	RX LNA mode	0	1	RX
2	TX mode	1	0	TX
3	RX bypass mode	1	1	RX

Frontend Pin Configuration 2

Configuration 2 supports a frontend module control with the following truth table (Table 6-27).

Table 6-27. Frontend Control Pins Configuration 2

Mode	Frontend mode description	FEA pin	FEB pin	State of the radio
0	All off (sleep mode)	0	0	TRXOFF/ SLEEP/ RESET/ TXPREP
1	RX mode	0	1	RX
2	TX mode	1	1	TX

Frontend Pin Configuration 3

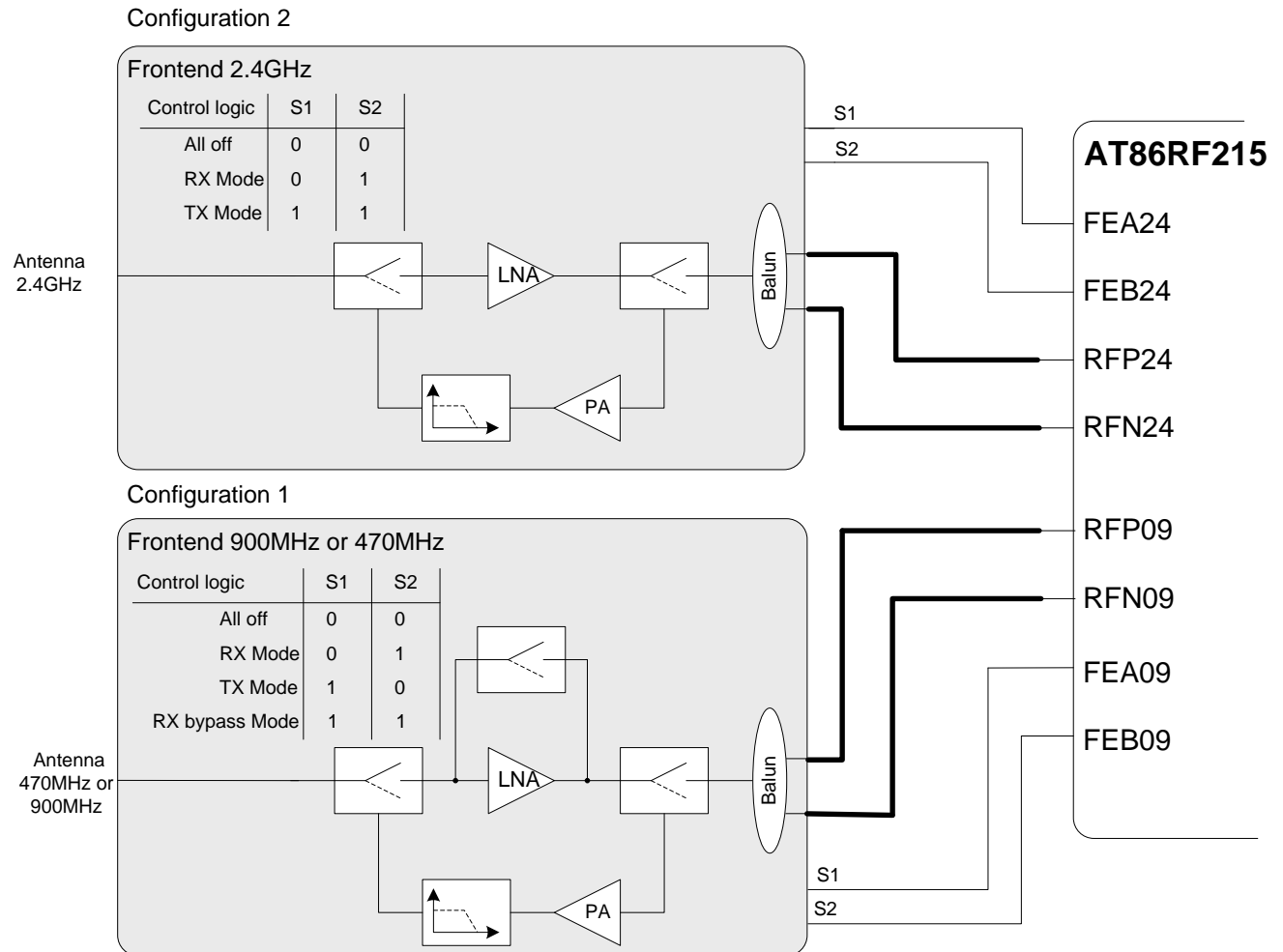
Configuration 3 supports an automatic gain control of the external LNA. The frontend module cannot be switched off by the pin configuration. The on/off state must be controlled by a microcontroller. Configuration 3 supports a frontend module control with the following truth table (Table 6-28).

Table 6-28. Frontend Control Pins Configuration 3

Mode	Frontend mode description	FEA pin	FEB pin	State of the radio
0	RX bypass mode	0	0	RX
1	RX LNA mode	0	1	RX
2	TX mode	1	1	TX

External Frontend Configuration Example

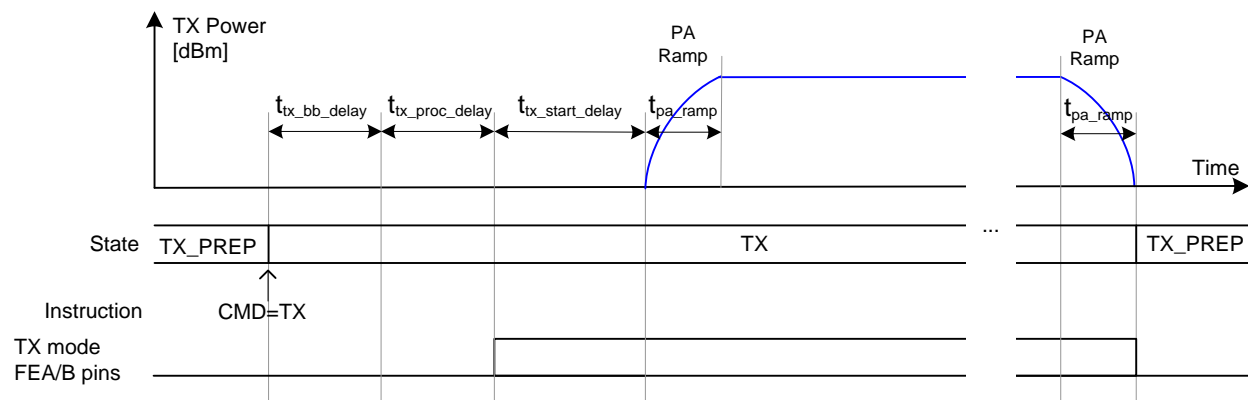
Figure 6-10. Frontend Example Schematic 1: Configuration 1 and Configuration 2



6.5.2 Frontend Pin – Timing Diagram

Figure 6-11 shows the transmit timing diagram of the external pin behavior and the TX transmission.

Figure 6-11. Transmitter Frontend Pin Timing Diagram



6.5.3 External Low Noise Amplifier (LNA) and Internal Automatic Gain Control (AGC)

If an external frontend with an LNA is deployed, the AT86RF215 needs to be configured accordingly to make the higher sensitivity effective and to meet the adjacent channel specification of the system.

The AT86RF215 supports an external LNA with either 9dB or 12dB gain, refer to [AUXS.AGCMAP](#). The internal AGC scheme accommodates this external behavior and the [RFn_RSSI](#) and [RFn_EDV](#) values are mapped automatically. Refer to section "Automatic Gain Control (AGC)" on page 53 for further information.

In case the external LNA has a gain that differs from the supported values as defined by sub-register [AUXS.AGCMAP](#), the value with the closest corresponding setting should be used and the [RFn_RSSI](#) and [RFn_EDV](#) values needs to be re-evaluated according to the application. If the gain of the external LNA is higher than supported the adjacent channel robustness might suffer.

It is recommended to use a frontend with the ability to bypass the LNA. If the external frontend has the ability to bypass the LNA, the sub-register [AUXS.EXTLNABYP](#) can be set and the external LNA is accommodated in the AGC scheme of the AT86RF215 for optimized performance. The configuration 1 or 3 should be applied ([PADFE.PADFE](#)). Depending on the receiver input level, the external frontend mode "RX LNA mode" (for low signal input strength; register value [AGCS.GCW](#)>17) or the "RX bypass mode" (for strong signal input strength, register value [AGCS.GCW](#)≤17) is switched automatically, see [Table 6-26](#) and [Table 6-28](#). Note, the register value [AGCS.GCW](#) is only reset at state change to state RX. At "RX bypass mode" an external gain of 0dB is assumed for the [RFn_RSSI](#) and [RFn_EDV](#) automatic calculation.

6.5.4 Register Description

6.5.4.1 RFn_AUXS – Transceiver Auxiliary Settings

The register controls transceiver auxiliary settings.

Bit	7	6	5	4	3	2	1	0	
	EXTLNABYP	AGCMAP		AVEXT	AVEN	AVS	PAVC		RFn_AUXS
Read/Write	RW	RW	RW	RW	RW	R	RW	RW	
Initial Value	0	0	0	0	0	0	1	0	

- **Bit 7 – AUXS.EXTLNABYP: External LNA Bypass Availability**

The bit activates an AGC scheme where the external LNA can be bypassed using pins FEAnn/FEBnn.

Table 6-29. EXTLNABYP

Sub-register	Value	Description
EXTLNABYP	0x0	Bypass of external LNA not available
	0x1	Bypass of external LNA available

- **Bit 6:5 – AUXS.AGCMAP: AGC Map**

Depending on the external frontend setup (external LNA), a specific AGC gain mapping is applied considering the gain of the external LNA (about 9dB or 12dB external LNA gain). If EXTLNABYP is set to 1 and AGCMAP is set to 0, the pins FEAnn/FEBnn are set such that the external LNA is bypassed, see also register PADFE for further explanation.

Table 6-30. AGCMAP

Sub-register	Value	Description
AGCMAP	0x0	Internal AGC, no external LNA used
	0x1	AGC back-off for external LNA of about 9dB gain
	0x2	AGC back-off for external LNA of about 12dB gain

- **Bit 4 – AUXS.AVEXT: Analog Voltage External Driven**

The bit disables the internal analog supply voltage. If this bit is set to 1, an external supply must be connected to the corresponding AVDD (AVDD0: sub-1GHz radio; AVDD1 2.4GHz radio).

- **Bit 3 – AUXS.AVEN: Analog Voltage Enable**

If this bit is set to 1, the analog voltage regulator turns on in state TRXOFF. This setting enables faster transition from state TRXOFF to TXPREP or RX, but comes with a higher current consumption in state TRXOFF. The analog voltage regulator is always turned off in state SLEEP.

Table 6-31. AVEN

Sub-register	Value	Description
AVEN	0x0	Disabled
	0x1	Enabled

- **Bit 2 – AUXS.AVS: Analog Voltage Status**

The bit indicates that the analog voltage has settled.

- **Bit 1:0 – AUXS.PAVC: Power Amplifier Voltage Control**

The sub-register controls the supply voltage of the internal power amplifier.

Table 6-32. PAVC

Sub-register	Value	Description
PAVC	0x0	2.0V
	0x1	2.2V
	0x2	2.4V

6.5.4.2 RFn_PADFE – External Frontend Control Pad Configuration

This register sets the configurations for the external frontend control pins FEAnn and FEBnn. The external frontend setup of the board is configured by sub-registers AUXS.EXTLNABYP and AUXS.AGCMAP.

Bit	7	6	5	4	3	2	1	0	
	PADFE								RFn_PADFE
Read/Write	RW	RW	R	R	R	R	R	R	
Initial Value	0	0	0	0	0	0	0	0	

- **Bit 7:6 – PADFE.PADFE: Frontend Pins Configuration**

The sub-register sets the configurations for the frontend control pins. The pins FEAnn and FEBnn are switched based on the radio state.

Configuration 0: no Frontend control; FEAnn and FEBnn output is always 0

Configuration 1: (1 pin is TX switch; 1 pin is RX switch; LNA can be bypassed)

FEA|FEB: L|L: TXPREP (Frontend off); H|L: TX (Transmit); L|H: RX (Receive); H|H: RX with LNA Bypass

Configuration 2: (1 pin is enable, 1 pin is TXRX switch; 1 | 0 additional option)

FEA|FEB: L|L: TXPREP (Frontend off); H|H: TX (Transmit); L|H: RX (Receive); H|L: RX with LNA Bypass

Configuration 3: (1 pin is TXRX switch, 1 pin is LNA Bypass, 1 pin (MCU) is enable)

FEA|FEB|MCUPin: L|L|L: TXPREP (Frontend off); H|H|H: TX (Transmit); L|H|H: RX (Receive); L|L|H: RX with LNA Bypass

Table 6-33. PADFE

Sub-register	Name	Value	Description
PADFE	RF_FEMODE0	0x0	Configuration 0
	RF_FEMODE1	0x1	Configuration 1
	RF_FEMODE2	0x2	Configuration 2
	RF_FEMODE3	0x3	Configuration 3

6.6 Voltage Regulator

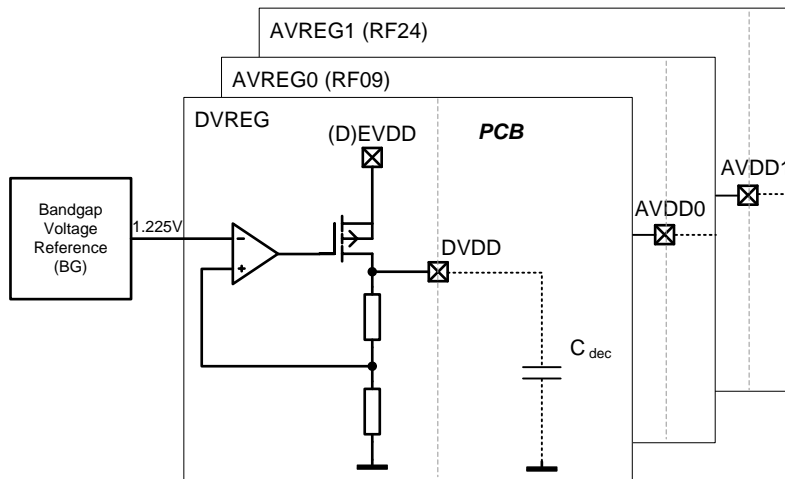
6.6.1 Main Power Supplies

The AT86RF215 has three independent bandgap stabilized internal voltage regulators:

- DVREG: Digital 1.8V domain, pin DVDD
- AVREG0: Analog/RF 1.8V sub-1GHz transceiver domain, pin AVDD0
- AVREG1: Analog/RF 1.8V 2.4GHz transceiver domain, pin AVDD1

A simplified schematic of the internal voltage regulators is shown in [Figure 6-12](#).

Figure 6-12. Simplified Schematic of Voltage Regulator



The voltage regulators require decouple capacitors for stable operation. The values of the decouple capacitors determine the settling time. A recommended value is $C_{dec} = 100\text{nF}$ (see [Table 10-4 on page 188](#)). The decouple capacitors should be placed as close as possible to the pins and should be connected to ground with the shortest possible traces. The pins DVDD, AVDD0 and AVDD1 must not be shorted.

The DVREG is enabled during start-up and is switched off in state DEEP_SLEEP. The AVREG is enabled only on request by the radio. [Table 6-34](#) reflects the status of the voltage regulators in various transceiver states.

Table 6-34. Voltage Regulator Status

Sub-1GHz transceiver state	2.4GHz transceiver state	DVREG	AVREG0	AVREG1	Comments
TRXOFF	TRXOFF	ON	OFF	OFF	
SLEEP	TRXOFF	ON	OFF	OFF	
TRXOFF	SLEEP	ON	OFF	OFF	
SLEEP	SLEEP	OFF	OFF	OFF	DEEP_SLEEP
TRXOFF, SLEEP	TXPREP, TX, RX	ON	OFF	ON ¹	See Note 1
TXPREP, TX, RX	TRXOFF, SLEEP	ON	ON ¹	OFF	See Note 1
TXPREP, TX, RX	TXPREP, TX, RX	ON	ON ¹	ON ¹	See Note 1

Note: 1. If sub-register **AUXS.AVEN** is set to 1, the analog voltage regulator is on in all states except state SLEEP. The current consumption in state TRXOFF is increased by the individual current consumption of the voltage regulator of **80µA**.

The status of the analog voltage regulators are indicated by sub-register **AUXS.AVS**.

It is recommended using the internal voltage regulators but it is also possible to supply the voltage domains by an external voltage supply. The analog voltages can be supplied at pin AVDD0 and pin AVDD1. In order to supply external voltages, the internal analog voltage regulators must be switched off by sub-register **AUXS.AVEXT**. Note, that the voltages must not exceed the maximum voltage on analog pins (see section "**Absolute Maximum Ratings**" on page 187). The internal digital voltage regulator cannot be switched off. An external voltage has to overdrive the internal voltage.

Each voltage regulator features a current limitation which is active during voltage regulator start-up. The start-up current is limited to $I_{VREG_LIMIT} = 60$

IVREG_LIMIT	Current limitation of internal voltage regulator at start-up	43	60	78	mA
-------------	--------------------------------------------------------------	----	----	----	----

(see Table 10-4 on page 188). After start-up, the current limitation is released, the voltage regulator load current is no longer limited.

6.6.2 Register Description

6.6.2.1 RFn_AUXS – Transceiver Auxiliary Settings

The register controls transceiver auxiliary settings.

Bit	7	6	5	4	3	2	1	0		
	EXTLNABYP	AGCMAP			AVEXT	AVEN	AVS	PAVC		RFn_AUXS
Read/Write	RW	RW	RW	RW	RW	R	RW	RW		
Initial Value	0	0	0	0	0	0	1	0		

- **Bit 7 – AUXS.EXTLNABYP: External LNA Bypass Availability**

The bit activates an AGC scheme where the external LNA can be bypassed using pins FEAnn/FEBnn.

Table 6-35. EXTLNABYP

Sub-register	Value	Description
EXTLNABYP	0x0	Bypass of external LNA not available
	0x1	Bypass of external LNA available

- **Bit 6:5 – AUXS.AGCMAP: AGC Map**

Depending on the external frontend setup (external LNA), a specific AGC gain mapping is applied considering the gain of the external LNA (about 9dB or 12dB external LNA gain). If EXTLNABYP is set to 1 and AGCMAP is set to 0, the pins FEAnn/FEBnn are set such that the external LNA is bypassed, see also register PADFE for further explanation.

Table 6-36. AGCMAP

Sub-register	Value	Description
AGCMAP	<u>0x0</u>	Internal AGC, no external LNA used
	0x1	AGC back-off for external LNA of about 9dB gain
	0x2	AGC back-off for external LNA of about 12dB gain

- **Bit 4 – AUXS.AVEXT: Analog Voltage External Driven**

The bit disables the internal analog supply voltage. If this bit is set to 1, an external supply must be connected to the corresponding AVDD (AVDD0: sub-1GHz radio; AVDD1 2.4GHz radio).

- **Bit 3 – AUXS.AVEN: Analog Voltage Enable**

If this bit is set to 1, the analog voltage regulator turns on in state TRXOFF. This setting enables faster transition from state TRXOFF to TXPREP or RX, but comes with a higher current consumption in state TRXOFF. The analog voltage regulator is always turned off in state SLEEP.

Table 6-37. AVEN

Sub-register	Value	Description
AVEN	<u>0x0</u>	Disabled
	0x1	Enabled

- **Bit 2 – AUXS.AVS: Analog Voltage Status**

The bit indicates that the analog voltage has settled.

- **Bit 1:0 – AUXS.PAVC: Power Amplifier Voltage Control**

The sub-register controls the supply voltage of the internal power amplifier.

Table 6-38. PAVC

Sub-register	Value	Description
PAVC	0x0	2.0V
	0x1	2.2V
	<u>0x2</u>	2.4V

6.7 Battery Monitor (BATMON)

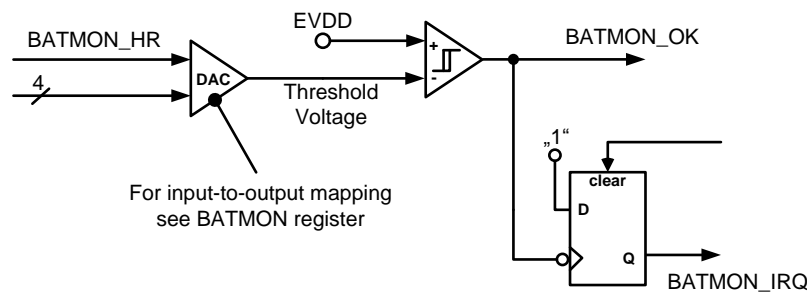
6.7.1 Battery Monitor Description

The battery monitor (BATMON) detects and indicates a low supply voltage at pin EVDD. The main features of the battery monitor are:

- Configurable voltage thresholds ranging from 1.70V to 3.675V
- Generation of an interrupt if supply voltage (EVDD) drops below the configured threshold level

A simplified schematic of the BATMON module with its input and output signals is shown in [Figure 6-13](#).

Figure 6-13. Simplified Battery Monitor Schematic



The battery monitor can be configured using the register [RF_BMDVC](#). The sub-register [RF_BMDVC.BMVTH](#) defines the threshold voltage for battery level indication. The threshold voltage is configurable with a resolution of 75mV in the upper voltage range ([RF_BMDVC.BMHR=1](#)) and with a resolution of 50mV in the lower voltage range ([RF_BMDVC.BMHR=0](#)).

The sub-register [RF_BMDVC.BMS](#) indicates the status of the battery voltage:

- [RF_BMDVC.BMS=0](#): The battery voltage is lower than the threshold voltage.
- [RF_BMDVC.BMS=1](#): The battery voltage is higher than the threshold voltage.

The battery monitor is inactive during state **DEEP_SLEEP**.

A supply voltage drop below the configured threshold value is indicated by interrupt [IRQS.BATLOW](#). The interrupt [IRQS.BATLOW](#) is issued by both transceivers if not in state **SLEEP**.

No interrupt is generated if:

- The EVDD voltage is below the default 1.8V threshold at power on, i.e. [RF_BMDVC.BMS](#) has never been 1.
- A new threshold is set which is still below the supply voltage, i.e. [RF_BMDVC.BMS](#) remains 0.

Noise or temporary voltage drops may generate unwanted interrupts if the EVDD voltage is close to the programmed threshold voltage. To avoid this, the interrupt [IRQM.BATLOW](#) could be disabled or a lower threshold value could be set. The default threshold level is 1.8V. Operating the AT86RF215 at a supply voltage of 1.8V generates the interrupt [IRQS.BATLOW](#) during power-on.

6.7.2 Register Description

6.7.2.1 RF_BMDVC – Transceiver Battery Monitor Control and Digital Voltage Regulator Control

The register configures the battery monitor. The status of the EVDD supply voltage is accessible by reading bit **BMS** with respect to the current **BMVTH** and **BMHR** threshold settings.

Bit	7	6	5	4	3	2	1	0	
(0x0008)	–	–	BMS	BMHR	BMVTH				RF_BMDVC
Read/Write	R	R	R	RW	RW	RW	RW	RW	
Initial Value	0	0	0	0	0	0	1	0	

- **Bit 5 – RF_BMDVC.BMS: Battery Monitor Status**

The bit indicates the level of the external supply voltage with respect to the configured battery monitor threshold. A value of one indicates that the voltage at pin EVDD is above the configured threshold, zero otherwise.

- **Bit 4 – RF_BMDVC.BMHR: Battery Monitor High Range**

The bit configures the threshold range for the battery monitor.

Table 6-39. BMHR

Sub-register	Value	Description
BMHR	<u>0x0</u>	Low range enabled, see BMVTH.
	0x1	High range enabled, see BMVTH.

- **Bit 3:0 – RF_BMDVC.BMVTH: Battery Monitor Voltage Threshold**

The sub-register configures the threshold voltage for the battery monitor.

Table 6-40. BMVTH

Sub-register	Value	Description
BMVTH	0x0	BMHR=1: 2.550V BMHR=0: 1.70V
	0x1	BMHR=1: 2.625V BMHR=0: 1.75V
	<u>0x2</u>	BMHR=1: 2.700V BMHR=0: 1.80V
	0x3	BMHR=1: 2.775V BMHR=0: 1.85V
	0x4	BMHR=1: 2.850V BMHR=0: 1.90V
	0x5	BMHR=1: 2.925V BMHR=0: 1.95V
	0x6	BMHR=1: 3.000V BMHR=0: 2.00V
	0x7	BMHR=1: 3.075V BMHR=0: 2.05V
	0x8	BMHR=1: 3.150V BMHR=0: 2.10V
	0x9	BMHR=1: 3.225V BMHR=0: 2.15V
	0xA	BMHR=1: 3.300V BMHR=0: 2.20V
	0xB	BMHR=1: 3.375V BMHR=0: 2.25V
	0xC	BMHR=1: 3.450V BMHR=0: 2.30V
	0xD	BMHR=1: 3.525V BMHR=0: 2.35V
	0xE	BMHR=1: 3.600V BMHR=0: 2.40V
	0xF	BMHR=1: 3.675V BMHR=0: 2.45V

6.8 Analog Calibrations

Several analog radio blocks include calibration loops to minimize performance degradation due to process and temperature variation. All calibrations are initiated during the state transition from state TRXOFF to state TXPREP or to state RX (see ["State Machine" on page 33](#)). To achieve best calibration values and maximum RF performance, TX output power (register [PAC.TXPWR](#)) and the center frequency (see section ["Frequency Synthesizer \(PLL\)" on page 62](#)) must be configured in state TRXOFF.

Following calibrations are performed:

- RX band-pass and TX low-pass filter cut-off frequency
- RX band-pass and TX low-pass filter DC offset
- Transmitter LO leakage
- PLL center frequency.

At default register settings, the analog supply voltage is disabled in state TRXOFF to minimize supply current. Since all calibrations are based on the analog supply voltage AVDD0/AVDD1, the analog voltage regulator is turned on as a first step in the calibration sequence. The time to set up the analog supply voltage depends on the decouple capacitance (C_{dec}) at the pins AVDD0/AVDD1 and may be significant with respect to the duration of the calibrations. To minimize the state transition time, it is possible to enable the analog supply voltage at the state TRXOFF by setting sub-register [AUXS.AVEN](#) to 1.

Refer to [Table 10-7 on page 189](#) for typical transition time from state TRXOFF to state TXPREP. The interrupt [IRQS.TRXRDY](#) indicates that all calibrations are completed successfully.

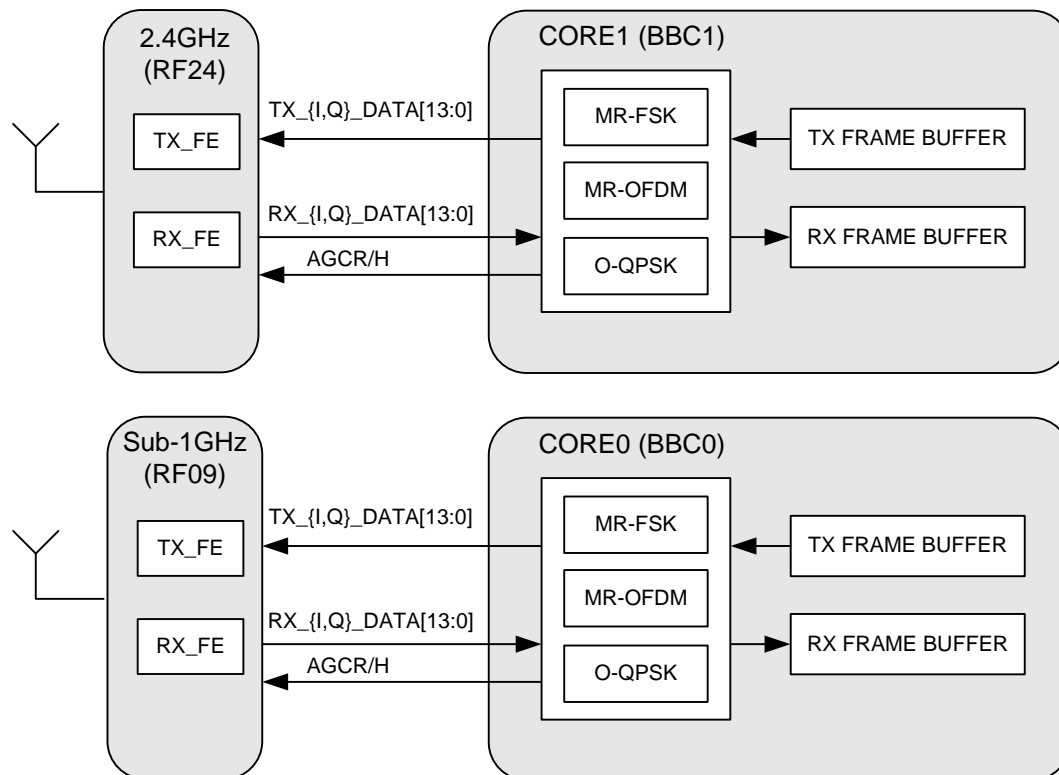
6.9 Baseband Core

6.9.1 Overview

The AT86RF215 features dedicated baseband core functionality of:

- An MR-FSK PHY in support of [3] and [5]
- An MR-OFDM PHY in support of [3] and [5]
- An O-QPSK PHY in support of [3], [2] and [5]

Figure 6-14. Simplified Block Diagram of the Baseband Cores



As shown in [Figure 6-14](#), the AT86RF215 includes baseband core CORE0 connected with the sub-1GHz radio and baseband core CORE1 connected with the 2.4GHz radio. CORE0 and CORE1 are identical and can be independently used.

Each baseband core contains PHY implementations for MR-FSK, MR-OFDM and O-QPSK, according to section "[MR-FSK PHY](#)" on page 86, section "[MR-OFDM PHY](#)" on page 112 and section "[O-QPSK PHY](#)" on page 120, respectively.

For each core, only one of the PHYs can be selected at a time. The PHY of the baseband core is selected by sub-register [PC.PT](#). With sub-register [PC.BBEN](#) the baseband core is enabled separately. The baseband core can be disabled in two ways: set [PC.BBEN](#) or [PC.PT](#) to 0. For configuration of the PHYs the transceiver must be in the [State TRXOFF](#).

The selected PHY accesses the transmit frame buffer and receive frame buffer containing the PHY payload for transmit and receive, respectively. Details of the frame buffer are described in section "[Frame Buffer](#)" on page 132.

The selected PHY accesses the radio using the TX and RX I/Q data interface, see section "Transmitter Digital Frontend" on page 43 and section "Receiver Digital Frontend" on page 53, respectively.

6.9.2 Baseband Interrupts

If the baseband core is used (i.e. transceiver is operated in baseband mode, see section "Operating Modes" on page 30), baseband-specific interrupts are issued. These interrupts indicate receive and transmit status and frame processing information of the baseband core. The corresponding interrupts can be enabled or disabled by the register `BBCn_IRQM`. The baseband interrupt reasons can be read from the register `BBCn_IRQS`. Each baseband core (BBC0 and BBC1) uses its own interrupt status and mask registers.

In Table 6-41 an overview of all baseband interrupts is shown with references to more detailed descriptions. For further information about radio interrupts see section "Interrupts" on page 38.

Table 6-41. Baseband Interrupts

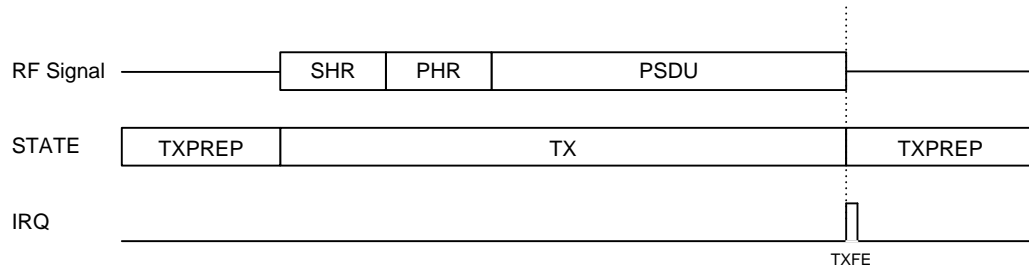
Interrupt	Section for Further Information	Comment
IRQS.RXFS	"MR-FSK PHY" on page 86, "MR-OFDM PHY" on page 112 and "O-QPSK PHY" on page 120	This interrupt is issued if a valid PHY header is detected during frame receive. With the occurrence of IRQ RXFS, the valid PHR information is updated in PHY registers (i.e. <code>BBCn_RXFLH</code> , <code>BBCn_RXFLL</code>).
IRQS.RXFE	"Frame Filter" on page 141	The IRQ RXFE is issued at the end of a successful frame reception. The complete frame payload is stored in the receive frame buffer. With this interrupt, the transceiver changes automatically from state RX to state TXPREP. Additionally, the First Level of Filtering must pass. If the Address Filter is enabled, a matching frame must be recognized. The IRQ RXFE is issued t_{RXFE} after frame end (see "Transition Timing" on page 189).
IRQS.RXEM	"Frame Filter" on page 141	This interrupt occurs during frame receive if the Address Filter is enabled and if the received frame is recognized as extended. The exact IRQ timing depends on the MAC header. The IRQ occurs if the MAC header parsing is completed.
IRQS.RXAM	"Frame Filter" on page 141	This interrupt occurs during frame receive if the Address Filter is enabled and if the received frame is recognized as matching. The exact IRQ timing depends on the MAC header. The IRQ occurs if the MAC header parsing is completed.
IRQS.TXFE		The IRQ_TXFE is issued when a frame is completely transmitted.
IRQS.AGCH	"Automatic Gain Control (AGC)" on page 53	The interrupt AGCH is issued during frame receive if a preamble of the selected PHY is detected. With this IRQ the AGC is notified from the baseband core to hold its current amplification settings. IRQs AGCH and AGCR are exclusive. With the occurrence of AGCH a pending IRQ AGCR is cleared. The register <code>BBCn_IRQS</code> only indicates the last occurred of both IRQs. This interrupt is for information purposes only.
IRQS.AGCR	"Automatic Gain Control (AGC)" on page 53	The interrupt AGCR is issued during frame receive if a receive process is finished. With this IRQ the AGC is notified from the baseband core to release its amplification settings and adapt its amplification to the receive signal strength automatically. IRQ AGCR also indicates a finished or canceled receive process. If IRQ AGCR occurs during the receive process, the reception is canceled and restarted. IRQs AGCH and AGCR are exclusive. With the occurrence of AGCR a pending IRQ AGCH is cleared. The register <code>BBCn_IRQS</code> only indicates the last occurred of both IRQs. This interrupt is for information purposes only.

Interrupt	Section for Further Information	Comment
IRQS.FBLI	"Frame Buffer Level Interrupt" on page 134	The interrupt FBLI can be used to monitor the receive frame buffer level. If the pre-programmed number of octets have been received (i.e. stored to the frame buffer), the IRQ FBLI is issued. The number of received octets can be configured by the registers <code>BBCn_FBLIL</code> and <code>BBCn_FBLIH</code> .

Transmit

In [Figure 6-15](#) a typical IRQ behavior during frame transmit is shown.

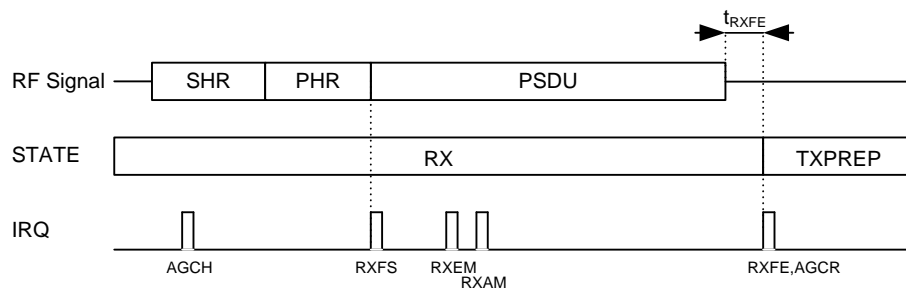
Figure 6-15. Baseband Interrupts during Frame Transmit



Receive

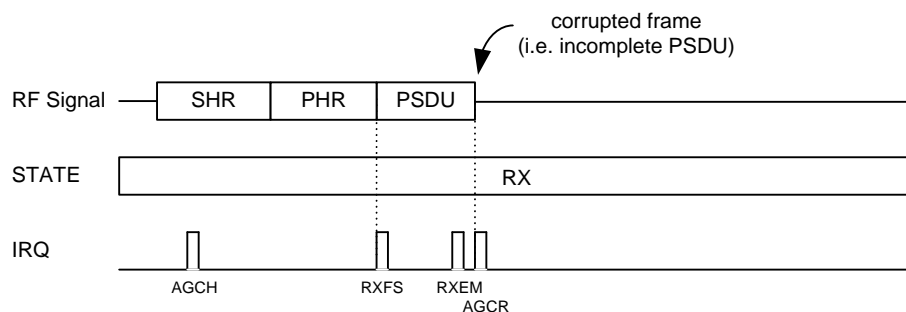
[Figure 6-16](#) shows the interrupt behavior during a receive process (all possible baseband receive IRQs are shown).

Figure 6-16. Baseband Interrupts during Frame Receive



In [Figure 6-17](#) a receive procedure is shown that is canceled after the occurrence of the IRQ `RXEM`. Subsequent interrupts are suppressed afterwards. The receive process is restarted after IRQ `AGCR`. A frame reception is canceled if the received signal shows a discontinuity or if no valid `PHR` is found.

Figure 6-17. Baseband Interrupts during Canceled Frame Reception



6.9.3 Register Description

6.9.3.1 BBCn_PC – PHY Control

This register configures the baseband PHY.

Bit	7	6	5	4	3	2	1	0	
	CTX	FCSFE	FCSOK	TXAFCS	FCST	BBEN	PT		BBCn_PC
Read/Write	RW	RW	R	RW	RW	RW	RW	RW	
Initial Value	0	1	0	1	0	1	0	0	

- **Bit 7 – PC.CTX: Continuous Transmit**

This sub-register enables the continuous transmit mode.

Table 6-42. CTX

Sub-register	Value	Description
CTX	<u>0x0</u>	Continuous transmission disabled
	<u>0x1</u>	Continuous transmission enabled

- **Bit 6 – PC.FCSFE: Frame Check Sequence Filter Enable**

This sub-register configures the filter function of the FCS check. If this sub-register is set to 1, an IRQ RXFE occurs only if the frame has a valid FCS. If this sub-register is set to 0, an IRQ RXFE occurs regardless of the FCS validity.

Table 6-43. FCSFE

Sub-register	Value	Description
FCSFE	<u>0x0</u>	FCS filter disabled
	<u>0x1</u>	FCS filter enabled

- **Bit 5 – PC.FCSOK: Frame Check Sequence OK**

This sub-register indicates whether the FCS of a detected frame is valid or not. This sub-register is automatically set to 0 if a frame start is detected. FCSOK is updated once the frame is received completely.

Table 6-44. FCSOK

Sub-register	Value	Description
FCSOK	<u>0x0</u>	FCS not valid
	<u>0x1</u>	FCS valid

- **Bit 4 – PC.TXAFCS: Transmitter Auto Frame Check Sequence**

If the sub-register TXAFCS is set to 1 during transmission, the internal calculated FCS (type dependent of FCST) is inserted into the last 2 or 4 PSDU octets, respectively. Note, this sub-register should be set to 1 only if the TX frame length is greater than the length of the selected FCS type, otherwise sub-register TXAFCS should be set to 0.

Table 6-45. TXAFCS

Sub-register	Value	Description
TXAFCS	<u>0x0</u>	FCS not calculated
	<u>0x1</u>	FCS autonomously calculated

- **Bit 3 – PC.FCST: Frame Check Sequence Type**

The sub-register FCST configures the used Frame Check Sequence Type.

Table 6-46. FCST

Sub-register	Value	Description
FCST	<u>0x0</u>	FCS type 32-bit
	0x1	FCS type 16-bit

- **Bit 2 – PC.BBEN: Baseband Enable**

This sub-register enables the baseband.

Table 6-47. BBEN

Sub-register	Value	Description
BBEN	0x0	Baseband is not enabled (switched off)
	<u>0x1</u>	Baseband is enabled (switched on)

- **Bit 1:0 – PC.PT: PHY Type**

This sub-register sets the PHY type.

Table 6-48. PT

Sub-register	Name	Value	Description
PT	BB_PHYOFF	<u>0x0</u>	OFF
	BB_MRFSK	0x1	MR-FSK
	BB_MROFDM	0x2	MR-OFDM
	BB_MROQPSK	0x3	MR-O-QPSK or legacy O-QPSK

6.10 MR-FSK PHY

6.10.1 Overview

The baseband sub-core MR-FSK of the AT86RF215 implements the MR-FSK mode specified in IEEE Std 802.15.4g™-2012 [3] and the GFSK PHY specified in ETSI TS 102 887-1, see [5]. Additional RAW mode extensions support a more flexible usage beyond the standard application.

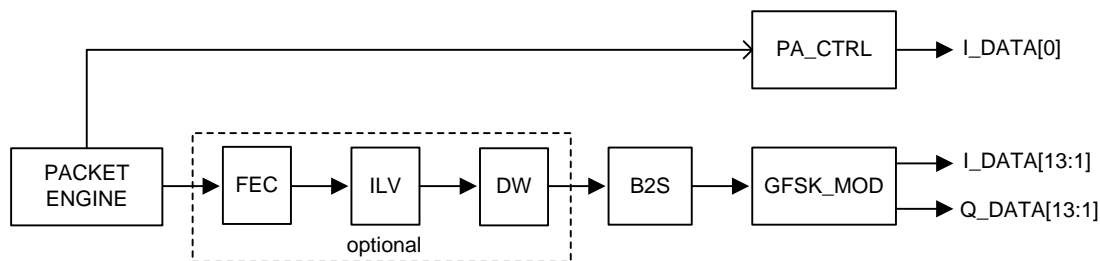
Key features are:

- Dual sense of synchronization word detection
- Forward Error Correction
- RAW mode

6.10.2 Coding and Modulation

6.10.2.1 Overview Coding and Modulation

Figure 6-18. Simplified Signal Flow



The basic signal flow is illustrated in Figure 6-18. The information bits of a packet can be optionally processed by Forward Error Correction (FEC), interleaving (ILV), and data whitening (DW). Bit-To-Symbol-Mapping (B2S) produces the discrete-time frequency symbol sequence. The corresponding I/Q baseband GFSK signal is passed to the I/Q data interface including the control signal of the power amplifier. For details, refer to section "Transmitter Digital Frontend" on page 43 and section "Modulation Index and Bandwidth Time Product" on page 88.

6.10.2.2 Forward Error Correction (FEC) and Interleaving (ILV)

The sub-core MR-FSK supports both of the FEC schemes of IEEE Std 802.15.4g™-2012, applying terminated rate $\frac{1}{2}$ convolutional codes with constraint length $K = 4$, using a

- non-recursive and non-systematic code (NRNSC) encoder ($phyFSKFECscheme = 0$) or
- recursive and systematic code (RSC) encoder ($phyFSKFECscheme = 1$).

The FEC scheme can be configured with sub-register `FSKC2.FECS`.

Regardless of the FEC scheme, code-symbol interleaving specified in IEEE Std 802.15.4g™-2012 can be enabled by setting sub-register `FSKC2.FECIE` to 1. Interleaving is automatically bypassed if FEC is not enabled.

With regard to the default register settings, FEC can be enabled with `FSKPHRTX.SFD = 1`. However, enabling of FEC may depend on several other register settings, as shown in Table 6-55 and Table 6-56. The motivation of this concept is described in section "PPDU Configuration" on page 90.

6.10.2.3 Data Whitening (DW)

The AT86RF215 supports data whitening as specified in IEEE Std 802.15.4g™-2012 [3]. Data whitening is enabled with sub-register `FSKPHRTX.DW = 1`. At receive, evaluation of the DW bit of the PHR field is automatically performed for de-whitening the PSDU. Note, that data whitening is performed at the code-bit level only for cases where FEC is enabled, see Figure 6-18 and IEEE Std 802.15.4g™-2012 [3]. Data whitening is not enabled in RAW mode, see section "RAW Mode" on page 92.

6.10.2.4 Bit-To-Symbol Mapping (B2S)

Bit-To-Symbol Mapping depends on the modulation order (2-level or 4-level FSK), configured with sub-register `FSKC0.MORD`.

The mapping of a (code)-bit $c(k)$ to a frequency symbol $x_s(k)$ for 2-level FSK is shown in Table 6-49.

Table 6-49. Bit-To-Symbol Mapping for 2-level FSK

$c(k)$	Frequency Symbol $x_s(k)$	Frequency Deviation
0	-1	$-f_{dev}$
1	+1	$+f_{dev}$

The mapping of the (code)-bit tuple $(c(2k), c(2k+1))$ to the frequency symbol $x_s(k)$ for 4-level FSK is shown in Table 6-50. For each tuple $(c(2k), c(2k+1))$, the entry $c(2k)$ is the predecessor with regard to the bit entry $c(2k+1)$.

Table 6-50. Bit-To-Symbol Mapping for 4-level FSK

$(c(2k), c(2k+1))$	Frequency Symbol $x_s(k)$	Frequency Deviation
(0,1)	-1	$-f_{dev}$
(0,0)	-1/3	$-f_{dev}/3$
(1,0)	+1/3	$+f_{dev}/3$
(1,1)	+1	$+f_{dev}$

4-level FSK is only active at the PHR or PSDU, see section "PPDU Types" on page 89.

The AT86RF215 supports further modifications:

- If `FSKC2.PRI` is set to 1, frequency symbols $x_s(k)$ of the preamble part of the PPDU are replaced with $-x_s(k)$ at transmit. This setting is not evaluated at receive.
- If `FSKC1.FI` is set to 1, frequency symbols $x_s(k)$ of the whole PPDU are replaced with $-x_s(k)$ at transmit. At receive, the demodulator applies the corresponding inversion.

6.10.2.5 Symbol Rate

The AT86RF215 supports a selection of symbol rates targeting PHY modes according to IEEE Std 802.15.4g™-2012 [3] and ETSI TS 102 887-1 [5], as shown in Table 6-51. The symbol rate $1/T$, is configured with sub-register `FSKC1.SRATE`. Since the sub-core MR-FSK accesses the I/Q data interface with a fixed sampling rate converter, the digital front end (DFE) must be configured with specific settings as a function of the symbol rate, as shown in Table 6-51. For details of the DFE, refer to sections "Transmitter Digital Frontend" on page 43 and "Receiver Digital Frontend" on page 53.

Table 6-51. Symbol Rate Settings

	Symbol Rate $1/T$ [kHz]											
	50		100		150		200		300		400	
AT86RF215 Version	v.1	v.3	v.1	v.3	v.1	v.3	v.1	v.3	v.1	v.3	v.1	v.3
<code>FSKC1.SRATE</code>	0	0	1	1	2	2	3	3	4	4	5	5
TX Interface Rate [kHz]	400	500	800	1000	2000	2000	2000	2000	4000	4000	4000	4000
<code>TXDFE.SR</code>	10	8	5	4	2	2	2	2	1	1	1	1
RX Interface Rate [kHz]	400	400	800	800	1000	1000	1000	1000	2000	2000	2000	2000
<code>RXDFE.SR</code>	10	10	5	5	4	4	4	4	2	2	2	2

6.10.2.6 Modulation Index and Bandwidth Time Product

The complex continuous-phase baseband signal using GFSK depends on the parameters:

- modulation index h
- time bandwidth product BT

For details on GFSK, refer to section "Gaussian Frequency Shift Keying" on page 100.

The modulation index h can be configured with sub-register `FSKC0.MIDX` which is evaluated for both transmit and receive. The sub-register `FSKC0.MIDXS` allows further scaling of the target modulation index. This sub-register is applied at transmit only.

The bandwidth time product BT can be configured with sub-register `FSKC0.BT`. When using 4-level FSK, the following restrictions apply:

- $h \geq 1$
- $BT = 2$

With regard to the definition of the modulation index h in conjunction with 4-level FSK, please refer to section "Gaussian Frequency Shift Keying" on page 100.

6.10.2.7 PHR-PSDU Data Rate

The actual PHR-PSDU data rate f_D depends on the symbol rate $1/T$, the modulation order and whether FEC is enabled, see Table 6-52.

Table 6-52. Data Rate at PHR-PSDU

Modulation Order	FEC enabled	PHR-PSDU Data Rate f_D
2-level	no	$1/T$
4-level	no	$2/T$

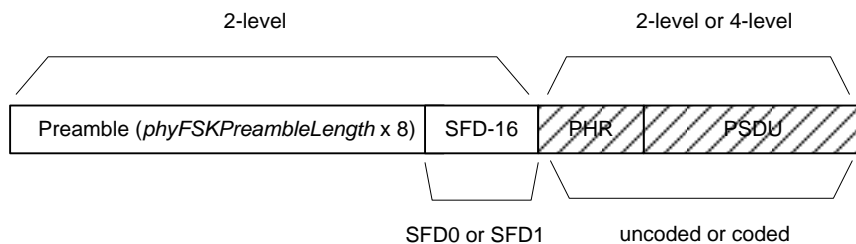
Modulation Order	FEC enabled	PHR-PSDU Data Rate f_D
2-level	yes	$1/(2T)$
4-level	yes	$1/T$

6.10.3 PPDU Types

The structure of the Physical Protocol Data Unit (PPDU) is based on the specification of IEEE Std 802.15.4g™-2012. The standard introduces concurrent sensing (dual sense) of “uncoded” versus “coded” packets, applying predefined pairs of synchronization words (SFD0, SFD1). The term “coded” means that FEC is enabled, whereas “uncoded” means that FEC is disabled.

The AT86RF215 provides extended usage of the dual sense mechanism in order to support simultaneous sensing of proprietary PPDUs and/or IEEE PPDUs. The PPDU types are described below.

6.10.3.1 SFD-16 (SFD0/1 PPDU)



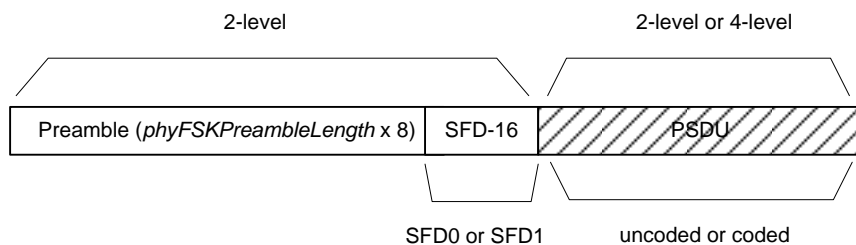
This PPDU is suitable for operation according to IEEE Std 802.15.4g™-2012 [3], containing Preamble, SFD (either SFD0 or SFD1), PHR and PSDU.

The Preamble consists of *phyFSKPreambleLength* multiples of the sequence 01010101, configurable with sub-registers [FSKC1.FSKPLH](#) and [FSKPLL.FSKPLL](#).

The sequence of the SFD consists of 16bits (SFD-16). At transmit, selection of the SFD (either SFD0 or SFD1) is configured with sub-register [FSKPHRTX.SFD](#).

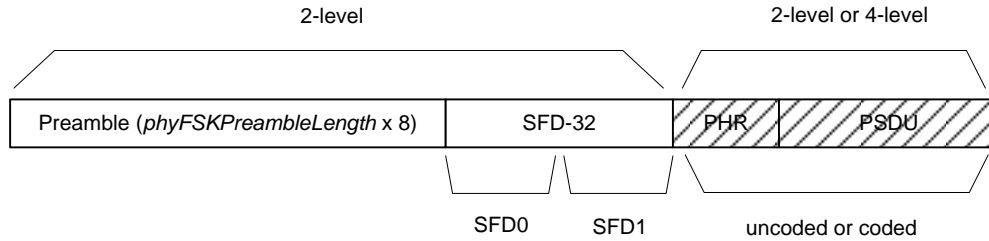
The actual bit sequence of SFD0 and SFD1 can be configured with registers [BBCn_FSKSFD0H](#), [BBCn_FSKSFD0L](#) and [BBCn_FSKSFD1H](#), [BBCn_FSKSFD1L](#), respectively.

6.10.3.2 RAW-SFD-16 (RAW-SFD0/1-PPDU)



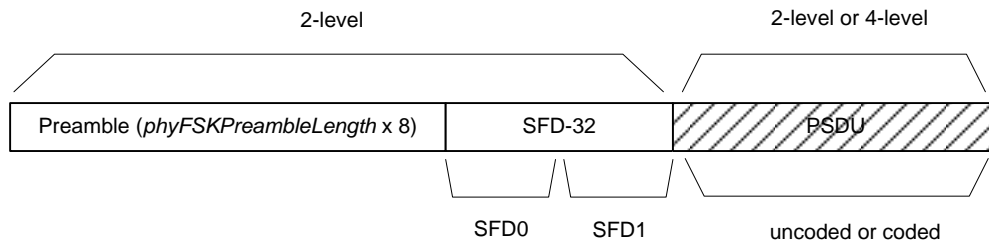
This proprietary PPDU is similar to the SFD0/1-PPDU with the exception that the PHY header field (PHR) is omitted.

6.10.3.3 SFD-32 (SFD0-SFD1-PPDU)



This proprietary PPDU is similar to the SFD0/1-PPDU, except that the SFD part is the concatenation of the synchronization words SFD0 and SFD1 (SFD-32). Dual sense is not supported.

6.10.3.4 RAW-SFD-32 (RAW-SFD0-SFD1-PPDU)



This proprietary PPDU is similar to the SFD0-SFD1-PPDU, except that the PHY header field (PHR) is omitted.

6.10.3.5 PPDU Configuration

Instead of assuming a fixed assignment of SFD0 and SFD1 in the context of IEEE Std 802.15.4g™-2012 [3], (“uncoded” vs. “coded”), the AT86RF215 employs extended interpretation of the SFD.

The interpretation of SFD0 and SFD1 can be configured using sub-registers [FSKC4.CSFD0](#) and [FSKC4.CSFD1](#), respectively. The configuration is evaluated at both, transmit and receive. This supports dual sense or single sense of various PPDU types. At transmit, the actual selection of the SFD (either SFD0 or SFD1) is configured with sub-register [FSKPHRTX.SFD](#). In case [FSKC4.SFD32](#) is set to 1 (single sense), the configuration of [FSKC4.CSFD1](#) is irrelevant.

6.10.4 Transmit Operation and Configuration

6.10.4.1 General Transmit Configuration

The basic settings of modulation and coding can be configured according to ["Coding and Modulation"](#) on page 86. During this configuration, the AT86RF215 shall be in state TRXOFF.

As shown in [Table 6-51](#), the value [TXDFE.SR](#) must be set according to the symbol rate. The other settings of the transmitter frontend are more flexible depending on the spectral requirements. Recommended values for modulation index ½ and 1 are shown in [Table 6-53](#) and [Table 6-54](#), respectively.

Table 6-53. Recommended Configuration of the Transmitter Frontend (modulation index 0.5)

Register	Symbol Rate [kHz]					
	50	100	150	200	300	400
TXCUTC.PARAMP	3	2	2	2	1	1
TXCUTC.LPFCUT	0	1	3	4	6	7
TXDFE.RCUT	0	0	0	0	0	0

Table 6-54. Recommended Configuration of the Transmitter Frontend (modulation index 1)

Register	Symbol Rate [kHz]					
	50	100	150	200	300	400
TXCUTC.PARAMP	3	2	2	2	1	1
TXCUTC.LPFCUT	0	3	5	6	8	9
TXDFE.RCUT	4	4	4	4	4	4

Table 6-55 and Table 6-56 provide the complete list of possible register settings in order to enable FEC. The notation “[1]”, refers to the MSB of the corresponding register.

Table 6-55. Enabling FEC (FSKC4.SFD32 = 0)

Register	Value			
FSKPHRTX.SFD	0		1	
FSKC4.CSFD0[1]	0	1	-	-
FSKC4.CSFD1[1]	-	-	0	1
FEC enabled	no	yes	no	yes

Table 6-56. Enabling FEC (FSKC4.SFD32 = 1)

Register	Value	
FSKC4.CSFD0[1]	0	1
FEC enabled	no	yes

Prior to transmission, the AT86RF215 must be in state TXPREP, see section "State Machine" on page 33. A transmission is initiated with register CMD.CMD set to TX, see "State Machine" on page 33. Assembly of a complete PPDU is performed autonomously, including all signal processing steps, such as FEC, interleaving, and modulation.

6.10.4.2 Direct Modulation RF215 v.3 (RF_VN = 0x03)

AT86RF215 v.3 provides the additional feature to set the transmitter to direct modulation. The direct modulation shall be used for all FSK modes. It improves the modulation quality especially at high output power (>8dBm).

The direct modulation is enabled by:

- Sub-register TXDFE.DM = 1
- Sub-register FSKDM.EN = 1

The FSK modulation quality can be optimized by setting pre-emphasis filter. The pre-emphasis filter settings depend on the symbol rate and have the same settings for 2-FSK and 4-FSK. It is recommended to enable the pre-emphasis filtering by sub-register FSKDM.PE=1 and choose following pre-emphasis filter setting:

Table 6-57. Pre-emphasis setting for FSK direct modulation

Symbol Rate	Sub-register FSKPE0	Sub-register FSKPE1	Sub-register FSKPE2
50kHz	0x02	0x03	0xFC
100kHz	0x0E	0x0F	0xF0
150kHz	0x3C	0x3F	0xC0
200kHz	0x74	0x7F	0x80
300kHz	0x05	0x3C	0xC3
400kHz	0x13	0x29	0xC7

When the direct modulation ($TXDFE.DM = 1$, $FSKDM.EN = 1$) is enabled together with pre-emphasis ($FSKDM.PE=1$), adjusting the bandwidth time product BT by register $FSKC0.BT$ is without effect.

It is therefore recommended to apply pre-emphasis only for symbol rates above 100kHz.

6.10.4.3 IEEE Mode

For a PPDU without mode switch (see, [3] sub-clause 18.1.1), the PHR sub-fields shall be configured as indicated in Figure 6-19.

Figure 6-19. MR-FSK TX-PHR

MS	R ₁	R ₀	FCS	DW	L ₁₀ -L ₀
0	FSKPHRTX.RB1	FSKPHRTX.RB2	PC.FCST	FSKPHRTX.DW	BBCn_TXFLH,BBCn_TXFLL

In order to configure and transmit a PPDU with mode switch (see, [3] sub-clause 18.1.1), the RAW mode shall be applied, see section "RAW Mode" below. In this case, the 16 PHR bits shall be considered as a 2 octet PSDU to be stored in the TX frame buffer. Since the RAW mode can be combined with FEC, the AT86RF215 supports transmit of a coded mode switch PPDU.

6.10.4.4 RAW Mode

The RAW mode can be enabled, according to the settings shown in Table 6-58 and Table 6-59. The notation "[0]", refers to the LSB of the corresponding register.

Table 6-58. Enabling RAW Mode ($FSKC4.SFD32 = 0$)

Register	Value			
FSKPHRTX.SFD	0		1	
FSKC4.CSFD0[0]	0	1	-	-
FSKC4.CSFD1[0]	-	-	0	1
RAW mode enabled	no	yes	no	yes

Table 6-59. Enabling RAW Mode (FSKC4.SFD32 = 1)

Register	Value	
FSKC4.CSFD0[0]	0	1
RAW mode enabled	no	yes

In RAW mode, assembly of the PHR is bypassed. Information of the TX frame buffer is passed to the baseband processor octet by octet. In contrast to the IEEE mode, the bit order of each octet can be configured with sub-register [FSKC4.RAWRBIT](#). The PSDU length can be configured with registers [BBCn_TXFLH](#) and [BBCn_TXFLL](#).

In RAW mode, the following baseband functionality is always disabled:

- Whitening,
- Automatic FCS computation.

6.10.5 Receive Operation and Configuration

6.10.5.1 General Receive Configuration

The settings for coding and modulation can be configured according to "[Coding and Modulation](#)" on page 86. During this configuration, the AT86RF215 shall be in state TRXOFF.

As shown in [Table 6-51](#), the value [RXDFE.SR](#) must be set according to the symbol rate. The other settings of the receiver frontend are more flexible. Due to higher allowed radio frequency tolerance according to [\[3\]](#), clause 18.1.5.3., and the requirements for receiver interference rejection, clause 18.1.5.8, it is advantageous to separate the receiver frontend configurations into a sub-1GHz and a 2.4 GHz section.

Recommended values for modulation index $\frac{1}{2}$ and 1 in sub-1GHz band are shown in [Table 6-60](#) and [Table 6-62](#), respectively. Recommended values for modulation index $\frac{1}{2}$ and 1 in 2.4GHz band are shown in [Table 6-61](#) and [Table 6-63](#), respectively.

Table 6-60. Recommended Configuration values of the sub-1GHz Receiver Frontend (modulation index 1/2)

Register	Symbol Rate [kHz]					
	50	100	150	200	300	400
RXBWC.BW	0	1	3	3	5	6
RXBWC.IFS	0	0	0	0	1	0
RXDFE.RCUT	0	0	0	1	0	0
AGCC.AVGS	0	0	0	0	0	0
AGCS.TGT	1	1	1	1	1	1

Table 6-61. Recommended Configuration values of the 2.4GHz Receiver Frontend (modulation index 1/2)

Register	Symbol Rate [kHz]					
	50	100	150	200	300	400
RXBWC.BW	0	1	3	4	6	7
RXBWC.IFS	0	0	0	0	0	0
RXDFE.RCUT	0	0	0	1	0	1
AGCC.AVGS	0	0	0	0	0	0
AGCS.TGT	1	1	1	1	1	1

Table 6-62. Recommended Configuration values of the sub-1GHz Receiver Frontend (modulation index 1)

Register	Symbol Rate [kHz]					
	50	100	150	200	300	400
RXBWC.BW	0	3	4	5	6	8
RXBWC.IFS	0	0	0	1	0	1
RXDFE.RCUT	1	1	1	2	1	1
AGCC.AVGS	0	0	0	0	0	0
AGCS.TGT	1	1	1	1	1	1

Table 6-63. Recommended Configuration values of the 2.4 GHz Receiver Frontend (modulation index 1)

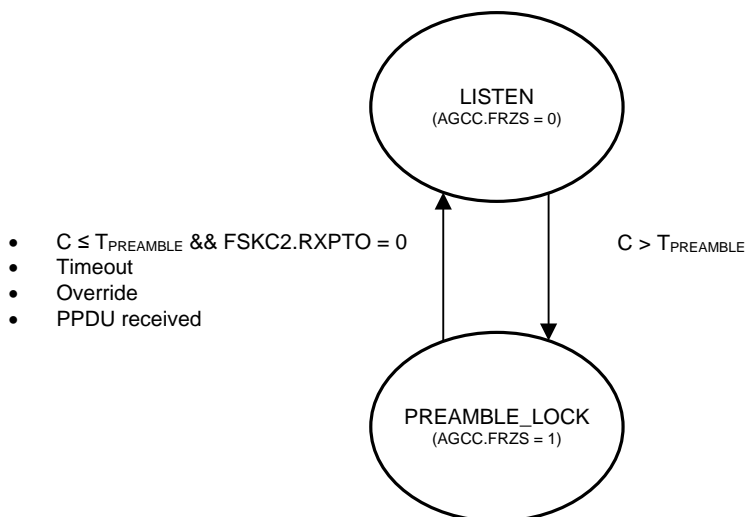
Register	Symbol Rate [kHz]					
	50	100	150	200	300	400
RXBWC.BW	1	4	6	6	7	8
RXBWC.IFS	0	0	0	0	0	1
RXDFE.RCUT	1	1	2	3	1	2
AGCC.AVGS	0	0	0	0	0	0
AGCS.TGT	1	1	1	1	1	1

6.10.5.2 Preamble Detection

During preamble search, the sub-core is in state LISTEN. This state can be observed with `AGCC.FRZS = 0`.

The receiver scans for a preamble pattern by doing advanced signal processing on the correlator output (value C) and comparing the result to a threshold $T_{PREMABLE}$.

Figure 6-20. Simplified State Diagram of Preamble Detector



The threshold can be adjusted by sub-register [FSKC3.PDT](#). If the value is above the threshold, the sub-core goes to state PREAMBLE_LOCK. This state can be observed with [AGCC.FRZS](#) = 1.

If sub-register [FSKC2.RXPTO](#) is set to 1, the state PREAMBLE_LOCK is left if no synchronization word has been detected within the time of the configured preamble length (timeout). In this configuration, the settings of the preamble length ([FSKC1.FSKPLH](#) and [FSKPLL.FSKPLL](#)) shall be equivalent for both, transmit and receive.

If sub-register [FSKC2.RXPTO](#) is set to 0, the state PREAMBLE_LOCK is left if the correlation C value is no longer above the threshold. In this configuration, the settings of the preamble length can be different for transmit and receive.

Assuming default settings for [FSKC3.PDT](#) and [FSKC2.PDTM](#) set to 1, the minimum preamble length for robust performance is shown in [Table 6-64](#).

Table 6-64. Minimum Preamble Length

Symbol Rate [kHz]	Minimum Preamble Length [octets]
50	2
100	3
150	8
200	8
300	8
400	10

6.10.5.3 Synchronization Word Detection

Prior to synchronization word detection, the sub-core must be in state PREAMBLE_LOCK, see section "[Preamble Detection](#)" on page 94.

Synchronization word detection is based on correlation of the expected synchronization words w_0 (SFD0, configured with [BBCn_FSKSFD0H](#), [BBCn_FSKSFD0L](#)) and w_1 (SFD1, configured with [BBCn_FSKSFD1H](#), [BBCn_FSKSFD1L](#)) with the sequence of binary frequency estimates obtained from the demodulator.

For dual sense ($FSKC4.SFD32 = 0$), the receiver simultaneously checks for hypothesis H_0 and H_1 . The hypothesis H_0 is considered true ($H_0 = 1$) if the corresponding correlation with w_0 is above a threshold. Similar, the hypothesis H_1 is considered true ($H_1 = 1$) if the corresponding correlation with w_1 is above a threshold. For further details on the SFD correlation, please refer to section "SFD-Correlation" on page 100.

Based on H_0 and H_1 , the receiver proceeds as shown in Table 6-65. The decision is indicated with $FSKPHRRX.SFD$. Note that the receiver prefers configuration $FSKC4.CSFD0$, in case both hypothesis are true.

Table 6-65. Decision at Dual Sense Mode

H_0	H_1	Decision
0	0	None
1	0	Receiver applies configuration $FSKC4.CSFD0$ and indicates $FSKPHRRX.SFD = 0$.
0	1	Receiver applies configuration $FSKC4.CSFD1$ and indicates $FSKPHRRX.SFD = 1$.
1	1	Receiver applies configuration $FSKC4.CSFD0$ and indicates $FSKPHRRX.SFD = 0$.

For single sense ($FSKC4.SFD32 = 1$), the receiver checks for a single hypothesis H only. The hypothesis is considered true ($H = 1$) if two consecutive correlations with w_0 and w_1 are above a threshold. For further details on the SFD correlation refer to section "SFD-Correlation" on page 100.

Based on H , the receiver proceeds as shown in Table 6-66.

Table 6-66. Decision at Single Sense Mode

H	Decision
0	None
1	Receiver applies configuration $FSKC4.CSFD0$ and always indicates $FSKPHRRX.SFD = 0$.

The synchronization word detector makes two independent decisions according to the "winning" configuration of $FSKC4.CSFD0$ and $FSKC4.CSFD1$, respectively:

1. RAW mode is enabled or disabled
2. FEC is enabled or disabled.

The decisions affect consecutive decoding steps.

The threshold configuration $FSKC3.SFDT$ influences the tolerance with regard to correlation errors. A large threshold reduces the probability of false synchronization events. However, if FEC is to be supported, it is recommended setting $FSKC3.SFDT = 8$ in order to benefit from the coding plus processing gain (approx. 5-6dB) introduced by rate $\frac{1}{2}$ convolutional coding.

The synchronization quality (probability of false synchronization, receiver sensitivity) is also influenced by the distance properties of the synchronization words, especially for dual sense. The standard provides suitable pairs, see IEEE Std 802.15.4g™-2012 [3] sub-clause 18.1.1.2.

If pre-defined synchronization words with sub-optimal distance properties have to be used, it is recommended applying a larger threshold at the expense of decreased sensitivity. In particular, it is recommended setting

- $FSKC3.SFDT = 15$
- $FSKC4.SFDQ = 1$

Based on these settings, the receiver scans for synchronization words matching all bit decisions and discards the PPDU otherwise.

Dual sense can be disabled with either of the following methods:

- Set `FSKC4.SFD32` = 0 and assign equal synchronization word entries to (`BBCn_FSKSFD0H`, `BBCn_FSKSFD0L`) and (`BBCn_FSKSFD1H`, `BBCn_FSKSFD1L`).
- Set `FSKC4.SFD32` = 1 and assign preamble bits to (`BBCn_FSKSFD0H`, `BBCn_FSKSFD0L`).

6.10.5.4 IEEE Mode

If (after synchronization word detection) the receiver proceeds with non-RAW mode, the receiver autonomously performs evaluation of the PHR bits. Two cases have to be distinguished:

- PPDU without switch mode and
- PPDU with switch mode.

PPDU without mode switch

If the first detected information bit (MS, see [Figure 6-19](#)) of the PHR is 0 or mode switch detection is disabled (sub-register `FSKC2.MSE` is set to 0), the receiver autonomously scans for the remaining PHR bits according to IEEE Std 802.15.4g™-2012 [3] sub-clause 18.1.1.3. and performs:

- Detection of the FCS type,
- De-whitening (if `DW` = 1),
- PSDU length evaluation.

Available PPDU based receiver status information are shown in [Table 6-67](#).

Table 6-67. Receiver Status

Status	Register	Description
Frame length	<code>BBCn_RXFLL</code> , <code>BBCn_RXFLH</code>	The detected PSDU length in octets.
MS	<code>FSKPHRRX.MS</code>	If <code>MS</code> =1, a mode switch PPDU has been detected.
Reserved bit <code>R₁</code>	<code>FSKPHRTX.RB1</code>	The value of the first detected reserved bit <code>R₁</code> .
Reserved bit <code>R₀</code>	<code>FSKPHRTX.RB2</code>	The value of the second detected reserved bit <code>R₀</code> .
FCST	<code>FSKPHRRX.FCST</code>	The value of the detected FCS type.
DW	<code>FSKPHRTX.DW</code>	The value of the detected DW bit. If <code>DW</code> =1, de-whitening is automatically applied at PSDU.
SFD	<code>FSKPHRTX.SFD</code>	Indicates the decision of the synchronization word detector, see section " Synchronization Word Detection " on page 95.
Received signal power	<code>EDV.EDV</code>	An estimate of the received signal power in dBm of the frame.

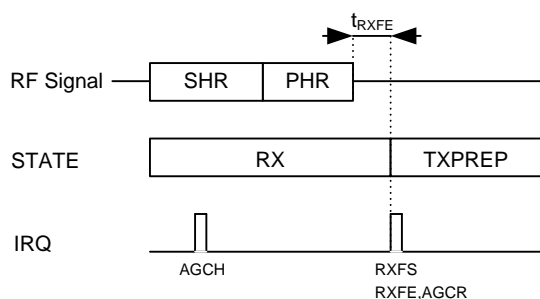
Frames with detected PSDU length field entries equal to 0 are automatically discarded (no frame start interrupt RXFS). The interrupt behavior is shown in [Figure 6-16 on page 83](#).

PPDU with mode switch

If the first detected information bit (MS, see [Figure 6-19](#)) of the PHR is 1 and mode switch detection is enabled (sub-register [FSKC2.MSE](#) is set to 1), the 16 PHR bits of a mode switch PPDU are written to the frame buffer without regard to their content. In this case, the bit order can be configured with sub-register [FSKC4.RAWRBIT](#). The status information of bit MS is stored in sub-register [FSKPHRRX.MS](#) indicating that a mode switch packet has been received. Status information contained in [FSKPHRTX.RB1](#), [FSKPHRTX.RB2](#), [FSKPHRRX.FCST](#), and [FSKPHRRX.DW](#) are invalid and shall be ignored. The interrupt behavior is shown in [Figure 6-21](#). Upon detection of a mode switch PPDU, the following baseband functionality is automatically disabled:

- FCS evaluation and FCS filtering,
- Address filtering.

Figure 6-21. Baseband Interrupts during Frame Receive (mode switch PPDU)

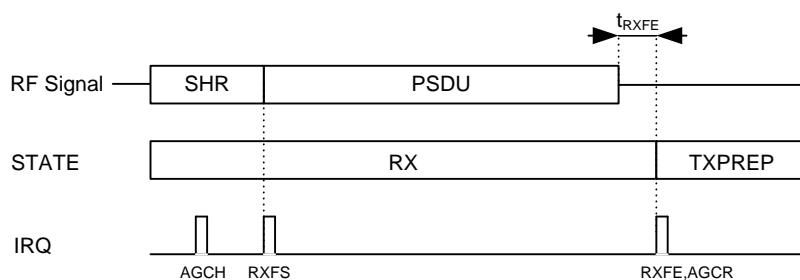


6.10.5.5 RAW Mode

If (after synchronization word detection) the receiver proceeds with RAW mode operation, the decoded PSDU bits are directly written to the frame buffer octet by octet. In contrast to the IEEE mode, the bit order of each octet can be configured with sub-register [FSKC4.RAWRBIT](#). Due to the lack of a pre-defined PHY header (PHR), information about the expected PSDU length shall be programmed to registers [BBCn_FSKRRXFLH](#) and [BBCn_FSKRRXFLF](#). The expected PSDU length must be programmed to the RX frame length fields before the interrupt RXFS occurs. The interrupt behavior is shown in [Figure 6-22](#). In RAW mode, the following baseband functionalities are always disabled:

- De-whitening,
- FCS evaluation and FCS filtering,
- Address filtering.

Figure 6-22. Baseband Interrupts during Frame Receive (RAW mode)



In case the synchronization word detector decides for a coded RAW-PPDU, the content written to the frame buffer is based on the information bits obtained from de-interleaving and de-coding. In this case, the bits are actually not truly “raw”. It should be noted, that FEC applies terminated convolutional codes. Hence, care must be taken with respect to the settings of the length information ([BBCn_FSKRRXFLH](#) and [BBCn_FSKRRXFLI](#)).

6.10.5.6 Receiver Override

The AT86RF215 supports receiver override (RXO) in order to mitigate the capture effect. The receiver goes back to state LISTEN if both applies:

- the preamble detector is in state `PREAMBLE_LOCK`,
- the receiver strength rapidly increases above a threshold.

The threshold can be configured with sub-register [FSKC2.RXO](#). If set to 3, RXO is disabled.

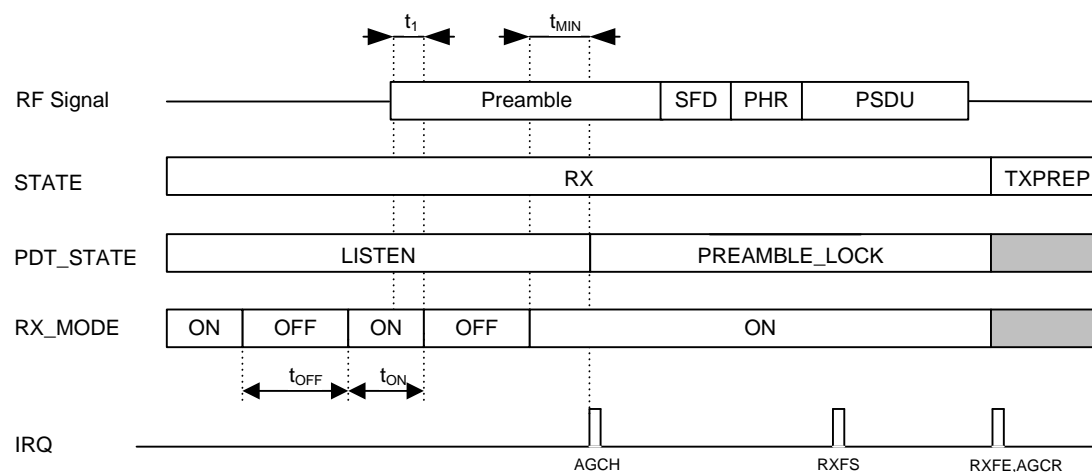
6.10.5.7 Reduced Power Consumption (RPC)

The MR-FSK core supports receive operation with reduced power consumption (RPC) during state LISTEN. RPC is enabled with sub-register [FSKRPC.EN](#) set to 1.

The principle applied for power saving is illustrated in [Figure 6-23](#). If RPC is enabled, the baseband core automatically toggles between two internal receive modes ON and OFF. During receive mode OFF, the blocks of the receiver front end are switched off. The corresponding blocks are enabled, once the baseband is in receive mode ON.

Apparently, preamble detection is only enabled at receive mode ON. As illustrated in [Figure 6-23](#), the preamble of the incoming frame could not be detected at the first time interval t_1 during receive mode ON. At the consecutive time interval with receive mode ON, the duration t_{MIN} was sufficient for preamble detection leading to state `PREAMBLE_LOCK`. From this time, the transition to OFF is automatically blocked, leading to normal receive operation of the remaining PPDU signal. The AT86RF215 indicates state RX during receive regardless of the receive mode ON/OFF.

Figure 6-23. RPC Mode



The minimal ON time t_{ON} equates to the minimal preamble length of the receiver which depends on the FSK symbol rate, see [Table 6-64](#). When configuring the RX preamble length to <8 the register [FSKC2.PDTM](#) must be set to 1.

In order to assure reliable preamble detection, the following settings are recommended:

- $t_{ON} = t_{MIN}$ (minimal RX preamble length, [Table 6-64](#))
- $2t_{ON} + t_{OFF} \leq t_{TX-Preamble}$

Consequently, TX and RX device have different settings for the preamble length, and sub-register FSKC2.RXPTO must be set to 0. There is one register set for preamble length setting (BBCn_FSKPLL, FSKC1.FSKPLH) for the receive and transmit mode, at transmission the preamble length needs to be re-configured this includes the ACK and also the automatic ACK (AACK) feature.

The duration t_{ON} can be configured with register BBCn_FSKRPCONT and sub-register FSKRPC.BASET.

The duration t_{OFF} can be configured with register BBCn_FSKRPCOFFT and sub-register FSKRPC.BASET.

The RPC mode should not be used during energy measurement, see section "Energy Measurement" on page 56.

Energy measurements during RPC may lead to incorrect energy detection values EDV.EDV. Also RSSI values may not be correct RFn_RSSI.

6.10.6 Appendix

6.10.6.1 Gaussian Frequency Shift Keying

The phase of the ideal continuous-phase baseband signal using Gaussian Frequency Shift Keying (GFSK) is given as

$$\phi(t) = \frac{h\pi}{T} \int_0^t \sum_k x_s(k) g_{BT}(\tau - kT) d\tau$$

with discrete-time frequency symbol sequence $\{x_s(k)\}$, symbol rate $1/T$, and modulation index h .

The corresponding frequency deviation is defined as $f_{dev} = \frac{h}{2T}$.

The Gaussian impulse g_{BT} is defined as

$$g_{BT}(t) = \frac{1}{2} \left[\operatorname{erf} \left(\alpha \left(\frac{t}{T} + \frac{1}{2} \right) \right) - \operatorname{erf} \left(\alpha \left(\frac{t}{T} - \frac{1}{2} \right) \right) \right], \quad \alpha = \sqrt{\frac{2}{\ln 2}} \pi BT \text{ and } \operatorname{erf}(t) = \frac{2}{\sqrt{\pi}} \int_0^t \exp(-\tau^2) d\tau$$

depending on the bandwidth time product BT .

Based on this definition, the modulation index h is independent of the alphabet of the frequency values $x_s(k)$. In

particular, 4-level FSK uses inner frequency values $x_s(k) \in \{-\frac{1}{3}, +\frac{1}{3}\}$ in addition to outer frequency values

$x_s(k) \in \{-1, +1\}$, see Table 6-50. This should be taken into consideration when configuring the device with Filtered 4FSK according to IEEE Std 802.15.4g™-2012 [3], which uses a slightly different definition of the modulation index. The modulation index of 0.33 for Filtered 4FSK is obtained with $h = 1$, which in turn is configured with sub-register FSKC0.MIDX = 3.

6.10.6.2 SFD-Correlation

Synchronization word detection is based on correlation of the expected synchronization words w_0 (SFD0, configured with BBCn_FSKSFD0H, BBCn_FSKSFD0L) and w_1 (SFD1, configured with BBCn_FSKSFD1H, BBCn_FSKSFD1L) with the sequence of binary frequency estimates $\{\hat{x}_s(k)\}$ obtained from the demodulator.

The synchronization word detector applies soft-decisions in order to support a quality criterion of the correlation. The frequency estimates (obtained from the demodulator at the symbol rate) are quantized soft values from the set $\{-7, -6, \dots, -1, 0, +1, \dots, +7\}$ with

- -7 indicating a very reliable estimate of a negative frequency,
- 0 indicating a completely unreliable frequency estimate,

- +7 indicating a very reliable estimate of a positive frequency.

For dual sense (**FSKC4.SFD32** = 0), the receiver simultaneously checks for hypothesis H_0 and H_1 related to the synchronization words w_0 and w_1 , respectively:

$$H_p : \sum_{n=0}^{15} w_p(n) \hat{x}_s(k+n) > T_{\text{SFD}} \text{ with } p = 0,1$$

The threshold is given as

$$T_{\text{SFD}} = 7 \times \text{FSKC3.SFDT}$$

For single sense (**FSKC4.SFD32** = 1), a synchronization word is considered as detected if

$$H : \sum_{n=0}^{15} w_0(n) \hat{x}_s(k+n) > T_{\text{SFD}} \text{ and } \sum_{n=0}^{15} w_1(n) \hat{x}_s(k+n+16) > T_{\text{SFD}}$$

Setting **FSKC4.SFDQ** = 1 forces soft values to hard quantized values (either -7 if negative or +7 if non-negative) prior to correlation.

6.10.7 Register Description

6.10.7.1 BBCn_FSKC0 – FSK Configuration Byte 0

This register configures the FSK PHY.

Bit	7	6	5	4	3	2	1	0	
	BT		MIDXS		MIDX		MORD		BBCn_FSKC0
Read/Write	RW	RW	RW	RW	RW	RW	RW	RW	
Initial Value	1	1	0	1	0	1	1	0	

- **Bit 7:6 – FSKC0.BT: FSK Bandwidth Time Product**

These bits configure the shaping for filtered FSK modulation, where B is the 3 dB bandwidth of the shaping filter and T is the FSK symbol period.

Table 6-68. BT

Sub-register	Value	Description
BT	0x0	BT = 0.5
	0x1	BT = 1.0
	0x2	BT = 1.5
	0x3	BT = 2.0

- **Bit 5:4 – FSKC0.MIDXS: Modulation Index Scale**

These bits configure the scaling factor s with regard to MIDX. The effectively applied modulation index results in the modulation index configured with MIDX times s .

Table 6-69. MIDXS

Sub-register	Value	Description
MIDXS	0x0	s = 1.0 - 1/8
	<u>0x1</u>	s = 1.0
	0x2	s = 1.0 + 1/8
	0x3	s = 1.0 + 1/4

- **Bit 3:1 – FSKC0.MIDX: Modulation Index**

These bits configure the modulation index.

Table 6-70. MIDX

Sub-register	Value	Description
MIDX	0x0	Modulation index = 0.375
	0x1	Modulation index = 0.5
	0x2	Modulation index = 0.75
	<u>0x3</u>	Modulation index = 1.0
	0x4	Modulation index = 1.25
	0x5	Modulation index = 1.5
	0x6	Modulation index = 1.75
	0x7	Modulation index = 2.0

- **Bit 0 – FSKC0.MORD: FSK Modulation Order**

This bit configures the modulation order.

Table 6-71. MORD

Sub-register	Value	Description
MORD	<u>0x0</u>	2-FSK
	0x1	4-FSK

6.10.7.2 BBCn_FSKC1 – FSK Configuration Byte 1

This register configures the FSK PHY.

Bit	7	6	5	4	3	2	1	0	
	FSKPLH		FI	–	SRATE				BBCn_FSKC1
Read/Write	RW	RW	RW	RW	RW	RW	RW	RW	
Initial Value	0	0	0	0	0	0	0	0	

- **Bit 7:6 – FSKC1.FSKPLH: FSK Preamble Length High Byte**

The FSK preamble length in octets is configured by the 10-bit setting {FSKPLH,FSKPLL}.

- **Bit 5 – FSKC1.FI: Frequency Inversion**

If this bit is set to 1, the sign of the FSK deviation frequency is inverted.

- **Bit 3:0 – FSK1.SRATE: MR-FSK Symbol Rate**

Table 6-72. SRATE

Sub-register	Value	Description
SRATE	0x0	50kHz
	0x1	100kHz
	0x2	150kHz
	0x3	200kHz
	0x4	300kHz
	0x5	400kHz

6.10.7.3 BBCn_FSK2 – FSK Configuration Byte 2

This register configures the FSK PHY.

Bit	7	6	5	4	3	2	1	0	
	PDTM	RXO		RXPTO	MSE	PRI	FECs	FECIE	BBCn_FSK2
Read/Write	RW	RW	RW	RW	RW	RW	RW	RW	
Initial Value	0	1	0	0	0	0	0	1	

- **Bit 7 – FSK2.PDTM: Preamble Detection Mode**

This sub-field configures the preamble detection mode for the MR-FSK-PHY. It is recommended to enable this sub-register only if the preamble length is less than 8 octets.

Table 6-73. PDTM

Sub-register	Value	Description
PDTM	0x0	Preamble detection does not take RSSI values into account
	0x1	Preamble detection takes RSSI values into account.

- **Bit 6:5 – FSK2.RXO: Receiver Override**

If Receiver Override is enabled during frame reception, the FSK receiver restarts synchronization after a rapid input signal increase. The minimum input signal level is -110dBm.

Table 6-74. RXO

Sub-register	Value	Description
RXO	0x0	Receiver restarted by > 6dB stronger frame
	0x1	Receiver restarted by >12dB stronger frame
	0x2	Receiver restarted by >18dB stronger frame
	0x3	Receiver override disabled

- **Bit 4 – FSK2.RXPTO: Receiver Preamble Time Out**

If this bit is set to 1, the FSK receiver restarts synchronization if no valid SFD field was found within a complete FSK preamble length period {FSKPLH,FSKPLL}. If this bit is set to 0, the FSK receiver restarts synchronization upon lost preamble autocorrelation if no valid SFD field was found.

Table 6-75. RXPTO

Sub-register	Value	Description
RXPTO	0x0	Receiver preamble timeout disabled
	0x1	Receiver preamble timeout enabled

- **Bit 3 – FSKC2.MSE: Mode Switch Enable**

If this bit is set to 1, the mode switch PHR bit of an incoming frame is evaluated.

Table 6-76. MSE

Sub-register	Value	Description
MSE	0x0	Mode Switch disabled
	0x1	Mode Switch enabled

- **Bit 2 – FSKC2.PRI: Preamble Inversion**

If this bit is set to 1, the sign of the FSK deviation frequency belonging to the preamble part is inverted.

- **Bit 1 – FSKC2.FECS: FEC Scheme**

If this bit is set to 0, a non-recursive and non-systematic convolutional code (NRNSC) is employed. Otherwise, a recursive and systematic convolutional code (RSC) is employed.

Table 6-77. FECS

Sub-register	Value	Description
FECS	0x0	NRNSC
	0x1	RSC

- **Bit 0 – FSKC2.FECIE: FEC Interleaving Enable**

If MR-FSK forward error correction is enabled, this bit allows to enable or disable code-symbol interleaving.

Table 6-78. FECIE

Sub-register	Value	Description
FECIE	0x0	Interleaving disabled
	0x1	Interleaving enabled

6.10.7.4 BBCn_FSKC3 – FSK Configuration Byte 3

This register configures the FSK PHY.

Bit	7	6	5	4	3	2	1	0	
	SFDT				PDT				BBCn_FSKC3
Read/Write	RW	RW	RW	RW	RW	RW	RW	RW	
Initial Value	1	0	0	0	0	1	0	1	

- **Bit 7:4 – FSKC3.SFDT: SFD Detection Threshold**

Lower values increase the SFD detector sensitivity. Higher values increase the SFD selectivity. The default value 8 is recommended for simultaneous sensing of the SFD pairs according to IEEE 802.15.4g. It is recommended to set SFDT=15 and SFDQ=1 for SFD patterns with weak or unknown cross-correlation properties.

- **Bit 3:0 – FSKC3.PDT: Preamble Detection Threshold**

Lower values increase the preamble detector sensitivity.

6.10.7.5 BBCn_FSKC4 – FSK Configuration Byte 4

This register configures the FSK PHY.

Bit	7	6	5	4	3	2	1	0	
	–	SFDQ	SFD32	RAWRBIT	CSFD1		CSFD0		BBCn_FSKC4
Read/Write	R	RW	RW	RW	RW	RW	RW	RW	
Initial Value	0	0	0	1	1	0	0	0	

- **Bit 6 – FSKC4.SFDQ: SFD Quantization**

If this bit is set to 1, the FSK receiver applies a hard decisions rather than a soft decisions at the bit positions with regard to SFD search.

- **Bit 5 – FSKC4.SFD32: SFD 32Bit**

If this bit is zero, the FSK receiver simultaneously searches for two 16-bit SFD fields configured with {FSKSFD0H;FSKSFD0L} and {FSKSFD1H;FSKSFD1L}, respectively. If this bit is set to 1, the FSK receiver searches for a single 32-bit SFD {FSKSFD1H;FSKSFD1L;FSKSFD0H;FSKSFD0L}. (LSB 1st)

Table 6-79. SFD32

Sub-register	Value	Description
SFD32	0x0	Search for two 16-bit SFD
	0x1	Search for a single 32-bit SFD

- **Bit 4 – FSKC4.RAWRBIT: RAW mode Reversal Bit**

This bit configures the bit order of the payload octets in RAW mode. If set to 1, the order is MSB first.

- **Bit 3:2 – FSKC4.CSFD1: Configuration of PPDU with SFD1**

This register configures the PPDU with SFD1.

Table 6-80. CSFD1

Sub-register	Value	Description
CSFD1	0x0	Uncoded IEEE mode
	0x1	Uncoded RAW mode
	0x2	Coded IEEE mode
	0x3	Coded RAW mode

- **Bit 1:0 – FSKC4.CSFD0: Configuration of PPDU with SFD0**

This register configures the PPDU with SFD0.

Table 6-81. CSFD0

Sub-register	Value	Description
CSFD0	0x0	Uncoded IEEE mode
	0x1	Uncoded RAW mode
	0x2	Coded IEEE mode
	0x3	Coded RAW mode

6.10.7.6 BBCn_FSKPLL – FSK Preamble Length Low Byte

This register configures the FSK Preamble Length.

Bit	7	6	5	4	3	2	1	0	
	FSKPLL								BBCn_FSKPLL
Read/Write	RW	RW	RW	RW	RW	RW	RW	RW	
Initial Value	0	0	0	0	1	0	0	0	

- **Bit 7:0 – FSKPLL.FSKPLL: FSK Preamble Length Low Byte**

This setting controls the FSK preamble length transmitted. The preamble length in octets is configured with the 10 bit setting {FSKPLH,FSKPLL}.

6.10.7.7 BBCn_FSKSFD0L – FSK SFD0 Low Byte

Bit	7	6	5	4	3	2	1	0	
	FSKSFD0L								BBCn_FSKSFD0L
Read/Write	RW	RW	RW	RW	RW	RW	RW	RW	
Initial Value	0	0	0	0	1	0	0	1	

- **Bit 7:0 – FSKSFD0L.FSKSFD0L: FSK SFD0 Low Byte**

The register is the low byte of FSK start-of-frame delimiter SFD0. (LSB 1st)

6.10.7.8 BBCn_FSKSFD0H – FSK SFD0 High Byte

Bit	7	6	5	4	3	2	1	0	
	FSKSFD0H								BBCn_FSKSFD0H
Read/Write	RW	RW	RW	RW	RW	RW	RW	RW	
Initial Value	0	1	1	1	0	0	1	0	

- **Bit 7:0 – FSKSFD0H.FSKSFD0H: FSK SFD0 High Byte**

The register is the high byte of FSK start-of-frame delimiter SFD0. (LSB 1st)

6.10.7.9 BBCn_FSKSFD1L – FSK SFD1 Low Byte

Bit	7	6	5	4	3	2	1	0	
	FSKSFD1L								BBCn_FSKSFD1L
Read/Write	RW	RW	RW	RW	RW	RW	RW	RW	
Initial Value	1	1	1	1	0	1	1	0	

- **Bit 7:0 – FSKSFD1L.FSKSFD1L: FSK SFD1 Low Byte**

The register is the low byte of FSK start-of-frame delimiter SFD1. (LSB 1st)

6.10.7.10 BBCn_FSKSFD1H – FSK SFD1 High Byte

Bit	7	6	5	4	3	2	1	0	
	FSKSFD1H								BBCn_FSKSFD1H
Read/Write	RW	RW	RW	RW	RW	RW	RW	RW	
Initial Value	0	1	1	1	0	0	1	0	

- **Bit 7:0 – FSKSFD1H.FSKSFD1H: FSK SFD1 High Byte**

The register is the high byte of FSK start-of-frame delimiter SFD1. (LSB 1st)

6.10.7.11 BBCn_FSKPHRTX – FSK PHR TX Information

This register controls the FSK PHR and SHR for the next transmit frame.

Bit	7	6	5	4	3	2	1	0	
	–	–	–	–	SFD	DW	RB2	RB1	BBCn_FSKPHRTX
Read/Write	R	R	R	R	RW	RW	RW	RW	
Initial Value	0	0	0	0	0	1	0	0	

- **Bit 3 – FSKPHRTX.SFD: SFD type**

This bit configures the SFD type of the next transmitted MR-FSK frame.

Table 6-82. SFD

Sub-register	Value	Description
SFD	0x0	SFD0 is used
	0x1	SFD1 is used

- **Bit 2 – FSKPHRTX.DW: Data Whitening**

This bit corresponds to the IEEE Std 802.15.4g-2012 PIB attribute phyFSKScramblePSDU. If this bit is set to 1, the data whitening of the PSDU is enabled, otherwise data whitening of the PSDU is disabled.

Table 6-83. DW

Sub-register	Value	Description
DW	0x0	PSDU data whitening disabled
	0x1	PSDU data whitening enabled

- **Bit 1 – FSKPHRTX.RB2: Reserved PHR Bit 2**

This bit configures the content of the reserved FSK PHR bit 2 for transmit.

- **Bit 0 – FSKPHRTX.RB1: Reserved PHR Bit 1**

This bit configures the content of the reserved FSK PHR bit 1 for transmit.

6.10.7.12 BBCn_FSKPHRRX – FSK PHR RX Information

This register contains information of the PHR and SHR field of the last received FSK frame. This register is updated with IRQ RXFS.

Bit	7	6	5	4	3	2	1	0	
	FCST	MS	–	–	SFD	DW	RB2	RB1	BBCn_FSKPHRRX
Read/Write	R	R	R	R	R	R	R	R	
Initial Value	0	0	0	0	0	0	0	0	

- **Bit 7 – FSKPHRRX.FCST: Frame Check Sequence Type**

This sub-register reflects the content of the PHR FCS bit of the last received FSK frame.

Table 6-84. FCST

Sub-register	Value	Description
FCST	0x0	FCS type 32-bit
	0x1	FCS type 16-bit

- **Bit 6 – FSKPHRRX.MS: Mode Switch**

This bit reflects the content of the Mode Switch PHR bit of the last received FSK frame.

- **Bit 3 – FSKPHRRX.SFD: SFD type**

This bit reflects the detected SFD type of the last received MR-FSK frame.

Table 6-85. SFD

Sub-register	Value	Description
SFD	0x0	SFD0 detected
	0x1	SFD1 detected

- **Bit 2 – FSKPHRRX.DW: Data Whitening**

This bit corresponds to the IEEE Std 802.15.4g-2012 PIB attribute phyFSKScramblePSDU. If this bit is set to 1, the data whitening of the PSDU is enabled, otherwise data whitening of the PSDU is disabled. This bit reflects the content of the PHR DW bit of the last received FSK frame. It is not valid in RAW mode operation.

Table 6-86. DW

Sub-register	Value	Description
DW	0x0	PSDU data whitening disabled
	0x1	PSDU data whitening enabled

- **Bit 1 – FSKPHRRX.RB2: Reserved PHR Bit 2**

This bit reflects the content of the reserved PHR bit 2 of the last received FSK frame.

- **Bit 0 – FSKPHRRX.RB1: Reserved PHR Bit 1**

This bit reflects the content of the reserved PHR bit 1 of the last received FSK frame.

6.10.7.13 BBCn_FSKRRXFLL – FSK Raw Mode RX Frame Length Low Byte

Bit	7	6	5	4	3	2	1	0	
	FSKRRXFLL								BBCn_FSKRRXFLL
Read/Write	RW	RW	RW	RW	RW	RW	RW	RW	
Initial Value	1	1	1	1	1	1	1	1	

- **Bit 7:0 – FSKRRXFLL.FSKRRXFLL: FSK Raw Mode RX Frame Length Low Byte**

This register configures the low byte for the receive frame length of the FSK RAW mode.

6.10.7.14 BBCn_FSKRRXFLH – FSK Raw Mode RX Frame Length High Byte

Bit	7	6	5	4	3	2	1	0	
	–	–	–	–	–	FSKRRXFLH			BBCn_FSKRRXFLH
Read/Write	R	R	R	R	R	RW	RW	RW	
Initial Value	0	0	0	0	0	1	1	1	

- **Bit 2:0 – FSKRRXFLH.FSKRRXFLH: FSK Raw Mode RX Frame Length High Byte**

This register configures the three MSBs for the receive frame length of the FSK RAW mode.

6.10.7.15 BBCn_FSKDM – FSK Direct Modulation

Bit	7	6	5	4	3	2	1	0		
	-							PE	EN	BBCn_FSKDM
Read/Write	R	R	R	R	R	R	RW	RW		
Initial Value	0	0	0	0	0	0	0	0		

- **Bit 1 – FSKDM.PE: FSK Preemphasis**

If this sub-register is set to 1, the FSK direct modulation preemphasized. This sub-register is ignored if subregister FSKDM.EN is 0.

- **Bit 0 – FSKDM.EN: FSK Direct Modulation Enable**

If this sub-register and sub-register RFXx_TXDFE.DM are set to 1, the FSK direct modulation is enabled.

6.10.7.16 BBCn_FSKPE0 – FSK Preemphasis 0

Bit	7	6	5	4	3	2	1	0	
	FSKPE0								BBCn_FSKPE0
Read/Write	RW	RW	RW	RW	RW	RW	RW	RW	
Initial Value	0	0	0	0	0	0	0	0	

- **Bit 7:0 – FSKPE0.FSKPE0: FSK Preemphasis 0**

This register contains configuration information for the FSK direct modulation preemphasis.

6.10.7.17 BBCn_FSKPE1 – FSK Preemphasis 1

Bit	7	6	5	4	3	2	1	0	
	FSKPE1								BBCn_FSKPE1
Read/Write	RW	RW	RW	RW	RW	RW	RW	RW	
Initial Value	0	0	0	0	0	0	0	0	

- **Bit 7:0 – FSKPE1.FSKPE1: FSK Preemphasis 1**

This register contains configuration information for the FSK direct modulation preemphasis.

6.10.7.18 BBCn_FSKPE2 – FSK Preemphasis 2

Bit	7	6	5	4	3	2	1	0	
	FSKPE2								BBCn_FSKPE2
Read/Write	RW	RW	RW	RW	RW	RW	RW	RW	
Initial Value	0	0	0	0	0	0	0	0	

- **Bit 7:0 – FSKPE2.FSKPE2: FSK Preemphasis 2**

This register contains configuration information for the FSK direct modulation preemphasis.

6.10.7.19 RFn_TXDFE – Transmitter TX Digital Frontend

The register configures the transmitter digital frontend.

Bit	7	6	5	4	3	2	1	0	
	RCUT			DM	SR				RFn_TXDFE
Read/Write	RW	RW	RW	RW	RW	RW	RW	RW	
Initial Value	0	0	0	0	0	0	0	1	

- **Bit 4 – TXDFE.DM: Direct Modulation**

If this sub-register is set to 1 the transmitter direct modulation is enabled. Direct modulation is available for FSK and OQPSK (OQPSKC0.FCHIP=0;1). Direct modulation must also be enabled at the BBCx registers (FSKDM.EN and OQPSKC0.DM).

6.10.7.20 BBCn_FSKRPC – FSK Reduced Power Consumption

This register contains configurations to control the reduced power consumption for the MR-FSK PHY.

Bit	7	6	5	4	3	2	1	0	
	–	–	–	–	EN	BASET			BBCn_FSKRPC
Read/Write	R	R	R	R	RW	RW	RW	RW	
Initial Value	0	0	0	0	0	0	1	1	

- **Bit 3 – FSKRPC.EN: Enable**

This bit enables reduced power consumption during the listen phase of the MR-FSK PHY.

- **Bit 2:0 – FSKRPC.BASET: Base Time**

This subfield configures the base time for reduced power consumption configuration during the listen phase of the MR-FSK PHY (see register FSKRPCONT and FSKRPCOFFT).

Table 6-87. BASET

Sub-register	Value	Description
BASET	0x0	0.5 us
	0x1	1.0 us
	0x2	2.0 us
	0x3	4.0 us
	0x4	8.0 us
	0x5	16.0 us
	0x6	32.0 us
	0x7	64.0 us

6.10.7.21 BBCn_FSKRPCONT – FSK Reduced Power Consumption On Time

This register configures the on time to control the reduced power consumption for the MR-FSK PHY.

Bit	7	6	5	4	3	2	1	0	
	FSKRPCONT								BBCn_FSKRPCONT
Read/Write	RW	RW	RW	RW	RW	RW	RW	RW	
Initial Value	1	0	1	0	0	0	0	0	

- **Bit 7:0 – FSKRPCONT.FSKRPCONT: FSK Reduced Power Consumption On Time**

This register configures the active period in multiples of the base time (see register FSKRPC).

6.10.7.22 BBCn_FSKRPCOFFT – FSK Reduced Power Consumption Off Time

This register configures the off time to control the reduced power consumption for the MR-FSK PHY.

Bit	7	6	5	4	3	2	1	0	
	FSKRPCOFFT								BBCn_ FSKRPCOFFT
Read/Write	RW	RW	RW	RW	RW	RW	RW	RW	
Initial Value	1	0	1	0	0	0	0	0	

- **Bit 7:0 – FSKRPCOFFT.FSKRPCOFFT: FSK Reduced Power Consumption Off Time**

This register configures the power save period in multiples of the base time (see register FSKRPC).

6.11 MR-OFDM PHY

6.11.1 Overview

The multi-rate and multi-regional orthogonal frequency division multiplexing (MR-OFDM) PHY specified in IEEE Std 802.15.4g™-2012 [3] and ETSI TS 102 887-1 [5] is RF band agnostic and supports data rates ranging from 50kb/s to 800kb/s and extended data rates (*) from 1200kb/s to 2400kb/s as listed in Table 6-88.

Table 6-88. MR-OFDM PHY Options and Modulation Schemes

	MCS	Option 1	Option 2	Option 3	Option 4
OFDMC.OPT		0	1	2	3
Nominal bandwidth [kHz]		1094	552	281	156
DFT size		128	64	32	16
Active tones		104	52	26	14
Pilot tones		8	4	4	2
Data tones		96	48	24	12
		PSDU data rates [kb/s]			
BPSK, rate ½, 4 x frequency repetition	0	100	50	-	-
BPSK, rate ½, 2 x frequency repetition	1	200	100	50	-
QPSK, rate ½, 2 x frequency repetition	2	400	200	100	50
QPSK, rate ½	3	800	400	200	100
QPSK, rate ¾	4	1200(*)	600	300	150
16-QAM, rate ½	5	1600(*)	800	400	200
16-QAM, rate ¾	6	2400(*)	1200(*)	600	300

The subcarrier spacing is constant and equal to 10416-2/3 Hz (or 31250/3 Hz). The symbol rate is 8-1/3 ksymbol/s which corresponds to 120µs per symbol. This symbol includes a quarter-duration cyclic prefix (CP; 24µs) and a base symbol (96µs).

This PHY includes four options, each one characterized by the number of active tones during the PHR or PSDU. The modulation and coding scheme (MCS) allows selecting different PSDU data rates per option. The MCS of the PHY header is defined as the lowest available MCS per option accordingly which is zero for Option 1 and 2, one for Option 3 and two for Option 4, respectively.

While the MR-OFDM bandwidth option ([OFDMC.OPT](#)) is a common prerequisite for transmitter and receiver, the transmitter sends the MCS of the PSDU per frame as part of the PHY header ([OFDMPHRTX.MCS](#)) which is evaluated by the receiver accordingly ([OFDMPHRRX.MCS](#)).

The extended data rates of 1200kb/s, 1600kb/s and 2400kb/s for Option 1 and 1200kb/s for Option 2 use the same modulation and coding schemes as the appropriate modes for Option 3 and Option 4. Interleaving for these modes is defined in accordance to section 18.2.3.5 of [3].

The frame transmission and reception follows the procedures as described in section "Transceiver Usage in Baseband Mode" on page 169 with an basic example provided by section "Example: Transceiver Usage in Baseband Mode" on page 170.

The MR-OFDM PHY is part of each Baseband Core and utilizes the RF frontends as shown in Figure 6-14 via the I/Q data interface. The PHY is connected to the appropriate Transmitter Digital Frontend and Receiver Digital Frontend, respectively.

6.11.2 Transmitter Configuration

While MR-OFDM frame transmission generally follows the procedures described in section "Transceiver Usage in Baseband Mode" on page 169, specific configurations as listed in Table 6-89 must be set to prepare the MR-OFDM PHY and the associated Digital- and RF-Frontend. A specific order of the shown configuration steps is not required. The corresponding register values should only be changed in state TRXOFF.

Table 6-89. Transmitter Configuration Steps

No	Action	Register
0	Activate the MR-OFDM Physical Layer	PC.PT
1	Configure MR-OFDM bandwidth option	OFDMC.OPT
2	Configure modulation and coding scheme	OFDMPHRTX.MCS
3	Select scrambler seed	OFDMC.SSTX
4	Configure PIB attribute phyOFDMInterleaving	OFDMC.POI
5	Specify I/Q data interface rate of the Transmitter Digital Frontend (dependent on OFDMC.OPT)	TXDFE.SR
6	Specify cut-off frequency of the Transmitter Digital Frontend filter (dependent on OFDMC.OPT)	TXDFE.RCUT
7	Specify cut-off frequency of the Transmitter Analog Frontend filter (dependent on OFDMC.OPT)	TXCUTC.LPFCUT
8	Configure transmit power	PAC.TXPWR

The MR-OFDM bandwidth option is the central parameter that determines the sampling rate of the I/Q data interface and particular transmit filter settings. Recommended settings are listed in Table 6-90.

Table 6-90. Recommended Transmitter Frontend Configuration

Register	Option 1	Option 2	Option 3	Option 4
TXDFE.SR	3	3	6	6
TXDFE.RCUT	4	3	3	2
TXCUTC.LPFCUT	10	8	5	3

The modulation (OFDMC.OPT), coding scheme (OFDMPHRTX.MCS) and the scrambler seed (OFDMC.SSTX) are direct entries to the MR-OFDM PHY header fields, as well as the PSDU length (configured by BBCn_TXFLL and BBCn_TXFLH). Additionally, the reserved PHR bits can be configured by OFDMPHRTX.RB5, OFDMPHRTX.RB17, OFDMPHRTX.RB18 and OFDMPHRTX.RB21. According to [5] these bits are not evaluated by the receiver.

The PIB attribute phyOFDMInterleaving as defined in section 9.3. of [3] is configured by OFDMC.POI. It has no influence if the MCS has no frequency spreading defined (OFDMPHRTX.MCS = [3,4,5,6]).

Especially for higher order (16-QAM) modulation with `OFDMPHRTX.MCS=[5,6]`, it is recommended limiting the transmit power setting to comply to EVM requirements according to [3] and optimize receiver performance. Recommended settings are listed in [Table 6-91](#).

Table 6-91. Recommended maximum Transmit Power setting and EVM

	MCS0	MCS1	MCS2	MCS3	MCS4	MCS5	MCS6
EVM requirements [3]	-10	-10	-10	-10	-13	-16	-19
<code>PAC.TXPWR</code> , recommended	31	31	31	31	29	27	25
<code>PAC.TXPWR</code> , maximum	31	31	31	31	31	30	28

6.11.3 Receiver Configuration

6.11.3.1 Receiver Configuration Steps

While MR-OFDM frame reception generally follows the procedures described in section "[Example Receive Procedure Using Basic Mode](#)" on page 173, specific configurations as listed in [Table 6-92](#) must be set in order to prepare the MR-OFDM PHY and the associated Digital- and RF-Frontend. A specific order of the shown configuration steps is not required. The corresponding register values should only be changed in state TRXOFF.

Table 6-92. Receiver Configuration Steps

No	Action	Register
0	Activate the MR-OFDM Physical Layer	<code>PC.PT</code>
1	Configure MR-OFDM bandwidth option	<code>OFDMC.OPT</code>
2	Configure PIB attribute <code>phyOFDMInterleaving</code>	<code>OFDMC.POI</code>
3	Select 'low frequency offset' option if applicable	<code>OFDMC.LFO</code>
4	Specify I/Q data interface rate of the Receiver Digital Frontend (dependent on <code>OFDMC.OPT</code>)	<code>RXD.FE.SR</code>
5	Specify cut-off frequency of the Receiver Digital Frontend filter (dependent on <code>OFDMC.OPT</code> and <code>OFDMC.LFO</code>)	<code>RXD.FE.RCUT</code>
6	Specify bandwidth and IF frequency of the Receiver Analog Frontend filter (dependent on <code>OFDMC.OPT</code> and <code>OFDMC.LFO</code>)	<code>RXBWC.BW</code> and <code>RXBWC.IFS</code>
7	Specify AGC measurement period (dependent on <code>OFDMC.OPT</code>)	<code>AGCC.AVGS</code>
8	Specify AGC speed (dependent on <code>OFDMC.OPT</code>)	<code>AGCC.AGCI</code>
9	Set AGC target level to 3 (default)	<code>AGCS.TGT</code>
10	Adjust preamble detector threshold	<code>OFDMSW.PDT</code>

The MR-OFDM bandwidth option is the central parameter that determines the sampling rate of the I/Q data interface and particular receive filter and AGC settings. Recommended settings are listed in [Table 6-93](#).

The 2.4GHz configuration has slightly opened frontend filters adapted to the higher expected absolute frequency offset. In case that a TCXO or similar clock source is used, the expected frequency offset reduces. This allows narrowing the filter settings equivalent to the sub-1GHz configuration for better ACI suppression. An exception is recommended for option 1 where the higher phase noise of the 2.4GHz radio requires the SSBF bandwidth not to be reduced.

Note, that a TXCO based system with expected low frequency offset should be indicated to the 2.4 GHz PHY MR-OFDM receiver by setting `OFDMC.LFO` to 1. Then the MR-OFDM preamble detector searches for the STF (short training field) pattern in a reduced frequency span which makes it more robust against misdetection.

Table 6-93. Recommended PHY Receiver and Digital Frontend Configuration

Register	Option 1	Option 2	Option 3	Option 4
<code>TXDFE.SR</code>	3	3	6	6
sub-core 0 + sub-1GHz Radio Frontend				
<code>RXDFE.RCUT</code>	4	2	2	1
<code>RXBWC.BW</code>	9	7	4	2
<code>RXBWC.IFS</code>	1	1	0	1
sub-core 1 + 2.4GHz Radio Frontend, <code>OFDMC.LFO=0</code>				
<code>RXDFE.RCUT</code>	4	2	3	1
<code>RXBWC.BW</code>	10	7	5	3
<code>RXBWC.IFS</code>	1	1	1	0
sub-core 1 +2.4GHz Radio Frontend, <code>OFDMC.LFO=1</code>				
<code>RXDFE.RCUT</code>	4	2	2	1
<code>RXBWC.BW</code>	9	7	4	2
<code>RXBWC.IFS</code>	1	1	0	1
<code>AGCC.AVGS</code>	0	0	0	0
<code>AGCC.AGCI</code>	0	0	0	0
<code>OFDMSW.PDT</code>	5	5	4	3

To achieve good results for receiver energy detection, the averaging duration composed of sub-registers `EDD.DTB` and `EDD.DF` should be configured according to the MR-OFDM PHY symbol time.

IEEE Std 802.15.4™-2006 [1] defines 8 symbols periods averaging time for ED. For MR-OFDM this translates to $8 * 120\mu s = 960\mu s$, configured by `EDD.DTB=2` and `EDD.DF=30`.

6.11.3.2 Receiver Operation

When the MR-OFDM receiver is activated, it searches for STF preamble patterns. If a preamble is found the IRQ `IRQM.AGCH` is issued and the AGC is put on hold (`AGCC.FRZS = 1`). Synchronization and channel acquisition are executed. The PHY header is demodulated and decoded using the MCS as defined in [3] for the PHR field.

If the CRC-8 check indicates a valid PHY header and the frame length field is greater than zero, the frame start IRQ `IRQM.RXFS` is issued. At this event the MR-OFDM PHR status registers `OFDMPHRRX.MCS`, `OFDMC.SSRX` including the reserved bits `OFDMPHRRX.RB5`, `OFDMPHRRX.RB17`, `OFDMPHRRX.RB18`, and `OFDMPHRRX.RB21` are updated. The PHR frame length field is mapped to the registers `BBCn_RXFLH` and `BBCn_RXFLL`, respectively. Further information on the receive procedure can be found in section "Example Receive Procedure Using Basic Mode" on page 173.

On frame start (IRQ `IRQM.RXFS`), the measured average signal power of the currently received frame is available in sub-register `EDV.EDV`, see section 6.2.4 on page 56 for details.

Spurious Compensation

In case of performance degradation due to clock harmonics on receive channels with center frequency being multiple of 26MHz or 32MHz, the MR-OFDM Spurious Compensation feature can be enabled by sub-register [OFDMPHRRX.SPC](#). In that case the AGC target level ([AGCS.TGT](#)) should be set to 0.

It is not recommended activating Spurious Compensation for MR-OFDM Option 4 because of its small bandwidth, especially if the MCS is expected to be greater three.

Receiver Override

The Receiver Override feature, activated by sub-register [OFDMSW.RXO](#) set to 1, enables the MR-OFDM PHY to restart a preamble detection at any time during reception if the received signal power has increased significantly. This reduces the influence of frame misdetections and hidden node effects.

6.11.4 Register Description

6.11.4.1 BBCn_OFDMPHRTX – MR-OFDM Transmitter PHY Header Configuration

The register is used to compose the MR-OFDM PHY header (PHR) for transmission.

Bit	7	6	5	4	3	2	1	0	
	RB21	RB18	RB17	RB5	–	MCS			BBCn_OFDMPHRTX
Read/Write	RW	RW	RW	RW	R	RW	RW	RW	
Initial Value	0	0	0	0	0	0	0	0	

- **Bit 7 – OFDMPHRTX.RB21: Reserved PHR Bit 21**

The sub-register defines the PHR bit. The content is transmitted but serves no function.

- **Bit 6 – OFDMPHRTX.RB18: Reserved PHR Bit 18**

The sub-register defines the PHR bit. The content is transmitted but serves no function.

- **Bit 5 – OFDMPHRTX.RB17: Reserved PHR Bit 17**

The sub-register defines the PHR bit. The content is transmitted but serves no function.

- **Bit 4 – OFDMPHRTX.RB5: Reserved PHR Bit 5**

The sub-register defines the PHR bit. The content is transmitted, but serves no function.

- **Bit 2:0 – OFDMPHRTX.MCS: Modulation and Coding Scheme**

The sub-register sets the PSDU modulation and coding scheme, and fills the lower 3 bits of the PHR Rate field. The upper bits are filled with zero respectively.

Table 6-94. MCS

Sub-register	Value	Description
MCS	0x0	BPSK, coding rate 1/2, 4 x frequency repetition
	0x1	BPSK, coding rate 1/2, 2 x frequency repetition
	0x2	QPSK, coding rate 1/2, 2 x frequency repetition
	0x3	QPSK, coding rate 1/2
	0x4	QPSK, coding rate 3/4
	0x5	16-QAM, coding rate 1/2
	0x6	16-QAM, coding rate 3/4

6.11.4.2 BBCn_OFDMPHRRX – MR-OFDM Receiver PHY Header Status

PHY header (PHR) status information is updated at interrupt Receiver Frame Start (RXFS).

Bit	7	6	5	4	3	2	1	0					
	RB21		RB18		RB17		RB5		SPC		MCS		
Read/Write	R	R	R	R	RW	R	R	R					
Initial Value	0	0	0	0	0	0	0	0	0				

BBCn_OFDMPHRRX

- **Bit 7 – OFDMPHRRX.RB21: Reserved PHR Bit 21**

This sub-register reflects the content of the reserved PHR bit 21 of the last received MR-OFDM frame.

- **Bit 6 – OFDMPHRRX.RB18: Reserved PHR Bit 18**

This sub-register reflects the content of the reserved PHR bit 18 of the last received MR-OFDM frame.

- **Bit 5 – OFDMPHRRX.RB17: Reserved PHR Bit 17**

This sub-register reflects the content of the reserved PHR bit 17 of the last received MR-OFDM frame.

- **Bit 4 – OFDMPHRRX.RB5: Reserved PHR Bit 5**

This sub-register reflects the content of the reserved PHR bit 5 of the last received MR-OFDM frame.

- **Bit 3 – OFDMPHRRX.SPC: RX Spurious Compensation**

If this sub-register is set to 1, the spurious compensation (SPC) is activated. This is recommended if the receive channel is a multiple of 26MHz or 32MHz. Otherwise, it is recommended to set this sub-register to 0.

- **Bit 2:0 – OFDMPHRRX.MCS: Modulation and Coding Scheme**

The sub-register reflects the lower 3 bits of the PHR rate field and indicates the PSDU modulation and coding scheme of the last received MR-OFDM frame. See OFDMPHRTX.MCS for value-to-coding mapping.

6.11.4.3 BBCn_OFDMC – MR-OFDM PHY Configuration

Bit	7	6	5	4	3	2	1	0	
	SSRX		SSTX		LFO	POI	OPT		
Read/Write	R	R	RW	RW	RW	RW	RW	RW	
Initial Value	0	0	0	0	0	0	0	0	

BBCn_OFDMC

- **Bit 7:6 – OFDMC.SSRX: Receiver Scrambler Seed Status**

SSRX reflects the PHR scrambler field and sets the initial seed of the de-scrambler PN9 sequence. PHY header (PHR) status information is updated at interrupt Receiver Frame Start (RXFS).

Table 6-95. SSRX

Sub-register	Value	Description
SSRX	0x0	0b000010111
	0x1	0b101110111
	0x2	0b000011100
	0x3	0b101111100

- **Bit 5:4 – OFDMC.SSTX: Transmitter Scrambler Seed Configuration**

SSTX sets the initial seed of the scrambler PN9 sequence and fills the PHR scrambler field (sec. 18.2.3.11, IEEE Std. 802.15.4g-2012).

Table 6-96. SSTX

Sub-register	Value	Description
SSTX	0x0	0b000010111
	0x1	0b101110111
	0x2	0b000011100
	0x3	0b101111100

- **Bit 3 – OFDMC.LFO: Reception with Low Frequency Offset**

The sub-register is configured depending on the absolute frequency offset of the received OFDM signal.

Table 6-97. LFO

Sub-register	Value	Description
LFO	0x0	If the frequency offset has higher deviation than 57.3kHz, this sub-register should be set to 0.
	0x1	If it is guaranteed that the absolute frequency offset of the received OFDM signal is less than 57.3kHz (i.e. usage of a TCXO), this sub-register should be set to 1. In conjunction with an adapted RF frontend configuration, the MR-OFDM receiver benefits from an improved ACI suppression.

- **Bit 2 – OFDMC.POI: PIB Attribute phyOFDMInterleaving**

If this sub-register is 0, the MR-OFDM interleaver has a depth of one symbol. Otherwise, if this sub-register is 1, the MR-OFDM interleaver has a depth equal to the frequency domain spreading factor symbols. This sub-register reflects the PIB attribute phyOFDMInterleaving (see IEEE Std 802.15.4g-2012).

- **Bit 1:0 – OFDMC.OPT: MR-OFDM Bandwidth Option**

MR-OFDM options 1 to 4 are configured by values 0 to 3 respectively.

Table 6-98. OPT

Sub-register	Value	Description
OPT	0x0	Option 1
	0x1	Option 2
	0x2	Option 3
	0x3	Option 4

6.11.4.4 BBCn_OFDMSW – OFDM Switches

This register controls test functionality of the MR-OFDM PHY.

Bit	7	6	5	4	3	2	1	0	
	PDT			R XO	–	–	–	–	BBCn_OFDMSW
Read/Write	RW	RW	RW	RW	RW	RW	RW	RW	
Initial Value	0	1	1	1	0	0	0	0	

- **Bit 7:5 – OFDMSW.PDT: Preamble Detection Threshold**

Lower values increase the preamble detector sensitivity.

- **Bit 4 – OFDMSW.RXO: Receiver Override**

If Receiver Override is enabled during frame reception, the MR-OFDM receiver restarts synchronization after a rapidly increased signal power per OFDM symbol of more than 12dB.

Table 6-99. RXO

Sub-register	Value	Description
RXO	0x0	Receiver override disabled
	<u>0x1</u>	Receiver override enabled

6.12 O-QPSK PHY

6.12.1 Overview

The baseband sub-core O-QPSK of the AT86RF215 provides functionality with regard to the MR-O-QPSK PHY according to IEEE Std 802.15.4g™-2012 [3] and the O-QPSK PHY of ETSI TS 102 887-1, see [5]. In this document, both PHY types are generalized to **MR-O-QPSK**, due to their similarity and relation.

The supported modes for MR-O-QPSK are shown in Table 6-100. Additional proprietary modes neither specified in [3] nor in [5] are available, see Table 6-100.

Table 6-100. MR-O-QPSK Modes

Chip Rate [kchip/s]	Rate Mode	PSDU Data Rate [kb/s]	Description
100	0	6.25	O-QPSK-A-PHY-ID-0 [3], O-QPSK-PHY-OPTION-1 [5]
	1	12.5	O-QPSK-A-PHY-ID-1 [3]
	2	25	O-QPSK-A-PHY-ID-2 [3]
	3	50	O-QPSK-A-PHY-ID-3 [3]
200	0	12.5	O-QPSK-PHY-OPTION-2 [5]
	1	25	Proprietary (as O-QPSK-A-PHY-ID-1; chip rate is 200kchip/s)
	2	50	Proprietary (as O-QPSK-A-PHY-ID-2; chip rate is 200kchip/s)
	3	100	Proprietary (as O-QPSK-A-PHY-ID-3; chip rate is 200kchip/s)
1000	0	31.25	O-QPSK-B-PHY-ID-0 [3]
	1	125	O-QPSK-B-PHY-ID-1 [3]
	2	250	O-QPSK-B-PHY-ID-2 [3]
	3	500	O-QPSK-B-PHY-ID-3 [3]
2000	0	31.25	O-QPSK-C-PHY-ID-0 [3]
	1	125	O-QPSK-C-PHY-ID-1 [3]
	2	250	O-QPSK-C-PHY-ID-2 [3]
	3	500	O-QPSK-C-PHY-ID-3 [3]
	4	1000	Proprietary (as O-QPSK-C-PHY-ID-3; spreading bypassed)

In addition, support for the O-QPSK PHY of the 780MHz, 915MHz, and 2450MHz frequency band with regard to clause 10 of IEEE Std 802.15.4™-2011 [2] is provided, referred to as **legacy O-QPSK**. Some legacy O-QPSK high data rate modes based on this PHY are supported as well, see Table 6-101.

With respect to the O-QPSK PHY specification of ETSI TS 102 887-1 [5], the AT86RF215 supports PPDU Type 2 (see Figure 6-25) in addition to PPDU Type 1 (see Figure 6-24). PPDU Type 2 can be applied regardless of the chip rate.

Figure 6-24. MR-O-QPSK PPDU Type 1

		Octets	
		3	Variable
Preamble	SFD-1 As defined in [3] clause 18.3.1.2	As defined in in [3] 8.3.1.3	PSDU
SHR		PHR	PHY payload

Figure 6-25. MR-O-QPSK PPDU Type 2

		Octets	
		7	
Preamble	SFD-2 As defined in [5] clause 6.1.2	PSDU	
SHR		PHY payload	

		Octets	
		18	
Preamble	SFD-3 As defined in [5] clause 6.1.2	PSDU	
SHR		PHY payload	

For PPDU Type 2, rate modes other than 0 are not supported since there is no PHR contained signaling the rate mode. [Table 6-101](#) summarizes the supported modes for legacy O-QPSK according to [2]. There is additional support of some of the legacy proprietary high data rate modes compatible with the AT86RF212B and the AT86RF23X family.

Table 6-101. Legacy O-QPSK Modes

Chip Rate [kchip/s]	PSDU Data Rate [kb/s]	Description
1000	250	O-QPSK PHY of the 780MHz and 915MHz frequency band [2]
1000	500	Proprietary high data rate mode compatible with AT86RF212B
2000	250	O-QPSK PHY of the 2450MHz frequency band [2]
2000	1000	Proprietary high data rate mode compatible with AT86RF23X

The AT86RF215 supports simultaneous operation of MR-O-QPSK and legacy O-QPSK according to sub-clause 18.3.3 of [3]. This is described in more detail in section "Receive Operation and Configuration" on page 123.

In order to configure the baseband sub-core of the AT86RF215 with O-QPSK operation mode (MR-O-QPSK or legacy O-QPSK), sub-register `PC.PT` must be set to 3, see "Baseband Core" on page 81.

6.12.2 Transmit Operation and Configuration

6.12.2.1 General Transmit Configuration

The desired chip rate can be selected with sub-register `OQPSKC0.FCHIP`. The desired impulse response of the pulse shaping filter can be selected with sub-register `OQPSKC0.MOD`.

For MR-O-QPSK, the parameters for spreading and coding are implicitly defined by the chip frequency (`OQPSKC0.FCHIP`), see Table 164 and Table 165 of [3] and Table 9 of [5].

Prior to transmission of an MR-O-QPSK PPDU (regardless of the PPDU Type), sub-register [OQPSKPHRTX.LEG](#) must be set to 0.

Only partial user access to PHR sub-field entries exists, as indicated in [Figure 6-26](#).

Figure 6-26. MR-O-QPSK TX-PHR

SM	RM ₁	RM ₀	R ₁	R ₀	L ₁₀ -L ₀	H ₇ -H ₀
0	OQPSKPHRTX.MOD			OQPSKPHRTX.RB0	BBCn_TXFLH , BBCn_TXFLL	HCS, automatically computed

The reserved bit R₁ is used in order to signal proprietary rate modes, see [\[3\]](#). [Table 6-102](#) provides details of the mapping to the sub-field (RM₁, RM₀, R₁) as a function of the sub-register entries [OQPSKC0.FCHIP](#) and [OQPSKPHRTX.MOD](#). Undefined rate modes are set to rate mode 0, assuring that the AT86RF215 does not assemble a void PPDU.

Table 6-102. MR-O-QPSK Rate Mode Mapping

OQPSKC0.FCHIP	OQPSKPHRTX.MOD	(RM ₁ , RM ₀ , R ₁)
0x0, 0x1, 0x2	0x0	(0,0,0)
	0x1	(0,1,0)
	0x2	(1,0,0)
	0x3	(1,1,0)
	Otherwise	(0,0,0)
0x3	0x0	(0,0,0)
	0x1	(0,1,0)
	0x2	(1,0,0)
	0x3	(1,1,0)
	0x4	(0,1,1)
Otherwise	(0,0,0)	

Configuration of the PPDU Type is obtained by sub-register [OQPSKPHRTX.PPDUT](#). If set to 1 (PPDU Type 2), the frame length entry (obtained by registers [BBCn_TXFLL](#) and [BBCn_TXFLH](#) must be either 7 or 18) selects the corresponding SFD and PSDU interleaver, see [\[5\]](#). For frame lengths other than 7 or 18, the transceiver assembles PPDU Type 1, even if [OQPSKPHRTX.PPDUT](#) is set to 1.

For legacy O-QPSK, the parameters for spreading are implicitly defined by the chip frequency ([OQPSKC0.FCHIP](#)), see [Table 73](#) and [Table 74](#) of [\[2\]](#). In contrast to the multi-rate MR-O-QPSK PHY, high data rate modes must be pre-configured with sub-register [OQPSKC3.HRLEG](#) for both transmit and receive.

Prior to transmission of a legacy PPDU, sub-register [OQPSKPHRTX.LEG](#) must be set to 1. The configuration of the PHR is shown in [Figure 6-27](#).

Figure 6-27. Legacy O-QPSK TX-PHR

L ₀ -L ₇	R
BBCn_TXFLL [6:0]	OQPSKPHRTX.RB0

Since the AT86RF215 O-QPSK baseband sub-core accesses the TX I/Q data interface, the transmitter frontend (see section "Transmitter Frontend" on page 43) should be configured with specific settings as a function of the chip rate. This is shown in Table 6-103.

Table 6-103. O-QPSK Transmitter Frontend Configuration

Register	Chip Rate [kchip/s]			
	100	200	1000	2000
TXCUTC.PARAMP	0x3	0x2	0x0	0x0
TXCUTC.LPFCUT	0x7	0x7	0xB	0xB
TXDFE.SR	0xA	0x5	0x1	0x1
TXDFE.RCUT	0x3	0x3	0x3	0x4

A transmission is initiated with register `CMD.CMD` set to TX, see "State Machine" on page 33. Assembly of a complete PPDU is performed autonomously, including all signal processing steps, such as FEC, interleaving, spreading and modulation according to [3], [5] and [2], respectively.

It is possible to initiate a transmission before any of the PHY payload data (PSDU) is loaded to the transmit frame buffer since the baseband sub-core autonomously starts with transmission of the SHR, see for instance Figure 6-24. However, the first payload octet is requested from the baseband sub-core just after the duration of the SHR relative to the transmit request. The PSDU belonging to the next PPDU must be available by that time. The SHR time depending on the chip rate is defined in [2], [3] and [5]. For further information about frame buffer see section "Transmit Frame Buffer Under-run Detection" on page 132.

6.12.2.2 Direct Modulation RF215 v.3 (RF_VN = 0x03)

AT86RF215 v.3 provides the additional feature to set the transmitter to direct modulation. The direct modulation shall be used for MR-O-QPSK chip rate 100kchip/s and 200kchip/s (`OQPSKC0.FCHIP=0;1`), it is not applicable for higher data rates. It improves the modulation quality especially at high output power (>8dBm).

The direct modulation is enabled by:

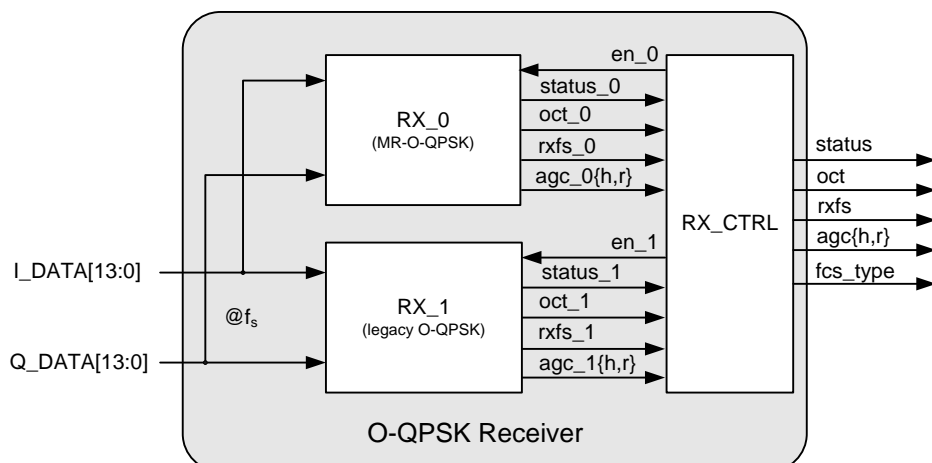
- Sub-register `TXDFE.DM` = 1
- Sub-register `OQPSKC0.DM` = 1

6.12.3 Receive Operation and Configuration

For receive, the AT86RF215 must be in state RX, see section "State Machine" on page 33.

As shown in Figure 6-28, the O-QPSK baseband sub-core of the AT86RF215 contains two specific receiver units, `RX_0` for the receiving of MR-O-QPSK frames and `RX_1` for the receiving of legacy O-QPSK frames. Both units share the same I/Q data interface and, consequently, the same receiver frontend. The transceiver can simultaneously listen for both PHY types at the same channel. This feature is restricted to chip rates of 1000kchip/s and 2000kchip/s (`OQPSKC0.FCHIP = 2` or `OQPSKC0.FCHIP = 3`), respectively. If one receiver unit detects a frame start, the complementary receiver unit is disabled. Single or dual receive is selected with sub-register `OQPSKC2.RXM`.

Figure 6-28. RX for O-QPSK



During frame reception, each receiver performs preamble detection, SFD search and PHR evaluation. The sensitivity level for preamble detection can be configured with sub-registers [OQPSKC1.PDT0](#) and [OQPSKC1.PDT1](#), respectively. Lower values increase the receiver sensitivity for rate mode 0, whereas larger values improve robustness with regard to the capture effect.

For MR-O-QPSK, the search space of SFD words can be configured with sub-register [OQPSKC3.NSFD](#). If PPDU Type 2 is not used, it is recommended to set [OQPSKC3.NSFD](#) to 0, improving robustness of SHR detection.

For MR-O-QPSK, the HCS of the detected PHR information bits is automatically evaluated. Frames with invalid HCS as well as frames with a detected length field entry equal to 0 are automatically discarded (no frame start event). For legacy O-QPSK, frames with a detected length field entry equal to 0 are automatically discarded. In case of a valid frame start event, the AT86RF215 captures several pieces of status information, as shown in [Table 6-104](#). This information remains unchanged until the next frame start event occurs.

Table 6-104. Receiver Status

Status	Register	Description
Frame length	BBCn_RXFLL , BBCn_RXFLH	The detected PSDU length in octets.
PHY type	OQPSKPHRRX.LEG	Indicates, whether a legacy O-QPSK or MR-O-QPSK frame has been received.
Rate mode	OQPSKPHRRX.MOD	Indicates the detected rate mode (valid for MR-O-QPSK only).
Reserved bit	OQPSKPHRTX.RB0	The value of the detected reserved bit R ₀ (MR-O-QPSK) or R (legacy O-QPSK)
Received signal power	EDV.EDV	An estimate of the received signal power in dBm of the frame
PPDU type	OQPSKPHRRX.PPDUT	Indicates the PPDU type of the received frame (valid for MR-O-QPSK only).

Regardless of the PHY type (MR-O-QPSK or legacy O-QPSK), the detected PSDU content is passed to the receive frame buffer octet by octet. The procedure of frame buffer handling and FCS evaluation is unified for all baseband sub-cores, see section "Frame Buffer" on page 132. However, with regard to FCS evaluation and dual receive mode (OQPSK2.RXM = 2), the FCS type must be a-priori known, indicated by the signal fcs_type, see Figure 6-28. In case a legacy frame has been received, the FCS type is set to the content of register OQPSK2.FCSTLEG. If an MR-O-QPSK frame has been received, the FCS type is obtained from register PC.FCST.

If using proprietary rate modes (OQPSKPHRTX.MOD > 3), conflicts may occur with respect to interoperability since the reserved bit R₁ must not be interpreted while evaluating the rate mode. (The standard text according to [3] is not specific about the content of the reserved bits). Those issues can be avoided if sub-register OQPSK2.ENPROP is set to 0. In this case, reception of proprietary modes (OQPSKPHRTX.MOD > 3) is not supported. Note, that this restriction is not required if an MR-O-QPSK compliant device other than the AT86RF215 is only supporting the mandatory rate mode 0.

Since the AT86RF215 O-QPSK baseband sub-core accesses the RX I/Q data interface, the receiver frontend (see section "Receiver Frontend" on page 52) must be configured with specific register settings, as a function of the chip rate. This is shown in Table 6-105. Recommended settings of the AGC are shown in Table 6-106.

Table 6-105. O-QPSK Receiver Frontend Configuration (Filter Settings)

Register	Chip Rate [kchip/s]			
	100	200	1000	2000
RXBWC.BW	0x0	0x2	0x8	0xB
RXBWC.IFS	0x0	0x0	0x0	0x0
RXDFE.SR	0xA	0x5	0x1	0x1
RXDFE.RCUT	0x1	0x1	0x0	0x2
EDD.DTB	0x3	0x3	0x3	0x3
EDD.DF	0xA	0x5	0x4	0x4

Table 6-106. O-QPSK Receiver Frontend Configuration (AGC Settings)

Register	Chip Rate [kchip/s]			
	100	200	1000	2000
AGCC.AGCI	0x0	0x0	0x0	0x0
AGCC.AVGS	0x2	0x2	0x0	0x0
AGCC.EN	0x1	0x1	0x1	0x1
AGCS.TGT	0x3	0x3	0x3	0x3

The AT86RF215 supports receiver override (RXO) in order to mitigate the capture effect. The receiver goes back to preamble detection if both applies:

- a preamble has been detected and
- the receiver strength rapidly increases above 12dB (RX_0: MR-O-QPSK) or 9dB (RX_1: legacy O-QPSK).

RXO for MR-O-QPSK is enabled with sub-register OQPSK.RXO set to 1.

RXO for legacy O-QPSK is enabled with sub-register OQPSK.RXOLEG set to 1.

Typical values of the AWGN receiver sensitivity are shown in Table 10-19 on page 196.

In principle, it is possible to combine any of the O-QPSK modes with any of the center frequencies supported by the AT86RF215. This is relevant if the O-QPSK PHY is intended to be used with frequency bands other than the bands specified in Table 66 of [3]. However, some constraints must be taken into consideration with respect to the maximum crystal tolerance. In particular, let f_c be the carrier frequency of the desired channel. The value

$$p_{\max} = \pm \frac{f_0}{f_c} p_0$$

defines the value of the maximum crystal tolerance in ppm, where f_c and p_0 are given in Table 6-107.

Table 6-107. Parameter for Maximum Crystal Tolerance

PHY Type	Chip Rate [kchip/s]	f_0 [GHz]	p_0 [ppm]
MR-O-QPSK	100	1.0	20
	200	1.0	20
	1000	1.0	20
	2000	2.5	20
Legacy O-Q-PSK	1000	1.0	50
	2000	2.5	50

At center frequencies of multiples of 26MHz or 32MHz, the receive band might be subject to spurious emission. In case of a noticeable degradation due to spurious emission, it is recommended enabling spurious compensation by setting sub-register [OQPSKC2.SPC](#) to 1.

For MR-O-QPSK, the AT86RF215 supports receive operation with reduced power consumption (RPC) during RX listen. This can be configured with sub-register [OQPSKC2.RPC](#) set to 1.

The principle of power saving is similar to the one of MR-FSK (see "[Reduced Power Consumption \(RPC\)](#)" on page 99), with the exception that the OFF and ON time cannot be configured.

RPC is not supported for legacy O-QPSK.

The RPC mode should not be used during energy measurement, see section "[Energy Measurement](#)" on page 56. Energy measurements during RPC may lead to incorrect energy detection values [EDV.EDV](#).

6.12.4 Register Description

6.12.4.1 BBCn_OQPSKC0 – O-QPSK Configuration Byte 0

This register configures the O-QPSK PHY.

Bit	7	6	5	4	3	2	1	0	
	–	–	–	DM	MOD	–	FCHIP		BBCn_OQPSKC0
Read/Write	R	R	R	RW	RW	R	RW	RW	
Initial Value	0	0	0	0	0	0	0	0	

- **Bit 4 – OQPSKC0.DM: Direct Modulation**

If this sub-register and sub-register [RFxx_TXDFE.DM](#) are set to 1, the direct modulation for OQPSK is enabled. This sub-register is applicable if [OQPSKC0.FCHIP](#) is 0 or 1 and ignored otherwise.

- **Bit 3 – OQPSKC0.MOD: Modulation**

This sub-register configures the impulse response of the shaping filter.

Table 6-108. MOD

Sub-register	Name	Value	Description
MOD	BB_RC08	0x0	RC-0.8 shaping (raised cosine, roll-off = 0.8)
	BB_RRC08	0x1	RRC-0.8 shaping (root raised cosine, roll-off = 0.8)

- **Bit 1:0 – OQPSKC0.FCHIP: Chip Frequency**

This sub-register configures the O-QPSK chip frequency.

Table 6-109. FCHIP

Sub-register	Name	Value	Description
FCHIP	BB_FCHIP100	0x0	100kchip/s
	BB_FCHIP200	0x1	200kchip/s
	BB_FCHIP1000	0x2	1000kchip/s
	BB_FCHIP2000	0x3	2000kchip/s

6.12.4.2 BBCn_OQPSKC1 – O-QPSK Configuration Byte 1

This register configures the O-QPSK PHY.

Bit	7	6	5	4	3	2	1	0	
	RXO		RXOLEG		PDT1		PDT0		BBCn_OQPSKC1
Read/Write	RW	RW	RW	RW	RW	RW	RW	RW	
Initial Value	1	1	0	1	1	0	1	1	

- **Bit 7 – OQPSKC1.RXO: Receiver Override for MR-O-QPSK PHY**

This bit configures the receiver override mode for MR-O-QPSK. If this bit is set to 1, the receiver override function is enabled.

Table 6-110. RXO

Sub-register	Value	Description
RXO	0x0	Receiver override disabled
	0x1	Receiver override enabled

- **Bit 6 – OQPSKC1.RXOLEG: Receiver Override for legacy O-QPSK PHY**

This sub-register configures the receiver override mode for legacy O-QPSK. If this bit is set to 1, the receiver override function is enabled.

Table 6-111. RXOLEG

Sub-register	Value	Description
RXOLEG	0x0	receiver override disabled
	0x1	receiver override enabled

- **Bit 5:3 – OQPSKC1.PDT1: Preamble Detection Threshold 1**

Lower values increase the preamble detector sensitivity for legacy O-QPSK.

- **Bit 2:0 – OQPSKC1.PDT0: Preamble Detection Threshold 0**

Lower values increase the preamble detector sensitivity for MR-O-QPSK.

6.12.4.3 BBCn_OQPSKC2 – OQPSK Configuration Byte 2

This register configures the O-QPSK PHY.

Bit	7	6	5	4	3	2	1	0	
	–	–	SPC	RPC	ENPROP	FCSTLEG	RXM		BBCn_OQPSKC2
Read/Write	R	R	RW	RW	RW	RW	RW	RW	
Initial Value	0	0	0	0	1	1	0	0	

- **Bit 5 – OQPSKC2.SPC: RX Spurious Compensation**

This bit should be set to 1 for receive channels being multiple of 26MHz or 32MHz. A Spurious compensation is activated to improve O-QPSK sensitivity in this environment.

Table 6-112. SPC

Sub-register	Value	Description
SPC	0x0	RX Spurious Compensation disabled
	0x1	RX Spurious Compensation enabled

- **Bit 4 – OQPSKC2.RPC: Reduce Power Consumption**

If this sub-register is set to 1, the receiver operates in a reduced power consumption mode (RPC), provided the receiver is listening for frames of the MR-O-QPSK PHY only (RXM is 0).

Table 6-113. RPC

Sub-register	Value	Description
RPC	0x0	power saving is disabled
	0x1	power saving is enabled

- **Bit 3 – OQPSKC2.ENPROP: Enable Proprietary Modes**

If this sub-register is set to 1, reception of proprietary rate modes > 3 is supported.

Table 6-114. ENPROP

Sub-register	Value	Description
ENPROP	0x0	Reception of proprietary rate modes is not supported
	0x1	Reception of proprietary rate modes is supported

- **Bit 2 – OQPSKC2.FCSTLEG: FCS type for Legacy O-QPSK PHY**

This sub-register configures the FCS type for legacy O-QPSK PHY reception.

Table 6-115. FCSTLEG

Sub-register	Value	Description
FCSTLEG	0x0	FCS type for legacy O-QPSK is 32-bit (this mode is a proprietary setting)
	0x1	FCS type legacy O-QPSK is 16-bit

- **Bit 1:0 – OQPSKC2.RXM: Receive Mode**

This sub-register configures the receive mode.

Table 6-116. RXM

Sub-register	Value	Description
RXM	0x0	Listen for frames of MR-O-QPSK PHY only
	0x1	Listen for frames of legacy O-QPSK PHY only (if applicable)
	0x2	Listen for both, frames of MR-O-QPSK and legacy O-QPSK PHY (if applicable)
	0x3	Disable detection for both PHYs

6.12.4.4 BBCn_OQPSKC3 – O-QPSK Configuration Byte 3

This register configures the O-QPSK PHY.

Bit	7	6	5	4	3	2	1	0	
	–	–	HRLEG	–	NSFD		–	–	BBCn_OQPSKC3
Read/Write	R	R	RW	R	RW	RW	R	R	
Initial Value	0	0	0	0	0	0	0	0	

- Bit 5 – OQPSKC3.HRLEG: High Rate Legacy OQPSK**

If this bit is set to 1, the TRX enables a proprietary high data rate mode for legacy O-QPSK. This applies for both, transmit and receive.

Table 6-117. HRLEG

Sub-register	Value	Description
HRLEG	0x0	Legacy O-QPSK according to IEEE Std 802.15.4-2006
	0x1	Proprietary legacy O-QPSK high data rate mode

- Bit 3:2 – OQPSKC3.NSFD: SFD Search Space for MR-O-QPSK**

This sub-register configures the search space of SFD words for MR-O-QPSK.

Table 6-118. NSFD

Sub-register	Value	Description
NSFD	0x0	Search for SFD_1 only
	0x1	Search for SFD_1 and SFD_2
	0x2	Search for SFD_1 and SFD_3
	0x3	Search for SFD_1 and SFD_2 and SFD_3

6.12.4.5 BBCn_OQPSKPHRTX – O-QPSK PHR TX

This register configures the O-QPSK PHR field for the next transmit frame.

Bit	7	6	5	4	3	2	1	0	
	–	–	PPDUT	RB0	MOD		LEG		BBCn_OQPSKPHRTX
Read/Write	R	R	RW	RW	RW	RW	RW	RW	
Initial Value	0	0	0	0	0	0	0	0	

- Bit 5 – OQPSKPHRTX.PPDUT: PPDU Type Selection for MR-O-QPSK**

PPDUT configures the PPDU Type for MR-O-QPSK.

Table 6-119. PPDUT

Sub-register	Value	Description
PPDUT	0x0	PPDU Type 1 - PPDU with SFD_1, PHR and PSDU of variable length.
	0x1	PPDU Type 2 - PPDU with SFD_2 or SFD_3 and PSDU of fixed length. (SFD_2: PSDU length is 7 octets) (SFD_3: PSDU length is 18 octets)

- **Bit 4 – OQPSKPHRTX.RB0: Reserved Bit 0**

This bit configures the content of the reserved bit RB0 of MR-O-QPSK or reserved bit for legacy O-QPSK.

- **Bit 3:1 – OQPSKPHRTX.MOD: Rate Mode**

This sub-register configures the rate mode for MR-O-QPSK.

Table 6-120. MOD

Sub-register	Value	Description
MOD	0x0	Rate mode 0 (IEEE Std 802.15.4g-2012)
	0x1	Rate mode 1 (IEEE Std 802.15.4g-2012)
	0x2	Rate mode 2 (IEEE Std 802.15.4g-2012)
	0x3	Rate mode 3 (IEEE Std 802.15.4g-2012)
	0x4	Rate mode 4 (proprietary, setting reserved bit RB1 to 1), only supported for 2000kchip/s

- **Bit 0 – OQPSKPHRTX.LEG: PHY Type**

This bit configures the PHY type.

Table 6-121. LEG

Sub-register	Value	Description
LEG	0x0	MR-O-QPSK
	0x1	Legacy O-QPSK

6.12.4.6 BBCn_OQPSKPHRRX – O-QPSK PHR RX

This register contains information of the PHR field of the last received O-QPSK frame.

Bit	7	6	5	4	3	2	1	0	
	–	–	PPDUT	RB0	MOD			LEG	BBCn_OQPSKPHRRX
Read/Write	R	R	R	R	R	R	R	R	
Initial Value	0	0	0	0	0	0	0	0	

- **Bit 5 – OQPSKPHRRX.PPDUT: PPDU Type Indication for MR-O-QPSK**

This bit reflects the PPDU type for the last received MR-O-QPSK frame.

Table 6-122. PPDUT

Sub-register	Value	Description
PPDUT	0x0	Frame with PPDU type 1 received
	0x1	Frame with PPDU type 2 received

- **Bit 4 – OQPSKPHRRX.RB0: Reserved Bit 0**

This bit reflects the content of the reserved PHR bit RB0 of the last received MR-O-QPSK frame or reserved bit of the last received legacy O-QPSK frame.

- **Bit 3:1 – OQPSKPHRRX.MOD: Rate Mode**

This sub-register reflects the rate mode of the last received MR-O-QPSK frame.

Table 6-123. MOD

Sub-register	Value	Description
MOD	0x0	Rate mode 0 (IEEE Std 802.15.4g-2012)
	0x1	Rate mode 1 (IEEE Std 802.15.4g-2012)
	0x2	Rate mode 2 (IEEE Std 802.15.4g-2012)
	0x3	Rate mode 3 (IEEE Std 802.15.4g-2012)
	0x4	Rate mode 4 (proprietary, reserved bit RB1 = 1), only supported for 2000kchip/s

- **Bit 0 – OQPSKPHRRX.LEG: PHY Type**

This bit reflects the PHY type of the last received O-QPSK frame.

Table 6-124. LEG

Sub-register	Value	Description
LEG	0x0	MR-O-QPSK frame received
	0x1	Legacy O-QPSK frame received

6.12.4.7 RFn_TXDFE – Transmitter TX Digital Frontend

The register configures the transmitter digital frontend.

Bit	7	6	5	4	3	2	1	0	
	RCUT			DM	SR				RFn_TXDFE
Read/Write	RW	RW	RW	RW	RW	RW	RW	RW	
Initial Value	0	0	0	0	0	0	0	1	

- **Bit 4 – TXDFE.DM: Direct Modulation**

If this sub-register is set to 1 the transmitter direct modulation is enabled. Direct modulation is available for FSK and OQPSK (OQPSKC0.FCHIP=0;1). Direct modulation must also be enabled at the BBCx registers (FSKDM.EN and OQPSKC0.DM).

6.13 Frame Buffer

6.13.1 Overview

Each baseband core has access to two frame buffers: one buffer for TX and one for RX. Both frame buffers are accessible by SPI (see section "[SPI Transceiver Control Interface](#)") for read and write. The buffers are shared between the different baseband cores.

During TX the baseband core reads payload data (PSDU) for transmission from the transmit frame buffer. The transmit frame buffer holds up to 2047 PSDU octets. The register [BBCn_FBTXS](#) addresses the first octet, while the register [BBCn_FBTXE](#) addresses the last octet of the transmit frame buffer. The content of the lowest frame buffer address (i.e. [BBCn_FBTXS](#)) is transmitted first.

On receive, the baseband core stores up to 2047 PSDU octets in the receive frame buffer. Register [BBCn_FBRXS](#) addresses the first octet, while register [BBCn_FBRXE](#) addresses the last octet of the receive frame buffer. The first received PSDU octet is stored to the lowest frame buffer address (i.e. [BBCn_FBRXS](#)).

6.13.2 Receive

During receive, the baseband core stores the received PSDU octets to the receive frame buffer. The first PSDU octet is stored after IRQ RXFS (receiver frame start) is issued. The number of received octets is updated with IRQ RXFS and can be read from the registers [BBCn_RXFLH](#) and [BBCn_RXFLL](#). If IRQ RXFE (receiver frame end) occurs, the complete PSDU (incl. FCS) has been stored to the receive frame buffer.

6.13.3 Transmit

Since the PHYs automatically generate the SHR and PHR from predefined settings, the frame buffer holds PHY payload (PSDU) only. The baseband cores start with the transmission of the PPDU after the frame preamble has been transmitted. During transmit, the first frame buffer read access occurs after the end of the preamble (part of the SHR) transmission. The length of the preamble depends of the selected PHY. Further frame buffer accesses, for consecutive PSDU octets, have an arbitrary timing. Once the IRQ TXFE is issued, all PSDU octets are completely read and transmitted. The PSDU data must be provided to the frame buffer latest right before it is required otherwise a TX under-run occurs (see "[Transmit Frame Buffer Under-run Detection](#)" below).

The PSDU length of the transmitted frame is configured by the concatenation of the registers [BBCn_TXFLL](#) and [BBCn_TXFLH](#). The length includes the FCS field.

The AT86RF215 implements an automatic frame check sequence (FCS) generation (see "[Frame Check Sequence](#)" on [page 138](#)). It is enabled by the sub-register [PC.TXAFCS](#) and the sub-register [PC.FCST](#) configures the length of the FCS (16-bit / 32-bit). If the automatic FCS generation is enabled, the PSDU octets containing the FCS are generated by the AT86RF215 and it is not required to provide the FCS to the transmit frame buffer.

6.13.4 Transmit Frame Buffer Under-run Detection

It is not required to provide the complete PSDU before transmit frame start. The baseband core reads the PHY payload, after the preamble transmission from the transmit frame buffer. Thus, the transmit frame buffer can be written after the transmit frame start while the preamble is transmitted.

If the external MCU fails to provide the PSDU before it is required by the baseband core, a transmit frame buffer under-run event occurs. The AT86RF215 transmits (unwanted) previous octets. The sub-register [PS.TXUR](#) indicates missing TX data in the frame buffer. It is set and reset respectively to the equation:

$$PS.TXUR = \begin{cases} 1 & \text{if } ADDR_{SPI} < ADDR_{CORE} \\ 0 & \text{if SPI write access to } BBCn_TXFLL \\ PS.TXUR & \text{else} \end{cases}$$

where $ADDR_{SPI}$ is the last frame buffer write address (via SPI) and $ADDR_{CORE}$ is the last frame buffer read access address (from baseband core).

Note, the PSDU, written to the transmit frame buffer, must contain the FCS field regardless of the sub-register **PC.TXAFCS**. If the sub-register **PC.TXAFCS** is set to 1, the FCS data in the transmit frame buffer can have any value.

Once the sub-register **PS.TXUR** is set to 1, it remains 1. With an SPI write access to the register **BBCn_TXFLL**, the sub-register **PS.TXUR** is reset to 0 and the value of $ADDR_{SPI}$ is set to "-1".

If the sub-register **PC.TXAFCS** is set to 1 and a buffer under-run event has occurred, the FCS is calculated based on the data currently stored in the frame buffer (corrupted PSDU). That means, that the frame is coherent, but the containing data are wrong.

Figure 6-29 shows the flow chart of a frame transmit with transmit frame buffer under-run detection. This scenario is applicable if the transmit frame start is not be delayed by the writing of the PSDU data. This comes with the risk of transmit frame buffer under-run event.

Figure 6-29. Frame Transmit Flow using Transmit Under-run Indication

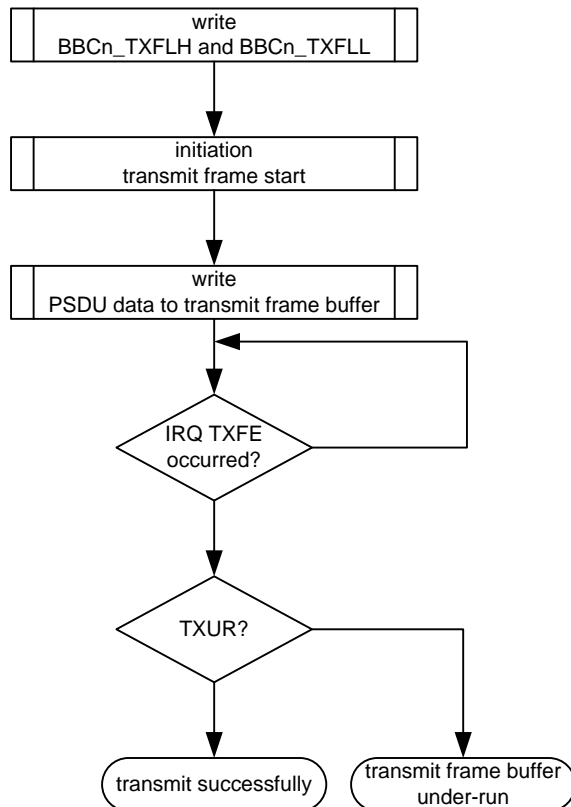
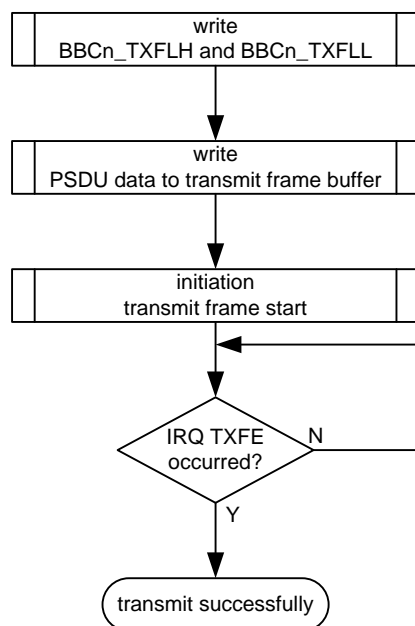


Figure 6-30 shows a reliable frame transmit flow with no frame buffer under-run event since the frame payload is stored to the transmit frame buffer before the transmit start is triggered.

Figure 6-30. Safe Frame Transmit Flow



If the frame needs to be re-transmitted without any change of the payload data, neither the transmit frame buffer nor the transmit frame length ([BBCn_TXFLH](#), [BBCn_TXFLL](#)) needs to be updated. In this scenario, the sub-register [PS.TXUR](#) remains unchanged.

6.13.5 Frame Buffer Level Monitor

The frame buffer level (FBL) monitor is a level gauge that provides the actual number of octets read/stored from/to the frame buffer by the baseband core. The processing of the payload octets can be monitored with the FBL. It is used in transmit and receive procedures differently.

During frame receive the FBL indicates the number of bytes stored from the baseband core to the receive frame buffer. The FBL value is reset with the starting the receive procedure (i.e. by writing the command [RX](#) to the register [RFn_CMD](#)).

During frame transmit the FBL indicates the number of octets already read by the baseband core from the transmit frame buffer. The FBL is reset while the preamble transmit is in progress.

The value of the frame buffer level is stored to the registers [BBCn_FBLL](#) and [BBCn_FBLH](#). Both registers are concatenated to the 11-bit frame buffer level (FBL) value.

6.13.6 Frame Buffer Level Interrupt

The frame buffer level interrupt (FBLI) is a baseband interrupt. For further information about baseband interrupts see section "[Baseband Interrupts](#)" on page 82.

The IRQ FBLI is issued if the current number of received bytes is greater than the number stored to the FBLI value while writing to the register [BBCn_FBLIH](#).

During frame reception the interrupt FBLI is issued if a certain number of octets have been actually received (i.e. stored to the frame buffer). The number of received octets can be configured by the FBLI value. The registers [BBCn_FBLIL](#) and [BBCn_FBLIH](#) are concatenated to the 11-bit FBLI value.

6.13.7 Register Description

6.13.7.1 BBCn_PS – PHY Status and Settings

This register contains PHY status information.

Bit	7	6	5	4	3	2	1	0	
	–	–	–	–	–	–	–	TXUR	BBCn_PS
Read/Write	RW	R	R	R	R	R	R	R	
Initial Value	0	0	0	0	0	0	0	0	

- **Bit 0 – PS.TXUR: TX Underrun**

Bit TXUR indicates a TX frame buffer underrun. If the last frame buffer write address is lower than the current internal frame buffer read address during frame transmit, the sub-register is set to 1. It is reset with CMD=TX (Transmit Start).

6.13.7.2 BBCn_FBLL – Frame Buffer Level Low Byte

This register contains the eight least significant bits of the frame buffer level (FBL) value. To get a consistent value, the register values FBLL and FBLH must read by a SPI block access.

Bit	7	6	5	4	3	2	1	0	
	FBLL								BBCn_FBLL
Read/Write	R	R	R	R	R	R	R	R	
Initial Value	0	0	0	0	0	0	0	0	

6.13.7.3 BBCn_FBLH – Frame Buffer Level High Byte

This register contains the three most significant bits of the frame buffer level (FBL).

Bit	7	6	5	4	3	2	1	0	
	–	–	–	–	–	FBLH			BBCn_FBLH
Read/Write	R	R	R	R	R	R	R	R	
Initial Value	0	0	0	0	0	0	0	0	

6.13.7.4 BBCn_RXFLH – RX Frame Length High Byte

This register contains the three most significant bits of the RX frame length. It is updated if a valid PHR is detected. Note, that an RX frame length of 0 prevents IRQ RXFS.

Bit	7	6	5	4	3	2	1	0	
	–	–	–	–	–	RXFLH			BBCn_RXFLH
Read/Write	R	R	R	R	R	R	R	R	
Initial Value	0	0	0	0	0	0	0	0	

6.13.7.5 BBCn_RXFLL – RX Frame Length Low Byte

This register contains the eight least significant bits of the RX frame length. It is updated if a valid PHR is detected. Note, that an RX frame length of 0 prevents IRQ RXFS.

Bit	7	6	5	4	3	2	1	0	
	RXFLL								BBCn_RXFLL
Read/Write	R	R	R	R	R	R	R	R	
Initial Value	0	0	0	0	0	0	0	0	

6.13.7.6 BBCn_TXFLH – TX Frame Length High Byte

This register contains the three most significant bits of the TX frame length.

Bit	7	6	5	4	3	2	1	0	
	-					TXFLH			BBCn_TXFLH
Read/Write	R	R	R	R	R	RW	RW	RW	
Initial Value	0	0	0	0	0	0	0	0	

6.13.7.7 BBCn_TXFLL – TX Frame Length Low Byte

This register contains the eight least significant bits of the TX frame length.

Bit	7	6	5	4	3	2	1	0	
	TXFLL								BBCn_TXFLL
Read/Write	RW	RW	RW	RW	RW	RW	RW	RW	
Initial Value	0	0	0	0	0	0	0	0	

6.13.7.8 BBCn_FBRXS – Frame Buffer RX Start

This register contains the first octet of the receive frame buffer.

Bit	7	6	5	4	3	2	1	0	
	FBRXS								BBCn_FBRXS
Read/Write	RW	RW	RW	RW	RW	RW	RW	RW	
Initial Value	0	0	0	0	0	0	0	0	

6.13.7.9 BBCn_FBRXE – Frame Buffer RX End

This register contains the last octet of the receive frame buffer.

Bit	7	6	5	4	3	2	1	0	
	FBRXE								BBCn_FBRXE
Read/Write	RW	RW	RW	RW	RW	RW	RW	RW	
Initial Value	0	0	0	0	0	0	0	0	

6.13.7.10 BBCn_FBTXS – Frame Buffer TX Start

This register contains the first octet of the transmit frame buffer.

Bit	7	6	5	4	3	2	1	0	
	FBTXS								BBCn_FBTXS
Read/Write	RW	RW	RW	RW	RW	RW	RW	RW	
Initial Value	0	0	0	0	0	0	0	0	

6.13.7.11 BBCn_FBTXE – Frame Buffer TX End

This register contains the last octet of the transmit frame buffer.

Bit	7	6	5	4	3	2	1	0	
	FBTXE								BBCn_FBTXE
Read/Write	RW	RW	RW	RW	RW	RW	RW	RW	
Initial Value	0	0	0	0	0	0	0	0	

6.13.7.12 BBCn_FBLIL – Frame Buffer Level Interrupt Value Low Byte

This register contains the eight least significant bits of the frame buffer level interrupt (FBLI) value. A new FBLI value is valid if the register FBLIH is written.

Bit	7	6	5	4	3	2	1	0	
	FBLIL								BBCn_FBLIL
Read/Write	RW	RW	RW	RW	RW	RW	RW	RW	
Initial Value	1	1	1	1	1	1	1	1	

6.13.7.13 BBCn_FBLIH – Frame Buffer Level Interrupt Value High Byte

This register contains the three most significant bits of the frame buffer level interrupt value. If this sub-register is written, the value in register FBLIL will be valid.

Bit	7	6	5	4	3	2	1	0	
	–	–	–	–	–	FBLIH			BBCn_FBLIH
Read/Write	R	R	R	R	R	RW	RW	RW	
Initial Value	0	0	0	0	0	1	1	1	

6.14 Frame Check Sequence

6.14.1 Overview

The AT86RF215 supports an automatic handling of the frame check sequence (FCS) for TX and RX. Two different FCS types are defined in [3]: a 16-bit CRC and a 32-bit CRC. The FCS type used, is selected by sub-register [PC.FCST](#).

The embedded frame check sequence unit (FCS) is characterized by:

- Indication of bit errors, based on a cyclic redundancy check (CRC) of length 16 bit or 32 bit
- Use of International Telecommunication Union (ITU) CRC polynomial
- Automatic evaluation during reception
- Automatic generation during transmission.

6.14.2 Transmit

If the AT86RF215 operates in state TX, the FCS can be automatically calculated and appended to the PHY payload (PSDU). If the sub-register [PC.TXAFCS](#) is set to 1, the last two octets (16-bit FCS) or four octets (32-bit FCS) of the transmitted PSDU are replaced by the internally calculated FCS. The [Table 6-125 below](#) shows the supported PSDU size depending on the different FCS length settings. If a PSDU length is shorter or equal than the FCS length transmitted, the automatic FCS generation is not supported.

Table 6-125. Supported Transmit PSDU Length depending on FCS Type

TX FCS Type	Automatic FCS insertion	Supported PSDU length
32-bit; PC.FCST = 0	PC.TXAFCS = 1	5..2047
16-bit; PC.FCST = 1	PC.TXAFCS = 1	3..2047
32-bit or 16-bit	PC.TXAFCS = 0	1..2047

If the sub-register [PC.TXAFCS](#) is set to 0, the FCS is read/transmitted from the transmit frame buffer (see section "[Frame Buffer](#)" on page 132).

6.14.3 Receive

If the device operates in state RX, the FCS is automatically checked. The sub-register [PC.FCSOK](#) provides the result of this check. It is updated with IRQ RXFE. [Table 6-126 below](#) shows the FCS handling for specific PSDU length.

Table 6-126. Supported Receive PSDU Length depending on FCS Type

RX FCS Type	Receive PSDU length	Receiver FCS check
32-bit	0	Frame not handled (no IRQ RXFE)
	1..3	FCS not valid
	4..2047	FCS checked
16-bit	0	Frame not handled (no IRQ RXFE)
	1	FCS not valid
	2..2047	FCS checked

Note: If the baseband core receives a legacy O-QPSK (see section "[O-QPSK PHY](#)" on page 120) frame, the sub-register [PC.FCST](#) is not used and the value set in the sub-register [OQPSKC2.FCSTLEG](#) is applied instead.

6.14.4 Interrupt Receiver Frame End

The interrupt receiver frame end (RXFE) occurs at frame end to indicate that the controller can further process the received frame.

The FCS is intended for use at the MAC layer to detect corrupted frames at the first level of filtering (see section "First Level of Filtering" on page 141). The first level of filtering discards all received frames that do not have a valid FCS field. If the sub-register `PC.FCSFE` is set to 0, a frame passes the first level of filtering regardless of the validity of the FCS field.

If a frame passes this filtering, an IRQ RXFE is issued otherwise an IRQ RXFE is omitted.

Note: This rule is only sufficient if the address filter is not enabled (see section "Frame Filter" on page 141). Table 6-136 shows the dependencies if the address filter is enabled.

6.14.5 Register Description

6.14.5.1 BBCn_PC – PHY Control

This register configures the baseband PHY.

Bit	7	6	5	4	3	2	1	0	
	CTX	FCSFE	FCSOK	TXAFCS	FCST	BBEN	PT		BBCn_PC
Read/Write	RW	RW	R	RW	RW	RW	RW	RW	
Initial Value	0	1	0	1	0	1	0	0	

- **Bit 7 – PC.CTX: Continuous Transmit**

This sub-register enables the continuous transmit mode.

Table 6-127. CTX

Sub-register	Value	Description
CTX	<u>0x0</u>	Continuous transmission disabled
	<u>0x1</u>	Continuous transmission enabled

- **Bit 6 – PC.FCSFE: Frame Check Sequence Filter Enable**

This sub-register configures the filter function of the FCS check. If this sub-register is set to 1, an IRQ RXFE occurs only if the frame has a valid FCS. If this sub-register is set to 0, an IRQ RXFE occurs regardless of the FCS validity.

Table 6-128. FCSFE

Sub-register	Value	Description
FCSFE	<u>0x0</u>	FCS filter disabled
	<u>0x1</u>	FCS filter enabled

- **Bit 5 – PC.FCSOK: Frame Check Sequence OK**

This sub-register indicates whether the FCS of a detected frame is valid or not. This sub-register is automatically set to 0 if a frame start is detected. FCSOK is updated once the frame is received completely.

Table 6-129. FCSOK

Sub-register	Value	Description
FCSOK	<u>0x0</u>	FCS not valid
	0x1	FCS valid

- **Bit 4 – PC.TXAFCS: Transmitter Auto Frame Check Sequence**

If the sub-register TXAFCS is set to 1 during transmission, the internal calculated FCS (type dependent of FCST) is inserted into the last 2 or 4 PSDU octets, respectively. Note, this sub-register should be set to 1 only if the TX frame length is greater than the length of the selected FCS type, otherwise sub-register TXAFCS should be set to 0.

Table 6-130. TXAFCS

Sub-register	Value	Description
TXAFCS	0x0	FCS not calculated
	<u>0x1</u>	FCS autonomously calculated

- **Bit 3 – PC.FCST: Frame Check Sequence Type**

The sub-register FCST configures the used Frame Check Sequence Type.

Table 6-131. FCST

Sub-register	Value	Description
FCST	<u>0x0</u>	FCS type 32-bit
	0x1	FCS type 16-bit

- **Bit 2 – PC.BBEN: Baseband Enable**

This sub-register enables the baseband.

Table 6-132. BBEN

Sub-register	Value	Description
BBEN	0x0	Baseband is not enabled (switched off)
	<u>0x1</u>	Baseband is enabled (switched on)

- **Bit 1:0 – PC.PT: PHY Type**

This sub-register sets the PHY type.

Table 6-133. PT

Sub-register	Name	Value	Description
PT	BB_PHYOFF	<u>0x0</u>	OFF
	BB_MRFSK	0x1	MR-FSK
	BB_MROFDM	0x2	MR-OFDM
	BB_MROQPSK	0x3	MR-O-QPSK or legacy O-QPSK

6.15 IEEE MAC Support

6.15.1 Overview

The AT86RF215 provides embedded IEEE MAC support reducing the MCU to transceiver interaction. The functionality is dedicated to support IEEE Std 802.15.4™-2006 [1].

The most common feature is the frame filter (see section "Frame Filter" below) which discards frames that are not directed to the device and thus prevents the controller to analyze the complete over-the-air traffic.

With the described procedure "Clear Channel Assessment with Automatic Transmit (CCATX)" on page 148 a CCA measurement is performed and a frame is automatically transmitted if the CCA result is appropriate. The procedure "Transmit and Switch to Receive (TX2RX)" on page 148 switches to state RX once the frame transmission is completed automatically. The section "Automatic Acknowledgement (AACK)" on page 146 describes a procedure to automatically transmit an acknowledgement frame in response to a received frame.

It is not allowed to modify the registers mentioned in Table 6-134 below while an IEEE MAC Support procedure is active.

Table 6-134. Registers, modified by IEEE MAC Support procedures

Register	Used by MAC procedure
BBCn_OQPSKPHRTX	AACK
BBCn_OFDMPHRTX	AACK
BBCn_FSKPHRTX	AACK
RFn_CMD	AACK, CCATX, TX2RX
RFn_EDC	CCATX
RFn_AGCC	CCATX
BBCn_PC	CCATX

6.15.2 Frame Filter

6.15.2.1 Overview

Frame filtering is a procedure that evaluates whether or not a received frame matches predefined criteria, like address information or frame types. The filtering procedure as described in [1] clause 7.5.6.2. ("Reception and rejection") is applied to the frame. If a frame passes all selected filter criteria, the interrupt receiver frame end ([IRQS.RXFE](#)) is generated. If the IRQ RXFE is not issued, the received frame did not pass at least one of the enabled filters.

6.15.2.2 First Level of Filtering

The first level of filtering rejects all received frames that do not have a valid FCS field (see sub-register [PC.FCSFE](#)). In case [PC.FCSFE](#) is set to 0, a frame passes the first level of filtering regardless of the validity of the FCS field.

6.15.2.3 Second Level of Filtering

If the AT86RF215 operates in promiscuous mode, each received frame passes this filter stage. The promiscuous mode is enabled by sub-register [AFC0.PM](#). If the device does not operate in promiscuous mode, the address filtering is applied (if enabled).

6.15.2.4 Address Filter

The address filter consists of three filter blocks: global filter, 3rd level filter and extended filter. The 3rd level filter consists of four equal filter units to support multiple address filtering (see section "Multi Address Filtering (MAF)" on page 144). If at least one unit is enabled by [AFC0.AFEN0](#), [AFC0.AFEN1](#), [AFC0.AFEN2](#) or [AFC0.AFEN3](#), the address filter is enabled. The address filter rules are derived from the mentioned filter procedure (see section "Overview" on page 141) and extended to support two additional rules.

Global Filter Rules

- Frame type matches settings in sub-register [BBCn_AFFTM](#) (register [BBCn_AFFTM](#) operates as a global frame type filter)
- Frame version matches settings in sub-register [BBCn_AFFVM](#) (register [BBCn_AFFVM](#) operates as a global frame version filter)

Third Level Filter Rules

- If a destination PAN identifier is included in the frame, it should match [macPANId \[1\]](#) or shall be the broadcast PAN identifier.
- If a short destination address is included in the frame, it should match either [macShortAddress \[1\]](#) or the broadcast address. Otherwise, if an extended destination address is included in the frame, it shall match [macExtendedAddress \[1\]](#).
- If the frame type indicates that the frame is a beacon frame, the source PAN identifier shall match [macPanId](#) unless [macPANId](#) is equal to the broadcast PAN identifier in which case the beacon frame shall be accepted regardless of the source PAN identifier.
- If only source addressing fields are included in a data or MAC command frame, the frame shall be accepted only if the device is the PAN coordinator ([MACPANC](#) set) and the source PAN identifier matches [MACPID](#).
- 1st additional filter rule:
The frame type does not indicate an ACK frame.
- 2nd additional filter rule:
The frame contains any address.

If an incoming frame passes all global rules and all third level filter rules, an address match interrupt ([IRQS.RXAM](#)) occurs.

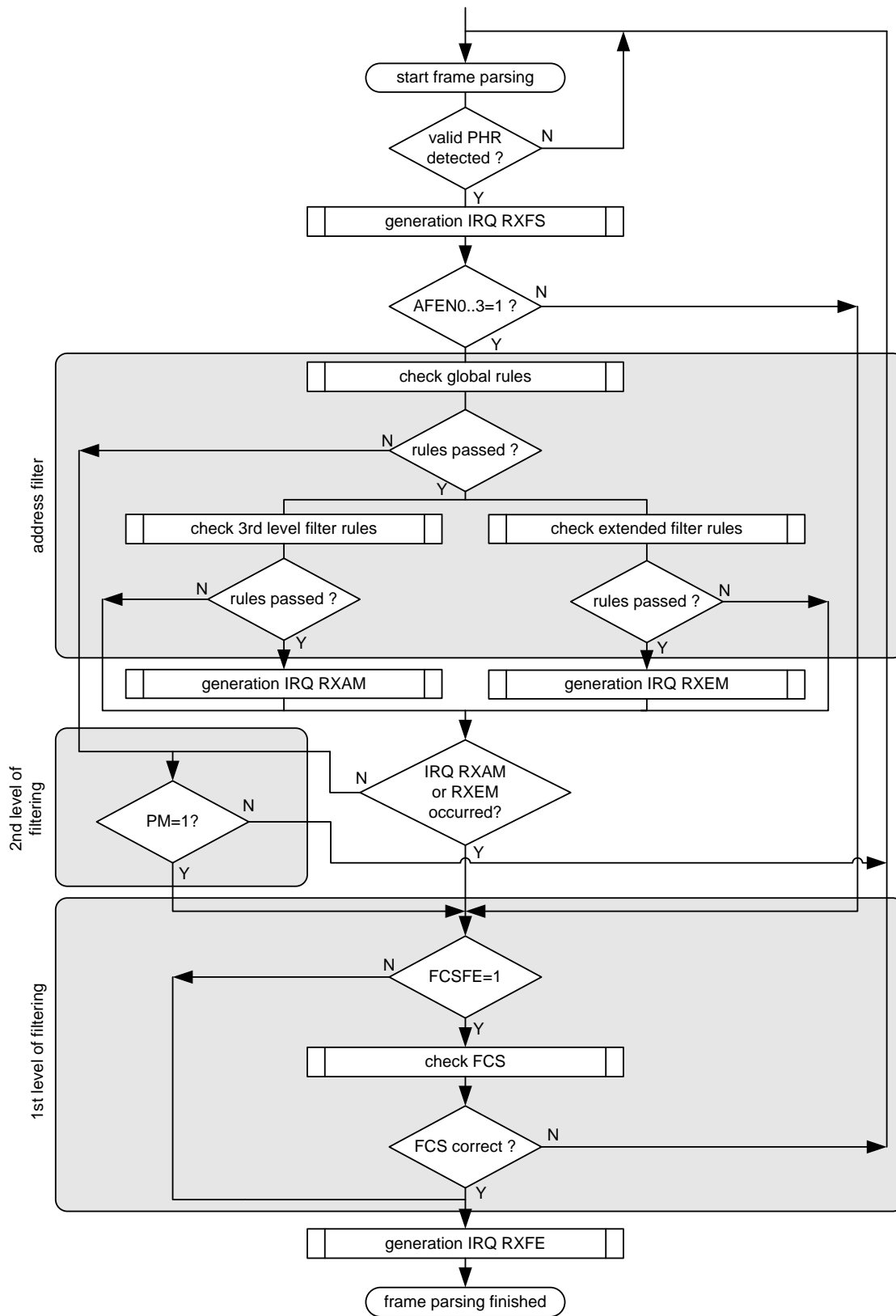
A frame which passes the global rules and one of the following extended rules, is considered as an extended frame and the extended match interrupt ([IRQS.RXEM](#)) is issued:

Extended Filter Rules

- The frame type has a value of 4 to 7
- The frame version indicates a value of 2 or 3
- The source address type is set to 1
- The frame type is not 0 and the destination address type is set to 1.

The different filter stages and its dependencies during frame parsing are shown in the flow chart in [Figure 6-31](#).

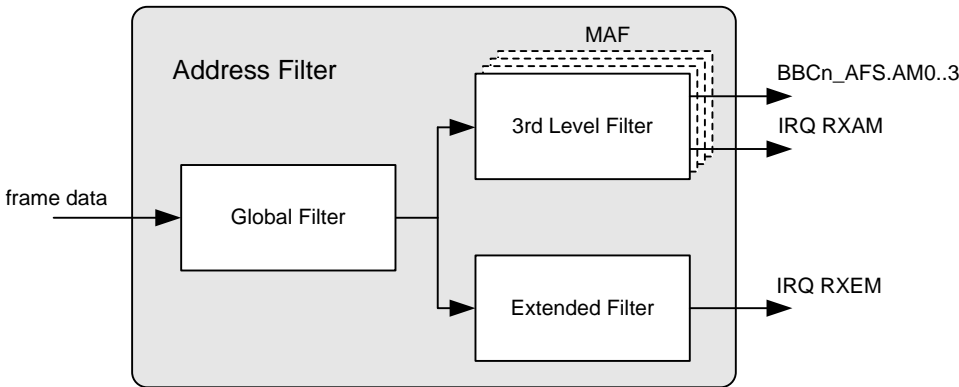
Figure 6-31. Flow Chart of Different Frame Filter Stages



6.15.2.5 Multi Address Filtering (MAF)

A device may be connected to different networks and may need to handle different addresses and network IDs. To support such scenarios, the address filter consists of four equal 3rd level filter units which work independently from each other. Each unit can be enabled and configured separately. If one unit detects an address match, the address match interrupt (IRQS.RXAM) is issued. The register BBCn_AFS indicates which unit has actually an address match detected.

Figure 6-32. Address Filter with Multi Address Filtering (MAF)



The 3rd level filter units are separately configurable by the following parameters (see Table 6-135 below):

- Enable bit
- macShortAddress
- macPanId
- PAN coordinator enable
- Map reserved frame types.

The same macExtendedAddress is valid for all 3rd level filter units.

6.15.2.6 Configuration and Status

The address filter rules require MAC relevant information. These MAC information are configured by several registers as shown in Table 6-135.

Table 6-135. Address Filter Registers

Sub-register Name	IEEE 802.15.4-2006 Attribute or Name	Size [bits]	Reset Value	Comment
AFEN*		1	0	If this sub-register is set to 1, the corresponding address filter unit is enabled.
MACEA0..7	macExtendedAddress	64	0	These registers define the macExtendedAddress.
MACSHA0F*, MACSHA1F*	macShortAddress	16	0xFFFF	These registers define the macSortAddress.
MACPID0F*, MACPID1F*	macPANId	16	0xFFFF	These registers define the macPANId.
PM	macPromiscuousMode	1	0	If this sub-register is set to 1, the frame filter operates in promiscuous mode.
PANC*	PANCoordinator	1	0	If this sub-register is set to 1, the frame filter operates as a PAN coordinator.

Sub-register Name	IEEE 802.15.4-2006 Attribute or Name	Size [bits]	Reset Value	Comment
AFFTM	frame type bitmask	8	0x0B	Address filter frame type bitmask.
MRFT*	map reserved frame types	1	0	If this sub-register is set to 1, incoming frames with reserved frame types [4..7] are filtered like data frames. If the frame header matches the address filter, RXAM IRQ occurs. A RXEM IRQ is issued anyway.
AFFVM	frame version bitmask	4	3	Address filter frame version mask
AM*	address filter status	1	0	If this bit is set to 1, the address filter has detected an address match. This bit is updated once the MAC header of an incoming frame is completely parsed.
EM	extended match status	1	0	If this bit is set to 1, the frame filter has detected an extended match. The bit is updated once the MAC header of an incoming frame is completely parsed.

Note: Register names marked with a star "*" are indexed with the last digit to be valid for each of the four 3rd level filter units (i.e. AFEN* is implemented as AFEN0, AFEN1, AFEN2, AFEN3).

6.15.2.7 Interrupts

Four baseband IRQs are related to frame reception, see section "Baseband Interrupts" on page 82 for further information about the other baseband interrupts. The interrupt receiver frame start (IRQS.RXFS) indicates a valid frame header detection. The interrupt receiver address match (IRQS.RXAM) occurs if the address filter is enabled and the frame matches the address filter rules. The interrupt receiver extended match (IRQS.RXEM) occurs if the address filter is enabled and the frame matches the extended rules, see above. The interrupt receiver frame end (IRQS.RXFE) occurs at frame end to indicate that the entire frame has been stored to the RX frame buffer and is available for further processing by an external microcontroller. IRQS.RXFE is only issued if all filters are passed. The dependencies of the four RX IRQs are shown in Table 6-136.

Table 6-136. Receiver IRQ Occurrences during Frame Receive Processing

Address filter settings and scan results					IRQ occurrence			
AFEN	AM	EM	PM	First Level of Filtering passed	IRQ RXFS	IRQ RXAM	IRQ RXEM	IRQ RXFE
address filter enabled	address filter match detected	extended match detected	receiver promiscuous mode					
0	n.a.	n.a.	n.a.	0	1	0	0	0
0	n.a.	n.a.	n.a.	1	1	0	0	1
1	0	0	0	0	1	0	0	0
1	1	0	0	0	1	1	0	0
1	0	1	0	0	1	0	1	0
1	1	1	0	0	1	1	1	0
1	0	0	0	1	1	0	0	0
1	0	0	1	1	1	0	0	1
1	0	1	0	1	1	0	1	1
1	0	1	1	1	1	0	1	1
1	1	0	0	1	1	1	0	1

Address filter settings and scan results					IRQ occurrence			
AFEN	AM	EM	PM	First Level of Filtering passed	IRQ RXFS	IRQ RXAM	IRQ RXEM	IRQ RXFE
address filter enabled	address filter match detected	extended match detected	receiver promiscuous mode					
1	1	0	1	1	1	1	0	1
1	1	1	0	1	1	1	1	1
1	1	1	1	1	1	1	1	1

Note: If an ACK frame is received, an IRQ RXFE occurs without the interrupts RXAM and RXEM.

6.15.3 Automatic Acknowledgement (AACK)

6.15.3.1 Overview

Automatic Acknowledgement is a procedure that transmits automatically an acknowledgement (ACK) frame if the following conditions of an incoming frame are met:

- Frame passes all third level filtering rules (see section "Address Filter" on page 142)
- The frame type is one (i.e. data frame) or three (i.e. MAC command frame)
- The ACK request bit of the frame control field is set to 1.

AACK Features:

- Automatic sequence number handling
- Automatic FCS generation
- Configurable timing between RX frame end and ACK frame start
- Data rate of ACK frame can be determined by incoming frame or by predefined TX settings
- Configuration of the ACK frame content source: Either the ACK frame content is generated internally or the ACK frame is sent from the TX frame buffer (requires controller interaction).
- FCS type of the ACK can be derived from incoming frame or from predefined settings

The embedded AACK procedure supports IEEE Std 802.15.4™-2006 [1]. Do not use AACK in conjunction with procedure "Transmit and Switch to Receive (TX2RX)".

6.15.3.2 Configuration

The AACK procedure is enabled if sub-register `AMCS.AACK` is set to 1. Additionally, the frame filter (see section "Frame Filter" on page 141) has to be enabled (and configured).

The ACK time t_{ack} between IRQ RXFE and ACK transmit start is configured by registers `BBCn_AMAACKTL` and `BBCn_AMAACKTH` (see section "Timing" on page 148).

The ACK frame data rate is selected by sub-register `AMCS.AACKDR`. This setting enables the feature ACK data rate adaptation. If sub-register `AMCS.AACKDR` is set to 1, some configured PHY settings are overwritten during the transmission of the ACK frame (see Table 6-137) and restored once the ACK frame transmit is completed. The re-programmed settings are PHY dependent as described in Table 6-137.

Table 6-137. Reprogrammed Data Rate Settings during AACK if sub-register [AMCS.AACKDR](#) is set to 1

PHY type	Reprogrammed data rate settings with feature ACK data rate adaptation	Comment
MR-OFDM	OFDMPHRTX.MCS = OFDMPHRRX.MCS	MCS level of the ACK frame is adapted to the MCS level of the received frame.
MR-FSK	FSKPHRTX.SFD = FSKPHRRX.SFD	SFD selection is adapted to the recognized SFD of the received frame.
MR-OQPSK / OQPSK	OQPSKPHRTX.LEG = OQPSKPHRRX.LEG OQPSKPHRTX.MOD = OQPSKPHRRX.MOD OQPSKPHRTX.PPDUT = OQPSKPHRRX.PPDUT	Transmission of legacy OQPSK upon receive of legacy OQPSK. Adaption of rate mode and PPDU type setting of the ACK frame to the received frame.

The ACK FCS type is selected by the sub-register [AMCS.AACKFA](#). If this sub-register is set to 1, the automatic FCS adaptation of the ACK frame is enabled. This feature applies to MR-FSK and legacy O-QPSK PHY only. For MR-OFDM and MR-OQPSK this feature has no effect since the FCS type of the received frame must match the setting in [PC.FCST](#) anyway.

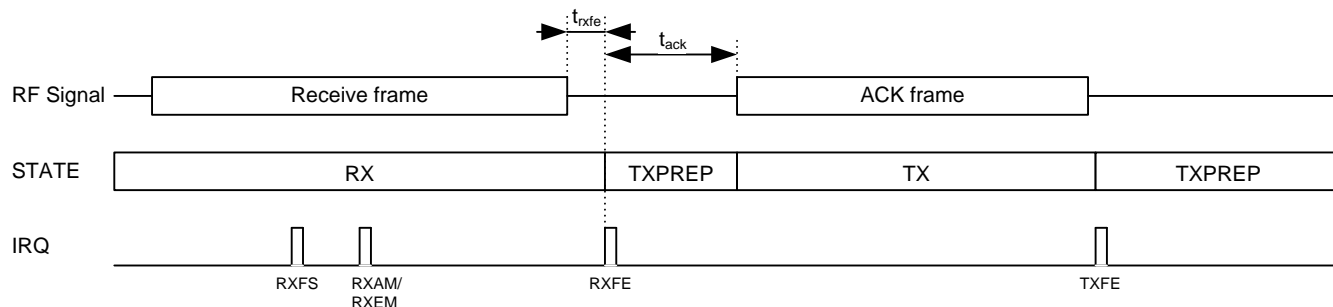
The source of the ACK frame content is set by the sub-register [AMCS.AACKS](#). If this sub-register is set to 0, the ACK frame content is generated autonomously by the AT86RF215. The sequence number of the received frame is copied to the ACK frame. Depending on the selected FCS type, the ACK frame has a length of 5 octets (16-bit FCS) or a length of 7 octets (32-bit FCS). The FCS is appended (as specified in [1] and [3]). The transmit frame buffer is not used.

If the sub-register [AMCS.AACKS](#) is set to 1, the ACK frame content is transmitted using the TX frame buffer content. The ACK frame length must be configured by registers [BBCn_TXFLL](#) and [BBCn_TXFLH](#). The MCU must provide the frame content to the transmit frame buffer and FCS settings before the time t_{ack} expires.

During ACK transmit, the frame pending field of the ACK's frame control field (see [1]) is derived from register [BBCn_AMAACKPD](#). Depending on the address filter unit that has detected an address filter match (see section "Multi Address Filtering (MAF)" on page 144), the content of sub-register [AMAACKPD.PD0](#), [AMAACKPD.PD1](#), [AMAACKPD.PD2](#) or [AMAACKPD.PD3](#) is copied to the frame pending field.

If the ACK frame transmission is sent completely, the IRQ TXFE occurs to indicate that the procedure is completed. [Figure 6-33](#) shows the AT86RF215 state, interrupts and RF-signals for the AACK procedure. If the received frame does not require an acknowledgement (e.g. for a beacon frame), the AACK procedure finishes with the interrupt RXFE in state TXPREP.

Figure 6-33. AACK Procedure



6.15.3.3 Timing

While the AT86RF215 is in the state RX, enabled receiver interrupts occur as described in section "Baseband Interrupts" on page 82. The interrupt RXFE has a delay of t_{rxfe} relative to the last bit at the antenna signal. The time t_{rxfe} depends on PHY settings.

The ACK frame is transmitted t_{ack} after the interrupt RXFE. The time t_{ack} is configurable by registers `BBCn_AMAACKTL` and `BBCn_AMAACKTH`.

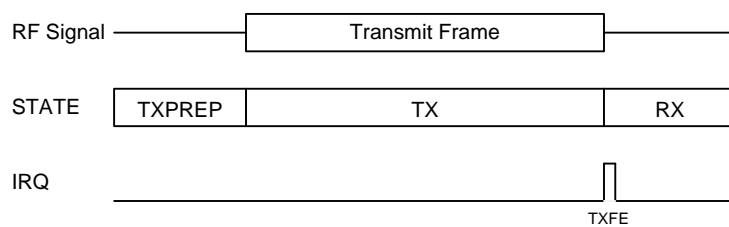
6.15.4 Transmit and Switch to Receive (TX2RX)

Transmit and switch to receive is a procedure that switches to the state RX automatically if the frame transmission is completed. The procedure is useful if an ACK reception is expected after a transmission.

The TX2RX feature can be combined with certain frame filter settings (i.e. blocking all frames except ACK frames) getting only the interrupt RXFE if an ACK frame is expected. Timeouts must be supervised by an external controller.

The procedure TX2RX is enabled by sub-register `AMCS.TX2RX`. Figure 6-34 shows a TX2RX scenario.

Figure 6-34. Behaviour of procedure TX2RX



Do not use procedure TX2RX together with procedure "Automatic Acknowledgement (AACK)" and not together with procedure "Clear Channel Assessment with Automatic Transmit (CCATX)".

6.15.5 Clear Channel Assessment with Automatic Transmit (CCATX)

The procedure CCATX provides a clear channel assessment (CCA) mechanism with an automatic frame transmission if the channel is assessed as idle. The CCA measurement based on the energy detection mode (CCA-ED) is supported only [1].

The procedure CCATX is enabled if the sub-register `AMCS.CCATX` is set to 1. It is started with a single energy detection (ED) measurement (by writing the value 0x1 to sub-register `EDC.EDM`; see section "Energy Measurement" on page 56). The ED measurement time t_{ED} is configured by the register `RFn_EDD` and the AT86RF215 must be in state RX to start the procedure. The interrupt EDC is issued if the ED measurement is finished. The ED result is compared to the threshold value set by register `BBCn_AMEDT`.

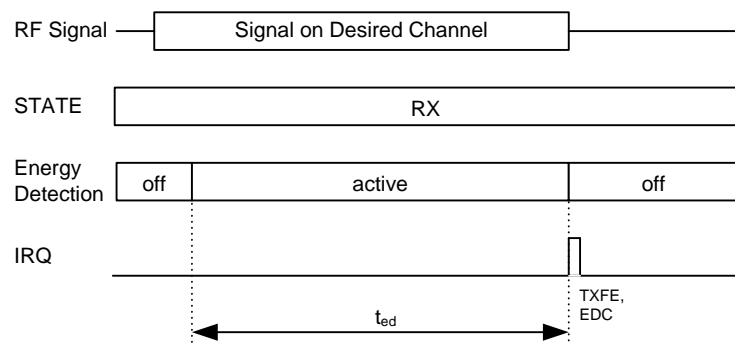
If the measured ED value is above the value in register `BBCn_AMEDT`, the channel is assessed as busy and the interrupt TXFE is issued. The sub-register `AMCS.CCAED` is set with the occurrence of the interrupt EDC containing the result of the comparison.

If the ED value is equal or below the value in register `BBCn_AMEDT`, the channel is assessed as clear. The sub-register `AMCS.CCAED` is set to 0 with the occurrence of the interrupt EDC. The AT86RF215 switches to state TXPREP and state TX automatically afterwards and transmits the frame from the TX frame buffer. Once the state TXPREP is reached the interrupt TRXRDY is issued. Once the frame transmission is completed, the interrupt TXFE is issued.

It is recommended disabling the baseband (set `PC.BBEN` to 0) to avoid that the baseband decodes/receives any frame during the ED measurement. The baseband is enabled automatically again (and the sub-register `PC.BBEN` is automatically set to 1) if the procedure CCATX detects a clear channel since the baseband must be enabled for transmit. If the baseband has been disabled for the measurement period and the channel has assessed as busy, the baseband needs to be enabled again by setting `PC.BBEN` to 1. Do not use procedure CCATX together with procedure "Transmit and Switch to Receive (TX2RX)".

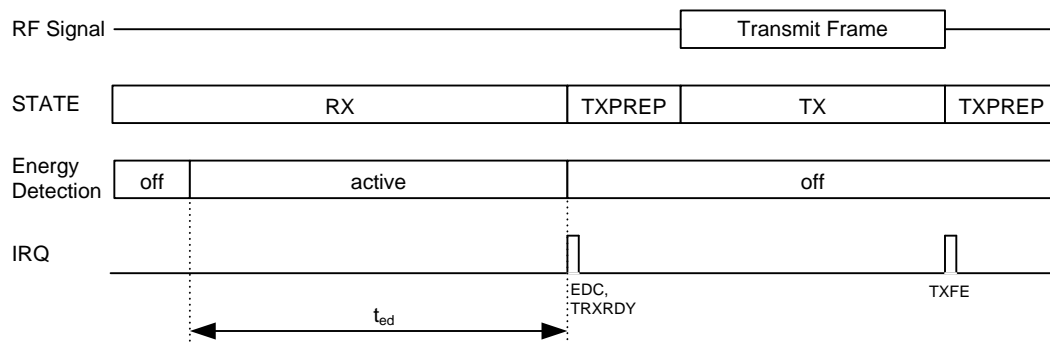
The following [Figure 6-35](#) and [Figure 6-36](#) show the respective behaviour.

Figure 6-35. Behaviour of procedure CCATX detecting a busy channel



Note: The procedure CCATX is started by a single ED measurement only (`EDC.EDM = 0x1`).

Figure 6-36. Behaviour of procedure CCATX detecting a clear channel



6.15.6 Register Description

6.15.6.1 BBCn_AFC0 – Address Filter Configuration 0

This register configures the address filter.

Bit	7	6	5	4	3	2	1	0	
	–	–	–	PM	AFEN3	AFEN2	AFEN1	AFEN0	BBCn_AFC0
Read/Write	R	R	R	RW	RW	RW	RW	RW	
Initial Value	0	0	0	0	0	0	0	0	

- **Bit 4 – AFC0.PM: Promiscuous Mode**

This sub-register controls the promiscuous mode.

Table 6-138. PM

Sub-register	Value	Description
PM	0x0	Promiscuous mode is disabled
	0x1	Promiscuous mode is enabled

- **Bit 3 – AFC0.AFEN3: Address Filter Enable 3**

If this sub-register is set to 1, the global filter, the extended filter and the 3rd level filter unit #3 are enabled.

- **Bit 2 – AFC0.AFEN2: Address Filter Enable 2**

If this sub-register is set to 1, the global filter, the extended filter and the 3rd level filter unit #2 are enabled.

- **Bit 1 – AFC0.AFEN1: Address Filter Enable 1**

If this sub-register is set to 1, the global filter, the extended filter and the 3rd level filter unit #1 are enabled.

- **Bit 0 – AFC0.AFEN0: Address Filter Enable 0**

If this sub-register is set to 1, the global filter, the extended filter and the 3rd level filter unit #0 are enabled.

6.15.6.2 BBCn_AFC1 – Address Filter Configuration 1

This register configures the address filter.

Bit	7	6	5	4	3	2	1	0	
	MRFT3	MRFT2	MRFT1	MRFT0	PANC3	PANC2	PANC1	PANC0	BBCn_AFC1
Read/Write	RW	RW	RW	RW	RW	RW	RW	RW	
Initial Value	0	0	0	0	0	0	0	0	

- **Bit 7 – AFC1.MRFT3: Map Reserved Frame Types 3**

This sub-register controls the 3rd level filter unit 3. If this sub-register is set to 1, frames with reserved frame types (4, 5, 6 or 7) are handled like data frames. Otherwise, reserved frame types are discarded.

- **Bit 6 – AFC1.MRFT2: Map Reserved Frame Types 2**

This sub-register controls the 3rd level filter unit 2. If this sub-register is set to 1, frames with reserved frame types (4, 5, 6 or 7) are handled like data frames. Otherwise, reserved frame types are discarded.

- **Bit 5 – AFC1.MRFT1: Map Reserved Frame Types 1**

This sub-register controls the 3rd level filter unit 1. If this sub-register is set to 1, frames with reserved frame types (4, 5, 6 or 7) are handled like data frames. Otherwise, reserved frame types are discarded.

- **Bit 4 – AFC1.MRFT0: Map Reserved Frame Types 0**

This sub-register controls the 3rd level filter unit 0. If this sub-register is set to 1, frames with reserved frame types (4, 5, 6 or 7) are handled like data frames. Otherwise, reserved frame types are discarded.

- **Bit 3 – AFC1.PANC3: PAN Coordinator 3**

If this sub-register is set to 1, the 3rd level filter unit 3 is configured as a PAN coordinator.

- **Bit 2 – AFC1.PANC2: PAN Coordinator 2**

If this sub-register is set to 1, the 3rd level filter unit 2 is configured as a PAN coordinator.

- **Bit 1 – AFC1.PANC1: PAN Coordinator 1**

If this sub-register is set to 1, the 3rd level filter unit 1 is configured as a PAN coordinator.

- **Bit 0 – AFC1.PANC0: PAN Coordinator 0**

If this sub-register is set to 1, the 3rd level filter unit 0 is configured as a PAN coordinator.

6.15.6.3 BBCn_AFFTM – Address Filter Frame Type Mask

This register controls the global frame type filter. A bit which is 0 in AFFTM refuses frames with respective frame types (i.e. if bit 2 is clear, all frames with frame type 2 are refused). Otherwise a bit is set, frames with respective frame types are processed by further filter stages. The reset value is set to 0x0B. Thus, the address filter does not refuse frames with frame types 0, 1 and 3 (beacon, data, command frames) by default.

Bit	7	6	5	4	3	2	1	0	
	AFFTM								BBCn_AFFTM
Read/Write	RW	RW	RW	RW	RW	RW	RW	RW	
Initial Value	0	0	0	0	1	0	1	1	

- **Bit 7:0 – AFFTM.AFFTM: Address Filter Frame Type Mask**

6.15.6.4 BBCn_AFFVM – Address Filter Frame Version Mask

Bit	7	6	5	4	3	2	1	0	
	–	–	–	–	AFFVM				BBCn_AFFVM
Read/Write	R	R	R	R	RW	RW	RW	RW	
Initial Value	0	0	0	0	0	0	1	1	

- **Bit 3:0 – AFFVM.AFFVM: Address Filter Frame Version Mask**

This register controls the global frame version filter. A bit which is 0 in AFFVM refuses frames with respective frame versions (i.e. if bit 1 is 0, all frames with frame version 1 are refused). Otherwise a bit is set to 1, frames with respective frame versions are processed by further filter stages. The reset value 3 does not refuse frames with frame version 0 and 1.

6.15.6.5 BBCn_AFS – Address Filter Status

This register provides the status of the address filter.

Bit	7	6	5	4	3	2	1	0	
	–	–	–	EM	AM3	AM2	AM1	AM0	BBCn_AFS
Read/Write	R	R	R	R	R	R	R	R	
Initial Value	0	0	0	0	0	0	0	0	

- **Bit 4 – AFS.EM: Extended Match**

This sub-register is set to 1 if the extended filter detects an extended match. This bit is automatically cleared with a frame start event (IRQ RXFS).

- **Bit 3 – AFS.AM3: Address Match Filter 3**

This sub-register is set to 1 if the 3rd level filter unit #3 detects an address match. This bit is automatically cleared with a frame start event (IRQ RXFS).

- **Bit 2 – AFS.AM2: Address Match Filter 2**

This sub-register is set to 1 if the 3rd level filter unit #2 detects an address match. This bit is automatically cleared with a frame start event (IRQ RXFS).

- **Bit 1 – AFS.AM1: Address Match Filter 1**

This sub-register is set to 1 if the 3rd level filter unit #1 detects an address match. This bit is automatically cleared with a frame start event (IRQ RXFS).

- **Bit 0 – AFS.AM0: Address Match Filter 0**

This sub-register is set to 1 if the 3rd level filter unit #0 detects an address match. This bit is automatically cleared with a frame start event (IRQ RXFS).

6.15.6.6 BBCn_MACEA0 – MAC Extended Address Byte 0

This register contains the MAC extended address bits 7 to 0.

Bit	7	6	5	4	3	2	1	0	
	MACEA0								BBCn_MACEA0
Read/Write	RW	RW	RW	RW	RW	RW	RW	RW	
Initial Value	0	0	0	0	0	0	0	0	

- **Bit 7:0 – MACEA0.MACEA0: MAC Extended Address Byte 0**

6.15.6.7 BBCn_MACEA1 – MAC Extended Address Byte 1

This register contains the MAC extended address bits 15 to 8.

Bit	7	6	5	4	3	2	1	0	
	MACEA1								BBCn_MACEA1
Read/Write	RW	RW	RW	RW	RW	RW	RW	RW	
Initial Value	0	0	0	0	0	0	0	0	

- **Bit 7:0 – MACEA1.MACEA1: MAC Extended Address Byte 1**

6.15.6.8 BBCn_MACEA2 – MAC Extended Address Byte 2

This register contains the MAC extended address bits 23 to 16.

Bit	7	6	5	4	3	2	1	0	
	MACEA2								BBCn_MACEA2
Read/Write	RW	RW	RW	RW	RW	RW	RW	RW	
Initial Value	0	0	0	0	0	0	0	0	

- **Bit 7:0 – MACEA2.MACEA2: MAC Extended Address Byte 2**

6.15.6.9 BBCn_MACEA3 – MAC Extended Address Byte 3

This register contains the MAC extended address bits 31 to 17.

Bit	7	6	5	4	3	2	1	0	
	MACEA3								BBCn_MACEA3
Read/Write	RW	RW	RW	RW	RW	RW	RW	RW	
Initial Value	0	0	0	0	0	0	0	0	

- **Bit 7:0 – MACEA3.MACEA3: MAC Extended Address Byte 3**

6.15.6.10 BBCn_MACEA4 – MAC Extended Address Byte 4

This register contains the MAC extended address bits 39 to 32.

Bit	7	6	5	4	3	2	1	0	
	MACEA4								BBCn_MACEA4
Read/Write	RW	RW	RW	RW	RW	RW	RW	RW	
Initial Value	0	0	0	0	0	0	0	0	

- **Bit 7:0 – MACEA4.MACEA4: MAC Extended Address Byte 4**

6.15.6.11 BBCn_MACEA5 – MAC Extended Address Byte 5

This register contains the MAC extended address bits 47 to 40.

Bit	7	6	5	4	3	2	1	0	
	MACEA5								BBCn_MACEA5
Read/Write	RW	RW	RW	RW	RW	RW	RW	RW	
Initial Value	0	0	0	0	0	0	0	0	

- **Bit 7:0 – MACEA5.MACEA5: MAC Extended Address Byte 5**

6.15.6.12 BBCn_MACEA6 – MAC Extended Address Byte 6

This register contains the MAC extended address bits 55 to 48.

Bit	7	6	5	4	3	2	1	0	
	MACEA6								BBCn_MACEA6
Read/Write	RW	RW	RW	RW	RW	RW	RW	RW	
Initial Value	0	0	0	0	0	0	0	0	

- **Bit 7:0 – MACEA6.MACEA6: MAC Extended Address Byte 6**

6.15.6.13 BBCn_MACEA7 – MAC Extended Address Byte 7

This register contains the MAC extended address bits 63 to 56.

Bit	7	6	5	4	3	2	1	0	
	MACEA7								BBCn_MACEA7
Read/Write	RW	RW	RW	RW	RW	RW	RW	RW	
Initial Value	0	0	0	0	0	0	0	0	

- **Bit 7:0 – MACEA7.MACEA7: MAC Extended Address Byte 7**

6.15.6.14 BBCn_MACPID0F0 – MAC Pan ID Byte 0 Filter 0

This register contains the MAC Pan ID bits 7 to 0 for 3rd level filter unit 0.

Bit	7	6	5	4	3	2	1	0	
	MACPID0F0								BBCn_MACPID0F0
Read/Write	RW	RW	RW	RW	RW	RW	RW	RW	
Initial Value	1	1	1	1	1	1	1	1	

- **Bit 7:0 – MACPID0F0.MACPID0F0: MAC Pan ID Byte 0 Filter 0**

6.15.6.15 BBCn_MACPID1F0 – MAC Pan ID Byte 1 Filter 0

This register contains the MAC Pan ID bits 15 to 8 for 3rd level filter unit 0.

Bit	7	6	5	4	3	2	1	0	
	MACPID1F0								BBCn_MACPID1F0
Read/Write	RW	RW	RW	RW	RW	RW	RW	RW	
Initial Value	1	1	1	1	1	1	1	1	

- **Bit 7:0 – MACPID1F0.MACPID1F0: MAC Pan ID Byte 1 Filter 0**

6.15.6.16 BBCn_MACSHA0F0 – MAC Short Address Byte 0 Filter 0

This register contains the MAC short address bits 7 to 0 for 3rd level filter unit 0.

Bit	7	6	5	4	3	2	1	0	
	MACSHA0F0								BBCn_MACSHA0F0
Read/Write	RW	RW	RW	RW	RW	RW	RW	RW	
Initial Value	1	1	1	1	1	1	1	1	

- **Bit 7:0 – MACSHA0F0.MACSHA0F0: MAC Short Address Byte 0 Filter 0**

6.15.6.17 BBCn_MACSHA1F0 – MAC Short Address Byte 1 Filter 0

This register contains the MAC short address bits 15 to 8 for 3rd level filter unit 0.

Bit	7	6	5	4	3	2	1	0	
	MACSHA1F0								BBCn_MACSHA1F0
Read/Write	RW	RW	RW	RW	RW	RW	RW	RW	
Initial Value	1	1	1	1	1	1	1	1	

- **Bit 7:0 – MACSHA1F0.MACSHA1F0: MAC Short Address Byte 1 Filter 0**

6.15.6.18 BBCn_MACPID0F1 – MAC Pan ID Byte 0 Filter 1

This register contains the MAC Pan ID bits 7 to 0 for 3rd level filter unit 1.

Bit	7	6	5	4	3	2	1	0	
	MACPID0F1								BBCn_MACPID0F1
Read/Write	RW	RW	RW	RW	RW	RW	RW	RW	
Initial Value	1	1	1	1	1	1	1	1	

- **Bit 7:0 – MACPID0F1.MACPID0F1: MAC Pan ID Byte 0 Filter 1**

6.15.6.19 BBCn_MACPID1F1 – MAC Pan ID Byte 1 Filter 1

This register contains the MAC Pan ID bits 15 to 8 for 3rd level filter unit 1.

Bit	7	6	5	4	3	2	1	0	
	MACPID1F1								BBCn_MACPID1F1
Read/Write	RW	RW	RW	RW	RW	RW	RW	RW	
Initial Value	1	1	1	1	1	1	1	1	

- **Bit 7:0 – MACPID1F1.MACPID1F1: MAC Pan ID Byte 1 Filter 1**

6.15.6.20 BBCn_MACSHA0F1 – MAC Short Address Byte 0 Filter 1

This register contains the MAC short address bits 7 to 0 for 3rd level filter unit 1.

Bit	7	6	5	4	3	2	1	0	
	MACSHA0F1								BBCn_MACSHA0F1
Read/Write	RW	RW	RW	RW	RW	RW	RW	RW	
Initial Value	1	1	1	1	1	1	1	1	

- **Bit 7:0 – MACSHA0F1.MACSHA0F1: MAC Short Address Byte 0 Filter 1**

6.15.6.21 BBCn_MACSHA1F1 – MAC Short Address Byte 1 Filter 1

This register contains the MAC short address bits 15 to 8 for 3rd level filter unit 1.

Bit	7	6	5	4	3	2	1	0	
	MACSHA1F1								BBCn_MACSHA1F1
Read/Write	RW	RW	RW	RW	RW	RW	RW	RW	
Initial Value	1	1	1	1	1	1	1	1	

- **Bit 7:0 – MACSHA1F1.MACSHA1F1: MAC Short Address Byte 1 Filter 1**

6.15.6.22 BBCn_MACPID0F2 – MAC Pan ID Byte 0 Filter 2

This register contains the MAC Pan ID bits 7 to 0 for 3rd level filter unit 2.

Bit	7	6	5	4	3	2	1	0	
	MACPID0F2								BBCn_MACPID0F2
Read/Write	RW	RW	RW	RW	RW	RW	RW	RW	
Initial Value	1	1	1	1	1	1	1	1	

- **Bit 7:0 – MACPID0F2.MACPID0F2: MAC Pan ID Byte 0 Filter 2**

6.15.6.23 BBCn_MACPID1F2 – MAC Pan ID Byte 1 Filter 2

This register contains the MAC Pan ID bits 15 to 8 for 3rd level filter unit 2.

Bit	7	6	5	4	3	2	1	0	
	MACPID1F2								BBCn_MACPID1F2
Read/Write	RW	RW	RW	RW	RW	RW	RW	RW	
Initial Value	1	1	1	1	1	1	1	1	

- **Bit 7:0 – MACPID1F2.MACPID1F2: MAC Pan ID Byte 1 Filter 2**

6.15.6.24 BBCn_MACSHA0F2 – MAC Short Address byte 0 Filter 2

This register contains the MAC short address bits 7 to 0 for 3rd level filter unit 2.

Bit	7	6	5	4	3	2	1	0	
	MACSHA0F2								BBCn_MACSHA0F2
Read/Write	RW	RW	RW	RW	RW	RW	RW	RW	
Initial Value	1	1	1	1	1	1	1	1	

- **Bit 7:0 – MACSHA0F2.MACSHA0F2: MAC Short Address byte 0 Filter 2**

6.15.6.25 BBCn_MACSHA1F2 – MAC Short Address byte 1 Filter 2

This register contains the MAC short address bits 15 to 8 for 3rd level filter unit 2.

Bit	7	6	5	4	3	2	1	0	
	MACSHA1F2								BBCn_MACSHA1F2
Read/Write	RW	RW	RW	RW	RW	RW	RW	RW	
Initial Value	1	1	1	1	1	1	1	1	

- **Bit 7:0 – MACSHA1F2.MACSHA1F2: MAC Short Address byte 1 Filter 2**

6.15.6.26 BBCn_MACPID0F3 – MAC Pan ID Byte 0 Filter 3

This register contains the MAC Pan ID bits 7 to 0 for 3rd level filter unit 3.

Bit	7	6	5	4	3	2	1	0	
	MACPID0F3								BBCn_MACPID0F3
Read/Write	RW	RW	RW	RW	RW	RW	RW	RW	
Initial Value	1	1	1	1	1	1	1	1	

- **Bit 7:0 – MACPID0F3.MACPID0F3: MAC Pan ID Byte 0 Filter 3**

6.15.6.27 BBCn_MACPID1F3 – MAC Pan ID Byte 1 Filter 3

This register contains the MAC Pan ID bits 15 to 8 for 3rd level filter unit 3.

Bit	7	6	5	4	3	2	1	0	
	MACPID1F3								BBCn_MACPID1F3
Read/Write	RW	RW	RW	RW	RW	RW	RW	RW	
Initial Value	1	1	1	1	1	1	1	1	

- **Bit 7:0 – MACPID1F3.MACPID1F3: MAC Pan ID Byte 1 Filter 3**

6.15.6.28 BBCn_MACSHA0F3 – MAC Short Address byte 0 Filter 3

This register contains the MAC short address bits 7 to 0 for 3rd level filter unit 3.

Bit	7	6	5	4	3	2	1	0	
	MACSHA0F3								BBCn_MACSHA0F3
Read/Write	RW	RW	RW	RW	RW	RW	RW	RW	
Initial Value	1	1	1	1	1	1	1	1	

- **Bit 7:0 – MACSHA0F3.MACSHA0F3: MAC Short Address byte 0 Filter 3**

6.15.6.29 BBCn_MACSHA1F3 – MAC Short Address byte 1 Filter 3

This register contains the MAC short address bits 15 to 8 for 3rd level filter unit 3.

Bit	7	6	5	4	3	2	1	0	
	MACSHA1F3								BBCn_MACSHA1F3
Read/Write	RW	RW	RW	RW	RW	RW	RW	RW	
Initial Value	1	1	1	1	1	1	1	1	

- **Bit 7:0 – MACSHA1F3.MACSHA1F3: MAC Short Address byte 1 Filter 3**

6.15.6.30 BBCn_AMCS – Auto Mode Configuration and Status

This register contains configuration and status information for the auto modes.

Bit	7	6	5	4	3	2	1	0	
	AACKFT	AACKFA	AACKDR	AACKS	AACK	CCAED	CCATX	TX2RX	BBCn_AMCS
Read/Write	R	RW	RW	RW	RW	R	RW	RW	
Initial Value	0	0	0	0	0	0	0	0	

- **Bit 7 – AMCS.AACKFT: Auto Acknowledgement Frame Transmit**

If this bit has been set to 1, the AACK procedure has automatically transmitted an ACK frame. Otherwise no automatic ACK frame has been transmitted. This bit is updated with the IRQ RXFE if the AACK procedure is active.

Table 6-139. AACKFT

Sub-register	Value	Description
AACKFT	0x0	No ACK frame has been automatically transmitted,
	0x1	An ACK frame has been automatically transmitted.

- **Bit 6 – AMCS.AACKFA: Auto Acknowledgement FCS Adaption**

If this sub-register is set to 1, the FCS type of the automatically generated ACK frame is derived from the FCS type of the received frame. Otherwise, if this sub-register is 0, the FCS type of the ACK frame is derived from the setting in sub-register PC.FCST.

Table 6-140. AACKFA

Sub-register	Value	Description
AACKFA	0x0	FCS type of AACK derived from setting FCST
	0x1	FCS type of AACK derived from previous received frame

- **Bit 5 – AMCS.AACKDR: Auto Acknowledgement Data Rate**

If this bit is set to 1, the automatic acknowledgement is sent using the modulation settings of the received frame. If this bit is set to 0, the automatic acknowledgement is transmitted using the current PHY settings.

Table 6-141. AACKDR

Sub-register	Value	Description
AACKDR	0x0	Automatic ACK data rate derived from current PHY settings
	0x1	Automatic ACK data rate equals received frame

- **Bit 4 – AMCS.AACKS: Auto Acknowledgement Source**

If this bit is set to 0, the automatic acknowledgement is sent by the transceiver respective to IEEE Std 802.15.4-2006. The transmit frame buffer is not changed. If this bit is set to 1, the automatic acknowledgement is transmitted from the transmit frame buffer.

Table 6-142. AACKS

Sub-register	Value	Description
AACKS	0x0	Automatic ACK generated by transceiver
	0x1	Automatic ACK transmit from transmit frame buffer

- **Bit 3 – AMCS.AACK: Auto Acknowledgement**

If this bit is set to 1, the automatic acknowledgement feature is enabled. This bit is only applicable if the address filter is enabled.

Table 6-143. AACK

Sub-register	Value	Description
AACK	0x0	Automatic Acknowledge disabled
	0x1	Automatic Acknowledge enabled

- **Bit 2 – AMCS.CCAED: CCA Energy Detection Result**

This bit indicates the status of the result of the last CCA measurement. It is updated with the finished ED measurement, while the procedure CCATX is active.

Table 6-144. CCAED

Sub-register	Name	Value	Description
CCAED	BB_CH_CLEAR	0x0	Channel is clear
	BB_CH_BUSY	0x1	Channel is busy

- **Bit 1 – AMCS.CCATX: CCA Measurement and automatic Transmit**

If this bit is set to 1, the auto mode feature CCA with automatic transmit is enabled.

Table 6-145. CCATX

Sub-register	Value	Description
CCATX	0x0	CCATX procedure is disabled
	0x1	CCATX procedure is enabled

- **Bit 0 – AMCS.TX2RX: Transmit and Switch to Receive**

If this bit is set to 1, the transceiver switches automatically to state RX if a transmit is completed.

Table 6-146. TX2RX

Sub-register	Value	Description
TX2RX	0x0	TX2RX procedure disabled
	0x1	TX2RX procedure enabled

6.15.6.31 BBCn_AMEDT – Auto Mode Energy Detection Threshold

This register contains the energy detection threshold for a CCA measurement. It is stored as a signed number in a range of [-127..128]. An ED value above the threshold indicates a busy channel, otherwise the channel is assessed as clear.

Bit	7	6	5	4	3	2	1	0	
	AMEDT								BBCn_AMEDT
Read/Write	RW	RW	RW	RW	RW	RW	RW	RW	
Initial Value	1	0	1	1	0	1	0	1	

- **Bit 7:0 – AMEDT.AMEDT: Auto Mode Energy Detection Threshold**

6.15.6.32 BBCn_AMAACKPD – Auto Mode Automatic ACK Pending Data

This register configures the behaviour of the pending data bit of an automatic acknowledgement frame.

Bit	7	6	5	4	3	2	1	0	
	–	–	–	–	PD3	PD2	PD1	PD0	BBCn_AMAACKPD
Read/Write	R	R	R	R	RW	RW	RW	RW	
Initial Value	0	0	0	0	0	0	0	0	

- **Bit 3 – AMAACKPD.PD3: Pending Data 3**

An automatic acknowledgement frame (transmitted by hardware) contains a set pending data subfield if the following conditions are met:

- Bit PD3 is set to 1 and
- The 3rd level filter unit #3 has detected a MAC command data request frame prior.

- **Bit 2 – AMAACKPD.PD2: Pending Data 2**

An automatic acknowledgement frame (transmitted by hardware) contains a set pending data subfield if the following conditions are met:

- Bit PD2 is set to 1 and
- The 3rd level filter unit #2 has detected a MAC command data request frame prior.

- **Bit 1 – AMAACKPD.PD1: Pending Data 1**

An automatic acknowledgement frame (transmitted by hardware) contains a set pending data subfield if the following conditions are met:

- Bit PD1 is set to 1 and
- The 3rd level filter unit #1 has detected a MAC command data request frame prior.

- **Bit 0 – AMAACKPD.PD0: Pending Data 0**

An automatic acknowledgement frame (transmitted by hardware) contains a set of pending data subfield if the following conditions are met:

- Bit PD0 is set to 1 and
- The 3rd level filter unit #0 has detected a MAC command data request frame prior.

6.15.6.33 BBCn_AMAACKTL – Auto Mode Automatic ACK Time

This register configures the time between IRQ RXFE and an automatic acknowledgement frame start in us. It contains the low byte.

Bit	7	6	5	4	3	2	1	0	
	AMAACKTL								BBCn_AMAACKTL
Read/Write	RW	RW	RW	RW	RW	RW	RW	RW	
Initial Value	1	1	0	0	0	0	0	0	

- **Bit 7:0 – AMAACKTL.AMAACKTL: Auto Mode Automatic ACK Time**

6.15.6.34 BBCn_AMAACKTH – Auto Mode Automatic ACK Time

This register configures the time between IRQ RXFE and an automatic acknowledgement frame start in us. It contains the three most significant bits.

Bit	7	6	5	4	3	2	1	0	
	-	-	-	-	-	AMAACKTH			BBCn_AMAACKTH
Read/Write	R	R	R	R	R	RW	RW	RW	
Initial Value	0	0	0	0	0	0	0	0	

- **Bit 2:0 – AMAACKTH.AMAACKTH: Auto Mode Automatic ACK Time**

6.16 Random Number Generator

The AT86RF215 has a true random number generator implemented. The unit generates random values by observation of noise. A random value contains eight bits and is available in register [RFn_RNDV](#). It is updated with a period of t_{RND} .

The random values in [RFn_RNDV](#) are valid only if the following conditions are met:

- The AT86RF215 operates in state RX and the PLL has locked.
- The analog frontend (see "[Receiver Analog Frontend](#)" on page 52) of the radio must be configured to the widest filter bandwidth ([RXBWC.BW](#) = 0x0B).
- The bit [RXBWC.IFS](#) must be set to 1
- After entering state RX, the first two random values are invalid and are read from register [RFn_RNDV](#).

To prevent the baseband core from unwanted synchronization and frame reception during random number value reading, it is recommended switching off the baseband core by bit [PC.BBEN](#).

6.16.1 Register Description

6.16.1.1 RFn_RNDV – Random Value

The register contains an eight bit random value.

Bit	7	6	5	4	3	2	1	0	
	RNDV								RFn_RNDV
Read/Write	R	R	R	R	R	R	R	R	
Initial Value	0	0	0	0	0	0	0	0	

6.17 Phase Measurement Unit

6.17.1 Description

The Phase Measurement Unit (PMU) allows register based monitoring of the phase and several other signal parameters of the output of the Receiver Digital Frontend (RX_DFE) with a constant PMU period of 8 us.

Given the complex RX_DFE output signal with components I_DATA and Q_DATA (see Figure 6-6 on page 53), denoted as $\underline{x} = x_i + i \cdot x_q$, Table 6-147 describes the PMU result options. Column BBCn_PMUC reflects the required bit-combination for control register BBCn_PMUC (MSB left; 'x' mark don't care bits). A single configuration provides synchronous result values in all output registers BBCn_PMUVAL, BBCn_PMUQF, BBCn_PMUI and BBCn_PMUQ.

Table 6-147. PMU Signal Monitoring Options

Description	Expression	Output Register	BBCn_PMUC
Sampled Phase	$\text{round}(\arg(\underline{x}) / \pi * 128)$	BBCn_PMUVAL	8'b0xxxxx01
Average Phase	$\text{round}(\arg(\text{mean}(\underline{x})) / \pi * 128)$	BBCn_PMUVAL	8'b0xxxxx11
Sampled Real Part	$\text{Re}\{\underline{x}\}$, rounded to 8 bit	BBCn_PMUI	8'b01xxxx01
Sampled Imaginary Part	$\text{Im}\{\underline{x}\}$, rounded to 8 bit	BBCn_PMUQ	8'b01xxxx01
Average Real Part	$\text{mean}(\text{Re}\{\underline{x}\})$, rounded to 8 bit	BBCn_PMUI	8'b01xxxx11
Average Imaginary Part	$\text{mean}(\text{Im}\{\underline{x}\})$, rounded to 8 bit	BBCn_PMUQ	8'b01xxxx11
Sampled Normalized Real Part	$\text{round}(\text{Re}\{\exp(i \cdot \arg(\underline{x}))\} * 63)$	BBCn_PMUI	8'b00xxxx01
Sampled Normalized Imaginary Part	$\text{round}(\text{Re}\{\exp(i \cdot \arg(\underline{x}))\} * 63)$	BBCn_PMUQ	8'b00xxxx01
Average Normalized Real Part	$\text{round}(\text{Re}\{\exp(i \cdot \arg(\text{mean}(\underline{x})))\} * 63)$	BBCn_PMUI	8'b00xxxx11
Average Normalized Imaginary Part	$\text{round}(\text{Re}\{\exp(i \cdot \arg(\text{mean}(\underline{x})))\} * 63)$	BBCn_PMUQ	8'b00xxxx11
Phase Stability (Quality Factor)	inverse mean deviation of $\arg(\underline{x})$ over PMU period	BBCn_PMUQF	8'b0x0xxxx1
Frequency Offset (Phase Drift)	$\text{FO}[\text{Hz}] = 500 \text{ kHz} * \text{BBCn_PMUQF} / 256$	BBCn_PMUQF	8'b0x1xxxx1, fs = 1MHz

While 'Sampled' parameters are single captures of \underline{x} at the end of the PMU period, averaging combines all samples within.

Note that for frequency offset measurement the RX_DFE sample rate shall be configured to 1 MHz.

Depending on the application it might be necessary to evaluate these signal parameters strictly synchronous to the PMU period. Sub register PMUC.SYNC helps to verify this synchronization. It reflects a 1MHz counter running from 0 to 7 during the 8 us PMU period. All output registers are updated at the transition from 7 to 0.

6.17.2 Register

6.17.2.1 BBCn_PMUC – PMU Control

This is the main control register for PMU functionality.

Bit	7	6	5	4	3	2	1	0	
	CCFTS	IQSEL	FED	SYNC			AVG	EN	BBCn_PMUC
Read/Write	RW	RW	RW	R	R	R	RW	RW	
Initial Value	0	0	0	1	1	1	1	0	

- **Bit 7 – PMUC.CCFTS: Channel Center Frequency Time Synchronization**

Channel Center Frequency Time Synchronization allows to restrict channel center frequency changes to a raster equal to the PMU period.

Table 6-148. CCFTS

Sub-register	Value	Description
CCFTS	<u>0x0</u>	Changes on the channel center frequency are directly applied according to register CNM.
	0x1	Changes on the channel center frequency, initiated by register CNM, are time-aligned to the PMU period of 8 us.

- **Bit 6 – PMUC.IQSEL: IQ Output Selector**

IQSEL selects, if $(PMUI+i*PMUQ)$ returns the normalized or not normalized I/Q representation corresponding to PMUVAL.

Table 6-149. IQSEL

Sub-register	Value	Description
IQSEL	<u>0x0</u>	Normalized I/Q: $(PMUI + i*PMUQ) \sim 63 * \exp(i * \pi * PMUVAL / 128)$
	0x1	I/Q without normalization: $\arg(PMUUI + i*PMUQ) = \pi * PMUVAL / 128$.

- **Bit 5 – PMUC.FED: Frequency Error Detection**

If enabled, the PMUQF returns a frequency error estimate instead of the PMU quality factor.

Table 6-150. FED

Sub-register	Value	Description
FED	<u>0x0</u>	Frequency error detection is disabled. PMUQF acts as an unsigned quality factor value [0..255].
	0x1	Frequency error detection is enabled. For a sample rate of 1 MHz (RXDFE_SR==4) the measured frequency offset calculates to $FO[Hz] = 1MHz/2 * PMUQF/256$, where PMUQF is interpreted as a signed 2th-complement value [-128..127].

- **Bit 4:2 – PMUC.SYNC: PMU Synchronisation**

This subfield reflects a 1MHz counter running from 0 to 7 during the 8us PMU period and is dedicated for software synchronisation.

- **Bit 1 – PMUC.AVG: I/Q Averaging Enable**

If averaging is enabled, the PMU computes a phase value, from the averaged receiver digital frontend I/Q output. The averaging period is equal to the PMU period (8us). If averaging is disabled, the SNR of a PMU phase value depends on the frontend filter configuration.

Table 6-151. AVG

Sub-register	Value	Description
AVG	0x0	I/Q sampling at end of PMU period
	0x1	I/Q averaging over PMU period

- **Bit 0 – PMUC.EN: PMU Enable**

If enabled, the phase measurement unit (PMU) periodically measures phase and other signal parameters based on the receiver digital frontend I/Q output.

Table 6-152. EN

Sub-register	Value	Description
EN	0x0	PMU disabled
	0x1	PMU enabled

6.17.2.2 BBCn_PMUVAL – PMU Phase Value

The PMU phase value is an 8-bit value, covering angles 0 to 2π , in 256 steps. A value of zero equals 0 degrees, a value of 255 equals $360/256 \times 255$ degrees.

Bit	7	6	5	4	3	2	1	0	
	PMUVAL								BBCn_PMUVAL
Read/Write	R	R	R	R	R	R	R	R	
Initial Value	0	0	0	0	0	0	0	0	

- **Bit 7:0 – PMUVAL.PMUVAL: PMU Phase Value**

6.17.2.3 BBCn_PMUQF – PMU Quality Factor

If PMUC_FED=0, PMUQF represents the PMU quality factor as an 8-bit value related to the average change of phase drift during the PMU measurement interval. A value of 255 indicates best quality. If PMUC_FED=1, PMUQF represents a 2th-complement frequency offset measure.

Bit	7	6	5	4	3	2	1	0	
	PMUQF								BBCn_PMUQF
Read/Write	R	R	R	R	R	R	R	R	
Initial Value	0	0	0	0	0	0	0	0	

- **Bit 7:0 – PMUQF.PMUQF: PMU Quality Factor**

6.17.2.4 BBCn_PMUI – PMU I/Q value, real part.

Real part of the PMU measurement value, 2th-complement (signed)

Bit	7	6	5	4	3	2	1	0	
	PMUI								BBCn_PMUI
Read/Write	R	R	R	R	R	R	R	R	
Initial Value	0	0	0	0	0	0	0	0	

- **Bit 7:0 – PMUI.PMUI: PMU I/Q value, real part, 2th-complement (signed)**

6.17.2.5 BBCn_PMUQ – PMU I/Q value, imaginary part

Imaginary part of the PMU measurement value, 2th-complement (signed)

Bit	7	6	5	4	3	2	1	0	
	PMUQ								BBCn_PMUQ
Read/Write	R	R	R	R	R	R	R	R	
Initial Value	0	0	0	0	0	0	0	0	

- **Bit 7:0 – PMUQ.PMUQ: PMU I/Q value, imaginary part, 2th-complement (signed)**

6.18 Timestamp Counter

6.18.1 Overview

Each baseband core contains a Timestamp Counter module with a 32-bit counter. The module can capture different timestamp information of received or transmitted frames or it operates as a free running counter.

The registers `BBCn_CNT0`, `BBCn_CNT1`, `BBCn_CNT2`, `BBCn_CNT3` are concatenated to the 32-bit counter word CNT. The register `BBCn_CNT0` contains the least significant bits; `BBCn_CNT3` contains the most significant bits. To retrieve a consistent 32-bit CNT value, all four registers must be read by a SPI block read access (see section "Block Access Mode" on page 17) starting with the register `BBCn_CNT0`. Otherwise, it leads to an inconsistent value.

The counter offers several modes, see Table 6-153. The counter is enabled by setting the sub-register `CNTC.EN` to 1. If the sub-register is set to 0, the counter is stopped and reset to zero. The counter is reset to 0 automatically if either sub-register `CNTC.RSTRXS` or `CNTC.RSTTXS` is set to 1 and the respective event occurs.

If enabled, the counter is running in all transceiver states, except states RESET, SLEEP and DEEP_SLEEP. It is clocked with a clock rate of 32MHz. If the counter reaches its maximum value of 0xFFFFFFFF, the counter overflows to zero with the next clock cycle.

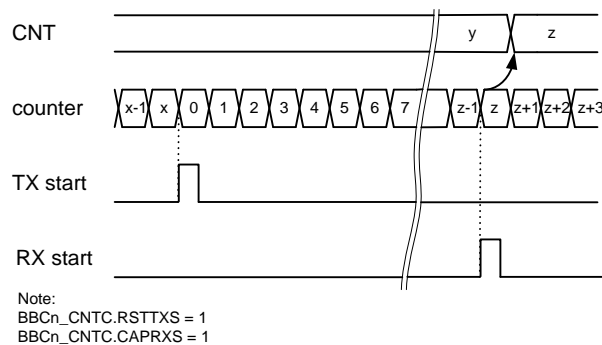
Table 6-153. Counter Modes

Counter Mode	Configuration	Comment
Off	<code>CNTC.EN = 0</code>	The counter is reset to zero.
Free running	<code>CNTC.CAPRXS = 0</code> and <code>CNTC.CAPTXS = 0</code>	The timestamp counter module operates in free running counter mode. The CNT value reflects the current counter value.
Capture	<code>CNTC.CAPRXS = 1</code> or <code>CNTC.CAPTXS = 1</code>	The timestamp counter module operates in capture mode. The CNT value reflects the last captured value.

A typical application for the timestamp counter is visualized in Figure 6-37. It shows the reset of the counter value CNT with a TX start event and capture of the counter value with an RX frame start event.

Note, the TX start event occurs $t_{tx_bb_delay}$ after the command TX is written to the register `RFn_CMD` (see 6.1.4).

Figure 6-37. Application Example Timestamp Counter



6.18.2 Register Description

6.18.2.1 BBCn_CNTC – Counter Configuration

This register configures the timestamp counter.

Bit	7	6	5	4	3	2	1	0	
	–	–	–	CAPTXS	CAPRXS	RSTTXS	RSTRXS	EN	BBCn_CNTC
Read/Write	R	R	R	RW	RW	RW	RW	RW	
Initial Value	0	0	0	0	0	0	0	0	

- **Bit 4 – CNTC.CAPTXS: Capture of Counter Values at TX Start Event**

If this bit is set to 1, the counter value is captured to the registers BBCn_CNTn triggered by a TX start event. The TX start event complies to the rising edge of the enable of the power amplifier. If neither sub-register CAPRXS nor CAPTXS is set to 1, the registers BBCn_CNTn contain the current counter value.

Table 6-154. CAPTXS

Sub-register	Value	Description
CAPTXS	0x0	The counter value is not captured to registers BBCn_CNTn at TX start event.
	0x1	The counter value is captured to registers BBCn_CNTn at TX start event.

- **Bit 3 – CNTC.CAPRXS: Capture of Counter Values at RX Start Event**

If this bit is set to 1, the counter value is captured to the registers BBCn_CNTn triggered by an RX frame start event. The RX frame start event complies to the interrupt RXFS. If neither sub-register CAPRXS nor CAPTXS is set to 1, the registers BBCn_CNTn contain the current counter value.

Table 6-155. CAPRXS

Sub-register	Value	Description
CAPRXS	0x0	The counter value is not captured to registers BBCn_CNTn at RX frame start event.
	0x1	The counter value is captured to registers BBCn_CNTn at RX frame start event.

- **Bit 2 – CNTC.RSTTXS: Reset at TX Start Event**

If this bit is set to 1, the counter is reset at TX start event.

Table 6-156. RSTTXS

Sub-register	Value	Description
RSTTXS	0x0	The counter is not reset at TX start event
	0x1	The counter is reset at TX start event

- **Bit 1 – CNTC.RSTRXS: Reset at RX Start Event**

If this bit is set to 1, the counter is reset at RX frame start event. The RX frame start event complies to the interrupt RXFS.

Table 6-157. RSTRXS

Sub-register	Value	Description
RSTRXS	0x0	The counter is not reset at RX frame start event.
	0x1	The counter is reset at RX frame start event.

- **Bit 0 – CNTC.EN: Enable**

If this bit is set to 1, the counter is enabled.

Table 6-158. EN

Sub-register	Value	Description
EN	0x0	The counter is disabled and reset to zero.
	0x1	The counter is enabled and running.

6.18.2.2 BBCn_CNT0 – Counter Byte 0

This register contains bits 7 to 0 of the 32-bit timestamp counter. The counter has a resolution of 1/32MHz. For a consistent counter value the registers BBCn_CNT0...3 have to be read by a SPI block access.

Bit	7	6	5	4	3	2	1	0	
	CNT0								BBCn_CNT0
Read/Write	R	R	R	R	R	R	R	R	
Initial Value	0	0	0	0	0	0	0	0	

- **Bit 7:0 – CNT0.CNT0: Counter Byte 0**

6.18.2.3 BBCn_CNT1 – Counter Byte 1

This register contains bits 15 to 8 of the 32-bit timestamp counter. The counter has a resolution of 1/32MHz. For a consistent counter value the registers BBCn_CNT0...3 have to be read by a SPI block access.

Bit	7	6	5	4	3	2	1	0	
	CNT1								BBCn_CNT1
Read/Write	R	R	R	R	R	R	R	R	
Initial Value	0	0	0	0	0	0	0	0	

- **Bit 7:0 – CNT1.CNT1: Counter Byte 1**

6.18.2.4 BBCn_CNT2 – Counter Byte 2

This register contains bits 23 to 16 of the 32-bit timestamp counter. The counter has a resolution of 1/32MHz. For a consistent counter value the registers BBCn_CNT0...3 have to be read by a SPI block access.

Bit	7	6	5	4	3	2	1	0	
	CNT2								BBCn_CNT2
Read/Write	R	R	R	R	R	R	R	R	
Initial Value	0	0	0	0	0	0	0	0	

- **Bit 7:0 – CNT2.CNT2: Counter Byte 2**

6.18.2.5 BBCn_CNT3 – Counter Byte 3

This register contains bits 31 to 24 of the 32-bit timestamp counter. The counter has a resolution of 1/32MHz. For a consistent counter value the registers BBCn_CNT0...3 have to be read by a SPI block access.

Bit	7	6	5	4	3	2	1	0	
	CNT3								BBCn_CNT3
Read/Write	R	R	R	R	R	R	R	R	
Initial Value	0	0	0	0	0	0	0	0	

- **Bit 7:0 – CNT3.CNT3: Counter Byte 3**

7. Transceiver Usage

The following sections provide a reference about how to configure and control the AT86RF215 for transmit and receive procedures.

7.1 Transceiver Usage in Baseband Mode

In order to transmit or receive a frame using the AT86RF215 in baseband mode (see section ["Operating Modes" on page 30](#)), the radio and the baseband needs to be configured according to the following items:

- Channel configuration
PLL and channel configuration are described in section ["Frequency Synthesizer \(PLL\)" on page 62](#).
- Frontend configuration
The transmitter frontend is described in section ["Transmitter Frontend" on page 43](#) and the receiver frontend is described in section ["Receiver Frontend" on page 52](#).
- Energy measurement and AGC configuration
The energy measurement and AGC configuration are described in section ["Energy Measurement" on page 56](#) and ["Automatic Gain Control \(AGC\)" on page 53](#) respectively.
- Baseband configuration
The general baseband configuration is described in section ["Baseband Core" on page 81](#).
- State control
The state machine and the state control are described in section ["State Machine" on page 33](#).
- Interrupt handling
The interrupt handling is described in section ["Interrupts" on page 38](#).
- MAC support (only required if auto mode is used)
Automatic procedures support IEEE MAC-based operations and can reduced the MCU load. The embedded functionality of the MAC support is described in section ["IEEE MAC Support" on page 141](#).

7.2 Example: Transceiver Usage in Baseband Mode

This section describes the required steps for transmit and receive in the baseband mode exemplarily.

The transceiver can be operated with or without the support of the embedded MAC functionality. The operation without the embedded MAC functionality is called **basic** mode and using the support of the embedded MAC functionality is called **auto** mode.

The basic mode allows and requires controlling of every operation step of the transceiver and its timing.

The auto mode aims at MAC protocol operations with respect to [1]. It uses certain MAC protocol functionality from the baseband modules. By doing so, it can reduce time-critical frame handling such as acknowledgement transmission from the MCU. The features of the auto mode and their control are described in section "IEEE MAC Support" on page 141.

In section 7.2.1 the common configuration required for transmit and receive is described. Using the basic mode, the section "Example Transmit Procedure Using Basic Mode" on page 172 focuses on the transmit procedure while section "Example Receive Procedure Using Basic Mode" on page 173 focuses on the receive procedure. In a similar manner the transmit and receive procedures with the support of the auto mode are described in section "Example Transmit Procedure Using Auto Mode" on page 174 and respectively in section "Example Receive Procedure Using Auto Mode" on page 176.

The sub-1GHz transceiver is used in the following description. Therefore the generic prefixes have to be replaced by the actual ones. That means, "RFn" needs to be replaced by "RF09" and "BBCn" needs to be replaced by "BBC0".

The example configuration uses the 915MHz band (channel 3) and MR-OFDM Option 1 with MCS level 3 at 800kb/s. For further information see section "MR-OFDM PHY" on page 112. If a different modulation scheme such as O-QPSK is desired, the section "O-QPSK PHY" on page 120 provides corresponding information.

For the following steps it is assumed that the entire device has gone through a reset procedure, such as [Power-on Reset](#) or [Chip Reset](#), and has entered in the [State TRXOFF](#). During the power-on or reset procedure all registers are set to their default values.

In this walkthrough, the 2.4GHz transceiver is not used and therefore stays in state TRXOFF.

7.2.1 Common Configuration

Control and Data Interfaces

In this configuration walkthrough, the control and data interfaces ("[Control and Data Interfaces](#)" on page 13) are used with their default values.

Interrupt Configuration

For the example configuration the used interrupts (for baseband mode) are enabled by writing the value 0x1F to the registers [RFn_IRQM](#) and [BBCn_IRQM](#). For more information about interrupt configuration and handling see sections "[Interrupt Signalling](#)" on page 19 and "[Interrupts](#)" on page 38.

Channel Configuration

The channel center frequency f_0 for OFDM Option 1 operated in the 915MHz frequency band is 903.2MHz, see [3] Table 68d. The channel center frequency f_0 needs to be set in the registers [RFn_CCF0L](#) and [RFn_CCF0H](#). Due to the resolution (i.e. 25kHz) of both registers, the register setting CCF0 is calculated as following:

$$\text{CCF0} = f_0 / 25\text{kHz}; \text{ here: } \text{CCF0} = 903.2\text{MHz} / 25\text{kHz} = 0x8D20.$$

The low byte of CCF0 needs to be written to [RFn_CCF0L](#) while the high byte is written to [RFn_CCF0H](#).

The channel spacing for OFDM Option 1 operated in the 915MHz frequency band is 1.2MHz, see [3] Table 68d. The value 1.2MHz is encoded for the register [RFn_CS](#) to the value 0x30.

The presented procedure uses channel 3 in the IEEE-compliant channel scheme. Therefore the value 0x03 is written first to register `RFn_CNL` and then the value 0x00 is written to register `RFn_CNM` to trigger the channel setting update. The described configuration leads to the channel frequency of 906.8MHz.

Frontend Configuration

The transmitter and receiver frontends need to be configured to support OFDM Option 1. According to table "Recommended Transmitter Frontend Configuration" on page 113 and table "Recommended PHY Receiver and Digital Frontend Configuration" on page 115, the following sub-registers are set as follows:

- `TXDFE.SR` and `RXDFE.SR` are set to 3,
- `TXDFE.RCUT` and `RXDFE.RCUT` are set to 4,
- `TXCUTC.LPFCUT` is set to 0xB and
- `RXBWC.BW` is set to 9.

The sub-registers `TXCUTC.PARAMP` and `RXBWC.IFS` are kept to their default values of 0.

The maximum transmit power is limited for OFDM due to its signal characteristics, see section "MR-OFDM PHY" on page 112 and sub-register `PAC.TXPWR`. The sub-register `PAC.TXPWR` is set to 0x1C.

Energy Measurement and AGC Configuration

The reset values for the AGC configuration are already suitable for OFDM Option 1; the sub-register `AGCC.AVGS` and `AGCC.AGCI` are kept to 0 and the sub-register `AGCS.TGT` is kept to 3.

For CCA measurement the energy detection average duration is set to 960µs. This is equal to 8 symbols with a symbol duration of 120µs, see [3] Table 70 and section 18.2. This measurement duration is set by writing the value 0x7A to the register `RFn_EDD`.

Modulation Configuration

To make use of the MR-OFDM modulation, the PHY type needs to be configured; set the sub-register `PC.PT` to 2 (MR-OFDM). For this example all other sub-registers of register `BBCn_PC` are not changed. The OFDM modulation is configured to use option 1 and the data rate of 800kb/s. After reset, the OFDM option 1 is set as the default value in the sub-register `OFDMC.OPT`. The data rate is configured by the sub-register `OFDMPHRRX.MCS`. The desired data rate is achieved by setting sub-register `OFDMPHRTX.MCS` to 3.

Configuration Summary

The Table 7-1 shows all registers and their values that are changed (in comparison to their reset value) for this example configuration:

Table 7-1. Example Register Configuration

Register	Value	Register	Value
<code>RF09_IRQM</code> , 0x100	0x1F	<code>BBC0_IRQM</code> , 0x300	0x1F
<code>RF09_CS</code> , 0x104	0x30	<code>BBC0_PC</code> , 0x301	0x56
<code>RF09_CCF0L</code> , 0x105	0x20	<code>BBC0_OFDMPHRTX</code> , 0x30C	0x03
<code>RF09_CCF0H</code> , 0x106	0x8D		
<code>RF09_CNL</code> , 0x107, Note 1	0x03		
<code>RF09_RXBWC</code> , 0x109	0x09		
<code>RF09_RXDFE</code> , 0x10A	0x83		

Register	Value	Register	Value
RF09_EDD, 0x10F	0x7A		
RF09_RNDV, 0x111	Note 2		
RF09_TXCUTC, 0x112	0x0B		
RF09_TXDFE, 0x113	0x83		
RF09_PAC, 0x114	0x7C		

- Note:
- To trigger the channel setting update, the value 0x00 is written to register RFn_CNM even if this value is not changed.
 - This register content varies. For further information see section ["Random Number Generator" on page 161](#).

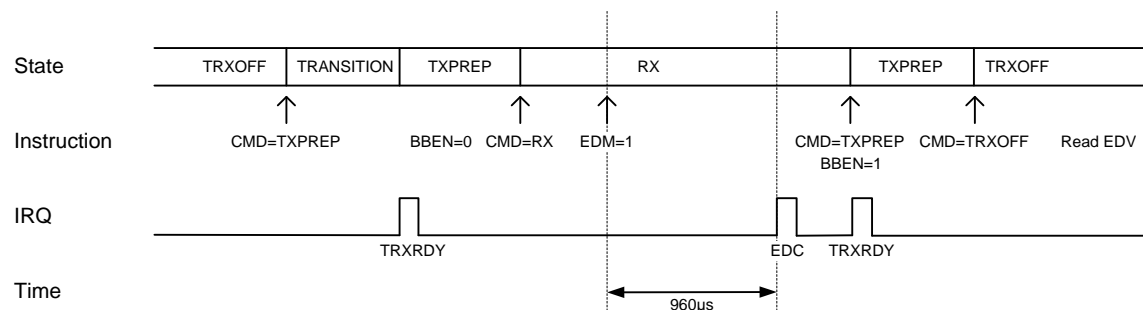
7.2.2 Example Transmit Procedure Using Basic Mode

Before a frame is transmitted, the channel is usually checked for any other ongoing transmission. This is done in the context of a CSMA procedure. This section omits the CSMA backoff procedure and directly measures the channel's energy to determine if the channel is idle or not. If a frame should be transmitted without any CSMA procedure, the following step can be skipped.

Clear Channel Assessment (CCA)

The CCA sequence uses the energy measurement feature, see section ["Energy Measurement" on page 56](#). [Figure 7-1](#) shows the procedure of the CCA sequence. Note, the figure does not represent the absolute time scale.

Figure 7-1. CCA Sequence



To avoid any frame decoding or detection during the energy measurement, the baseband is disabled by setting [PC.BBEN](#) to 0. From state TRXOFF that is reached after completion of the reset or power-on procedure, the command TXPREP is written to the register [RFn_CMD](#). The command TXPREP causes the radio to set the desired frequency and to power-on AVDD. Once this is completed, the state TXPREP is reached and the interrupt [IRQS.TRXRDY](#) is issued. From the state TXPREP the command RX is written to the register [RFn_CMD](#) to reach state RX. The energy measurement is triggered by setting [EDC.EDM](#) to 1.

The measurement completion is indicated by interrupt [IRQS.EDC](#). To reduce the power consumption and to prepare the next steps, the transceiver is set to the state TXPREP by writing the command TXPREP to the register [RFn_CMD](#). The baseband is enabled again by setting [PC.BBEN](#) to 1. Once the transceiver reaches the state TXPREP, the interrupt [IRQS.TRXRDY](#) is issued. To reach state TRXOFF, the command TRXOFF is written to the register [RFn_CMD](#).

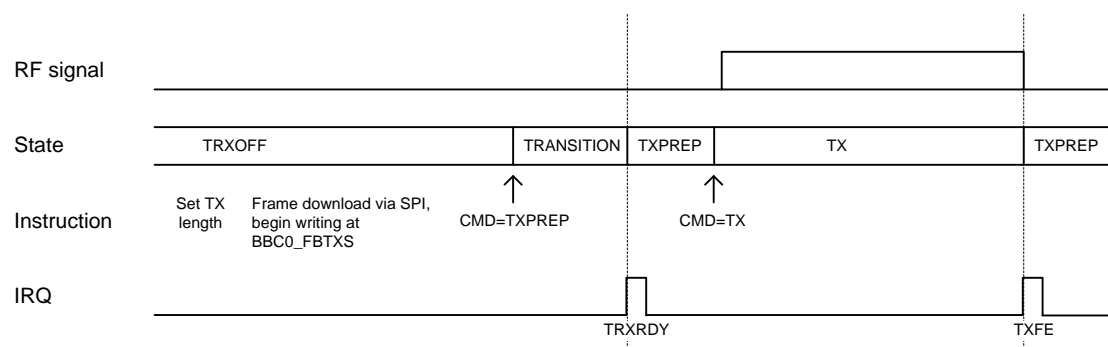
The result of the energy measurement is read from the register [RFn_EDV](#).

Frame Transmission

Before the frame can be transmitted, the frame length needs to be written to the registers `BBCn_TXFLL` and `BBCn_TXFLH`. The length value includes the FCS octets that are automatically appended to the frame contents as part of the PSDU. In this example the FCS type is kept to its default value, see [PC.FCST](#).

There are two options to handle the frame download and transmit start sequence. Either the transmission is triggered first and afterwards the frame content is provided to the TX frame buffer or the frame content is provided first and frame transmission is triggered afterwards. The first approach leads to an earlier transmission over-the-air, but may cause a buffer under-run issue. For further information see section "Frame Buffer" on page 132. In [Figure 7-2](#) the frame transmission sequence using the second approach is shown.

Figure 7-2. Frame Transmit Sequence



After the frame length has been set, the frame content is written to the TX frame buffer. It is not required to write the FCS octets to the frame buffer. The FCS octets are appended during transmission automatically if enabled by the sub-register `PC.TXAFCS`.

Frame transmission can only be triggered from the state TXPREP. The state TXPREP is reached from the state TRXOFF by writing the command TXPREP to the register `RFn_CMD`. Once the state TXPREP is reached, the interrupt TRXRDY is issued. From state TXPREP the transmission is triggered by writing the command TX to the register `RFn_CMD`.

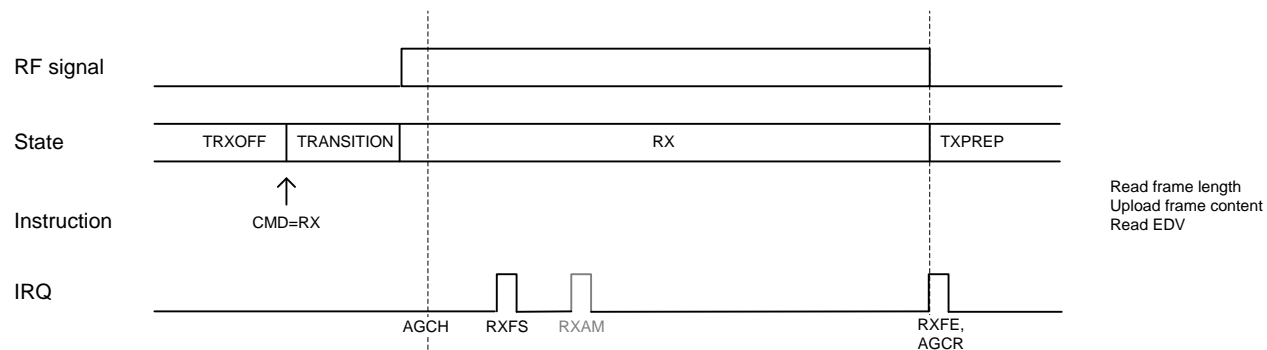
The baseband starts the transmission with PA up-ramping, sending the corresponding frame preamble and PHY header. After the transmission of the preamble and the PHY header, the TX frame buffer content is transmitted.

If the transmission of the frame content including FCS and PA down-ramping is completed, the interrupt `IRQS.TXFE` is issued and the state is automatically changed to TXPREP.

7.2.3 Example Receive Procedure Using Basic Mode

After the example configuration (see section [7.2 on page 170](#)) is completed, the transceiver is switched to state RX by writing the command RX to the register `RFn_CMD`. Now the receiver is able to receive a frame. The frame reception sequence is shown by [Figure 7-3](#).

Figure 7-3. Frame Receive Sequence



If the baseband core detects a preamble, it holds the AGC automatically. If a valid frame header is decoded by the OFDM unit, the interrupt **IRQS.RXFS** is issued.

(The interrupt **IRQS.RXAM** is triggered, if the frame filter is configured and enabled and the received frame matches the corresponding settings. For further information see section "Frame Filter" on page 141. The presented example configuration does not use the frame filter.)

The end of the frame reception is indicated by the interrupt **IRQS.RXFE**. It is issued, if the FCS validation is correct. With the interrupt **IRQS.RXFE**, the state is automatically changed from RX to TXPREP. If the frame is not received completely or the FCS validation is not correct, the transceiver stays in state RX to receive the next frame and the AGC is released.

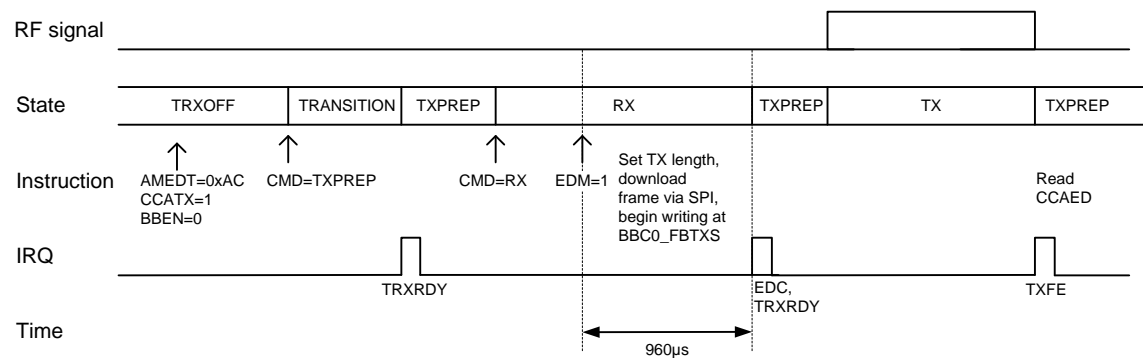
The length of the received frame can be read from the registers **BBCn_RXFLL** and **BBCn_RXFLH**. With the length information the frame can be read from the frame buffer starting at register **BBCn_FBRXS**. If the energy of the received frame is of interest, it can be read from the register **RFn_EDV**. The energy measurement has been automatically triggered by the baseband core with the interrupt **IRQS.RXFS**.

7.2.4 Example Transmit Procedure Using Auto Mode

The following paragraphs explain how to use the auto mode for implementing the transmit procedure described in section 7.2.2 on page 172. Using the automatic CCATX feature combines CCA and frame transmission, thus reducing microcontroller to transceiver interaction. The CCATX feature performs the energy measurement for the CCA procedure automatically, compares the measured value to the configured threshold and triggers transmission if the channel is idle. The details of the CCATX procedure are available in section "Clear Channel Assessment with Automatic Transmit (CCATX)" on page 148.

Figure 7-4 shows the CCA sequence followed by the frame transmission. Note, the figure does not represent the absolute time scale.

Figure 7-4. CCA and Frame Transmit Sequence using Auto Mode



In state TRXOFF that is reached after completion of the reset or power-on procedure, the transceiver gets configured as described in section "Common Configuration" on page 170. The power-on procedure and the common configuration is not shown in Figure 7-4.

In the same way as in the basic mode, the CCA duration and measurement mode are configured as described in section "Energy Measurement" on page 56. Besides that, the CCATX procedure requires to setup the energy threshold determining which energy level is assessed as idle or busy. The energy threshold value for the example (OFDM option 1, MCS 3) is -84dBm (see [1]). This value is configured by writing the value 0xAC to register BBCn_AMEDT.

The automatic CCATX procedure is enabled by setting the bit AMCS.CCATX to 1. To avoid unwanted conflicts with other automatic procedures, it is recommend disabling procedures such as automatic acknowledgment transmission and transmit and switch to receive by setting AMCS.AACK to 0 and AMCS.TX2RX to 0, respectively while CCATX is in use. To avoid any frame decoding or detection during the energy measurement, the baseband cores are disabled by setting PC.BBEN to 0.

From state TRXOFF the command TXPREP is written to the register RFn_CMD. The command TXPREP causes the radio to set the desired frequency and to power-on AVDD. Once this is completed, the state TXPREP is reached and the interrupt IRQS.TRXRDY is issued.

From the state TXPREP the command RX is written to the register RFn_CMD to reach state RX. The energy measurement is triggered by setting EDC.EDM to 1.

Before the frame can be transmitted, the frame length needs to be written to the registers BBCn_TXFLL and BBCn_TXFLH. The length value includes the FCS octets that are appended to the frame contents automatically as part of the PSDU. In this example the FCS type is kept to its default value, see PC.FCST.

There are several options when to download the frame to the frame buffer. It can be downloaded either before the entire CCATX procedure, during the CCA measurement period or during the preamble transmission. It needs be ensured that the frame content is available to the baseband for actual transmission to avoid a buffer under-run issue. For further information about the buffer under-run issue see section "Frame Buffer" on page 132. In this example, the frame content is downloaded to the frame buffer during the energy measurement period.

The energy measurement completion is indicated by the interrupt IRQS.EDC. If the measured energy value is below the threshold value set in the register BBCn_AMEDT, the CCATX procedure continues and switches to the state TX. Since switching from state RX to state TX transits the state TXPREP, the interrupt TRXRDY is issued. With the interrupt IRQS.EDC the status bit AMCS.CCAED is updated. It provides the status of the comparison between measured and configured energy threshold. The value of the energy measurement can be read from register RFn_EDV.

If the measured energy is above the configured threshold, the state is not switched automatically to TX. It stays in state RX instead. Figure 6-35 on page 149 shows a busy channel scenario. If further frame reception is requested, the baseband needs to be enabled again by setting PC.BBEN to 1.

In state TX the frame is transmitted from the frame buffer. For the frame transmission the baseband is enabled again automatically. The baseband starts the transmission with PA up-ramping, sending the corresponding frame preamble and PHY header. After the transmission of the preamble and the PHY header, the TX frame buffer content is transmitted.

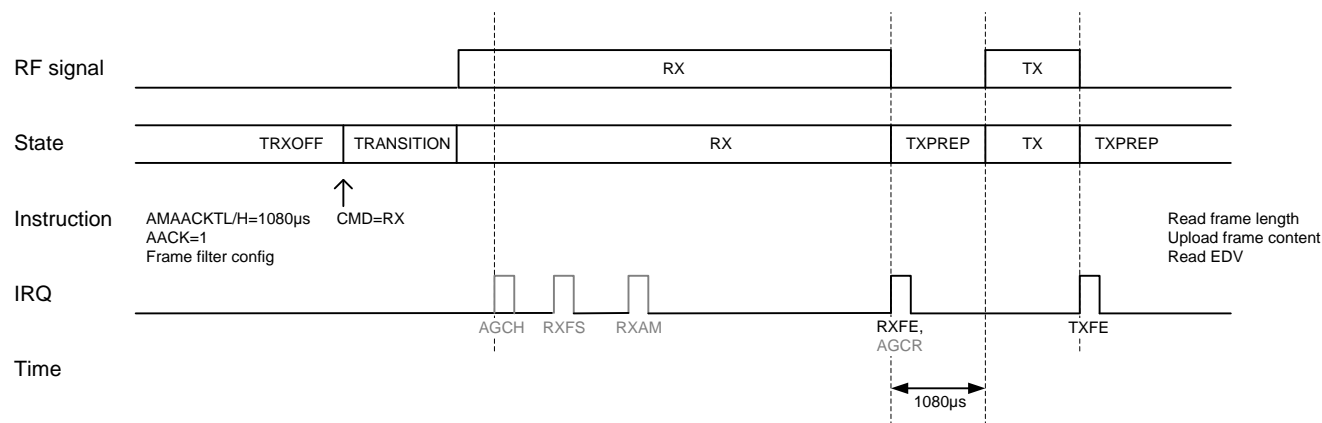
If the transmission of the frame content including FCS and PA down-ramping is completed, the interrupt `IRQS.TXFE` is issued and the state is changed to TXPREP automatically. Since the interrupt TXFE is always issued at the end of the CCATX procedure, the status bit `AMCS.CCAED` provides information about the actual transmission. If the bit indicates that the channel has been assessed as idle, the frame transmission has been executed automatically during the CCATX procedure. If the bit indicates a busy channel, the CCATX procedure has not started the frame transmission after the energy measurement period. Further steps of the CSMA algorithm such as backoff and CCA retry need to be controlled by the MCU.

7.2.5 Example Receive Procedure Using Auto Mode

The following section describes the receive procedure including acknowledgment frame transmission with the support of the auto mode. The automatic acknowledgement transmission features (AACK) uses the frame filter module to determine if an acknowledgement frame needs to be transmitted. The duration between the end of the frame reception and the ACK frame transmission is configured by registers `BBCn_AMAACKTL` and `BBCn_AMAACKTH`. The frame filter configuration is described in section "Frame Filter" on page 141. The details of the AACK procedure are available in section "Automatic Acknowledgement (AACK)" on page 146 .

After the example configuration (see section 7.2 on page 170), the above mentioned configuration for the AACK feature and the frame filter setup are completed, the transceiver is switched to state RX by writing the command RX to the register `RFn_CMD`. Now the receiver is able to receive a frame. The frame reception sequence including ACK transmission is shown in Figure 7-5. Note, the figure does not represent the absolute time scale.

Figure 7-5. Frame Receive Sequence with Automatic Acknowledgment Transmission



If the baseband core detects a preamble, it holds the AGC automatically. If a valid frame header is decoded by the OFDM module, the interrupt `IRQS.RXFS` is issued. The interrupt `IRQS.RXAM` is triggered if the frame filter detects a matching address in the received frame.

The end of the frame reception is indicated by the interrupt `IRQS.RXFE`. It is issued if the FCS validation is correct. With the interrupt `IRQS.RXFE`, the state changes from RX to TXPREP automatically. If the frame is not received completely or the FCS validation is not correct, the transceiver stays in state RX to receive the next frame and the AGC is released.

The frame filter and the AACK module determine that an ACK transmission is required and start a timer to trigger the ACK transmission. The timer duration between the end of frame reception and the start of ACK transmission is read from the registers [BBCn_AMAACKTL](#) and [BBCn_AMAACKTH](#). The AACK module creates the ACK frame automatically and transmits it at the configured time after the interrupt RXFE. At the end of the ACK transmission the interrupt TXFE is issued and the state TXPREP is entered.

After the interrupt RXFE the length of the received frame can be read from the registers [BBCn_RXFLL](#) and [BBCn_RXFLH](#). With the length information the frame can be read from the frame buffer starting at register [BBCn_FBRXS](#). If the energy of the received frame is of interest, it can be read from the register [RFn_EDV](#). The energy measurement has been triggered automatically by the baseband core by the interrupt [IRQS.RXFS](#).

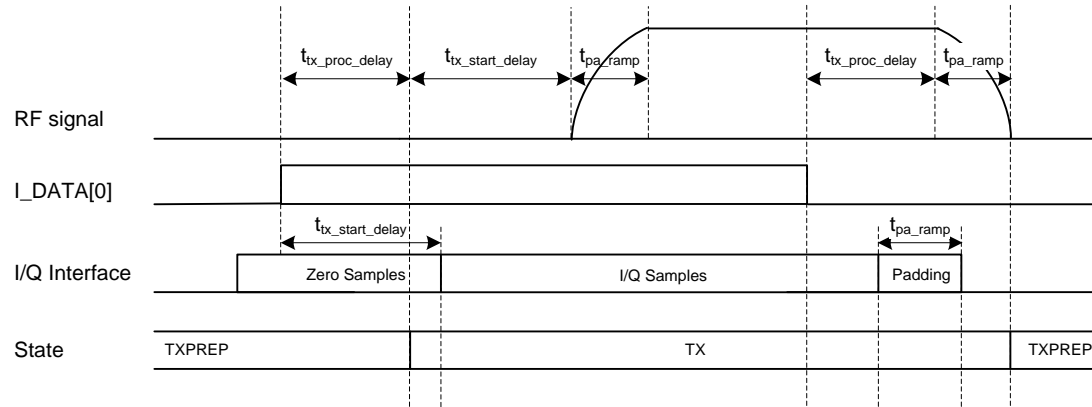
7.3 Transmitter Usage in I/Q Radio Mode

This section explains how to configure the AT86RF215 for transmission in I/Q radio mode. It is assumed, that the radio has been reset before and is in [State TRXOFF](#). All interrupts in register [RFn_IRQS](#) should be enabled. Following steps shall be performed:

- Enable I/Q radio mode by setting sub-register [IQIFC1.CHPM](#)=1 at AT86RF215. For further description of chip modes, see section "[Operating Modes](#)" on page 30. The I/Q radio mode is set by default at AT86RF215IQ.
- Configure the Transmitter Frontend:
 - Set the transmitter analog frontend sub-registers [TXCUTC.LPFCUT](#) and [TXCUTC.PARAMP](#), see section "[Transmitter Analog Frontend](#)" on page 44.
 - Set the transmitter digital frontend sub-registers [TXDFE.SR](#) and [TXDFE.RCUT](#), see section "[Transmitter Digital Frontend](#)" on page 43
- Configure the channel parameters, see section "[Channel Configuration](#)" on page 62 and transmit power, see section "[Power Amplifier](#)" on page 45.
- Optional: Perform ED measurement, see section "[Energy Measurement](#)" on page 56. The following steps are recommended:
 - Configure the measurement period, see register [RFn_EDD](#).
 - Switch to [State RX](#).
 - Start and finish a measurement:
 - For single and continuous ED modes a measurement starts if the mode is written to sub-register [EDC.EDM](#). The completion of the measurement is indicated by the interrupt [IRQS.EDC](#). The resulting ED value can be read from register [RFn_EDV](#).
 - For the automatic mode, a measurement starts by setting bit [AGCC.FRZC](#)=1. After the completion of the measurement period, the ED value can be read from register [RFn_EDV](#).
- Switch to [State TXPREP](#); interrupt [IRQS.TRXRDY](#) is issued.
- To start the actual transmission, there are two possibilities, depending on the setting of sub-register [IQIFC0.EEC](#):
 - [IQIFC0.EEC](#)=0: Provide I/Q samples on the "[Serial I/Q Data Interface](#)". Enable the radio transmitter by writing command TX to the register [RFn_CMD](#) via SPI. Be aware of the critical time alignment between providing I/Q samples and enabling the radio transmitter, see section "[Transmit Control](#)" on page 46. Make sure to pre-pend zero samples to the I/Q samples for proper PA ramp-up.
 - [IQIFC0.EEC](#)=1: Provide I/Q samples on the "[Serial I/Q Data Interface](#)". The transmitter is activated automatically with the TX start signal embedded in [I_DATA\[0\]](#), see [Figure 6-4 on page 47](#). Provided SPI commands such as TX and TXPREP are ignored.
- To finish a transmission depends on the setting of bit [IQIFC0.EEC](#):
 - [IQIFC0.EEC](#)=0: To leave the [State TX](#), write command TXPREP to the register [RFn_CMD](#). Reaching [State TXPREP](#) is indicated by the interrupt [IRQS.TRXRDY](#). Make sure to append enough padding samples to the I/Q samples to provide data until the PA is ramped-down, see section "[Transmit Control](#)" on page 46.
 - [IQIFC0.EEC](#)=1: If the bit [I_DATA\[0\]](#) is set to 0 (see [Figure 6-4 on page 47](#)) the ramp down process of the PA is started automatically. After ramp down the transmitter switches back to [State TXPREP](#). Padding samples are required to avoid spurious emission during PA ramp-down.

An example transmission for [IQIFC0.EEC](#)=1 is shown in [Figure 7-6](#). As shown, no external SPI command is needed to control the transmission; provided SPI commands such as TXPREP are ignored if [IQIFC0.EEC](#)=1. The zero samples have to be pre-pended at least $t_{tx_start_delay}$ before the actual I/Q samples start. The duration of the padding shall correspond to the PA down-ramp time.

Figure 7-6. Transmit sequence in I/Q Radio Mode for IQFC0.EEC=1



7.4 Receiver Usage in I/Q Radio Mode

This section explains how to configure the AT86RF215 for reception of data in I/Q radio mode. It is assumed, that the radio has been reset before and is in *State TRXOFF*. All interrupts in register *RFn_IRQS* should be enabled (*RFn_IRQM=0x3f*). In order to use the receiver in I/Q radio mode the following steps shall be performed:

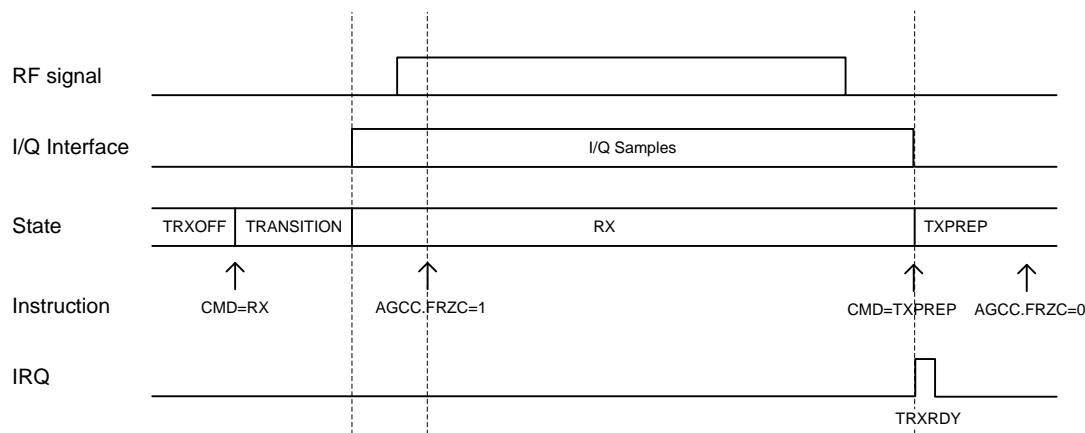
- Enable I/Q radio mode by setting sub-register *IQIFC1.CHPM=1*. For further description of chip modes, see section "Operating Modes" on page 30. For AT86RF215IQ the I/Q radio mode is set by default.
- Configure the Receiver Frontend:
 - Set the receiver analog frontend sub-registers *RXBWC.BW* and *RXBWC.IFS*, see section "Receiver Analog Frontend" on page 52.
 - Set the receiver digital frontend sub-registers *RXDFE.SR* and *RXDFE.RCUT*, see section "Receiver Digital Frontend" on page 53.
 - Set the AGC registers *RFn_AGCC* and *RFn_AGCS*, see section "Automatic Gain Control (AGC)" on page 53.
- Configure the channel, see section "Channel Configuration" on page 62.
- Switch to *State TXPREP*; interrupt *IRQS.TRXRDY* is issued. TXD and TXCLK are activated as shown in Figure 4-12 on page 26.
- Prepare the external baseband for reception of I/Q samples, see section "Serial I/Q Data Interface" on page 22 then enable the radio receiver by writing command RX to the register *RFn_CMD*. To prevent the AGC from switching its gain during reception, it is recommended to set *AGCC.FRZC=1* after reception of the preamble, see section 0 on page 54. Accordingly, the AGC has to be released after finishing reception by setting *AGCC.FRZC=0*.

Now, continuous I/Q samples are provided at the I/Q data interface.

The receive state can be stopped at any time by writing command TXPREP to the register *RFn_CMD*. A successful state transition to TXPREP is indicated by the interrupt *IRQS.TRXRDY*.

The receive procedure is exemplary shown in Figure 7-7.

Figure 7-7. Receive Sequence in I/Q Radio Mode



8. Register Summary

All registers not mentioned within the following table are reserved for internal use and must not be overwritten. When writing to a register, any reserved bits shall be overwritten only with their reset value.

Addr	Name	Bit 7	Bit 6	Bit 5	Bit 4	Bit 3	Bit 2	Bit 1	Bit 0	Page
0x0000	RF09_IRQS	–	–	IQIFS	TRXERR	BATLOW	EDC	TRXRDY	WAKEUP	40
0x0001	RF24_IRQS	–	–	IQIFS	TRXERR	BATLOW	EDC	TRXRDY	WAKEUP	40
0x0002	BBC0_IRQS	FBLI	AGCR	AGCH	TXFE	RXEM	RXAM	RXFE	RXFS	41
0x0003	BBC1_IRQS	FBLI	AGCR	AGCH	TXFE	RXEM	RXAM	RXFE	RXFS	41
0x0005	RF_RST	–	–	–	–	–	CMD			14
0x0006	RF_CFG	–	–	–	–	IRQMM	IRQP	DRV		19, 41
0x0007	RF_CLKO	–	–	–	DRV		OS			20
0x0008	RF_BMDVDC	–	–	BMS	BMHR	BMVTH				78
0x0009	RF_XOC	–	–	–	FS	TRIM				69
0x000A	RF_IQIFC0	EXTLB	SF	DRV		CMV		CMV1V2	EEC	27, 50
0x000B	RF_IQIFC1	FAILSF	CHPM			–	–	SKEWDRV		28, 32
0x000C	RF_IQIFC2	SYNC	–	–	–	–	–	–	–	29
0x000D	RF_PN	PN								
0x000E	RF_VN	VN								
0x0100	RF09_IRQM	–	–	IQIFS	TRXERR	BATLOW	EDC	TRXRDY	WAKEUP	39
0x0101	RF09_AUXS	EXTLNABYP	AGCMAP		AVEXT	AVEN	AVS	PAVC		50, 72, 76
0x0102	RF09_STATE	–	–	–	–	–	STATE			36
0x0103	RF09_CMD	–	–	–	–	–	CMD			37
0x0104	RF09_CS	CS								
0x0105	RF09_CCF0L	CCF0L								
0x0106	RF09_CCF0H	CCF0H								
0x0107	RF09_CNL	CNL								
0x0108	RF09_CNM	CM		–	–	–	–	–	CNH	65
0x0109	RF09_RXBWC	–	–	IFI	IFS	BW				57
0x010A	RF09_RXDFE	RCUT		–		SR				58
0x010B	RF09_AGCC	–	AGCI	AVGS		RST	FRZS	FRZC	EN	59
0x010C	RF09_AGCS	TGT			GCW					60
0x010D	RF09_RSSI	RSSI								
0x010E	RF09_EDC	–	–	–	–	–	–	EDM		60
0x010F	RF09_EDD	DF						DTB		61
0x0110	RF09_EDV	EDV								
0x0111	RF09_RNDV	RNDV								
0x0112	RF09_TXCUTC	PARAMP		–	–	LPFCUT				48
0x0113	RF09_TXDFE	RCUT			DM	SR				48, 109, 131
0x0114	RF09_PAC	–	PACUR		TXPWR					49
0x0116	RF09_PADFE	PADFE		–	–	–	–	–	–	73
0x0121	RF09_PLL	–	–	LBW		–	–	LS	–	65
0x0122	RF09_PLLCF	–	–	CF						66
0x0125	RF09_TXCI	–	–	DCOI						225
0x0126	RF09_TXCQ	–	–	DCOQ						226
0x0127	RF09_TXDACI	ENTXDACID	TXDACID							223
0x0128	RF09_TXDACQ	ENTXDACQD	TXDACQD							223
0x0200	RF24_IRQM	–	–	IQIFS	TRXERR	BATLOW	EDC	TRXRDY	WAKEUP	39
0x0201	RF24_AUXS	EXTLNABYP	AGCMAP		AVEXT	AVEN	AVS	PAVC		50, 72, 76
0x0202	RF24_STATE	–	–	–	–	–	STATE			36
0x0203	RF24_CMD	–	–	–	–	–	CMD			37
0x0204	RF24_CS	CS								
0x0205	RF24_CCF0L	CCF0L								

Addr	Name	Bit 7	Bit 6	Bit 5	Bit 4	Bit 3	Bit 2	Bit 1	Bit 0	Page	
0x0206	RF24_CCF0H	CCF0H								65	
0x0207	RF24_CNL	CNL								65	
0x0208	RF24_CNM	CM		-	-	-	-	-	CNH	65	
0x0209	RF24_RXBWC	-	-	IFI	IFS	BW				57	
0x020A	RF24_RXDFE	RCUT			-	SR				58	
0x020B	RF24_AGCC	-	AGCI	AVGS		RST	FRZS	FRZC	EN	59	
0x020C	RF24_AGCS	TGT			GCW					60	
0x020D	RF24_RSSI	RSSI								60	
0x020E	RF24_EDC	-	-	-	-	-	-	EDM		60	
0x020F	RF24_EDD	DF						DTB		61	
0x0210	RF24_EDV	EDV								61	
0x0211	RF24_RNDV	RNDV								161	
0x0212	RF24_TXCUTC	PARAMP		-	-	LPFCUT				48	
0x0213	RF24_TXDFE	RCUT			DM	SR				48, 109, 131	
0x0214	RF24_PAC	-	PACUR		TXPWR					49	
0x0216	RF24_PADFE	PADFE		-	-	-	-	-	-	73	
0x0221	RF24_PLL	-	-	LBW		-	-	LS	-	65	
0x0222	RF24_PLLCF	-	-	CF						66	
0x0225	RF24_TXCI	-	-	DCOI						225	
0x0226	RF24_TXCQ	-	-	DCOQ						226	
0x0227	RF24_TXDACI	ENTXDACID	TXDACID								223
0x0228	RF24_TXDACQ	ENTXDACQD	TXDACQD								223
0x0300	BBC0_IRQM	FBLI	AGCR	AGCH	TXFE	RXEM	RXAM	RXFE	RXFS	39	
0x0301	BBC0_PC	CTX	FCSFE	FCSOK	TXAFCS	FCST	BBEN	PT		84, 139, 222	
0x0302	BBC0_PS	-	-	-	-	-	-	-	TXUR	135	
0x0304	BBC0_RXFLL	RXFLL								135	
0x0305	BBC0_RXFLH	-	-	-	-	-	RXFLH			135	
0x0306	BBC0_TXFLL	TXFLL								136	
0x0307	BBC0_TXFLH	-	-	-	-	-	TXFLH			135	
0x0308	BBC0_FBALL	FBLL								135	
0x0309	BBC0_FBLH	-	-	-	-	-	FBLH			135	
0x030A	BBC0_FBLIL	FBLIL								136	
0x030B	BBC0_FBLIH	-	-	-	-	-	FBLIH			137	
0x030C	BBC0_OFDMPHRTX	RB21	RB18	RB17	RB5	-	MCS			116	
0x030D	BBC0_OFDMPHRRX	RB21	RB18	RB17	RB5	SPC	MCS			116	
0x030E	BBC0_OFDMC	SSRX		SSTX		LFO	POI	OPT		117	
0x030F	BBC0_OFDMSW	PDT			RXO	-	-	-	-	118	
0x0310	BBC0_OQPSKC0	-	-	-	DM	MOD	-	FCHIP		126	
0x0311	BBC0_OQPSKC1	RXO	RXOLEG	PDT1		PDT0			127		
0x0312	BBC0_OQPSKC2	-	-	SPC	RPC	ENPROP	FCSTLEG	RXM		127	
0x0313	BBC0_OQPSKC3	-	-	HRLEG	-	NSFD		-	-	129	
0x0314	BBC0_OQPSKPHRTX	-	-	PPDUT	RB0	MOD		LEG		129	
0x0315	BBC0_OQPSKPHRRX	-	-	PPDUT	RB0	MOD		LEG		130	
0x0320	BBC0_AFC0	-	-	-	PM	AFEN3	AFEN2	AFEN1	AFEN0	149	
0x0321	BBC0_AFC1	MRFT3	MRFT2	MRFT1	MRFT0	PANC3	PANC2	PANC1	PANC0	150	
0x0322	BBC0_AFFTM	AFFTM								151	
0x0323	BBC0_AFFVM	-	-	-	-	AFFVM				151	
0x0324	BBC0_AFS	-	-	-	EM	AM3	AM2	AM1	AM0	151	
0x0325	BBC0_MACEA0	MACEA0								152	
0x0326	BBC0_MACEA1	MACEA1								152	
0x0327	BBC0_MACEA2	MACEA2								152	
0x0328	BBC0_MACEA3	MACEA3								152	
0x0329	BBC0_MACEA4	MACEA4								152	
0x032A	BBC0_MACEA5	MACEA5								153	
0x032B	BBC0_MACEA6	MACEA6								153	

Addr	Name	Bit 7	Bit 6	Bit 5	Bit 4	Bit 3	Bit 2	Bit 1	Bit 0	Page
0x032C	BBC0_MACEA7	MACEA7								153
0x032D	BBC0_MACPID0F0	MACPID0F0								153
0x032E	BBC0_MACPID1F0	MACPID1F0								153
0x032F	BBC0_MACSHA0F0	MACSHA0F0								154
0x0330	BBC0_MACSHA1F0	MACSHA1F0								154
0x0331	BBC0_MACPID0F1	MACPID0F1								154
0x0332	BBC0_MACPID1F1	MACPID1F1								154
0x0333	BBC0_MACSHA0F1	MACSHA0F1								154
0x0334	BBC0_MACSHA1F1	MACSHA1F1								155
0x0335	BBC0_MACPID0F2	MACPID0F2								155
0x0336	BBC0_MACPID1F2	MACPID1F2								155
0x0337	BBC0_MACSHA0F2	MACSHA0F2								155
0x0338	BBC0_MACSHA1F2	MACSHA1F2								155
0x0339	BBC0_MACPID0F3	MACPID0F3								156
0x033A	BBC0_MACPID1F3	MACPID1F3								156
0x033B	BBC0_MACSHA0F3	MACSHA0F3								156
0x033C	BBC0_MACSHA1F3	MACSHA1F3								156
0x0340	BBC0_AMCS	AACKFT	AACKFA	AACKDR	AACKS	AACK	CCAED	CCATX	TX2RX	156
0x0341	BBC0_AMEDT	AMEDT								158
0x0342	BBC0_AMAACKPD	-	-	-	-	PD3	PD2	PD1	PD0	158
0x0343	BBC0_AMAACKTL	AMAACKTL								159
0x0344	BBC0_AMAACKTH	-	-	-	-	-	AMAACKTH			159
0x0360	BBC0_FSKC0	BT		MIDXS		MIDX			MORD	101
0x0361	BBC0_FSKC1	FSKPLH		FI	-	SRATE				102
0x0362	BBC0_FSKC2	PDTM	RXO		RXPTO	MSE	PRI	FECS	FECIE	103
0x0363	BBC0_FSKC3	SFDT				PDT				104
0x0364	BBC0_FSKC4	-	SFDQ	SFD32	RAWRBIT	CSFD1		CSFD0		105
0x0365	BBC0_FSKPLL	FSKPLL								105
0x0366	BBC0_FSKSFD0L	FSKSFD0L								106
0x0367	BBC0_FSKSFD0H	FSKSFD0H								106
0x0368	BBC0_FSKSFD1L	FSKSFD1L								106
0x0369	BBC0_FSKSFD1H	FSKSFD1H								106
0x036A	BBC0_FSKPHRTX	-	-	-	-	SFD	DW	RB2	RB1	106
0x036B	BBC0_FSKPHRRX	FCST	MS	-	-	SFD	DW	RB2	RB1	107
0x036C	BBC0_FSKRPC	-	-	-	-	EN	BASET			110
0x036D	BBC0_FSKRPCONT	FSKRPCONT								110
0x036E	BBC0_FSKRPCOFFT	FSKRPCOFFT								110
0x0370	BBC0_FSKRRXFLL	FSKRRXFLL								108
0x0371	BBC0_FSKRRXFLH	-	-	-	-	-	FSKRRXFLH			108
0x0372	BBC0_FSKDM	-	-	-	-	-	-	PE	EN	109
0x0373	BBC0_FSKPE0	FSKPE0								109
0x0374	BBC0_FSKPE1	FSKPE1								109
0x0375	BBC0_FSKPE2	FSKPE2								109
0x0380	BBC0_PMUC	CCFTS	IQSEL	FED	SYNC			AVG	EN	162
0x0381	BBC0_PMUVAL	PMUVAL								164
0x0382	BBC0_PMUQF	PMUQF								164
0x0383	BBC0_PMUI	PMUI								164
0x0384	BBC0_PMUQ	PMUQ								164
0x0390	BBC0_CNTC	-	-	-	CAPTXS	CAPRXS	RSTTXS	RSTRXS	EN	167
0x0391	BBC0_CNT0	CNT0								168
0x0392	BBC0_CNT1	CNT1								168
0x0393	BBC0_CNT2	CNT2								168
0x0394	BBC0_CNT3	CNT3								168
0x0400	BBC1_IRQM	FBLI	AGCR	AGCH	TXFE	RXEM	RXAM	RXFE	RXFS	39
0x0401	BBC1_PC	CTX	FCSFE	FCSOK	TXAFCS	FCST	BBEN	PT		84, 139, 222

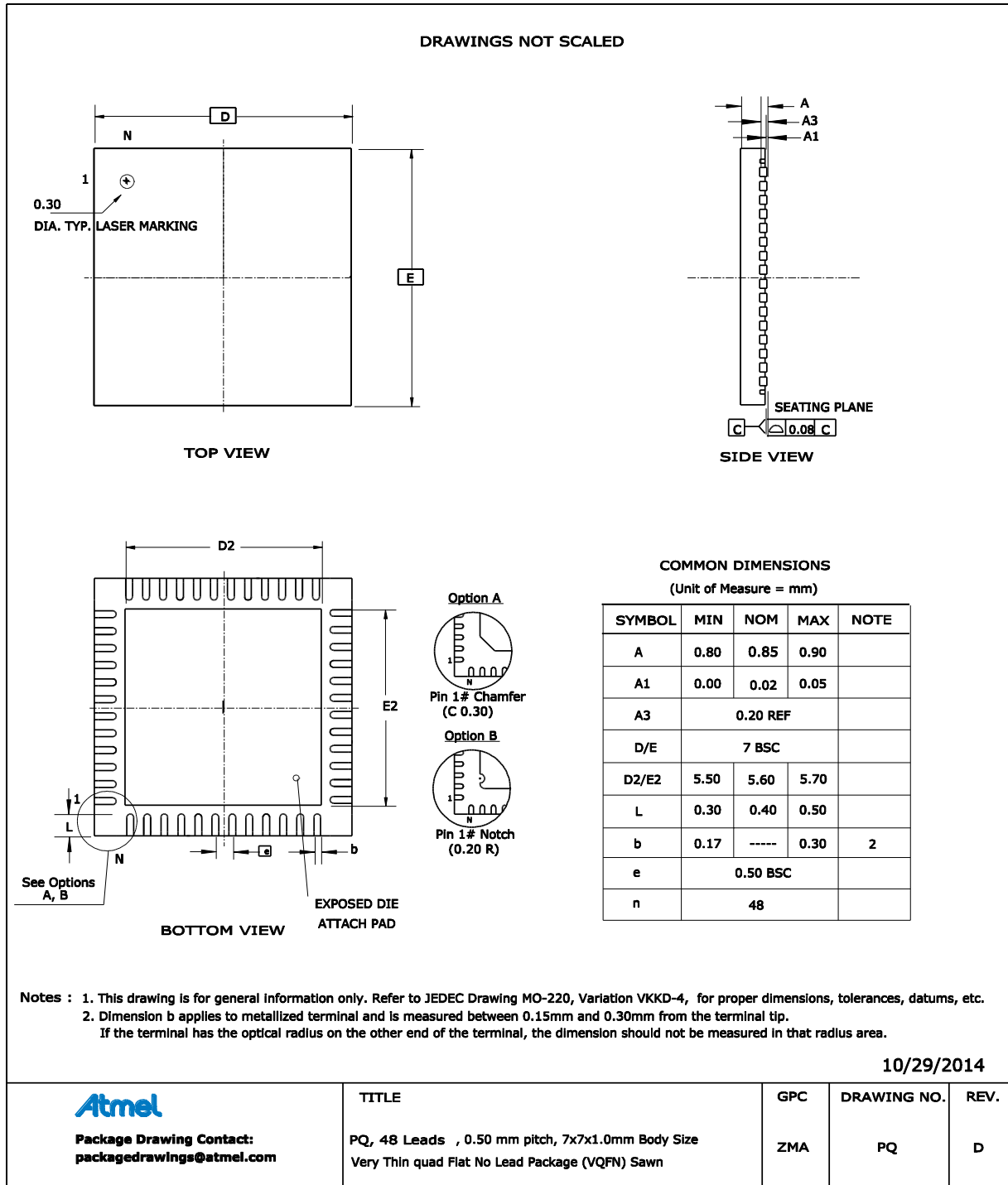
Addr	Name	Bit 7	Bit 6	Bit 5	Bit 4	Bit 3	Bit 2	Bit 1	Bit 0	Page
0x0402	BBC1_PS	–	–	–	–	–	–	–	TXUR	135
0x0404	BBC1_RXFLL	RXFLL								135
0x0405	BBC1_RXFLH	–	–	–	–	–	–	RXFLH		135
0x0406	BBC1_TXFLL	TXFLL								136
0x0407	BBC1_TXFLH	–	–	–	–	–	–	TXFLH		135
0x0408	BBC1_FBLL	FBLL								135
0x0409	BBC1_FBLH	–	–	–	–	–	–	FBLH		135
0x040A	BBC1_FBLIL	FBLIL								136
0x040B	BBC1_FBLIH	–	–	–	–	–	–	FBLIH		137
0x040C	BBC1_OFDMPHRTX	RB21	RB18	RB17	RB5	–	–	–	MCS	116
0x040D	BBC1_OFDMPHRRX	RB21	RB18	RB17	RB5	SPC	–	–	MCS	116
0x040E	BBC1_OFDMC	SSRX		SSTX		LFO	POI	OPT		117
0x040F	BBC1_OFDMSW	PDT			RXO	–	–	–	–	118
0x0410	BBC1_OQPSKC0	–	–	–	DM	MOD	–	FCHIP		126
0x0411	BBC1_OQPSKC1	RXO	RXOLEG	PDT1			PDT0			127
0x0412	BBC1_OQPSKC2	–	–	SPC	RPC	ENPROP	FCSTLEG	RXM		127
0x0413	BBC1_OQPSKC3	–	–	HRLEG	–	NSFD		–	–	129
0x0414	BBC1_OQPSKPHRTX	–	–	PPDUT	RB0	MOD			LEG	129
0x0415	BBC1_OQPSKPHRRX	–	–	PPDUT	RB0	MOD			LEG	130
0x0420	BBC1_AFC0	–	–	–	PM	AFEN3	AFEN2	AFEN1	AFEN0	149
0x0421	BBC1_AFC1	MRFT3	MRFT2	MRFT1	MRFT0	PANC3	PANC2	PANC1	PANC0	150
0x0422	BBC1_AFFTM	AFFTM								151
0x0423	BBC1_AFFVM	–	–	–	–	AFFVM				151
0x0424	BBC1_AFS	–	–	–	EM	AM3	AM2	AM1	AM0	151
0x0425	BBC1_MACEA0	MACEA0								152
0x0426	BBC1_MACEA1	MACEA1								152
0x0427	BBC1_MACEA2	MACEA2								152
0x0428	BBC1_MACEA3	MACEA3								152
0x0429	BBC1_MACEA4	MACEA4								152
0x042A	BBC1_MACEA5	MACEA5								153
0x042B	BBC1_MACEA6	MACEA6								153
0x042C	BBC1_MACEA7	MACEA7								153
0x042D	BBC1_MACPID0F0	MACPID0F0								153
0x042E	BBC1_MACPID1F0	MACPID1F0								153
0x042F	BBC1_MACSHA0F0	MACSHA0F0								154
0x0430	BBC1_MACSHA1F0	MACSHA1F0								154
0x0431	BBC1_MACPID0F1	MACPID0F1								154
0x0432	BBC1_MACPID1F1	MACPID1F1								154
0x0433	BBC1_MACSHA0F1	MACSHA0F1								154
0x0434	BBC1_MACSHA1F1	MACSHA1F1								155
0x0435	BBC1_MACPID0F2	MACPID0F2								155
0x0436	BBC1_MACPID1F2	MACPID1F2								155
0x0437	BBC1_MACSHA0F2	MACSHA0F2								155
0x0438	BBC1_MACSHA1F2	MACSHA1F2								155
0x0439	BBC1_MACPID0F3	MACPID0F3								156
0x043A	BBC1_MACPID1F3	MACPID1F3								156
0x043B	BBC1_MACSHA0F3	MACSHA0F3								156
0x043C	BBC1_MACSHA1F3	MACSHA1F3								156
0x0440	BBC1_AMCS	AACKFT	AACKFA	AACKDR	AACKS	AACK	CCAED	CCATX	TX2RX	156
0x0441	BBC1_AMEDT	AMEDT								158
0x0442	BBC1_AMAACKPD	–	–	–	–	PD3	PD2	PD1	PD0	158
0x0443	BBC1_AMAACKTL	AMAACKTL								159
0x0444	BBC1_AMAACKTH	–	–	–	–	–	AMAACKTH			159
0x0460	BBC1_FSKC0	BT		MIDX		MIDX		MORD		101
0x0461	BBC1_FSKC1	FSKPLH		FI	–	SRATE				102
0x0462	BBC1_FSKC2	PDTM	RXO		RXPTO	MSE	PRI	FECS	FECIE	103

Addr	Name	Bit 7	Bit 6	Bit 5	Bit 4	Bit 3	Bit 2	Bit 1	Bit 0	Page
0x0463	BBC1_FSKC3	SFDT				PDT				104
0x0464	BBC1_FSKC4	–	SFDQ	SFD32	RAWRBIT	CSFD1		CSFD0		105
0x0465	BBC1_FSKPLL	FSKPLL								105
0x0466	BBC1_FSKSFD0L	FSKSFD0L								106
0x0467	BBC1_FSKSFD0H	FSKSFD0H								106
0x0468	BBC1_FSKSFD1L	FSKSFD1L								106
0x0469	BBC1_FSKSFD1H	FSKSFD1H								106
0x046A	BBC1_FSKPHRTX	–	–	–	–	SFD	DW	RB2	RB1	106
0x046B	BBC1_FSKPHRRX	FCST	MS	–	–	SFD	DW	RB2	RB1	107
0x046C	BBC1_FSKRPC	–	–	–	–	EN	BASET			110
0x046D	BBC1_FSKRPCONT	FSKRPCONT								110
0x046E	BBC1_FSKRPCOFFT	FSKRPCOFFT								110
0x0470	BBC1_FSKRRXFL	FSKRRXFL								108
0x0471	BBC1_FSKRRXFLH	–	–	–	–	–	FSKRRXFLH			108
0x0472	BBC1_FSKDM	–	–	–	–	–	–	PE	EN	109
0x0473	BBC1_FSKPE0	FSKPE0								109
0x0474	BBC1_FSKPE1	FSKPE1								109
0x0475	BBC1_FSKPE2	FSKPE2								109
0x0480	BBC1_PMUC	CCFTS	IQSEL	FED	SYNC			AVG	EN	162
0x0481	BBC1_PMUVAL	PMUVAL								164
0x0482	BBC1_PMUQF	PMUQF								164
0x0483	BBC1_PMUI	PMUI								164
0x0484	BBC1_PMUQ	PMUQ								164
0x0490	BBC1_CNTC	–	–	–	CAPTXS	CAPRXS	RSTTXS	RSTRXS	EN	167
0x0491	BBC1_CNT0	CNT0								168
0x0492	BBC1_CNT1	CNT1								168
0x0493	BBC1_CNT2	CNT2								168
0x0494	BBC1_CNT3	CNT3								168
0x2000	BBC0_FBRXS	FBRXS								136
0x27FE	BBC0_FBRXE	FBRXE								136
0x2800	BBC0_FBTXS	FBTXS								136
0x2FFE	BBC0_FBTXE	FBTXE								136
0x3000	BBC1_FBRXS	FBRXS								136
0x37FE	BBC1_FBRXE	FBRXE								136
0x3800	BBC1_FBTXS	FBTXS								136
0x3FFE	BBC1_FBTXE	FBTXE								136

9. Package Drawing

Figure 9-1 shows the package drawing of the AT86RF215.

Figure 9-1. Package Drawing QFN48



10. Electrical Characteristics

10.1 Absolute Maximum Ratings*

Storage temperature.....	-50 to 150°C
Lead temperature	260°C
ESD voltage (Human Body Model).....	4kV
Input RF level	10dBm
Voltage on all digital pins	-0.3 to 4.0V
Voltage on all analog pins.....	-0.3 to 2.0V

*Notice: Stresses beyond those listed under “Absolute Maximum Ratings” may cause permanent damage to the device. This is a stress rating only and functional operation of the device at these or any other conditions beyond those indicated in the operational sections of this specification are not implied. Exposure to absolute maximum rating conditions for extended periods may affect device reliability.

10.2 Operating Range

Table 10-1. Operating Range

Symbol	Parameter	Condition	Min.	Typ.	Max.	Unit
T _{OP}	Operating temperature range		-40		85	°C
V _{DD}	DEVDD/EVDD digital and analog external supply voltage		1.8	3.0	3.6	V

10.3 Digital Pin Specifications

Test Condition: T_{OP} = 25°C

Table 10-2. Digital pin specifications

Symbol	Parameter	Condition	Min.	Typ.	Max.	Unit
V _{IH}	High level input voltage		V _{DD} -0.4			V
V _{IL}	Low level input voltage				0.4	V
V _{OH}	High level output voltage		V _{DD} -0.4			V
V _{OL}	Low level output voltage				0.4	V

10.4 Power-on Reset Characteristics

Table 10-3. Power-on Reset Voltage Characteristics

Symbol	Parameter	Condition	Min.	Typ.	Max.	Unit
t _{RST}	Pulse width at pin RSTN		625			ns
V _{POT}	Power-on Reset threshold voltage	rising slope (power supply previously discharged) ⁽¹⁾	1.55	1.6	1.65	V
		falling slope ⁽²⁾	1.45	1.5	1.55	V
t _{POT}	Power-on Reset recovery time	Time of EVDD/DEVDD (V _{DD}) < V _{POT}	1			ms
V _{PSR}	Power-on slope		0.01		3300	V/ms

- Notes: 1. Threshold when device is released from reset when voltage is rising.
 2. The Power-on Reset will not work unless the supply voltage has been dropped below V_{POT}.

10.5 General Transceiver Specifications

Table 10-4. General Transceiver Specifications

Symbol	Parameter	Condition	Min.	Typ.	Max.	Unit
f ₀	Reference clock frequency	TCXO or XTAL		26		MHz
C _{dec}	Decoupling capacitor at pins AVDD0, DVDD and AVDD1		100	100	10000	nF
I _{VREG_LIMIT}	Current limitation of internal voltage regulator at start-up		43	60	78	mA

10.6 Crystal Oscillator Specification

Table 10-5. XOSC Specification

Symbol	Parameter	Condition	Min.	Typ.	Max.	Unit
f _{CRYSTAL}	Crystal frequency requirement			26		MHz
C _{LOAD_CRYSTAL}	Load capacitances of the crystal			8		pF
ESR	Maximum ESR of crystal specification				70	Ω
C _{LEAD_DEVICE}	Lead capacitance of the AT86RF215			5		pF

10.7 Clock Output – pin CLKO

Table 10-6. Clock Output Specification

Symbol	Parameter	Condition	Min.	Typ.	Max.	Unit
f _{CLKO}	Clock output (pin CLKO) frequency	RF_CLKO.OS=1 RF_CLKO.OS=2 RF_CLKO.OS=3 RF_CLKO.OS=4 RF_CLKO.OS=5 RF_CLKO.OS=6 RF_CLKO.OS=7		26 32 16 8 4 2 1		MHz
D _{CLKO}	Duty cycle		42		58	%

10.8 Transition Time

The time reference of an SPI command is the last rising clock of SCLK of the SPI VALUE.

Table 10-7. Transition Timing

Symbol	Parameter	Condition	Min.	Typ.	Max.	Unit
t _{POWERON}	Transition time from power-on (V _{DD} >1.6V) until interrupt WAKEUP (state TRXOFF)	XTAL supplier: ACT BN serie (C _{load} =8pF); C _{dec_DVDD} =100nF			500	μs
t _{SLEEP_TRXOFF}	Transition time from state SLEEP (SPI command CMD=TRXOFF) until interrupt WAKEUP (state TRXOFF)			1		μs
t _{DEEP_SLEEP_TRXOFF}	Transition time from state DEEP_SLEEP (SPI command CMD=TRXOFF) until interrupt WAKEUP (state TRXOFF) and stable clock output at pin CLKO	XTAL supplier: ACT BN serie (C _{load} =8pF); C _{dec_DVDD} =100nF			500	μs
t _{RESET_TRXOFF}	Transition time from release RESETN until state TRXOFF			1		μs
t _{TRXOFF_TXPREP}	Transition time from state TRXOFF (SPI command CMD=TXPREP) until interrupt TRXRDY (state TXPREP)	C _{dec_AVDD} =100nF		90	200	μs
t _{TRXOFF_RX}	Transition time from TRXOFF (SPI command CMD=RX) to state RX	C _{dec_AVDD} =100nF		90	200	μs
t _{TXPREP_TX}	Transition time from TXPREP (SPI command CMD=TX) to state TX	state machine reaction time; for more details about the TX procedure see chapter "Transmitter Frontend"			200	ns
t _{tx_start_delay}	Delay from state TX until the PA ramp start			4		μs
t _{TXPREP_RX}	Transition time from TXPREP (SPI command CMD=RX) to state RX				200	ns
t _{TXPREP_TRXOFF}	Transition time from TXPREP (SPI command CMD=TRXOFF) to state TRXOFF				200	ns
t _{RX_TRXOFF}	Transition time from RX (SPI command CMD=TRXOFF) to state TRXOFF				200	ns

Symbol	Parameter	Condition	Min.	Typ.	Max.	Unit
t _{RX_TXPREP}	Transition time from RX (IRQ RXFE or SPI command CMD=TXPREP) to state TXPREP				200	ns
t _{TX_TXPREP_TXFE}	Transition time from TX (IRQ TXFE) to state TXPREP				200	ns
t _{TX_TXPREP_CMD}	Transition time from TX (SPI command CMD=TXPREP) to state TXPREP	PA ramp time RFn_TXCUTC_PARAMP = 3			33	µs
t _{TX_TRXOFF}	Transition time from TX (SPI command CMD=TRXOFF) to state TRXOFF				200	ns
t _{VREG_SETTL}	Settling time of AVDD or DVDD voltage regulator	C _{dec} =100nF		35		µs
t _{XOSC_SETTL}	Settling time of the crystal oscillator	XTAL supplier: ACT BN serie (C _{load} =8pF) / fast start up option		150		µs
t _{PLL_CH_SW}	Frequency channel switch time (PLL) in state TXPREP	Δf _{channel} <20MHz	10		100	µs
t _{RXFE}	IRQ RXFE processing delay relative to frame end; typical time depends on specific PHY mode	Transceiver received a valid frame.			100	µs

10.9 Transmitter Characteristics

10.9.1 General Transmitter Characteristics

Refer to section "Output Power at Several Modulations " on page 208 for detailed output power information and charts.

Test Conditions: T_{OP}= 25°C, V_{DD}= 3.0V, f_{channel} (500MHz band)=490MHz

Table 10-8. Transmitter Characteristics for the 500MHz Band

Symbol	Parameter	Condition	Min.	Typ.	Max.	Unit
P _{TX_05}	TX output power	Maximum output power for continuous wave at device pin	12.0	16.0	16.5	dBm
P _{RANGE_05}	Output power range			27.0		dB
P _{HARM2_05_S}	2 nd harmonic single ended ⁽¹⁾	w/o filtering; continuous wave at maximal output power		-14.0		dBm
P _{HARM3_05_S}	3 rd harmonic single ended ⁽¹⁾	w/o filtering; continuous wave at maximal output power		0.0		dBm
P _{HARM4_05_S}	4 th harmonic single ended ⁽¹⁾	w/o filtering; continuous wave at maximal output power		-23.0		dBm
P _{HARM5_05_S}	5 th harmonic single ended ⁽¹⁾	w/o filtering; continuous wave at maximal output power		-12.0		dBm

Note: 1. Requires external filtering to comply with regulatory rules.

Test Conditions: $T_{OP}= 25^{\circ}\text{C}$, $V_{DD}= 3.0\text{V}$, $f_{\text{channel}} (900\text{MHz band})=870\text{MHz}$

Table 10-9. Transmitter Characteristics for the 900MHz Band

Symbol	Parameter	Condition	Min.	Typ.	Max.	Unit
P _{TX_09}	TX output power	Maximum output power for continuous wave	11.0	14.5	16.0	dBm
P _{RANGE_09}	Output power range			27.0		dB
P _{HARM2_09_S}	2 nd harmonic single ended ⁽¹⁾	w/o filtering; continuous wave modulation at maximal output power		-17.0		dBm
P _{HARM3_09_S}	3 rd harmonic single ended ⁽¹⁾	w/o filtering; continuous wave at maximal output power		-8.0		dBm
P _{HARM4_09_S}	4 th harmonic single ended ⁽¹⁾	w/o filtering; continuous wave at maximal output power		-27.0		dBm
P _{HARM5_09_S}	5 th harmonic single ended ⁽¹⁾	w/o filtering; continuous wave at maximal output power		-25.0		dBm

Note: 1. Requires external filtering to comply with regulatory rules.

Test Conditions: $T_{OP}= 25^{\circ}\text{C}$, $V_{DD}= 3.0\text{V}$, $f_{\text{channel}} (2.4\text{GHz band})=2440\text{MHz}$

Table 10-10. Transmitter Characteristics for the 2.4GHz Band

Symbol	Parameter	Condition	Min.	Typ.	Max.	Unit
P _{TX_24}	TX output power	Maximum output power for continuous wave	11.0	14.0	15.5	dBm
P _{RANGE_24}	Output power range			28.0		dB
P _{HARM2_24_S}	2 nd harmonic single ended ⁽¹⁾	w/o filtering; continuous wave at maximal output power		-28.0		dBm
P _{HARM3_24_S}	3 rd harmonic single ended ⁽¹⁾	w/o filtering; continuous wave at maximal output power		-7.0		dBm
P _{HARM4_24_S}	4 th harmonic single ended ⁽¹⁾	w/o filtering; continuous wave at maximal output power		-38.0		dBm
P _{HARM5_24_S}	5 th harmonic single ended ⁽¹⁾	w/o filtering; continuous wave at maximal output power		-27.0		dBm

Note: 1. Requires external filtering to comply with regulatory rules.

10.9.2 Transmitter Signal Quality

Table 10-11 shows the typical FSK modulation quality value (frequency deviation and zero crossing) according to [3].

Test Conditions: AT86RF215 v.3, T_{OP}= 25°C, V_{DD}= 3.0V, f_{channel} (500MHz band)=490MHz / f_{channel} (900MHz band)=902MHz / f_{channel} (2.4GHz band)=2445MHz, maximum output power (PAC.TXPWR=31)

Table 10-11. FSK Modulation quality (frequency deviation, zero crossing)

Symbol Rate [ksymbol/s]	Modulation	Modulation Index	500MHz Band		900MHz Band		2.4GHz Band	
			Freq. dev. [% RMS]	Zero cros. [% peak]	Freq. dev. [% RMS]	Zero cros. [% peak]	Freq. dev. [% RMS]	Zero cros. [% peak]
50	2FSK	1	4	1	3	1	4	1
100	2FSK	0.5	7	1	5	2	7	2
100	2FSK	1	11	1	7	1	7	1
150	2FSK	0.5	12	2	8	2	6	3
200	2FSK	0.5	9	3	6	3	5	4
300	2FSK	0.5	13	5	10	5	10	5

Table 10-12 shows the typical OFDM error vector magnitude (EVM) values. The column P_{RFmax} (maximum output power at device pin) is the maximal (RMS) transmit power of OFDM signals measured at the device and the PAC.TXPWR reflects the according register setting. Note, the maximum (RMS) transmit power of OFDM signals is about 5.5dB lower compared to a constant envelope (CW signals). Refer to OFDM power charts in chapter "Output Power at Several Modulations " on page 208.

Test Conditions: AT86RF215 v.3, T_{OP}= 25°C, V_{DD}= 3.0V, f_{channel}(500MHz band)=490MHz / f_{channel} (900MHz band)=902MHz / f_{channel} (2.4GHz band)=2445MHz

Table 10-12. EVM of MR-OFDM PHY mode

Option	MCS	IEEE EVM spec [dB] [3]	500MHz band		900MHz band		2.4GHz band	
			EVM [dB]	P _{RFmax} [dBm] / PAC.TXPWR	EVM [dB]	P _{RFmax} [dBm] / PAC.TXPWR	EVM [dB]	P _{RFmax} [dBm] / PAC.TXPWR
1	0,1,2,3	-10	-18	12.0 / 31	-17	11.5 / 31	-15	10.5 / 31
1	4 ⁽¹⁾	-13	-20	10.5 / 29 ⁽²⁾	-19	10.0 / 29 ⁽²⁾	-17	9.5 / 29 ⁽²⁾
1	5 ⁽¹⁾	-16	-22	9.0 / 27 ⁽²⁾	-21	9.0 / 27 ⁽²⁾	-19	8.0 / 27 ⁽²⁾
1	6 ⁽¹⁾	-19	-23	7.0 / 25 ⁽²⁾	-22	7.0 / 25 ⁽²⁾	-20	6.5 / 25 ⁽²⁾
2	0,1,2,3	-10	-18	12.0 / 31	-17	11.5 / 31	-15	10.5 / 31
2	4	-13	-20	10.5 / 29 ⁽²⁾	-19	10.0 / 29 ⁽²⁾	-17	9.5 / 29 ⁽²⁾
2	5	-16	-22	9.0 / 27 ⁽²⁾	-21	9.0 / 27 ⁽²⁾	-19	8.0 / 27 ⁽²⁾
2	6 ⁽¹⁾	-19	-23	7.0 / 25 ⁽²⁾	-22	7.0 / 25 ⁽²⁾	-20	6.5 / 25 ⁽²⁾
3	1,2,3	-10	-18	12.0 / 31	-17	11.5 / 31	-15	10.5 / 31
3	4	-13	-20	10.5 / 29 ⁽²⁾	-19	10.0 / 29 ⁽²⁾	-17	9.5 / 29 ⁽²⁾
3	5	-16	-22	9.0 / 27 ⁽²⁾	-21	9.0 / 27 ⁽²⁾	-19	8.0 / 27 ⁽²⁾
3	6	-19	-23	7.0 / 25 ⁽²⁾	-22	7.0 / 25 ⁽²⁾	-20	6.5 / 25 ⁽²⁾
4	2,3	-10	-18	12.0 / 31	-17	11.5 / 31	-15	10.5 / 31
4	4	-13	-20	10.5 / 29 ⁽²⁾	-19	10.0 / 29 ⁽²⁾	-17	9.5 / 29 ⁽²⁾
4	5	-16	-22	9.0 / 27 ⁽²⁾	-21	9.0 / 27 ⁽²⁾	-19	8.0 / 27 ⁽²⁾
4	6	-19	-23	7.0 / 25 ⁽²⁾	-22	7.0 / 25 ⁽²⁾	-20	6.5 / 25 ⁽²⁾

- Note: 1. extended modes (proprietary)
 2. See [Table 6-91](#)

[Table 10-13](#) shows the typical OQPSK offset error vector magnitude (EVM) values according to [\[3\]](#).

Test Conditions: AT86RF215 v.3, T_{OP}= 25°C, V_{DD}= 3.0V, f_{channel} (500MHz band)=490MHz / f_{channel} (900MHz band)=902MHz / f_{channel} (2.4GHz band)=2445MHz

Table 10-13. EVM of MR-OQPSK, legacy OQPSK

Chip Rate [kchip/s]	500MHz band		900MHz band		2.4GHz band	
	IQ Offset EVM [%] P _{RF} = 0dBm	IQ Offset EVM [%] P _{RFmax} = 16dBm	IQ Offset EVM [%] P _{RF} = 0dBm	IQ Offset EVM [%] P _{RFmax} = 14.5dBm	IQ Offset EVM [%] P _{RF} = 0dBm	IQ Offset EVM [%] P _{RFmax} = 14.0dBm
100	2	1	2	1	2	1
200	4	2	4	2	3	2
1000	6	2	5	2	10	2
2000	8	3	8	3	11	3

10.10 Receiver Characteristics

10.10.1 General Receiver Characteristics

Test Conditions: $T_{OP} = 25^{\circ}\text{C}$, $V_{DD} = 3.0\text{V}$

Table 10-14. Receiver Characteristics for the 500MHz Band

Symbol	Parameter	Condition	Min.	Typ.	Max.	Unit
P_{RXmax_05}	Maximum RX input level	fulfills PER limit		-5.0		dBm
NF_{05}	Noise figure			4.3		dB
$P_{SPUR_RX_05}$	Spurious emissions for 500MHz band at maximum RX gain	$30 \dots \leq 1000\text{MHz}$			-57.0	dBm
		$>1 \dots 12.75\text{GHz}$			-47.0	dBm
$IIP3_{05}$	3 rd – order intercept point	At maximum gain Offset freq. interf. 1 = 5MHz Offset freq. interf. 2 = 10MHz		-13.0		dBm
$RSSI_{TOL_05}$	RSSI tolerance	Tolerance within gain steps	-5.0		+5.0	dB
$RSSI_{RANGE_05}$	RSSI dynamic range			117.0		dB
$RSSI_{RES_05}$	RSSI resolution			1		dB
$RSSI_{SENS_05}$	RSSI sensitivity	100kHz signal bandwidth		-117.0		dBm

Table 10-15. Receiver Characteristics for the 900MHz Band

Symbol	Parameter	Condition	Min.	Typ.	Max.	Unit
P_{RXmax_09}	Maximum RX input level	fulfills PER limit		-5.0		dBm
NF_{09}	Noise figure			4.5		dB
$P_{SPUR_RX_09}$	Spurious emissions for 900MHz band at maximum RX gain	$30 \dots \leq 1000\text{MHz}$			-57.0	dBm
		$>1 \dots 12.75\text{GHz}$			-47.0	dBm
$IIP3_{09}$	3 rd – order intercept point	At maximum gain Offset freq. interf. 1 = 5MHz Offset freq. interf. 2 = 10MHz		-11.0		dBm
$RSSI_{TOL_09}$	RSSI tolerance	Tolerance within gain step	-5.0		+5.0	dB
$RSSI_{RANGE_09}$	RSSI dynamic range			117.0		dB
$RSSI_{RES_09}$	RSSI resolution			1		dB
$RSSI_{SENS_09}$	RSSI sensitivity	100kHz signal bandwidth		-117.0		dBm

Table 10-16. Receiver Characteristics for the 2.4GHz Band

Symbol	Parameter	Condition	Min.	Typ.	Max.	Unit
P_{RXmax_24}	Maximum RX input level	fulfills PER limits		-5.0		dBm
NF_{24}	Noise figure			4.3		dB
$P_{SPUR_RX_24}$	Spurious emissions at maximum RX gain	$30 \dots \leq 1000\text{MHz}$			-57.0	dBm
		$>1 \dots 12.75\text{GHz}$			-47.0	dBm
$IIP3_{24}$	3 rd – order intercept point	At maximum gain Offset freq. interf. 1 = 5MHz Offset freq. interf. 2 = 10MHz		-15.0		dBm
$RSSI_{TOL_24}$	RSSI tolerance	Tolerance within gain step	-5.0		+5.0	dB

Symbol	Parameter	Condition	Min.	Typ.	Max.	Unit
RSSI _{RANGE} _24	RSSI dynamic range			117.0		dB
RSSI _{RES_24}	RSSI resolution			1		dB
RSSI _{SENS_24}	RSSI sensitivity	100kHz signal bandwidth		-117.0		dBm

10.10.2 Receiver Sensitivity

Table 10-17 shows the typical receiver sensitivity for MR-FSK PHY modes.

Test Conditions: $T_{OP} = 25^{\circ}\text{C}$, $V_{DD} = 3.0\text{V}$, $f_{channel}(\text{sub-1GHz}) = 868\text{MHz}$ / $f_{channel}(2.4\text{GHz}) = 2440\text{MHz}$, ideal receiver input, clock source=TCXO, BT=2.0.

Table 10-17. Receiver Sensitivity for MR-FSK

Symbol Rate [ksymbol/s]	Modulation	Modulation Index	FEC (NRNSC) and ILV	Receiver Sensitivity sub-1GHz [dBm]	Receiver Sensitivity 2.4GHz [dBm]	Condition/Note
50	2FSK	1	yes	-114	-115	Preamble length 8 octets; PSDU length 250 octets; PER < 10%
50	2FSK	1	no	-109	-110	
100	2FSK	0.5	yes	-109	-110	Preamble length 8 octets; PSDU length 250 octets; PER < 10%
100	2FSK	0.5	no	-103	-104	
100	2FSK	1	yes	-111	-112	Preamble length 8 octets; PSDU length 250 octets; PER < 10%
100	2FSK	1	no	-106	-107	
150	2FSK	0.5	yes	-108	-109	Preamble length 12 octets; PSDU length 250 octets; PER < 10%
150	2FSK	0.5	no	-102	-103	
200	2FSK	0.5	yes	-107	-107	Preamble length 16 octets; PSDU length 250 octets; PER < 10%
200	2FSK	0.5	no	-102	-102	
300	2FSK	0.5	yes	-106	-106	Preamble length 24 octets; PSDU length 250 octets; PER < 10%
300	2FSK	0.5	no	-100	-101	
100	4FSK	1.0	yes	-107	-107	Preamble length 16 octets; PSDU length 250 octets; PER < 10%
100	4FSK	1.0	no	-99	-99	
200	4FSK	1.0	yes	-104	-104	Preamble length 32 octets; PSDU length 250 octets; PER < 10%
200	4FSK	1.0	no	-96	-95	

Table 10-18 shows the typical receiver sensitivity for MR-OFDM PHY modes.

Test Conditions: $T_{OP} = 25^{\circ}\text{C}$, $V_{DD} = 3.0\text{V}$, $f_{channel}(\text{sub-1GHz}) = 868\text{MHz}$ / $f_{channel}(2.4\text{GHz}) = 2440\text{MHz}$, ideal receiver input signal, clock source=TCXO.

Table 10-18. Receiver Sensitivity for MR-OFDM

Option	MCS	PSDU Data Rate [kb/s]	Receiver Sensitivity sub-1GHz [dBm]	Receiver Sensitivity 2.4GHz [dBm]	Condition/Note
1	0	100	-109	-112	PSDU length 250 octets; PER < 10%
1	1	200	-109	-110	
1	2	400	-107	-107	
1	3	800	-104	-105	
1	4 ⁽¹⁾	1200	-101	-102	
1	5 ⁽¹⁾	1600	-97	-98	
1	6 ⁽¹⁾	2400	-92	-93	
2	0	50	-111	-113	
2	1	100	-111	-112	
2	2	200	-108	-109	
2	3	400	-106	-107	
2	4	600	-104	-104	
2	5	800	-101	-102	
2	6 ⁽¹⁾	1200	-96	-96	
3	1	50	-113	-113	
3	2	100	-109	-110	
3	3	200	-107	-108	
3	4	300	-106	-107	
3	5	400	-102	-103	
3	6	600	-97	-98	
4	2	50	-111	-112	
4	3	100	-109	-110	
4	4	150	-108	-109	
4	5	200	-105	-106	
4	6	300	-101	-102	

Notes: 1. extended mode (proprietary)

Table 10-19 shows the typical receiver sensitivity for MR-O-QPSK and legacy O-QPSK PHY modes.

Test Conditions: T_{OP}= 25°C, V_{DD}= 3.0V, f_{channel} (sub-1GHz)=868MHz / f_{channel} (2.4GHz)=2440MHz , ideal receiver input signal, clock source=TCXO

Table 10-19. Receiver Sensitivity for MR-O-QPSK

Chip Rate [kchip/s]	Rate Mode	PSDU Data Rate [kb/s]	Receiver Sensitivity sub-1GHz [dBm]	Receiver Sensitivity 2.4GHz [dBm]	Condition/Note
100	0	6.25	-123	-123	PSDU length 20 octets; PER < 10%
100	1	12.5	-121	-121	
100	2	25	-119	-119	
100	3	50	-117	-117	PSDU length 250 octets; PER < 10%

Chip Rate [kchip/s]	Rate Mode	PSDU Data Rate [kb/s]	Receiver Sensitivity sub-1GHz [dBm]	Receiver Sensitivity 2.4GHz [dBm]	Condition/Note
200	0	12.5	-121	-121	PSDU length 20 octets; PER < 10%
200	1	25	-119	-119	
200	2	50	-116	-116	PSDU length 250 octets; PER < 10%
200	3	100	-115	-115	
1000	0	31.25	-117	-117	PSDU length 20 octets; PER < 10%
1000	1	125	-112	-112	PSDU length 250 octets; PER < 10%
1000	2	250	-110	-110	
1000	3	500	-108	-108	
1000	Leg	250	-103	-103	PSDU length 20 octets; PER < 1%,
1000	Leg	500	-101	-102	PSDU length 20 octets; PER < 1%; Proprietary
2000	0	31.25	-116	-116	PSDU length 20 octets; PER < 10%
2000	1	125	-110	-110	PSDU length 250 octets; PER < 10%
2000	2	250	-108	-109	
2000	3	500	-107	-107	
2000	4	1000	-106	-105	PSDU length 250 octets; PER < 10%; Proprietary
2000	Leg	250	-103	-104	PSDU length 20 octets; PER < 1%
2000	Leg	1000	-96	-96	PSDU length 20 octets; PER < 1%; Proprietary

10.10.3 Adjacent Channel Rejection

Table 10-20 through Table 10-22 show the typical (alternate) adjacent channel rejection values for MR-FSK PHY modes.

Test Conditions: AT86RF215 v.3, $T_{OP}= 25^{\circ}C$, $V_{DD}= 3.0V$, desired signal power 3dB above specified receiver sensitivity [3], desired input signal is a transmitted signal from AT86RF215, interferer is an un-modulated carrier, $f_{channel}=868MHz$, measurements according to [3].

Table 10-20. Adjacent Channel Rejection Values for MR-FSK at sub-1GHz according to [3]

Symbol Rate [ksymbol/s]	Modulation	Modulation Index	ACI/AACI Rejection [dB]	Condition/Note
50	2FSK	1	45/52	Channel spacing 200kHz; PER < 10%
100	2FSK	0.5	41/48	
100	2FSK	1	43/51	Channel spacing 400kHz; PER < 10%
150	2FSK	0.5	42/49	
200	2FSK	0.5	42/ 47	
200	2FSK	1.0	44/ 50	Channel spacing 600kHz; PER < 10%
300	2FSK	0.5	42/49	
100	4FSK	1	41/50	Channel spacing 400kHz; PER < 10%

Test Conditions: AT86RF215 v.3, $T_{OP}= 25^{\circ}C$, $V_{DD}= 3.0V$, desired signal power 3dB above specified receiver sensitivity [3], desired input signal is a transmitted signal from AT86RF215, interferer is an un-modulated carrier, $f_{channel}=2440MHz$, measurements according to [3].

Table 10-21. Adjacent Channel Rejection Values for MR-FSK at 2.4GHz according to [3]

Symbol Rate [ksymbol/s]	Modulation	Modulation Index	ACI/AACI Rejection [dB]	Condition/Note
50	2FSK	1	38/44	Channel spacing 200kHz; PER < 10%
100	2FSK	1	40/45	Channel spacing 400kHz; PER < 10%
150	2FSK	0.5	38/42	
200	2FSK	0.5	35/42	Channel spacing 600kHz; PER < 10%
300	2FSK	0.5	31/41	

Test Conditions: AT86RF215 v.3, $T_{OP}= 25^{\circ}C$, $V_{DD}= 3.0V$, desired signal power 3dB above specified receiver sensitivity [3], desired input signal is a transmitted signal from AT86RF215, interferer is an un-modulated carrier, $f_{channel}=868MHz$, FEC disabled, measurements according to [5].

Table 10-22. Adjacent Channel Rejection Values for MR-FSK at sub-1GHz according to [5]

Symbol Rate [ksymbol/s]	Modulation	Modulation Index	Interference rejection [dB] $df=200/400/600kHz$	Condition/Note
50	2FSK	1	45/52/57	PER < 10%
100	2FSK	0.5	42/48/52	
150	2FSK	0.5	26/41/46	
100	4FSK	1.0	19/42/47	

Table 10-23 shows the typical adjacent channel rejection values for MR-OFDM.

Test Conditions: AT86RF215 v.3, $T_{OP}= 25^{\circ}C$, $V_{DD}= 3.0V$, desired signal power 3dB above specified receiver sensitivity [3], desired input signal is a transmitted signal from AT86RF215, interferer is a modulated signal, $f_{channel}$ (sub-1GHz)=868MHz, $f_{channel}$ (2.4GHz)=2440MHz, measurements according to [3].

Table 10-23. Adjacent Channel Rejection Values for MR-OFDM according to [3]

Option	MCS	PSDU Data Rate [kb/s]	ACI / AACI Rejection sub-1GHz [dB]	ACI / AACI Rejection 2.4GHz [dB]	Condition/Note
1	0	100	24/58	23/51	Channel spacing 1.2MHz; PER < 10%
1	1	200	24/55	23/49	
1	2	400	24/52	22/45	
1	3	800	21/48	20/44	
1	4	1200	12/45	12/41	Channel spacing 1.2MHz; PER < 10%; Proprietary
1	5	1600	13/43	13/41	
1	6	2400	5/42	3/38	
2	0	50	51/62	47/57	Channel spacing 800kHz; PER < 10%
2	1	100	50/60	46/55	
2	2	200	47/57	43/52	
2	3	400	44/54	40/49	
2	4	600	40/51	37/46	
2	5	800	37/48	39/45	Channel spacing 800kHz; PER < 10%; Proprietary
2	6	1200	33/45	32/40	
3	1	50	46/61	29/53	Channel spacing 400kHz; PER < 10%
3	2	100	46/58	29/50	
3	3	200	44/56	29/48	
3	4	300	38/53	29/46	
3	5	400	38/50	28/43	
3	6	600	32/46	25/39	

Option	MCS	PSDU Data Rate [kb/s]	ACI / AACI Rejection sub-1GHz [dB]	ACI / AACI Rejection 2.4GHz [dB]	Condition/Note
4	2	50	19/52	18/47	Channel spacing 200kHz; PER < 10%
4	3	100	19/53	18/45	
4	4	150	18/51	16/41	
4	5	200	18/48	18/40	
4	6	300	14/43	9/35	

The following table shows the typical adjacent channel rejection values for MR-O-QPSK.

Test Conditions: AT86RF215 v.3, $T_{OP}= 25^{\circ}C$, $V_{DD}= 3.0V$, desired signal power 3dB above specified receiver sensitivity [3], interferer is a modulated signal, $f_{channel}$ (sub-1GHz)=868MHz, $f_{channel}$ (2.4GHz)=2440MHz, measurements according to [3].

Table 10-24. Adjacent Channel Rejection Values for MR-O-QPSK

Chip Rate [kchip/s]	Rate Mode	PSDU Data Rate [kb/s]	ACI / AACI Rejection sub-1GHz [dB]	ACI / AACI Rejection 2.4GHz [dB]	Condition/Note
100	0	6.25	59/60	52/55	Channel spacing 200kHz; PER < 10%
100	1	12.5	57/59	50/54	
100	2	25	53/57	47/51	
100	3	50	49/55	43/49	
200	0	12.5	60/68	52/60	Channel spacing 400kHz; PER < 10%
200	1	25	56/65	51/59	
200	2	50	51/60	45/53	
200	3	100	48/55	47/49	
1000	0	31.25	61/>70	52/63	Channel spacing 2MHz; PER < 10%
1000	1	125	60/63	51/58	
1000	2	250	56/64	50/57	
1000	3	500	52/61	43/55	
2000	0	31.25	67/>70	60/>70	Channel spacing 5MHz; PER < 10%
2000	1		61/68	54/63	
2000	2		58/67	55/61	
2000	3	500	56/64	53/59	
2000	4	1000	58/62	49/58	Channel spacing 5MHz; PER < 10%; Proprietary
1000	Leg	250	46/53	40/46	Channel spacing 2MHz; PER < 1%
2000	Leg	250	53/60	47/52	Channel spacing 5MHz; PER < 1%

10.10.4 Blocking

Table 10-25 shows the blocking parameter for MR-FSK PHY modes.

Test Conditions: $T_{OP}= 25^{\circ}C$, $V_{DD}= 3.0V$, desired signal power 3dB above specified receiver sensitivity [3], desired input signal is a transmitted signal from AT86RF215, interferer is generated by a signal generator, $f_{channel}$ (sub-1GHz)=868MHz, measurements according to [6].

Table 10-25. Blocking parameter for MR-FSK according to [6]

Symbol Rate [ksymbol/s]	Modulation	Modulation Index	Blocking at $\pm 2MHz/\pm 10MHz$ [dB]	Condition/Note
50	2FSK	1	61/69	RX bandwidth 160kHz
100	2FSK	0.5	57/65	RX bandwidth 200kHz
100	2FSK	1	58/66	RX bandwidth 320kHz
150	2FSK	0.5	55/63	RX bandwidth 320kHz
200	2FSK	0.5	54/61	RX bandwidth 320kHz
200	2FSK	1.0	56/63	RX bandwidth 500kHz
300	2FSK	0.5	52/59	RX bandwidth 500kHz
100	4FSK	1	48/55	RX bandwidth 320kHz

Table 10-26 shows the blocking parameter for MR-OFDM.

Test Conditions: $T_{OP}= 25^{\circ}C$, $V_{DD}= 3.0V$, desired signal power 3dB above specified receiver sensitivity [3], desired input signal is a transmitted signal from AT86RF215, interferer is generated by a signal generator, $f_{channel}$ (sub-1GHz)=868MHz, measurements according to [6].

Table 10-26. Blocking parameter for MR-OFDM according to [6]

Option	MCS	PSDU Data Rate [kb/s]	Blocking at $\pm 2MHz/\pm 10MHz$ [dB]	Condition/Note
1	0	100	47/65	RX bandwidth 1250kHz
1	1	200	47/65	
1	2	400	47/64	
1	3	800	45/63	
1	4	1200	43/60	
1	5	1600	43/57	
1	6	2400	43/51	
2	0	50	54/70	
2	1	100	54/70	
2	2	200	54/68	
2	3	400	54/66	
2	4	600	53/63	
2	5	800	52/60	
2	6	1200	47/54	
3	1	50	65/72	RX bandwidth 400kHz

Option	MCS	PSDU Data Rate [kb/s]	Blocking at $\pm 2\text{MHz}/\pm 10\text{MHz}$ [dB]	Condition/Note
3	2	100	62/69	
3	3	200	60/67	
3	4	300	58/65	
3	5	400	55/62	
3	6	600	50/57	
4	2	50	64/71	RX bandwidth 250kHz
4	3	100	62/69	
4	4	150	61/68	
4	5	200	57/64	
4	6	300	53/60	

Table 10-27 shows the blocking parameter for MR-O-QPSK.

Test Conditions: $T_{OP} = 25^{\circ}\text{C}$, $V_{DD} = 3.0\text{V}$, desired signal power 3dB above specified receiver sensitivity [3], desired input signal is a transmitted signal from AT86RF215, interferer is generated by a signal generator, $f_{\text{channel}} (\text{sub-}1\text{GHz}) = 868\text{MHz}$, measurements according to [6].

Table 10-27. Blocking parameter for MR-O-QPSK according to [6]

Chip Rate [kchip/s]	Rate Mode	PSDU Data Rate [kb/s]	Blocking at $\pm 2\text{MHz}/\pm 10\text{MHz}$ [dB]	Condition/Note
100	0	6.25	73/80	RX bandwidth 160kHz
100	3	50	70/76	
200	0	12.5	70/77	RX bandwidth 250kHz
200	3	100	67/73	
1000	0	31.25	53/72	RX bandwidth 1000kHz
1000	3	500	49/66	
2000	0	31.25	37/71	RX bandwidth 2000kHz
2000	3	500	37/64	
2000	4	1000	37/63	
1000	Leg	250	46/63	RX bandwidth 1000kHz
2000	Leg	250	34/63	RX bandwidth 2000kHz

10.11 Current Consumption Specifications

Test Conditions: $T_{OP} = 25^{\circ}\text{C}$, $V_{DD} = 3.0\text{V}$, $\text{CLKO} = \text{OFF}$

Table 10-28. Current Consumption Specifications

Symbol	Parameter	Condition	Min.	Typ.	Max.	Unit
I _{DEEP_SLEEP}	Supply current in DEEP_SLEEP state			30		nA
I _{TRXOFF}	Supply current TRXOFF state			3		mA
I _{RX09}	Supply current RX state for Sub-1GHz transceiver	Sub-1GHz transceiver @ RX state and 2.4GHz transceiver @ sleep state MR-2FSK-50ksymbols/s		28		mA
I _{RX09_FSK_RPC1:1}	Supply current RX state for Sub-1GHz transceiver using MR-FSK reduced power consumption mode (RPC) with on:off time = 1:1	Sub-1GHz transceiver @ RX state and 2.4GHz transceiver @ sleep state MR-2FSK 50ksymbols/s MR-FSK RPC with on:off time 1:1 may cause a sensitivity loss of up to 0.5dB		15		mA
I _{RX09_FSK_RPC1:16}	Supply current RX state for Sub-1GHz transceiver using MR-FSK reduced power consumption mode (RPC) with on:off time = 1:16	Sub-1GHz transceiver @ RX state and 2.4GHz transceiver @ sleep state MR-2FSK 50ksymbols/s MR-FSK RPC with on:off time 1:16 may cause a sensitivity loss of up to 1.0dB		5		mA
I _{RX09_OQPSK_RPC}	Supply current RX state for Sub-1GHz transceiver using MR-OQPSK reduced power consumption mode (RPC)	Sub-1GHz transceiver @ RX state and 2.4GHz transceiver @ sleep state MR-OQPSK: Chiprate 100kbit/s, Rate mode 0 MR-OQPSK RPC may cause a sensitivity loss of up to 0.5dB		17		mA
I _{RX24}	Supply current RX state for 2.4GHz transceiver	2.4GHz transceiver @ RX state and Sub-1GHz transceiver @ sleep state MR-2FSK-50ksymbols/s		33		mA
I _{RX24_FSK_RPC1:1}	Supply current RX state for 2.4GHz transceiver using MR-FSK reduced power consumption mode (RPC) with on:off time = 1:1	2.4GHz transceiver @ RX state Sub-1GHz transceiver @ sleep state MR-2FSK 50ksymbols/s MR-FSK RPC with on:off time 1:16 may cause a sensitivity loss of up to 0.5dB		16		mA
I _{RX24_FSK_RPC1:16}	Supply current RX state for 2.4GHz transceiver using MR-FSK reduced power consumption mode (RPC) with on:off time = 1:16	2.4GHz transceiver @ RX state Sub-1GHz transceiver @ sleep state MR-2FSK 50ksymbols/s MR-FSK RPC with on:off time 1:16 may cause a sensitivity loss of up to 1.0dB		5		mA

Symbol	Parameter	Condition	Min.	Typ.	Max.	Unit
I _{RX24_QQPSK_RPC}	Supply current RX state for 2.4GHz transceiver using MR-OQPSK reduced power consumption mode (RPC)	2.4GHz transceiver @ RX state and Sub-1GHz transceiver @ sleep state		18		mA
I _{TX09}	Supply current TX state for Sub-1GHz transceiver see Figure 11-9	Sub-1GHz transceiver @ TX state and 2.4GHz transceiver @ sleep state MR-2FSK 50ksymbols/s f _{channel} =900MHz PAC.TXPWR= 31 PAC.PACUR=2		64		mA
I _{TX24}	Supply current TX state for 2.4GHz transceiver see Figure 11-11	2.4GHz transceiver @ TX state and Sub-1GHz transceiver @ sleep state MR-2FSK 50ksymbols/s f _{channel} =2445MHz PAC.TXPWR= 31 PAC.PACUR=2;		62		mA
I _{IQIF_RX1}	Supply current for RX I/Q interface driver: The current must be added to the RX state current in case one I/Q driver interface is used.	One differential RX data stream RXD and one differential clock RXCLK is running		6		mA
I _{IQIF_RX2}	Supply current for 2 RX I/Q interface drivers: The current must be added to the RX state current in case both I/Q driver interfaces are used.	Two differential RX data stream RXD and one differential clock RXCLK is running		9		mA
I _{IQIF_TX}	Supply current for TX I/Q interface receiver: The current must be added to the TX state current in case the I/Q receive interface is used.	One differential TX data stream TXD and one differential clock TXCLK is running		3		mA
I _{VREG}	Current consumption of AVDD or DVDD voltage regulator		60	80	120	μA

10.12 SPI Timing Characteristics

Test Conditions: T_{OP}= 85°C, V_{DD}= 1.8V, C_{LOAD}=35pF, pad driver strength set to default (unless otherwise stated).

Table 10-29. SPI Timing Characteristics

Symbol	Parameter	Condition	Min.	Typ.	Max.	Unit
f _{SCLK}	SCLK frequency			25		MHz
t _{SPL_0}	SELN falling edge to SCLK rising edge		50			ns
t _{SPL_1}	SELN falling edge to MISO active				25	ns
t _{SPL_2}	SCLK falling edge to MISO out	data delay time C _{LOAD} =35pF and default pad driver strength	5		19	ns
t _{SPL_3}	MOSI setup time		5			ns
t _{SPL_4}	MOSI hold time		5			ns
t _{SPL_5}	LSB last byte to MSB next byte	SPI read/write	125			ns
t _{SPL_6}	SELN rising edge to MISO tri state				10	ns

Symbol	Parameter	Condition	Min.	Typ.	Max.	Unit
t _{SPI_8}	SPI idle time SELN rising to falling edge	SPI read/write, idle time between consecutive SPI access	50			ns
t _{SPI_9}	Last SCLK rising edge to SELN rising edge		45			ns

10.13 I/Q Data Interface Driver DC and Startup Specification

The DC specification for the LVDS driver of the I/Q data interface is given in the following tables. The general measurement conditions are described in [4] on page 231. However, some adaptations are required due to the specific signal levels of the proprietary interface. The parameters are valid for an output current of 2mA (see register [RF_IQIFCO](#) on page 27).

Table 10-30. I/Q Data Interface Driver DC and Startup Specification (proprietary mode)

Symbol	Parameter	Condition	Min.	Typ.	Max.	Unit
V _{oh}	Output voltage, V _{oa} or V _{ob}	R _{load} = 100Ω, +/-1%			385	mV
V _{ol}	Output voltage, V _{oa} or V _{ob}	R _{load} = 100Ω, +/-1%	0			mV
V _{od}	Output differential voltage	R _{load} = 100Ω, +/-1%	100	200	270	mV
V _{os}	Output common mode voltage	R _{load} = 100Ω, +/-1%	80	200	270	mV
R _O	Output impedance single ended	V _{cm} = 300mV, 100mV	40	50	63	Ω
ΔR _O	R _O mismatch between A and B	R _{load} = 100Ω, +/-1%			10	%
ΔV _{od}	Change of V _{od} between "0" and "1"	R _{load} = 100Ω, +/-1%			35	mV
ΔV _{os}	Change in V _{os} between "0" and "1"	R _{load} = 100Ω, +/-1%			35	mV
I _{sa}	Output current	Driver shorted to ground			10	mA
I _{sb}	Output current	Driver shorted to ground			10	mA
I _{sab}	Output current	Driver outputs shorted together.			3	mA
t _{startupD}	Startup time from enable until LVDS is ready to drive				10	μs

Table 10-31. I/Q Data Interface Driver DC and Startup Specification (IEEE mode, reduced range link)

Symbol	Parameter	Condition	Min.	Typ.	Max.	Unit
V _{oh}	Output voltage, V _{oa} or V _{ob}	R _{load} = 100Ω, +/-1%			1375	mV
V _{ol}	Output voltage, V _{oa} or V _{ob}	R _{load} = 100Ω, +/-1%	1025			mV
V _{od}	Output differential voltage	R _{load} = 100Ω, +/-1%		200		mV
V _{os}	Output common mode voltage	R _{load} = 100Ω, +/-1%		1200		mV
R _O	Output impedance single ended	V _{cm} = 300mV, 100mV	40		140	Ω
ΔR _O	R _O mismatch between A and B	R _{load} = 100Ω, +/-1%			10	%
ΔV _{od}	Change of V _{od} between "0" and "1"	R _{load} = 100Ω, +/-1%			35	mV
ΔV _{os}	Change in V _{os} between "0" and "1"	R _{load} = 100Ω, +/-1%			35	mV
I _{sa}	Output current	Driver shorted to ground			10	mA
I _{sb}	Output current	Driver shorted to ground			10	mA
I _{sab}	Output current	Driver outputs shorted together.			3	mA
t _{startupD}	Startup time from enable until LVDS is ready to drive				10	μs

10.14 I/Q Data Interface Receiver DC and Startup Specification

The DC specification for the LVDS receiver of the I/Q data interface is given in the following tables. The general measurement conditions are described in [4] on page 231. However, some adaptations are required due to the specific signal levels of the proprietary interface. See Figure 4-9 on page 23 for the definition of V_{gdp} (voltage difference of ground potentials).

Table 10-32. I/Q Data Interface Receiver DC and Startup Specification (proprietary mode)

Symbol	Parameter	Condition	Min.	Typ.	Max.	Unit
V_i	Input voltage, V_{ia} or V_{ib}	$ V_{gdp} < 50\text{mV}$ (driver receiver ground potential difference)	0		435	mV
V_{idth}	Input differential threshold	$ V_{gdp} < 50\text{mV}$	-70		70	mV
V_{hyst}	Input differential voltage		25			mV
R_{in}	Receiver differential input impedance		80	100	125	Ω
$t_{startupR}$	Startup time from enable until LVDS is ready to receive				1	μs

Table 10-33. I/Q Data Interface Receiver DC and Startup Specification (IEEE mode, reduced range link)

Symbol	Parameter	Condition	Min.	Typ.	Max.	Unit
V_i	Input voltage, V_{ia} or V_{ib}	$ V_{gdp} < 50\text{mV}$ (driver receiver ground potential difference)	825		1575	mV
V_{idth}	Input differential threshold	$ V_{gdp} < 50\text{mV}$	-100		100	mV
V_{hyst}	Input differential voltage		25			mV
R_{in}	Receiver differential input impedance		80	100	125	Ω
$t_{startupR}$	Startup time from enable until LVDS is ready to receive				1	μs

10.15 I/Q Data Interface Driver AC Specification

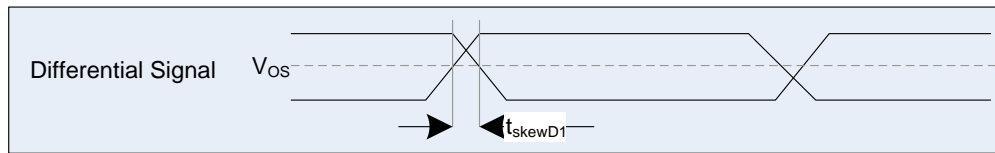
The following tables summarize the dynamic parameters of the LVDS driver of the I/Q data interface. The reference of skew value is the RXCLK channel (see also section "Characteristics and Timing" on page 23). AC parameter for proprietary and IEEE mode are identical.

Table 10-34. I/Q Data Interface Driver AC Specification

Symbol	Parameter	Condition	Min.	Typ.	Max.	Unit
Clock	RXCLK duty cycle	$f = 64\text{MHz}$	45	50	55	%
t_{fall}	V_{od} fall time 20..80%	$Z_{load} = 100\Omega$, +/-1 %			2.3	ns
t_{rise}	V_{od} rise time 20..80%	$Z_{load} = 100\Omega$, +/-1 %			2.3	ns
t_{skewD1}	Differential skew	any differential pair			200	ps
t_{skewD2}	LVDS data channel to LVDS data channel skew	Data to data			500	ps
t_D CLK-DATA_ RX	Delay clock to data for RXD09/RXD24 outputs	SKEWDRV=0x0, 1.906ns	0.5	1.9	3.1	ns
		SKEWDRV=0x1, 2.906ns	1.9	2.9	3.9	ns
		SKEWDRV=0x2, 3.906ns (default)	2.9	3.9	4.9	ns
		SKEWDRV=0x3, 4.906ns	3.9	4.9	5.9	ns

Symbol	Parameter	Condition	Min.	Typ.	Max.	Unit
t_{jitter}	RXCLK jitter				100	ps

Figure 10-1. Definition of t_{skewD1}



10.16 I/Q Data Interface Receiver AC Specification

The following table shows the AC parameter of the LVDS receiver of the I/Q data interface.

Table 10-35. I/Q Data Interface Receiver AC Specification

Symbol	Parameter	Condition	Min.	Typ.	Max.	Unit
t_{skewR1}	Skew tolerable at receiver input to meet setup and hold time requirements	Data channel to clock channel	-1		2	ns

10.17 Digital Block Timing Specification

The following table shows the timing of digital units.

Table 10-36. Digital Blocks Timing

Symbol	Parameter	Condition	Min.	Typ.	Max.	Unit
t_{RND}	Update time of random number value	Transceiver must operate in state RX.			1	μs

11. Typical Characteristics

11.1 Output Power at Several Modulations

RMS output power is measured at device pins. Measurements are performed under typical conditions (DEVDD/EVDD=3.0V, Temp=25degC), RFn_PAC.PACUR=0x3.

Figure 11-1. Output power vs. RF09_PAX.TXPWR register for several modulations at $f_{\text{channel}}=500\text{MHz}$

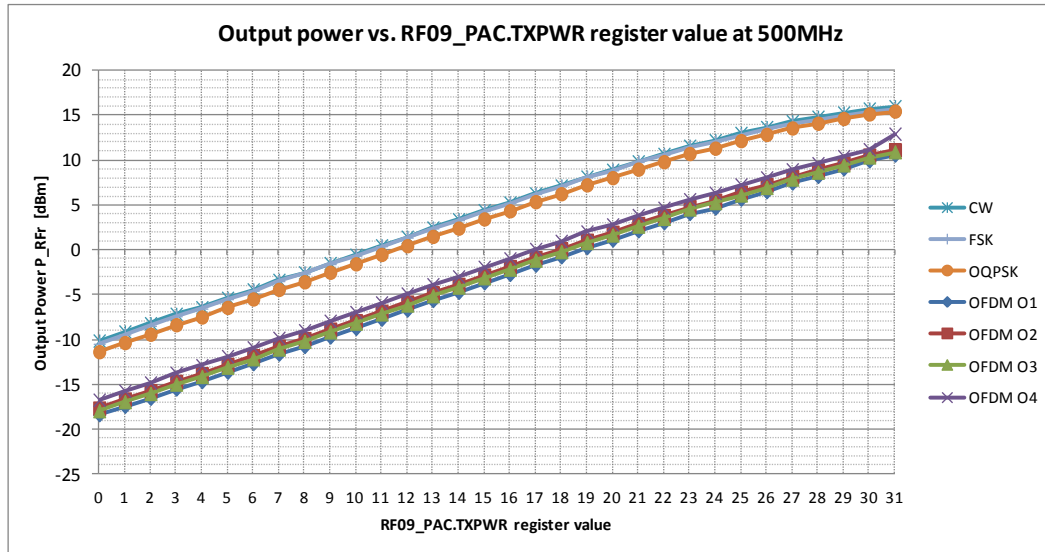


Figure 11-2. Output power vs. RF09_PAX.TXPWR register for several modulations at $f_{\text{channel}}=900\text{MHz}$

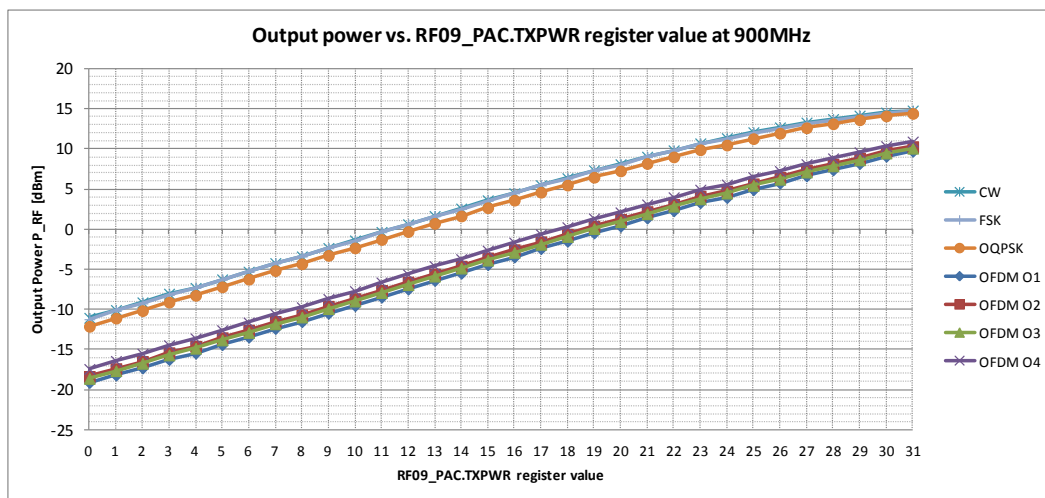
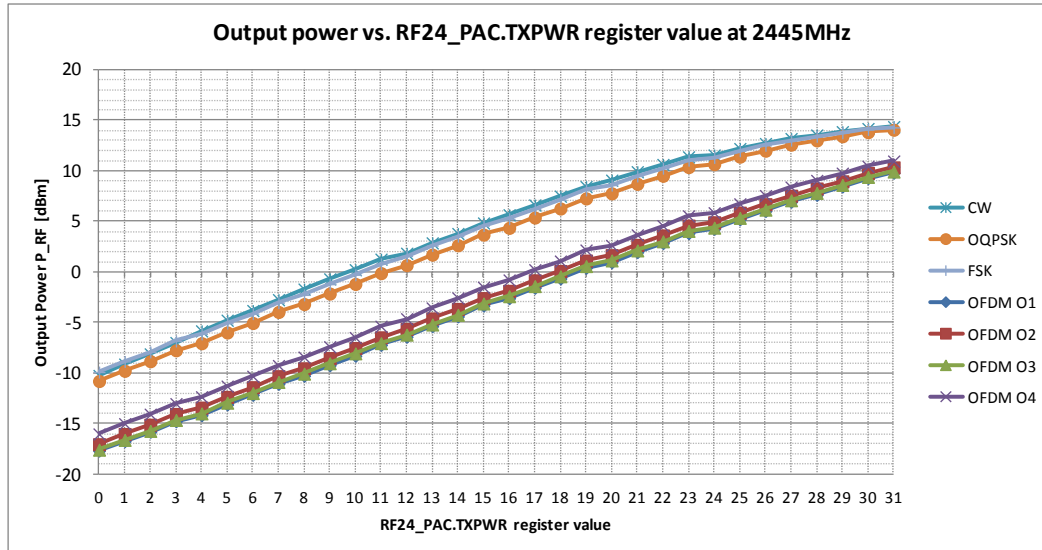


Figure 11-3. Output power vs. RF24_PAX.TXPWR register for several modulations at $f_{\text{channel}}=2445\text{MHz}$



11.2 Output Power versus Supply Voltage

Figure 11-4. Maximum output power vs. supply voltage at $f_{\text{channel}}=500\text{MHz}$ for 2FSK-50ksymbols/s

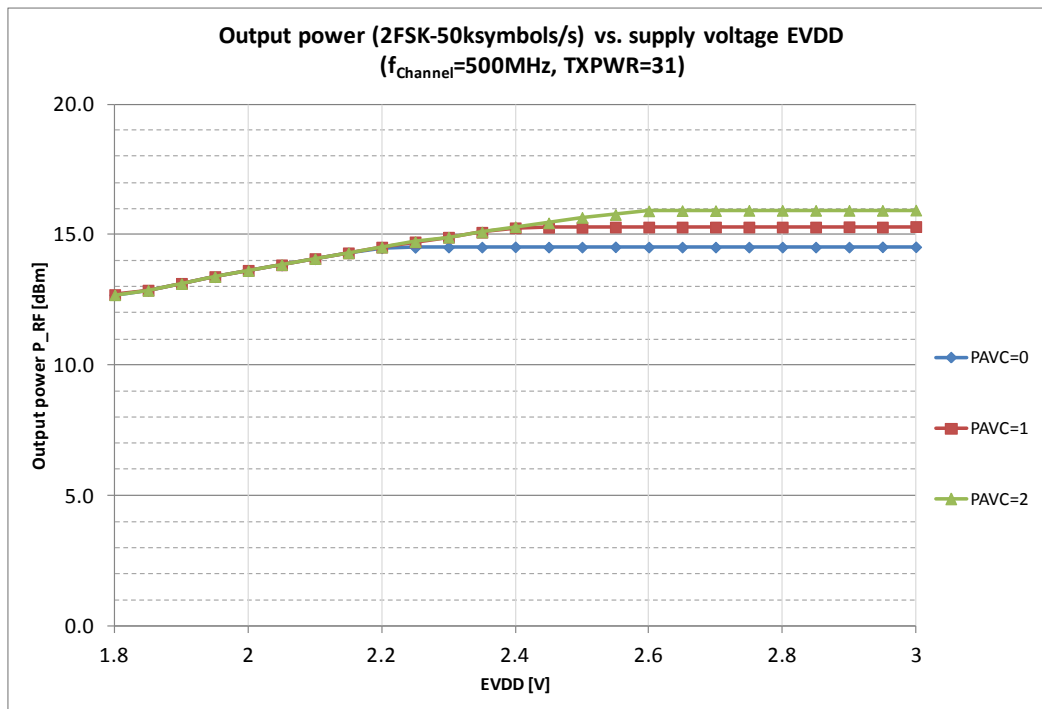


Figure 11-5. Maximum output power vs. supply voltage at $f_{\text{channel}}=900\text{MHz}$ for 2FSK-50ksymbols/s

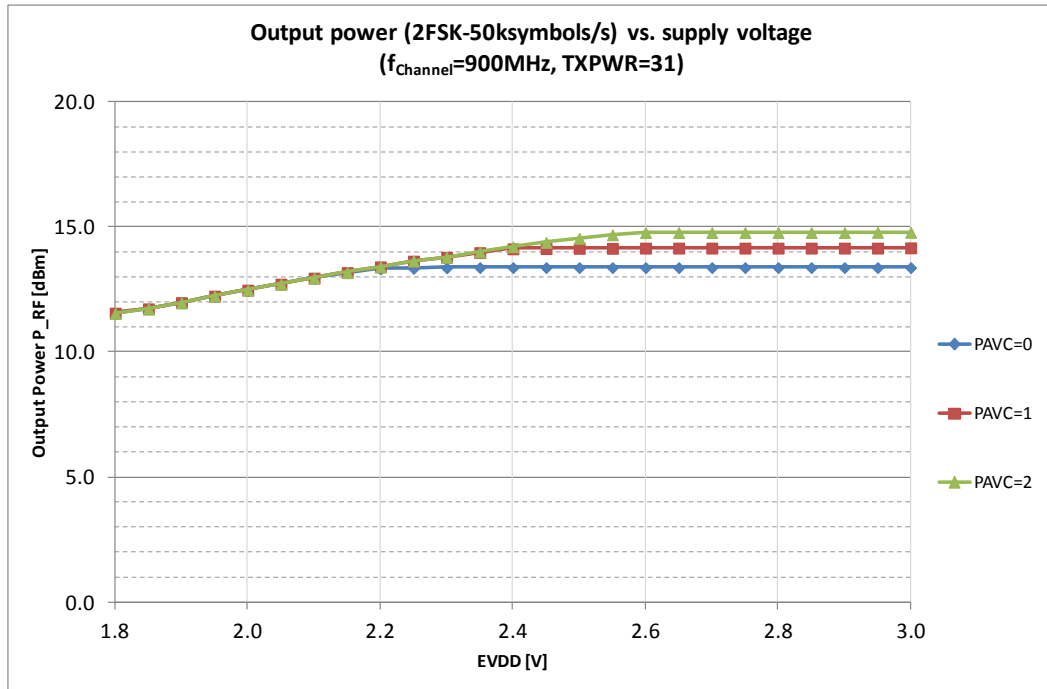
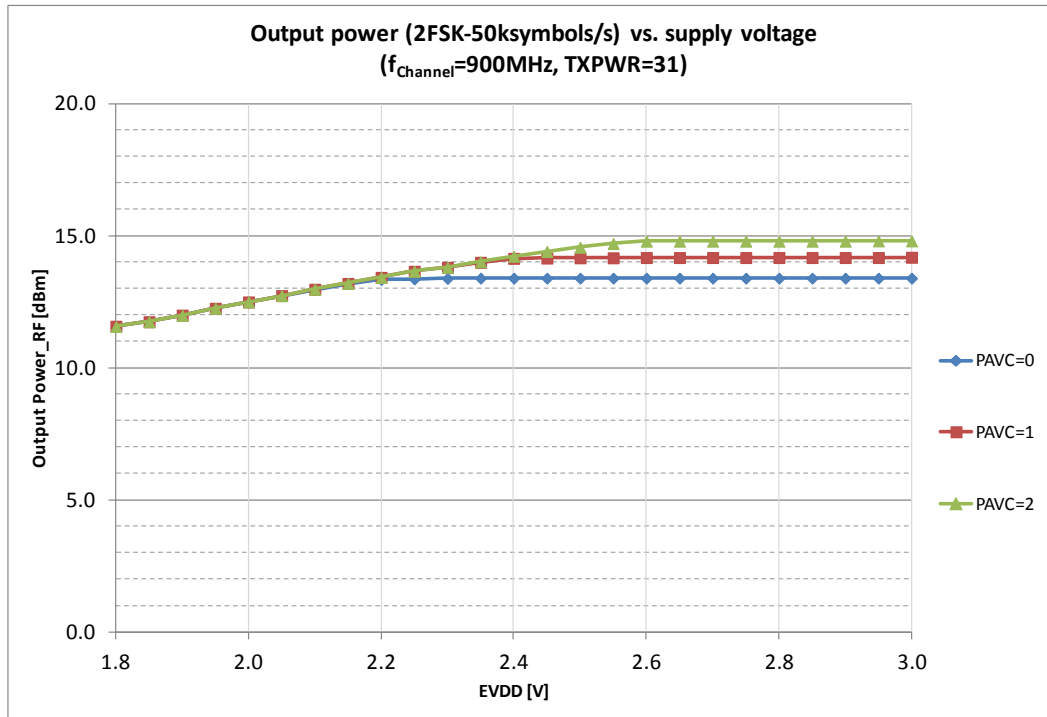


Figure 11-6. Maximum output power vs. supply voltage at $f_{\text{channel}}=2445\text{MHz}$ for 2FSK-50ksymbols/s



11.3 TX Current Consumption and Output Power at PAC.PACUR settings

Figure 11-7. Current consumption vs. PAC.TXPWR at PA current settings (PAC.PACUR) for 2FSK-50ksymbols/s at 500MHz band

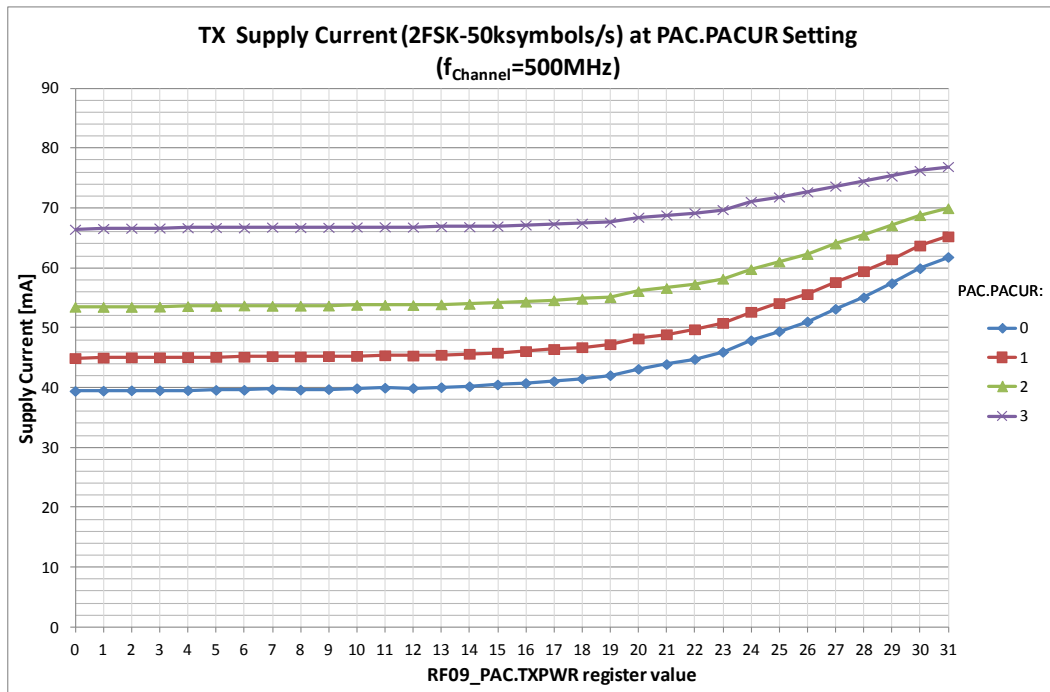


Figure 11-8. Output power vs. PAC.TXPWR at PA current settings (PAC.PACUR) for 2FSK-50ksymbols/s at 500MHz band

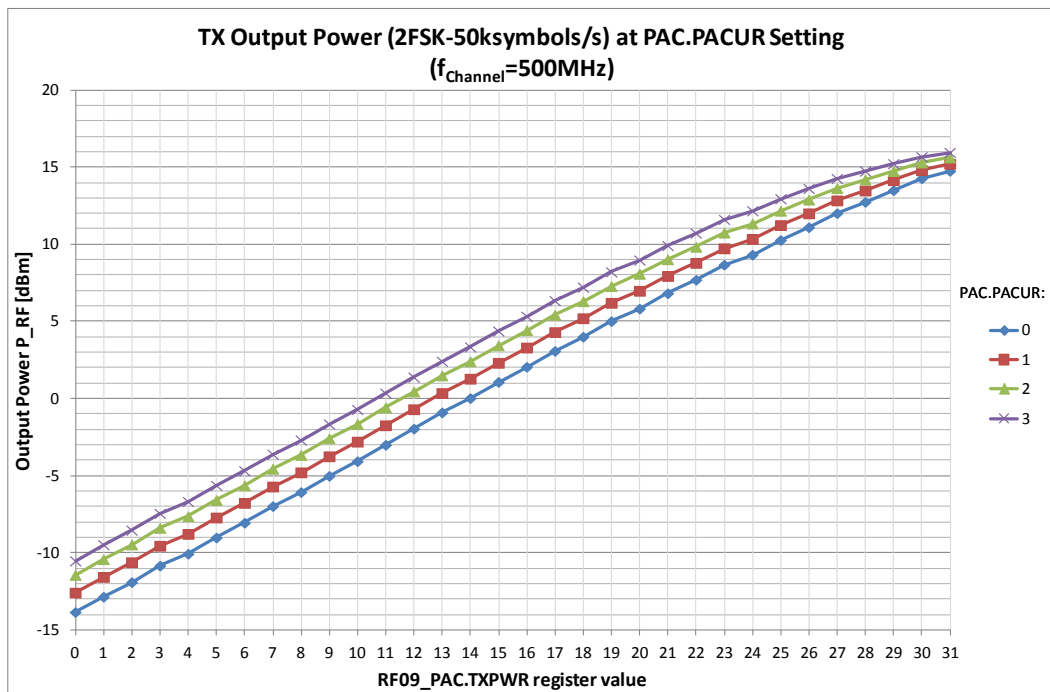


Figure 11-9. Current consumption vs. PAC.TXPWR at PA current settings (PAC.PACUR) for 2FSK-50ksymbols/s at 900MHz band

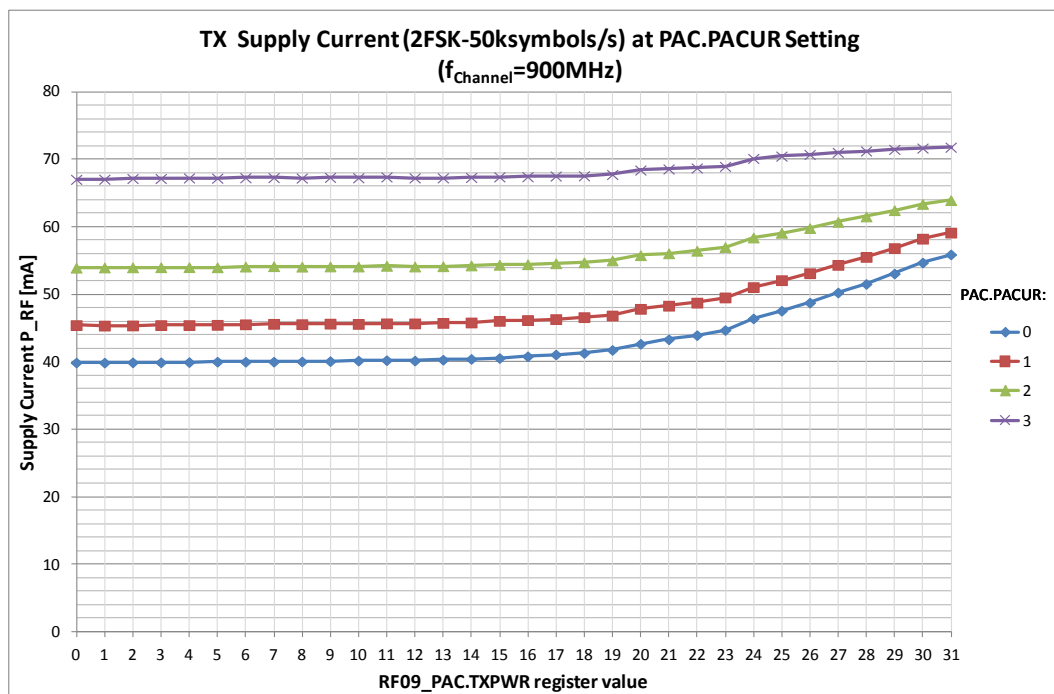


Figure 11-10. Output power vs. PAC.TXPWR at PA current settings (PAC.PACUR) for 2FSK-50ksymbols/s at 900MHz band

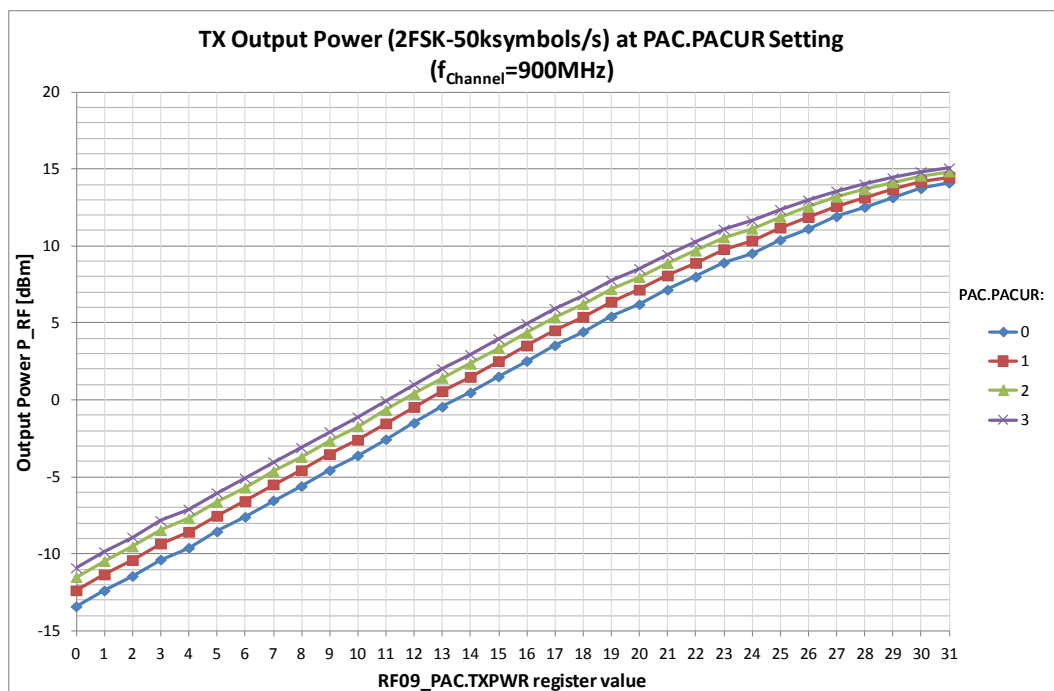


Figure 11-11. Current consumption vs. PAC.TXPWR at PA current settings (PAC.PACUR) for 2FSK-50ksymbols/s at 2.4GHz band

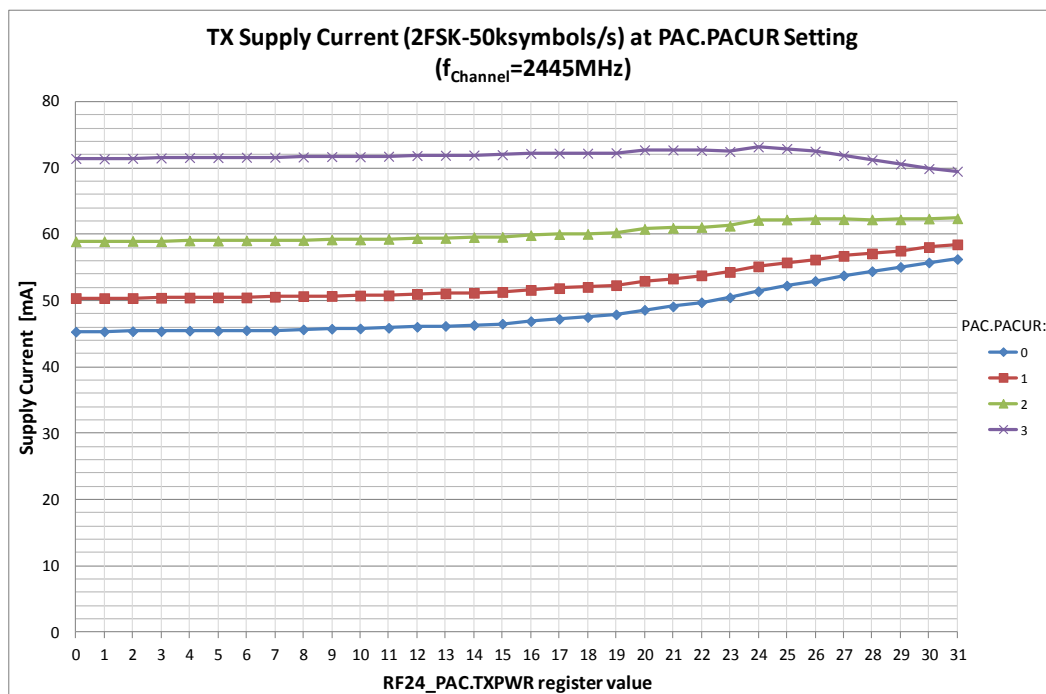
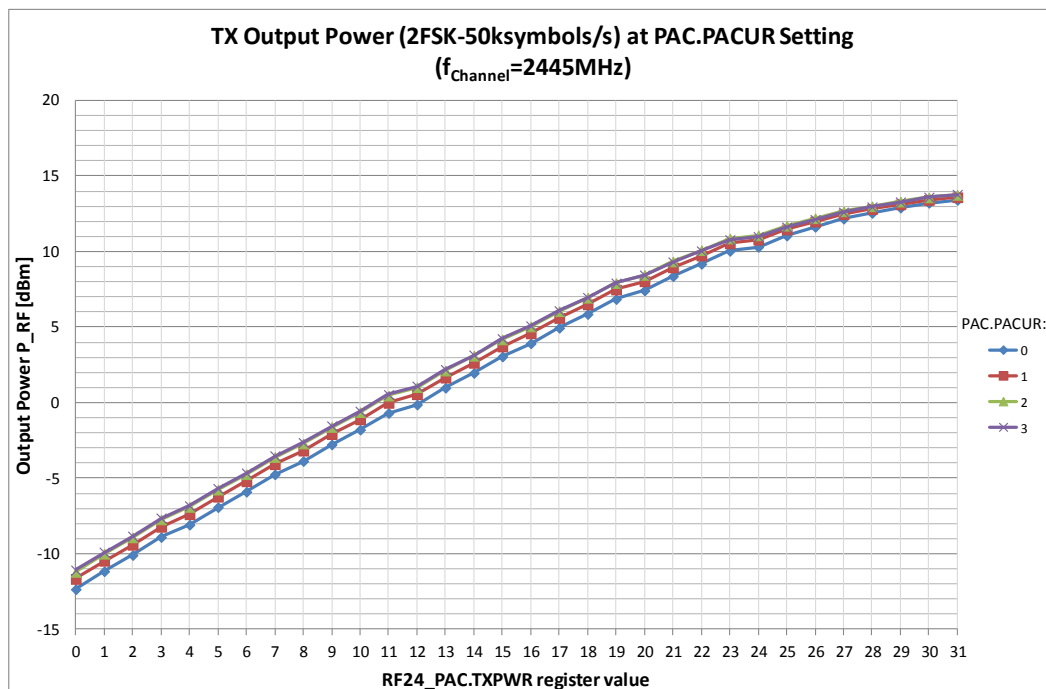
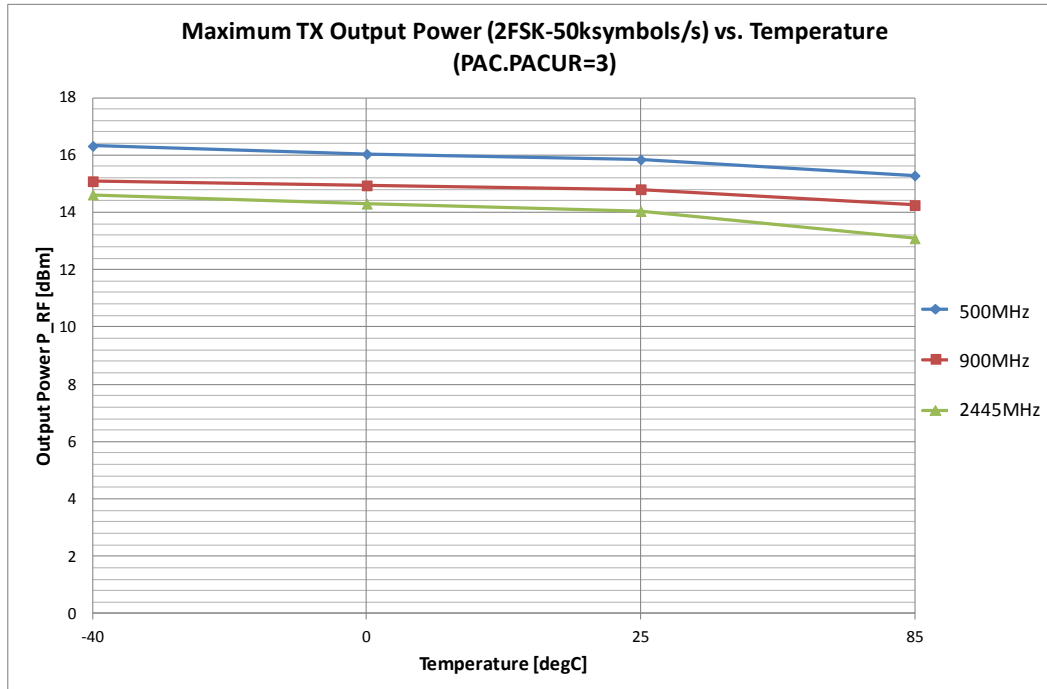


Figure 11-12. Output power vs. PAC.TXPWR at PA current settings (PAC.PACUR) for 2FSK-50ksymbols/s at 2.4GHz band



11.4 TX Output Power at Temperature Sweep

Figure 11-13. Maximum TX output power vs. temperature for 2FSK-50ksymbols/s



11.5 TX Output Power at Frequency Sweep

Figure 11-14. Maximum TX output power vs. frequency for 2FSK-50ksymbols/s at 500MHz band

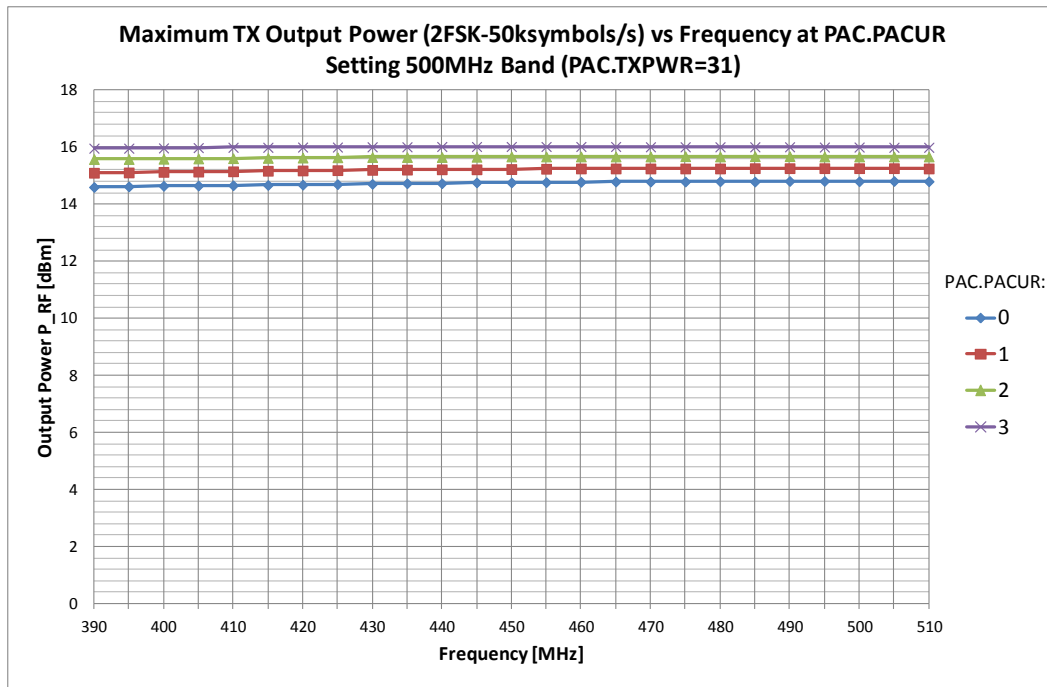


Figure 11-15. Maximum TX output power vs. frequency for 2FSK-50ksymbols/s at 900MHz band

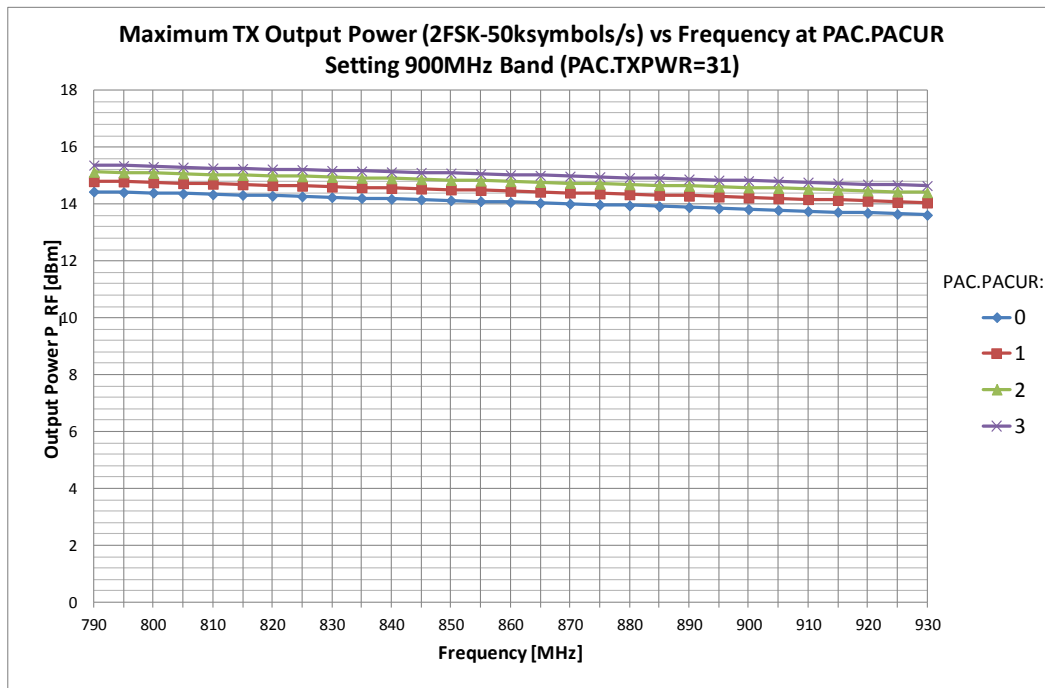
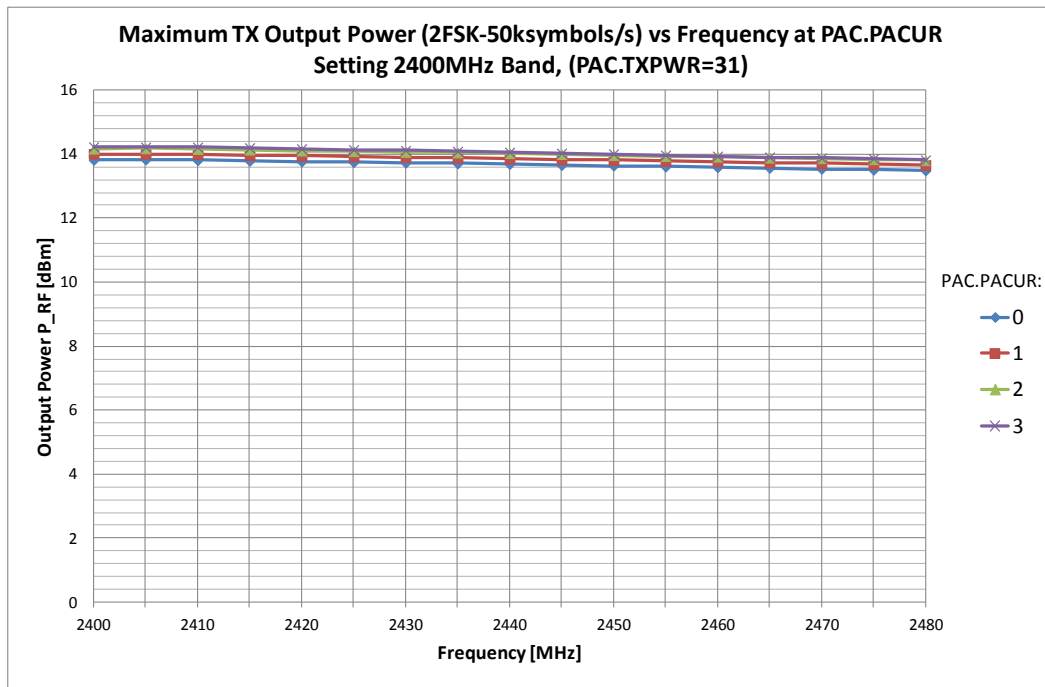


Figure 11-16. Maximum TX output power vs. frequency for 2FSK-50ksymbols/s at 2400MHz band



11.6 Receiver Sensitivity

Figure 11-17. Receiver sensitivity vs. frequency for selected modulations (900MHz band)

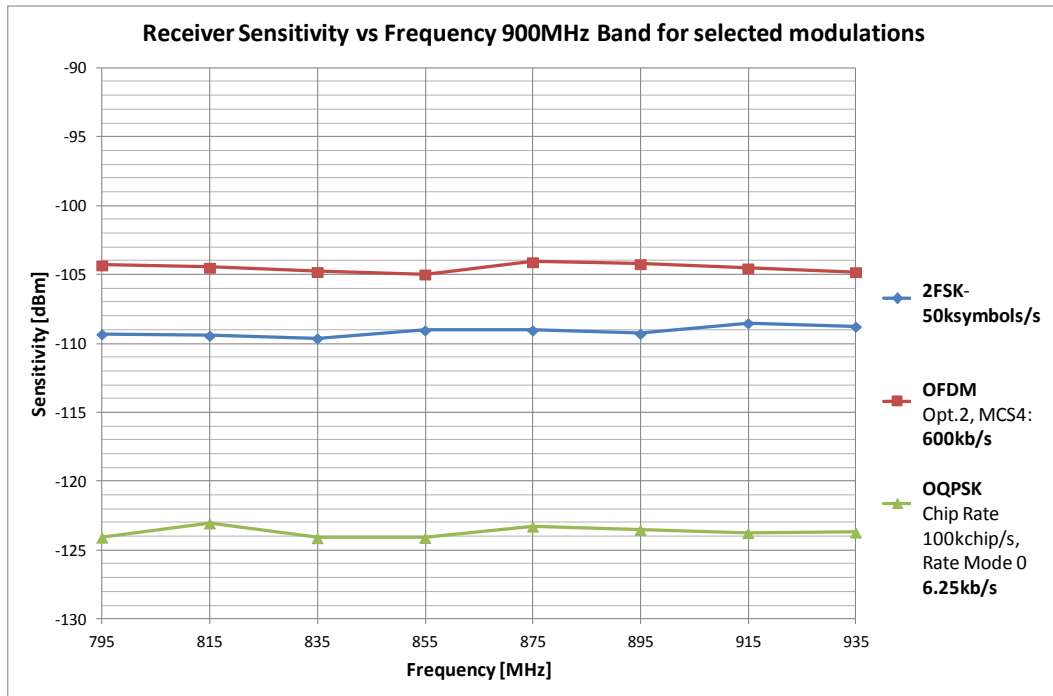
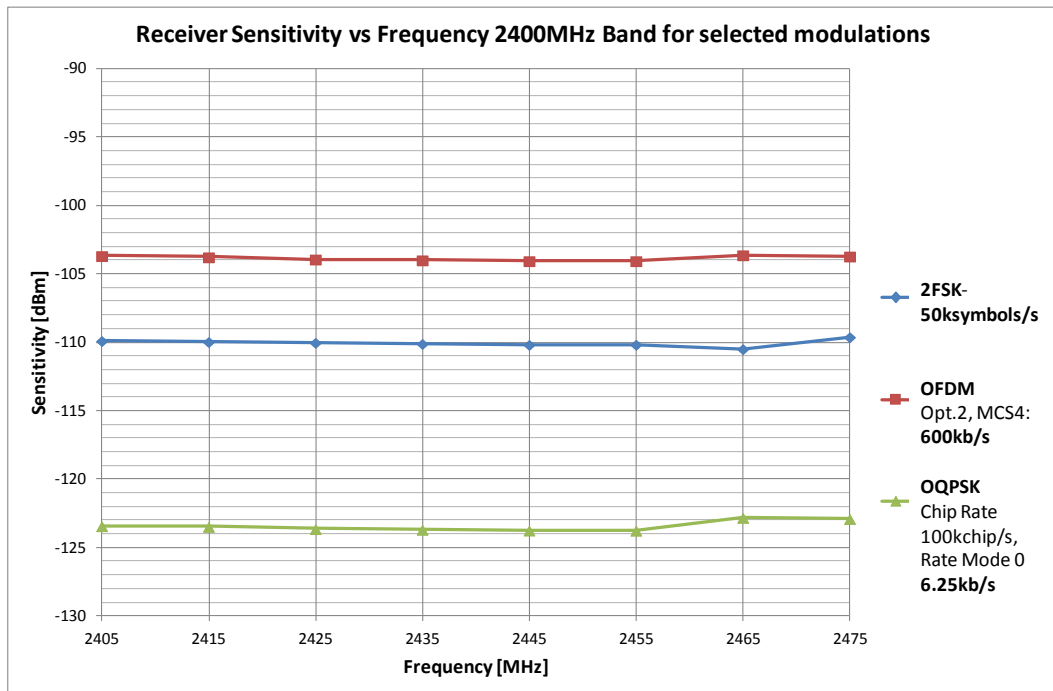
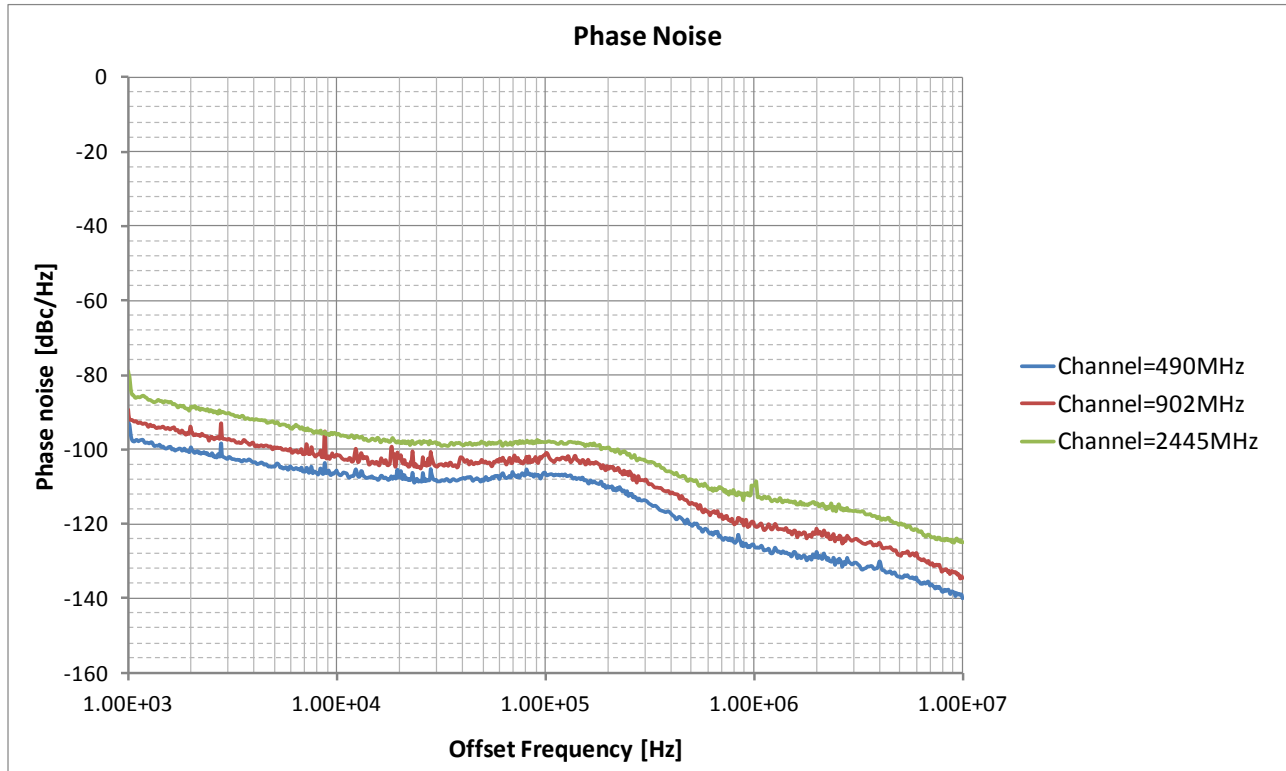


Figure 11-18. Receiver sensitivity vs. frequency for selected modulations (2400MHz band)



11.7 Frequency Synthesizer (PLL)

Figure 11-19. PLL phase noise



12. Acronyms and Abbreviations

Table 12-1 contains acronyms and abbreviations used in this document.

Table 12-1. Acronyms and Abbreviations

Abbreviations	Description
AACI	Alternate Adjacent Channel Interference Tolerance
ACI	Adjacent Channel Interference Tolerance
ACK	Acknowledgement
ADC	Analog-to-Digital Converter
AGC	Automatic Gain Control
AVREG	Analog Voltage Regulator
AWGN	Additive White Gaussian Noise
BATMON	Battery Monitor
BPF	Band-Pass Filter
BPSK	Binary Phase Shift Keying
CCA	Clear Channel Assessment
CRC	Cyclic Redundancy Check
CW	Continuous Wave
DAC	Digital-to-Analog Converter
DDR	Double Data Rate
DVREG	Digital Voltage Regulator
ED	Energy Detect
ESD	Electrostatic Discharge
EVM	Error Vector Magnitude
FCF	Frame Control Field
FCS	Frame Check Sequence
FEC	Forward Error Correction
FSK	Frequency Shift Keying
FTN	Filter Tuning Network
HCS	Header Check Sequence
I/O	Input/Output
I/Q	In/Quadrature-Phase
I/Q IF	I/Q Interface
IC	Integrated Circuit
IEEE	Institute of Electrical and Electronic Engineers
IF	Intermediate Frequency
IRQ	Interrupt Request
ISM	Industrial Scientific Medical
LNA	Low-Noise Amplifier

Abbreviations	Description
LPF	Low-Pass Filter
LSB	Least Significant Bit
LVDS	Low-Voltage Differential-Signalling
MAC	Medium Access Control
MFR	MAC Footer
MHR	MAC Header
MISO	Master Input, Slave Output
MOSI	Master Output, Slave Input
MR-OFDM	Multi-Rate and multi-regional Orthogonal Frequency Division Multiplexing
MR-O-QPSK	Multi-Rate and multi-regional Offset Quadrature Phase-Shift Keying
MSB	Most Significant Bit
MSDU	MAC Service Data Unit
O-QPSK	Offset Quadrature Phase Shift Keying
PA	Power Amplifier
PAN	Personal Area Network
PCB	Printed Circuit Board
PER	Packet Error Rate
PHR	PHY Header
PHY	Physical Layer
PLL	Phase-Locked Loop
PPDU	PHY Protocol Data Unit
PRBS	Pseudo Random Binary Sequence
PSD	Power Spectrum Density
PSDU	PHY Service Data Unit
QAM	Quadrature Amplitude Modulation
QFN	Quad Flat No-Lead Package
RBW	Resolution Bandwidth
RC	Raised Cosine
RF	Radio Frequency
RPC	Reduced Power Consumption
RSSI	Received Signal Strength Indicator
RX	Receiver
RXFE	Receiver Front End
SFD	Start-Of-Frame Delimiter
SHR	Synchronization Header
SLVDS	Scaleable LVDS
SPI	Serial Peripheral Interface
SUN	Smart metering utility network
TRX	Transceiver
TX	Transmitter

Abbreviations	Description
TXFE	Transmitter Frontend
XOSC	Crystal Oscillator

13. Appendix

13.1 Continuous Transmission

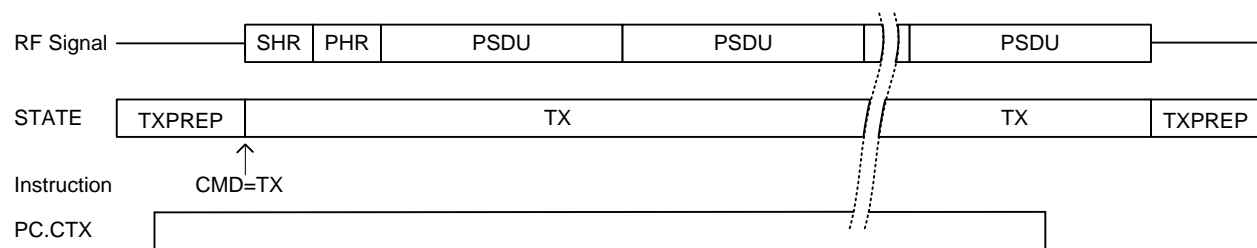
13.1.1 Frame Based Continuous Transmission

The AT86RF215 comprises a frame based continuous transmit mode. This is useful for application / production tests as well as certification tests. Using this mode, the transceiver acts as a continuous transmitter.

The continuous transmission is enabled if the sub-register `PC.CTX` is set to 1. Prior to transmission, the AT86RF215 must be in state TXPREP, see section "State Machine" on page 33. A frame transmission, started by `CMD.CMD=TX` with enabled continuous transmit mode (`PC.CTX`), transmits synchronization header (SHR), PHY header (PHR) and repeatedly PHY payload (PSDU). The current PHY settings are used; the length of the PHY payload is configured by the concatenation of the registers `BBCn_TXFLH` and `BBCn_TXFLL`. If the sub-register `PC.TXAFCS` is set to 1, the last PHY payload octets are replaced by the calculated FCS (see "Frame Check Sequence" on page 138).

The transmission proceeds as long as the sub-register `PC.CTX` remains 1. If the sub-register `PC.CTX` is set to 0, the transmission stops once the current PSDU transmission is completed (Figure 13-1). The AT86RF215 enters state TXPREP afterwards (see "State TXPREP" on page 35).

Figure 13-1. Continuous Transmission Sequence



While in continuous TX mode, the transmit frame buffer is read out cyclically by the baseband core. Pad bits (as described in [3] for MR-OFDM and MR-O-QPSK) are only inserted in the last PSDU transmit cycle.

Alternatively, this transmit mode can be stopped immediately if the command `TRXOFF` is written to the sub-register `CMD.CMD=TRXOFF`.

Table 13-2 shows the required register modifications for continuous transmit.

13.1.2 DAC Value Overwrite

The AT86RF215 comprises a DAC (digital to analog converter) value overwrite functionality. Each transceiver contains two transmitter DACs (for the in-phase and quadrature-phase signal) in order to transmit IQ signals. Both DAC values can be overwritten separately by register settings. This feature is useful to transmit an LO carrier which is necessary for certain certifications.

If the sub-register `TXDACI.ENTXDACID` is set to 1, the digital input value of the in-phase signal DAC is overwritten with the value of the sub-register `TXDACI.TXDACID`. Respective, if the sub-register `TXDACQ.ENTXDACQD` is set to 1, the digital input value of the quadrature-phase signal DAC is overwritten with the value of the sub-register `TXDACQ.TXDACQD`.

Both sub-registers [TXDACI.TXDACID](#) and [TXDACQ.TXDACQD](#) contain seven bit binary values in the range from 0x00 to 0x7E. A value of 0x3F results in a zero signal output magnitude of the respective DAC. A value of 0x00 results in the minimum signal output of the respective DAC, a value of 0x7E results in the maximum output signal of the respective DAC.

If the transceiver is in state TX and both DAC values are overwritten, the transceiver transmits an LO carrier of the frequency selected by the "[Frequency Synthesizer \(PLL\)](#)" on page 62.

To start a continuous transmission of a LO carrier, the transmitter is started as described in [Frame Based Continuous Transmission](#). Alternatively, the transmitter can be started using chip mode 1 if sub-register [IQIFC1.CHPM](#) is set to 0x01. In this case the transmitter is started by command TX.

[Table 13-1](#) describes the recommended scenario for DAC value overwrite, [Table 13-2](#) shows the required register modifications for continuous transmit for RF215 and RF215IQ.

Table 13-1. Recommended DAC Value Overwrite Scenario

TXDACI.TXDACID	TXDACQ.TXDACQD	Comment
0x7E	0x3F	The in-phase DAC has the maximum signal magnitude, the quadrature-phase DAC has the minimum signal magnitude. During transmit a carrier with output power, respective to sub-register PAC.TXPWR is transmitted.

Table 13-2. Required Register Settings for Continuous Transmit

RF215 (frame based)	RF215 (DAC overwrite)	RF215IQ (DAC overwrite)
IQIFC1.CHPM = 0	IQIFC1.CHPM = 0	IQIFC1.CHPM = 1
PC.CTX = 1	PC.CTX = 1	
Configure PHY mode	Configure PHY mode	
{ BBCn_TXFLH , BBCn_TXFLL } = 1..2047	{ BBCn_TXFLH , BBCn_TXFLL } = 1..2047	
	TXDACI.TXDACID = 0x7E	TXDACI.TXDACID = 0x7E
	TXDACQ.TXDACQD = 0x3F	TXDACQ.TXDACQD = 0x3F
	TXDACI.ENTXDACID = 1	TXDACI.ENTXDACID = 1
	TXDACQ.ENTXDACQD = 1	TXDACQ.ENTXDACQD = 1
CMD.CMD = TX	CMD.CMD = TX	CMD.CMD = TX

13.1.3 Register Description

13.1.3.1 BBCn_PC – PHY Control

This register configures the baseband PHY.

Bit	7	6	5	4	3	2	1	0	
	CTX	FCSFE	FCSOK	TXAFCS	FCST	BBEN	PT		BBCn_PC
Read/Write	RW	RW	R	RW	RW	RW	RW	RW	
Initial Value	0	1	0	1	0	1	0	0	

- **Bit 7 – PC.CTX: Continuous Transmit**

This sub-register enables the continuous transmit mode.

Table 13-3. CTX

Sub-register	Value	Description
CTX	0x0	Continuous transmission disabled
	0x1	Continuous transmission enabled

13.1.3.2 RFn_TXDACI – In-phase input value for TXDAC

Input I value can be applied at TXDAC (DC measurement)

Bit	7	6	5	4	3	2	1	0	
	ENTXDAC ID	TXDACID							RFn_TXDACI
Read/Write	RW	RW	RW	RW	RW	RW	RW	RW	RW
Initial Value	0	0	0	0	0	0	0	0	0

- **Bit 7 – TXDACI.ENTXDACID: Enable input to TXDAC**
- **Bit 6:0 – TXDACI.TXDACID: Input to TXDAC data**

13.1.3.3 RFn_TXDACQ – Quadrature-phase input value for TXDAC

Input Q value can be applied at TXDAC (DC measurement)

Bit	7	6	5	4	3	2	1	0	
	ENTXDAC QD	TXDACQD							RFn_TXDACQ
Read/Write	RW	RW	RW	RW	RW	RW	RW	RW	RW
Initial Value	0	0	0	0	0	0	0	0	0

- **Bit 7 – TXDACQ.ENTXDACQD: Enable input to TXDAC**
- **Bit 6:0 – TXDACQ.TXDACQD: Input to TXDAC data**

14. Ordering Information

Ordering Code	Carrier Type	Package	Voltage Range	Temperature Range
AT86RF215-ZU	Tray	PQ (Lead-free/Halogen-free)	(1.8 - 3.6)V	Industrial (-40C to +85C)
AT86RF215-ZUR	Tape & Reel	PQ (Lead-free/Halogen-free)	(1.8 - 3.6)V	Industrial (-40C to +85C)
AT86RF215IQ-ZU	Tray	PQ (Lead-free/Halogen-free)	(1.8 - 3.6)V	Industrial (-40C to +85C)
AT86RF215IQ-ZUR	Tape & Reel	PQ (Lead-free/Halogen-free)	(1.8 - 3.6)V	Industrial (-40C to +85C)
AT86RF215M-ZU	Tray	PQ (Lead-free/Halogen-free)	(1.8 - 3.6)V	Industrial (-40C to +85C)
AT86RF215M-ZUR	Tape & Reel	PQ (Lead-free/Halogen-free)	(1.8 - 3.6)V	Industrial (-40C to +85C)

Note: Pb-free packaging, complies to European Directive for Restriction of Hazardous Substances (RoHS directive).
Also Halide free and fully Green

Note: Minimum Tape&Reel quantity: 4000

15. Errata

15.1 Errata Overview

Table 15-1. Errata Overview

Device	Version	Applicable Errata Numbers
AT86RF215	v.1	1, 2, 3, 4, 5, 6, 7, 8, 10
	v.3	no known errata
AT86RF215M	v.1	1, 2, 3, 4, 5, 6, 7, 8, 9, 10
	v.3	9
AT86RF215IQ	v.1	1, 2, 6, 8
	v.3	no known errata

15.2 Errata AT86RF215 Description

15.2.1 Errata #1: Low transmitter LO leakage calibration

Description: During state transition from TRXOFF to TXPREP the LO leakage calibration is automatically executed and the derived calibration values are stored to the corresponding registers; i.e. [TXCI.DCOI](#) and [TXCQ.DCOQ](#). The automatic LO leakage calibration loop has a failure rate of about 3%.

Software workaround:

Step 1: Generate/Calculate correct calibration values

During device initialization or significant environment changes, identify the correct calibration values for each used frequency band. Generate calibration values:

- Initiate automatic calibration loop from state TRXOFF by writing command TXPREP to register RFn_CMD.
- Wait until state TRXRDY is reached
- Read the calibration values from registers RFn_TXCI_DCOI and RFn_TXCQ_DCOQ

Repeat above procedure five times and calculate the median value for TXCI and TXCQ

Step 2: Apply correct calibration values

After a state transition from TRXOFF to TXPREP write the derived median calibration values from step 1 to the corresponding sub-registers [TXCI.DCOI](#) and [TXCQ.DCOQ](#).

Note that a state transition from the state TRXOFF to RX passed internally the state TXPREP. Therefore after the state transition (from the state TRXOFF to RX) step 2 is applicable after reaching state RX as well.

15.2.1.1 RFn_TXCI – Transmit calibration I path

The register contains information about the TX LO leakage calibration value of the transmit I path. At the transition process from state TRXOFF to TX the calibration is started automatically.

Bit	7	6	5	4	3	2	1	0		
	-		DCOI							RfN_TXCI
Read/Write	RW	R	RW	RW	RW	RW	RW	RW		
Initial Value	0	0	0	1	1	1	1	1		

- **Bit 5:0 – TXCI.DCOI: DC offset calibration value I path**

The value of the LO leakage calibration of the transmit I path is captured.

15.2.1.2 RfN_TXCQ – Transmit calibration Q path

The register contains information about the TX LO leakage calibration value of the transmit Q path. At the transition process from state TRXOFF to TX the calibration is started automatically.

Bit	7	6	5	4	3	2	1	0		
	-		DCOQ							RfN_TXCQ
Read/Write	R	R	RW	RW	RW	RW	RW	RW		
Initial Value	0	0	0	1	1	1	1	1		

- **Bit 5:0 – TXCQ.DCOQ: DC offset calibration value Q path**

The value of the LO leakage calibration of the transmit Q path is captured.

[Errata reference 4807]

15.2.2 Errata #2: State transition not successful

Description:

Scenario 1 – State transition is triggered by writing a command to the register RfN_CMD

The following state transitions may not be completed:

- State TRXOFF to state TXPREP
- State TRXOFF to state RX

After transitioning to the above mentioned states, the target state is provided by the register RfN_STATE and in case of transition to state TXPREP the interrupt TRXRDY is issued if interrupt is enabled,. If state transition is not completed, the state register RfN_STATE provides the state TRANSITION and in case of transition to state TXPREP no interrupt is issued. When the transition period exceeds $t_{TRXOFF_TXPREP(max)}=200\mu s$ and the target state is not reached, the following workaround is required.

Scenario 2 – State transition is triggered by changing the channel frequency

Changing the channel frequency (see section "[Frequency Synthesizer \(PLL\)](#)" on page 62) in the state TXPREP, an internal state transition may not be completed. If the internal state transition is completed, the interrupt TRXRDY is issued, if interrupt is enabled, and the sub-register [PLL.LS](#) is set to 1. When no interrupt is issued or the value of the sub-register [PLL.LS](#) is not 1 within a period of $t_{TRXOFF_TXPREP(max)}=200\mu s$, the following workaround is required.

Software workaround for scenario 1 and 2:

- Step 1: Write to the register RfN_PLL the value 9
- Step 2: Wait for 20us
- Step 3: Write to the register RfN_PLL the value 8
- Step 4: Scenario 1: Wait until the target state is reached or in case of transition to state TXPREP the interrupt TRXRDY is issued as well if interrupt is enabled.
Scenario 2: Wait until the interrupt TRXRDY is issued or the sub-register [PLL.LS](#) is set to 1.

Step 5: If the target state is not reached or the interrupt TRXRDY is not issued within 20µs, repeat the procedure starting with step 1.

[Errata reference 4810]

15.2.3 Errata #3: TX Signal Quality for FSK

Description:

One modulation quality parameter of FSK is the zero crossing tolerance. The excursions for the zero crossings for all trajectories of the eye diagram shall be within $\pm 12.5\%$ of T_s (see IEEE Std 802.15.4g™-2012). The spectrum analyzer receiver bandwidth is 4x(Symbol rate) regardless of the modulation index of the FSK mode and no receiver input measurement filter is applied. Due to transmitter limitations the FSK modes require power backoff to fulfill the zero crossing requirements in the 900MHz and 2.4GHz band, the 500MHz band is not affected, see [Table 15-2](#).

Table 15-2. MR-FSK power backoff

Modulation	Frequency band	Mod. index	Symbol rate [ksymbol/s]	Max(P_R F) [dBm]	Register PAC.TXPWR	Comments
2-FSK	900MHz	1	50	13.0	28	Operation RF215 to RF215 at maximum output power possible
2-FSK	900MHz	1	100	11.0	24	
2-FSK	900MHz	1	200	11.0	24	
2-FSK	900MHz	0.5	100	10.0	22	Operation RF215 to RF215 at 11.0dBm output power possible
2-FSK	900MHz	0.5	150	10.0	22	
2-FSK	900MHz	0.5	200	10.0	22	
2-FSK	900MHz	0.5	300	10.0	22	
2-FSK	2400MHz	1	50	8.0	19	Operation RF215 to RF215 at 12.0dBm output power possible
2-FSK	2400MHz	1	100	6.0	16	
2-FSK	2400MHz	0.5	150	exceeds limits	-	Operation RF215 to RF215 at 9.0dBm output power possible
2-FSK	2400MHz	0.5	200	exceeds limits	-	

Note: Refer to MR-FSK power charts in section "Output Power at Several Modulations " on page 208 for correct register PAC.TXPWR setting.

[Errata reference 4820]

15.2.4 Errata #4: TX Signal Quality for MR-OFDM

Description:

The RMS error [dB] of the error vector magnitude determines the signal quality of MR-OFDM. The limits are specified in IEEE Std 802.15.4g™-2012, Table 161; depending on MCS level. The Max(P_RF) is the maximum RMS output power of the MR-OFDM signals which fulfills the standards, see [Table 15-3](#). MR-OFDM modes that are not mentioned (MCS=0,1,2,3) in [Table 15-3](#) on page 228 are not affected.

Table 15-3. MR-OFDM power backoff

Modulation	Frequency band [MHz]	Option	MCS	Max(P_RF) [dBm]	Register PAC.TXPWR	Comments
MR-OFDM	500MHz	4	6	10.0	29	Operation RF215 to RF215 at full output power possible
MR-OFDM	900MHz	2	4	9.0	28	Operation RF215 to RF215 at full output power possible
MR-OFDM	900MHz	2	5	5.0	23	
MR-OFDM	900MHz	3	5	7.0	26	
MR-OFDM	900MHz	3	6	5.0	23	Operation RF215 to RF215 at 5.0dBm output power possible
MR-OFDM	900MHz	4	5	8.0	26	Operation RF215 to RF215 at full output power possible
MR-OFDM	900MHz	4	6	6.0	23	Operation RF215 to RF215 at 8.0dBm output power possible
MR-OFDM	2400MHz	2	4	7.0	26	Operation RF215 to RF215 at full output power possible
MR-OFDM	2400MHz	2	5	6.0	25	Operation RF215 to RF215 at 8.0dBm output power possible
MR-OFDM	2400MHz	3	4	7.0	26	Operation RF215 to RF215 at full output power possible
MR-OFDM	2400MHz	3	5	6.0	25	Operation RF215 to RF215 at 8.0dBm output power possible
MR-OFDM	2400MHz	3	6	5.0	24	Operation RF215 to RF215 at 5.0dBm output power possible
MR-OFDM	2400MHz	4	4	8.0	26	Operation RF215 to RF215 at full output power possible
MR-OFDM	2400MHz	4	5	7.0	25	Operation RF215 to RF215 at 5.0dBm output power possible
MR-OFDM	2400MHz	4	6	5.0	23	

Note: Refer to MR-OFDM power charts in section "Output Power at Several Modulations " on page 208 for correct register PAC.TXPWR setting.

[Errata reference 4664]

15.2.5 Errata #5: Reduced power consumption mode (RPC) causes higher PER

Description:

The usage of reduced power consumption mode (RPC) for MR-FSK and MR-OQPSK may cause a higher packet error rate.

Software workaround:

The RPC is configured with sub-register OQPSKC2.RPC set to 1 for MR-OQPSK modulation and sub-register FSKRPC.EN set to 1 for MR-FSK modulation. In addition, the following settings must be made:

- Write to the register RFn_PLL the value 9 if the AT86RF215 is in state RX and the desired channel frequency has been reached.

- Write to the register RFn_PLL the value 8 prior to a change of the channel frequency or if the state RX has been left (including automatic state change from RX to TXPREP).

[Errata reference 4841]

15.2.6 Errata #6: State Machine Command RFn_CMD=TRXOFF may not be succeeded

Description:

If the current state is different from SLEEP, the execution of the command TRXOFF may fail.

Software workaround:

- Check state by reading register RFn_STATE
- Repeat the command RFn_CMD=TRXOFF if the target state was not reached.

[Errata reference 4840]

15.2.7 Errata #7: Acknowledgement Frame is transmitted without ACK request

Description:

The Automatic Acknowledgement unit transmits an acknowledgement frame without an ACK request under the following condition:

- A frame is received that does not match the 3rd level filter rules but its ACK request bit is set and the next incoming frame matches all 3rd level filter rules but the ACK request bit is zero (this second frame is acknowledged).

Software workaround:

- If the interrupt RXFE is issued and the AR bit in the header of the incoming frame is set to 0, then apply the following sequence before the ACK frame is automatically transmitted:
 - Set sub-register AMCS.AACK to 0
 - Set sub-register AMCS.AACK back to 1

[Errata reference 4830]

15.2.8 Errata #8: Scalable LVDS I/Q data interface link does not support fail safe mode

Description:

The pins RXCLKP/RXCLKN, RXDN09/RXDP09 and RXDN24/RXDP24 must not be pulled high in SLVDS mode when the I/Q interface is disabled (powered-down). Thus the SLVDS interface link does not support the fail safe feature. In modes compliant to the IEEE standard 1596.1-1996 fail-safe detection with pull-up resistors is supported.

Solution:

- Do not pull high pins RXCLK and RXDx using the SLVDS link option (common mode voltage of 200mV with a voltage swing of 200mV).
- Do not use a fail safe circuit with pull-up resistor when using the SLVDS link option.
- Use 100kΩ pull-down resistors if the I/Q interface is disabled (power-down) and the pins RXCLK and RXDxxx would be floating when using the SLVDS link option.

[Errata reference 4860]

15.2.9 Errata #9: RF215M device has a wrong part number

Description:

The RF215M device part number is 0x34 instead of 0x36 (register RF_PN.PN).

15.2.10 Errata #10: Missing AGC release upon receive of an invalid legacy O-QPSK frame

Description:

Upon receive of a legacy O-QPSK frame with an invalid PHR field, the receiver may not correctly release the AGC and may not listen the next incoming O-QPSK frames. The errata is only relevant if receive of legacy O-QPSK is enabled (BBCn_PC.PT = 3, BBCn_OQPSKC0.FCHIP > 1 and receive mode BBCn_OQPSKC2.RXM = 1 or BBCn_OQPSKC2.RXM = 2).

Software workaround:

- Start a timer with the interrupt AGCH.
- Stop the timer if one of the interrupts AGCR or RXFS occurs within the expected period T.
- At timer trigger set BBEN=0 and back to BBEN=1 again.

The expected timer period T depends on the O-QPSK receive mode (OQPSKC2.RXM).

- BBCn_OQPSKC2.RXM = 1 : T = 200 us
- BBCn_OQPSKC2.RXM = 2 : T = 6000 us

[Errata reference 4908]

16. References

- [1] IEEE Std 802.15.4™-2006: IEEE Standard for Information technology-- Local and metropolitan area networks-- Specific requirements-- Part 15.4: Wireless Medium Access Control (MAC) and Physical Layer (PHY) Specifications for Low Rate Wireless Personal Area Networks (WPANs)
- [2] IEEE Std 802.15.4™-2011: IEEE Standard for Local and metropolitan area networks--Part 15.4: Low-Rate Wireless Personal Area Networks (LR-WPANs)
- [3] IEEE Std 802.15.4g™-2012: IEEE Standard for Local and metropolitan area networks--Part 15.4: Low-Rate Wireless Personal Area Networks (LR-WPANs) Amendment 3: Physical Layer (PHY) Specifications for Low-Data-Rate, Wireless, Smart Metering Utility Networks
- [4] IEEE Standard for Low-Voltage Differential Signals (LVDS) for Scalable Coherent Interface (SCI) 1596.3-1996.
- [5] ETSI TS 102 887-1 V<1.1.1> (2013-07): Electromagnetic compatibility and radio spectrum Matters (ERM); Short Range Devices; Smart Metering Wireless Access Protocol (SMEP). Part 1; PHY Layer.
- [6] ETSI EN 300 220-1 V2.4.1 (2012-05) Electromagnetic compatibility and Radio spectrum Matters (ERM); Short Range Device (SRD)
- [7] IEEE Std 802.15.4™-2015: IEEE Standard for Low-Rate Wireless Personal Area Networks (WPANs)

17. Table of Contents

1. Description.....	3
1.1 Device Family.....	3
1.2 Block Diagram.....	4
1.3 Control Logic and Naming Conventions.....	6
2. Pin-out Diagram and Description.....	7
2.1 Pin-out Diagram.....	7
2.2 Pin Description.....	9
3. Application Schematic.....	11
4. Control and Data Interfaces.....	13
4.1 Reset Modes.....	13
4.2 SPI Transceiver Control Interface.....	16
4.3 Interrupt Signalling.....	19
4.4 Clock Output.....	20
4.5 Serial I/Q Data Interface.....	22
5. Basic Operation.....	30
5.1 Operating Modes.....	30
5.2 State Machine.....	33
5.3 Interrupts.....	38
5.4 Basic Operation of AT86RF215M.....	42
6. Module Description.....	43
6.1 Transmitter Frontend.....	43
6.2 Receiver Frontend.....	52
6.3 Frequency Synthesizer (PLL).....	62
6.4 Crystal Oscillator and TCXO.....	67
6.5 External Frontend Control.....	70
6.6 Voltage Regulator.....	75
6.7 Battery Monitor (BATMON).....	78
6.8 Analog Calibrations.....	80
6.9 Baseband Core.....	81
6.10 MR-FSK PHY.....	86
6.11 MR-OFDM PHY.....	112
6.12 O-QPSK PHY.....	120
6.13 Frame Buffer.....	132
6.14 Frame Check Sequence.....	138
6.15 IEEE MAC Support.....	141
6.16 Random Number Generator.....	161
6.17 Phase Measurement Unit.....	162
6.18 Timestamp Counter.....	166
7. Transceiver Usage.....	169
7.1 Transceiver Usage in Baseband Mode.....	169
7.2 Example: Transceiver Usage in Baseband Mode.....	170
7.3 Transmitter Usage in I/Q Radio Mode.....	178
7.4 Receiver Usage in I/Q Radio Mode.....	180
8. Register Summary.....	181

9. Package Drawing	186
10. Electrical Characteristics	187
10.1 Absolute Maximum Ratings*	187
10.2 Operating Range	187
10.3 Digital Pin Specifications	187
10.4 Power-on Reset Characteristics	188
10.5 General Transceiver Specifications	188
10.6 Crystal Oscillator Specification	188
10.7 Clock Output – pin CLK0	189
10.8 Transition Time	189
10.9 Transmitter Characteristics	190
10.10 Receiver Characteristics	194
10.11 Current Consumption Specifications	203
10.12 SPI Timing Characteristics	204
10.13 I/Q Data Interface Driver DC and Startup Specification	205
10.14 I/Q Data Interface Receiver DC and Startup Specification	206
10.15 I/Q Data Interface Driver AC Specification	206
10.16 I/Q Data Interface Receiver AC Specification	207
10.17 Digital Block Timing Specification	207
11. Typical Characteristics	208
11.1 Output Power at Several Modulations	208
11.2 Output Power versus Supply Voltage	209
11.3 TX Current Consumption and Output Power at PAC.PACUR settings	211
11.4 TX Output Power at Temperature Sweep	214
11.5 TX Output Power at Frequency Sweep	214
11.6 Receiver Sensitivity	216
11.7 Frequency Synthesizer (PLL)	217
12. Acronyms and Abbreviations	218
13. Appendix	221
13.1 Continuous Transmission	221
14. Ordering Information	224
15. Errata	225
15.1 Errata Overview	225
15.2 Errata AT86RF215 Description	225
16. References	231
17. Table of Contents	232
18. Revision History	234

18. Revision History

Doc Rev.	Date	Comments
42415E	05/2016	<p>Section "MR-FSK PHY":</p> <ul style="list-style-type: none"> - Information in section "Direct Modulation RF215 v.3 (RF_VN = 0x03)" added (Pre-emphasis setting for FSK direct modulation) <p>Section "SPI Transceiver Control Interface":</p> <ul style="list-style-type: none"> - Correction of t_{SPL_5} in "SPI Timing" <p>Reference to IEEE Std 802.15.4™-2015 [7]</p> <p>Information of "Frequency Synthesizer (PLL)" in section "Typical Characteristics" added</p>
42415D	11/2015	<p>Section Errata:</p> <ul style="list-style-type: none"> - RF215M information added "Errata Overview" - Errata 7: improved SW workaround "Errata AT86RF215 Description" <p>Section MR-FSK PHY "MR-FSK PHY"</p> <ul style="list-style-type: none"> - Default AGC receiver setting added (Table 6-60/Table 6-62/Table 6-61/Table 6-63) <p>Section Frequency Synthesizer (PLL) "Frequency Synthesizer (PLL)"</p> <ul style="list-style-type: none"> - Description for sub-register PLL.LBW improved (PLL.LBW) <p>Section IEEE MAC Support ("IEEE MAC Support")</p> <ul style="list-style-type: none"> - Description of section "Clear Channel Assessment with Automatic Transmit (CCATX)" and "Transmit and Switch to Receive (TX2RX)" extended
42415C	07/2015	<p>RF215-v.3 information:</p> <ul style="list-style-type: none"> - FSK sample rate TXDFE.SR (Table 6-51) - FSK direct modulation ("Direct Modulation RF215 v.3 (RF_VN = 0x03)") - QPSK direct modulation ("Direct Modulation RF215 v.3 (RF_VN = 0x03)") - Additional information in section "Typical Characteristics" <p>Additional information in section</p> <p>Update and additional information in section "Electrical Characteristics"</p> <p>Editorial updates</p>
42415B	04/2015	Added Ordering Information
42415A	03/2015	Initial document release



Enabling Unlimited Possibilities®

Atmel Corporation

1600 Technology Drive
San Jose, CA 95110
USA
Tel: (+1)(408) 441-0311
Fax: (+1)(408) 487-2600
www.atmel.com

Atmel Asia Limited

Unit 01-5 & 16, 19F
BEA Tower, Millennium City 5
418 Kwun Tong Road
Kwun Tong, Kowloon
HONG KONG
Tel: (+852) 2245-6100
Fax: (+852) 2722-1369

Atmel Munich GmbH

Business Campus
Parkring 4
D-85748 Garching b. Munich
GERMANY
Tel: (+49) 89-31970-0
Fax: (+49) 89-3194621

Atmel Japan G.K.

16F Shin-Osaki Kangyo Bldg.
1-6-4 Osaki, Shinagawa-ku
Tokyo 141-0032
JAPAN
Tel: (+81)(3) 6417-0300
Fax: (+81)(3) 6417-0370

© 2016 Atmel Corporation. All rights reserved. / Rev.: Atmel-42415E-WIRELESS-RF215_Datasheet_052016

Atmel®, Atmel logo and combinations thereof, Enabling Unlimited Possibilities®, and others are registered trademarks or trademarks of Atmel Corporation or its subsidiaries. Other terms and product names may be trademarks of others.

Disclaimer: The information in this document is provided in connection with Atmel products. No license, express or implied, by estoppel or otherwise, to any intellectual property right is granted by this document or in connection with the sale of Atmel products. EXCEPT AS SET FORTH IN THE ATMEL TERMS AND CONDITIONS OF SALES LOCATED ON THE ATMEL WEBSITE, ATMEL ASSUMES NO LIABILITY WHATSOEVER AND DISCLAIMS ANY EXPRESS, IMPLIED OR STATUTORY WARRANTY RELATING TO ITS PRODUCTS INCLUDING, BUT NOT LIMITED TO, THE IMPLIED WARRANTY OF MERCHANTABILITY, FITNESS FOR A PARTICULAR PURPOSE, OR NON-INFRINGEMENT. IN NO EVENT SHALL ATMEL BE LIABLE FOR ANY DIRECT, INDIRECT, CONSEQUENTIAL, PUNITIVE, SPECIAL OR INCIDENTAL DAMAGES (INCLUDING, WITHOUT LIMITATION, DAMAGES FOR LOSS AND PROFITS, BUSINESS INTERRUPTION, OR LOSS OF INFORMATION) ARISING OUT OF THE USE OR INABILITY TO USE THIS DOCUMENT, EVEN IF ATMEL HAS BEEN ADVISED OF THE POSSIBILITY OF SUCH DAMAGES. Atmel makes no representations or warranties with respect to the accuracy or completeness of the contents of this document and reserves the right to make changes to specifications and products descriptions at any time without notice. Atmel does not make any commitment to update the information contained herein. Unless specifically provided otherwise, Atmel products are not suitable for, and shall not be used in, automotive applications. Atmel products are not intended, authorized, or warranted for use as components in applications intended to support or sustain life.