

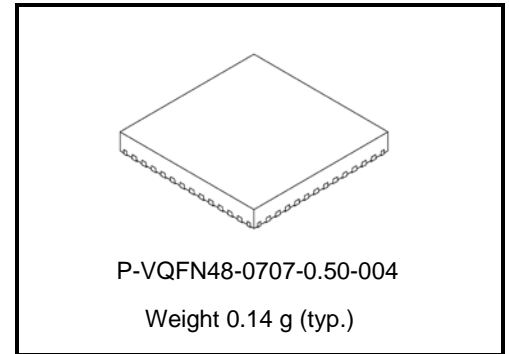
Toshiba BiCD process integrated circuit silicon monolithic

# TB67H420FTG

## Brushed DC Motor driver with Dual H-bridge mode

The TB67H420FTG is a brushed DC motor driver with sense resistor less current control. The internal H-bridge can be controlled independently, as a two brushed DC motor driver or a single stepping motor driver using the dual H-bridge mode.

Fabricated with the BiCD process, the TB67H420FTG is rated at 50 V, 9.0 A

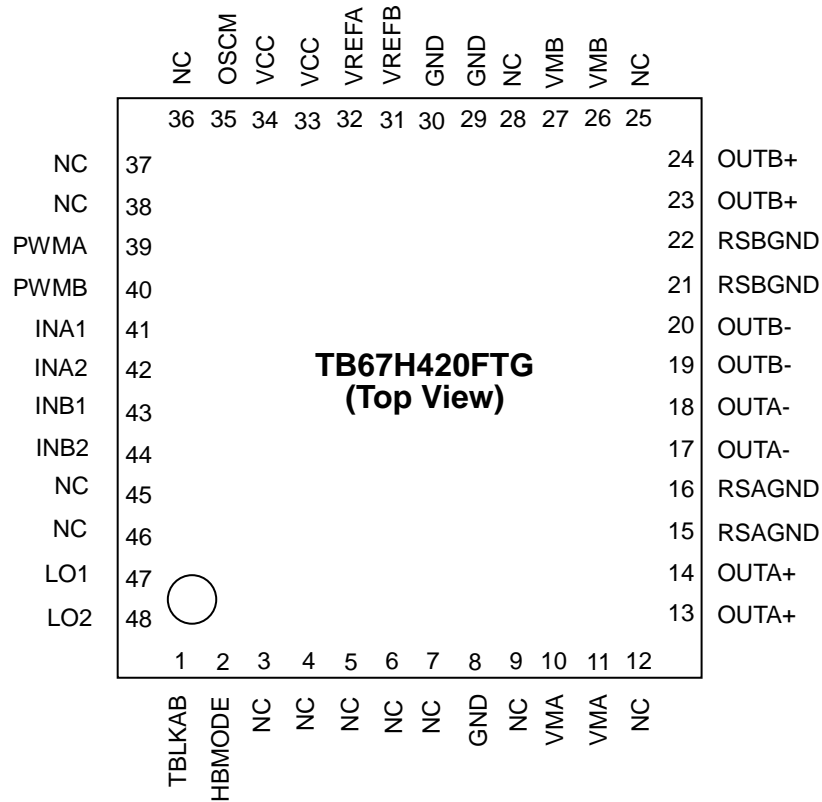


## Features

- Supporting large current (9.0 A) and high voltage (50 V) brushed DC motor operation.
- Capable of driving two brushed DC motors using dual H-Bridge mode.
- Capable of driving one stepping motor using dual H-bridge mode.
- Built-in sense resistor less current control. (ACDS: Advanced Current Detection System)
- Low R<sub>ds (on)</sub> MOSFETs (High side+ Low side=0.33 Ω (typ.))
- Error detection features (Thermal shutdown (TSD), Over current detection (ISD), Power-on-reset (POR), and Motor load open detection (OPD))
- Error detection signal output (Error Output)
- Internal VCC (5 V) regulator enables the driver to be operated with a single power supply (VM).
- Adjustable constant current PWM frequency using external components.
- Small package with thermal pad. (QFN48: 7.0 mm x 7.0 mm)

Note: Please consider the heat condition when using the TB67H420FTG.

### Pin assignment



Note: Please solder the corner pad and the bottom thermal pad of the QFN package, to the GND pattern of the PCB.

Note: Pin names in the above figure are in the state when HBMODE is low level.

### Pin description

HBMODE=High			HBMODE=Low		
Pin No.	Pin name	Pin function	Pin No.	Pin name	Pin function
1	TBLKAB	Noise filter setting pin for constant current circuit	1	TBLKAB	Noise filter setting pin for constant current circuit
2	HBMODE	H-bridge drive mode setting pin	2	HBMODE	H-bridge drive mode setting pin
3	NC	Non connection	3	NC	Non connection
4			4		
5			5		
6			6		
7			7		
8	GND	Ground pin	8	GND	Ground pin
9	NC	Non connection	9	NC	Non connection
10	VM	Motor power supply pin	10	VMA	Motor power supply pin (Ach)
11			11		
12	NC	Non connection	12	NC	Non connection
13	OUT+	Motor output (+) pin for H-bridge	13	OUTA+	Motor output (+) pin for H-bridge (Ach)
14			14		
15	RSGND	Power ground pin for H-bridge	15	RSAGND	Power ground pin for H-bridge (Ach)
16			16		
17	OUT+	Motor output (+) pin for H-bridge	17	OUTA-	Motor output (-) pin for H-bridge (Ach)
18			18		
19	OUT-	Motor output (-) pin for H-bridge	19	OUTB-	Motor output (-) pin for H-bridge (Bch)
20			20		
21	RSGND	Power ground pin for H-bridge	21	RSBGND	Power ground pin for H-bridge (Bch)
22			22		
23	OUT-	Motor output (-) pin for H-bridge	23	OUTB+	Motor output (+) pin for H-bridge (Bch)
24			24		
25	NC	Non connection	25	NC	Non connection
26	VM	Motor power supply pin	26	VMB	Motor power supply pin (Bch)
27			27		
28	NC	Non connection	28	NC	Non connection
29	GND	Ground pin	29	GND	Ground pin
30			30		
31	VREF	Current threshold reference pin for H-bridge	31	VREFB	Current threshold reference pin for H-bridge (Bch)
32			32	VREFA	Current threshold reference pin for H-bridge (Ach)
33	VCC	Internal regulator voltage monitor pin	33	VCC	Internal regulator voltage monitor pin
34			34		
35	OSCM	Internal oscillator frequency setting pin	35	OSCM	Internal oscillator frequency setting pin
36	NC	Non connection	36	NC	Non connection
37			37		
38			38		
39	PWMA	Short brake pin for H-bridge	39	PWMA	Short brake pin for H-bridge (Ach)
40	PWMB	(Note1)	40	PWMB	Short brake pin for H-bridge (Bch)
41	INA1	H-bridge control pin No.1	41	INA1	H-bridge (Ach) control pin No.1
42	INA2	H-bridge control pin No.2	42	INA2	H-bridge (Ach) control pin No.2
43	INB1	(Note1)	43	INB1	H-bridge (Bch) control pin No.1
44	INB2	(Note1)	44	INB2	H-bridge (Bch) control pin No.2
45	NC	Non connection	45	NC	Non connection
46			46		
47	LO1	Error flag output pin No.1	47	LO1	Error flag output pin No.1
48	LO2	Error flag output pin No.2	48	LO2	Error flag output pin No.2

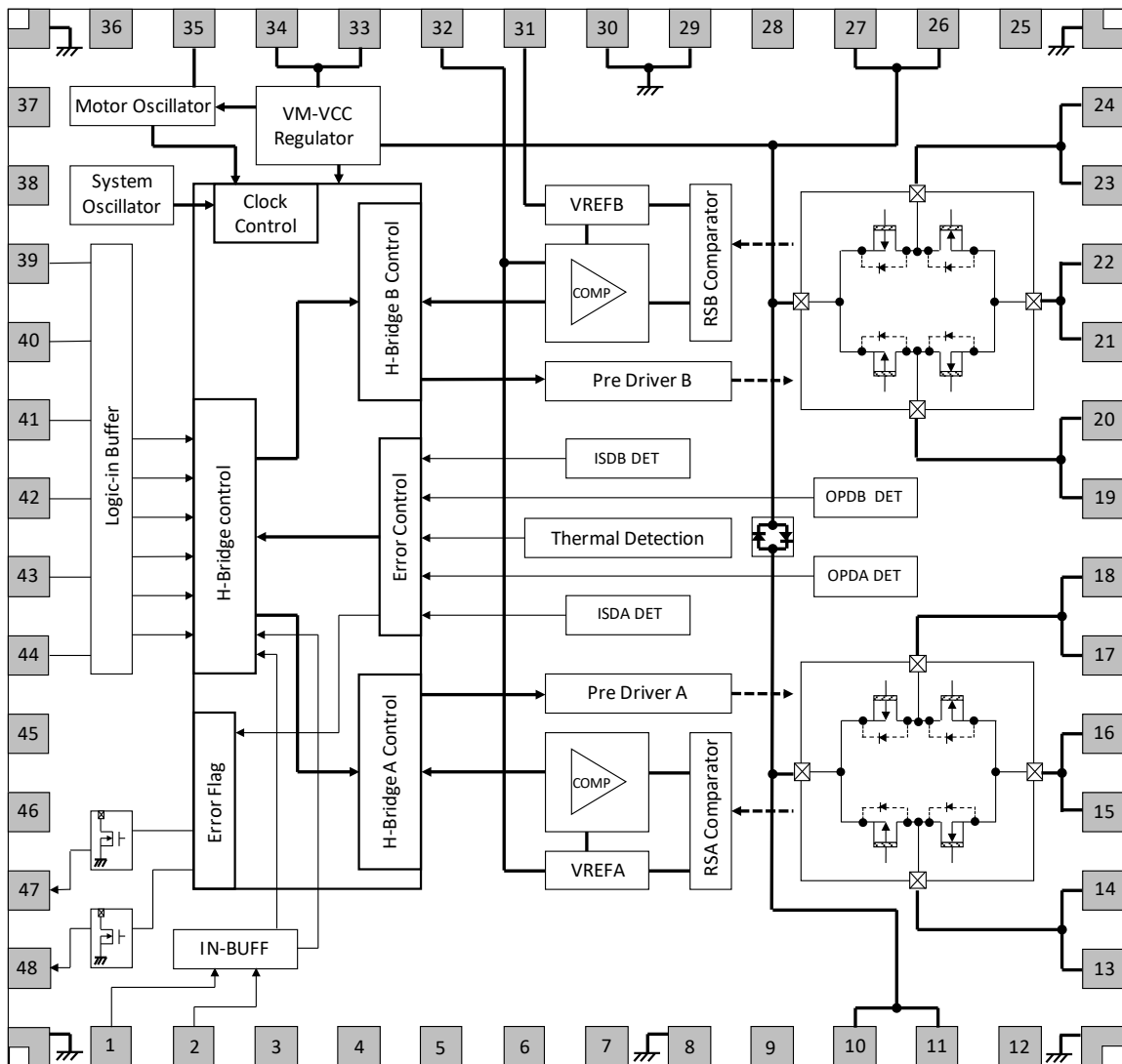
Note: Please do not connect any PCB pattern to the NC pins.

Note: For pins with the same pin name; connect the pins together at the nearest point of the driver.

Note: Some pin names are written differently depending on the state of HBMODE. Hereafter, they are unified in the state when HBMODE is low level.

Note1: When HBMODE pin is set to high level, signal input is invalid (Don't care).

### Block diagram



Some of the functional blocks, circuits, or constants in the block diagram may be omitted or simplified for explanatory purpose.

Note: All the grounding wires of the TB67H420FTG should run on the solder mask on the PCB and be externally terminated at only one point. Also, a grounding method should be considered for efficient heat dissipation.

Careful attention should be paid to the layout of the output, VM and GND traces, to avoid short circuits across output pins or to the power supply or ground. If such a short circuit occurs, the device may be permanently damaged.

Also, the utmost care should be taken for pattern designing and implementation of the device since it has power supply pins (VMA, VMB, RSAGND, RSBGND, OUTA, OUTB line, and GND) through which a particularly large current may run. If these pins are wired incorrectly, an operation error may occur or the device may be destroyed.

The logic input pins must also be wired correctly. Otherwise, the device may be damaged owing to a current running through the IC that is larger than the specified current. Careful attention should be paid to design patterns and mountings.

## Input-Output equivalent circuit 1

Pin name	Input-Output signal	Input-Output equivalent circuit
TBLKAB HBMODE PWMA PWMB INA1 INA2 INB1 INB2	Logic input pin voltage $GND \leq V_{IN(L)} \leq 0.8 V$ $2.0 V \leq V_{IN(H)} \leq 5.5 V$	<p>Logic input pin</p> <p>1 kΩ</p> <p>100 kΩ</p> <p>GND</p>
LO1 LO2	Logic output pin $0 V \leq V_{OL} \leq 0.5 V$ $4.75 V \leq V_{OH} \leq 5.25 V$	<p>Logic output pin</p> <p>(10 kΩ to 100 kΩ) VCC</p>
OSCM	OSCM frequency range $0.64 MHz \leq f_{OSCM} \leq 2.4 MHz$	<p>VCC</p> <p>OSCM</p> <p>1 kΩ</p> <p>500 Ω</p>

The equivalent circuit diagrams may be simplified or omitted for explanatory purposes.

### Input-Output equivalent circuit 2

Pin name	Input-Output signal	Input-Output equivalent circuit
VCC	VCC voltage range $4.75\text{ V} \leq VCC \leq 5.25\text{ V}$	
VREFA	VREF input voltage range $GND \leq VREF \leq 4.0\text{ V}$	
VREFB		
VMA	VM operation voltage range $10\text{ V} \leq VM \leq 47\text{ V}$	
VMB		
OUTA+	Output pin voltage range $10\text{ V} \leq VM \leq 47\text{ V}$	
OUTA-		
OUTB+		
OUTB-		
RSAGND		
RSBGND		

The equivalent circuit diagrams may be simplified or omitted for explanatory purposes.

### ◆Motor control functions

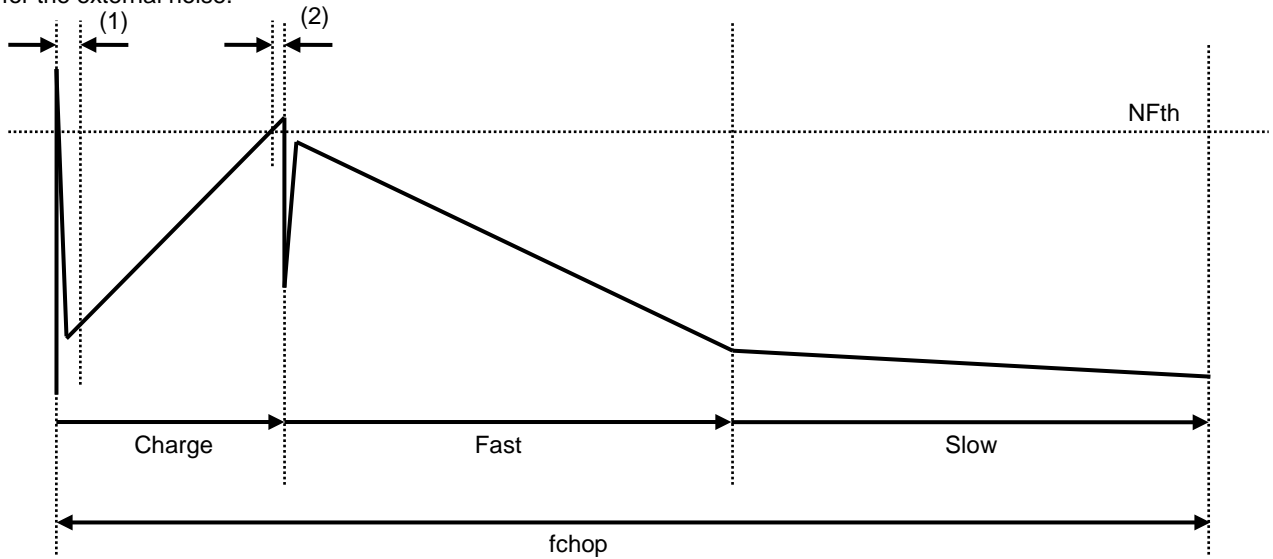
#### 1. TBLKAB function

Blanking time (Digital blank) is provided and controlled by TBLKAB pin for the constant-current detection circuit to avoid error judgment of varistor recovery current. This blanking time is based on the OSCM signal and provided at the charge start timing.

TBLKAB	Function
High	Digital tblank=fOSCM x 6 clk
Low	Digital tblank=fOSCM x 4 clk

#### Blanking time in the constant current PWM drive

The TB67H420FTG has blanking times shown below to take measures for the spike current generated in motor operation and for the external noise.



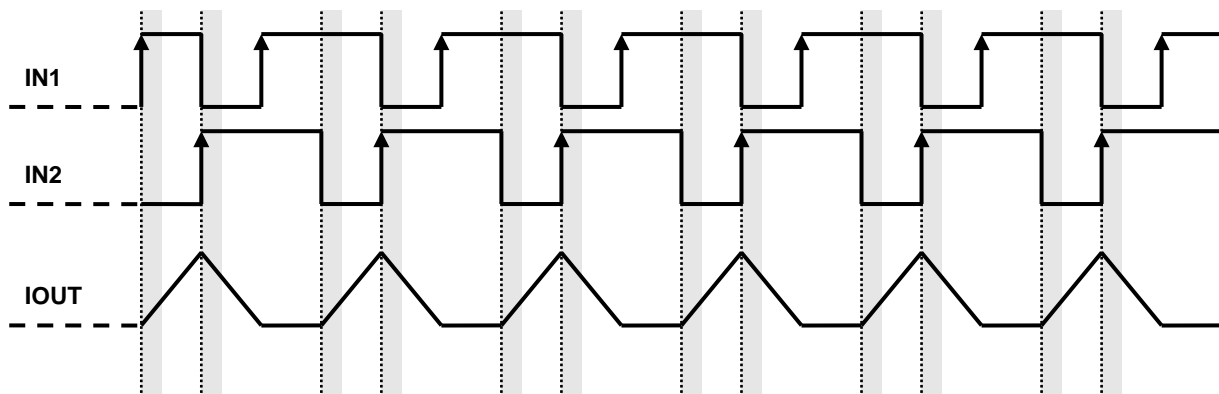
Timing charts may be simplified for explanatory purposes.

- (1) Digital tblank (to avoid detecting the inrush current during Decay->Charge switching): Configured by TBLKAB
- (2) Analog tblank (to avoid detecting spike noises near NF threshold (NFth)): Fixed value of 0.35 μs (typ.)

\* Blanking time and values mentioned above is a designed value, and is not guaranteed.

#### Correlation between control signals and digital tblank

The digital tblank is intended to avoid inrush current detection. The TB67H420FTG not only can be controlled by constant current PWM, but also by direct PWM; with IN control signals. Therefore, the digital tblank is set at each IN switch timing; shown with gray in the timing chart below.

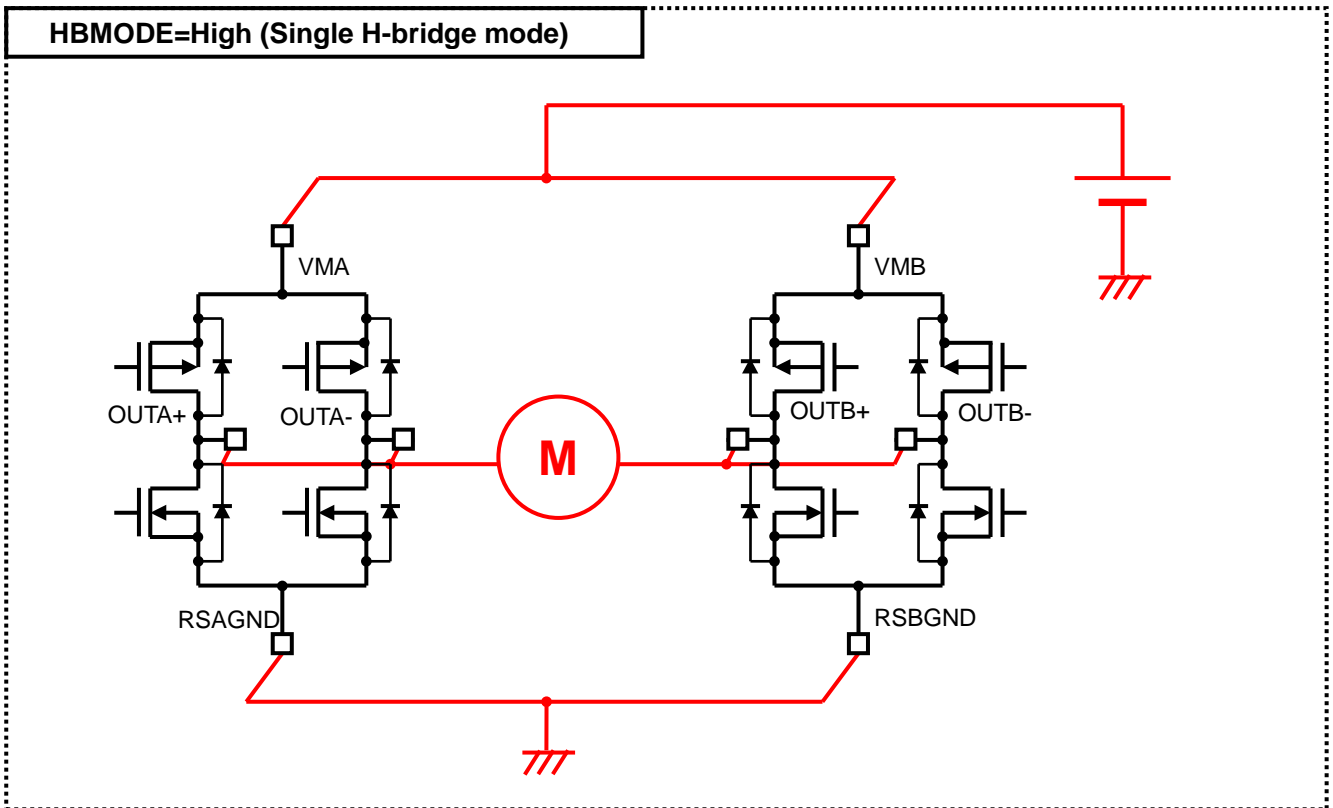


Timing charts may be simplified for explanatory purposes.

## 2. HBMODE function

Driving mode of the motor output is set by HBMODE.

HBMODE	Function
High (connect to VCC)	Single H-bridge mode (Two H-bridges are controlled in parallel.)
Low (connect to GND)	Dual H-bridge mode (Two H-bridges are controlled individually.)



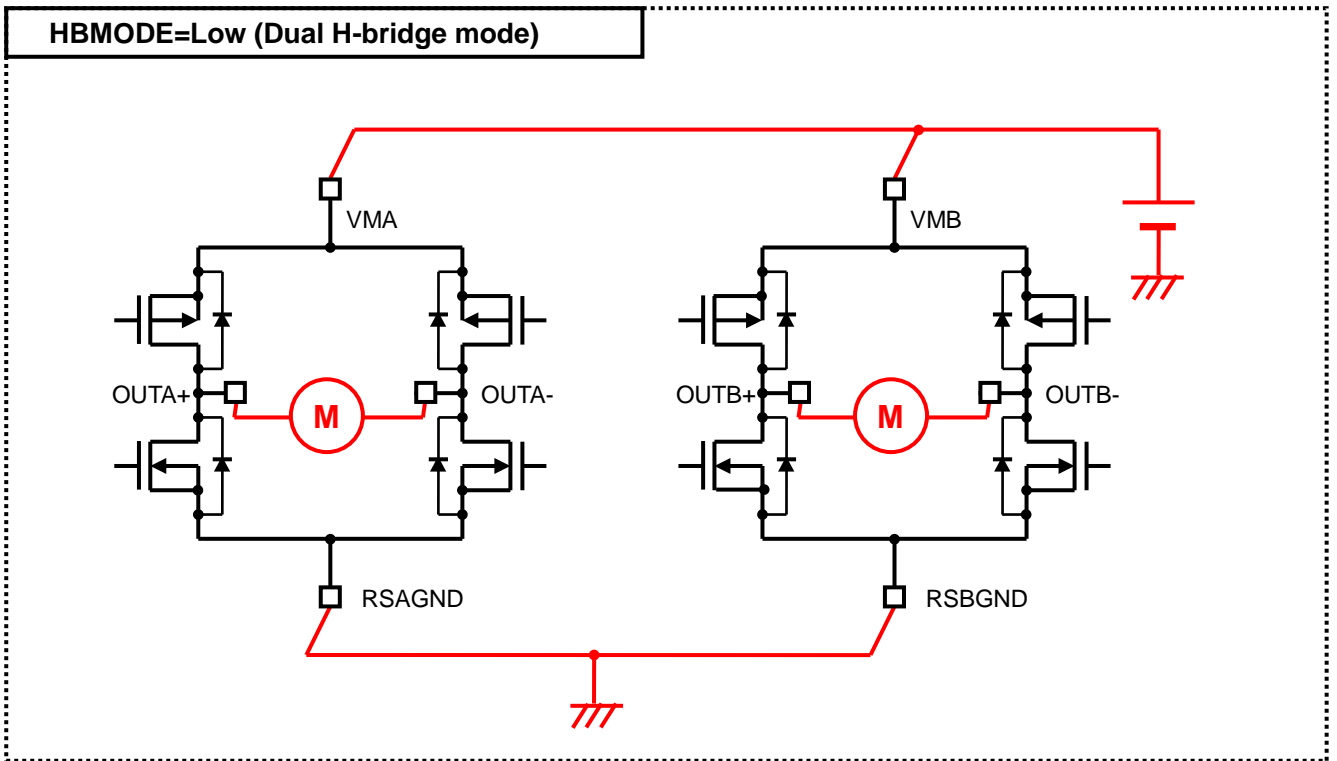
Note: When using the single H-bridge mode, the impedance on the board should be balanced. Also, the power supplies for H-bridges (VMA and VMB), output pins (OUTA+ and OUTA-, OUTB+ and OUTB-), and RSGND pins (RSAGND and RSBGND) should be connected to each other.

Note: The logic input level of HBMODE cannot be switched during operation. The input level is determined during startup sequence, and will be fixated internally, to avoid any incoming noise. Therefore, setting the HBMODE to high, connect to the VCC and to low, connect to the GND by PCB pattern.

Note: Control pins are different depending on the HBMODE setting. For details, please refer to the section '3. IN1, IN2, and PWM functions'.

Note: The internal circuits are designed to avoid EMF or leakage current; when the logic signal is applied while the VM is not. Please consider the control signal timing before supplying the VM.





The equivalent circuit diagrams may be simplified or some parts of them may be omitted for explanatory purposes.

### 3. IN1, IN2, and PWM functions

H-bridges are controlled by IN1, IN2, and PWM pins. When HBMODE is set to high, both H-bridges are controlled by INA1, INA2, and PWMA pins; the INB1, INB2, and PWMB pins will be invalid (Don't care). When HBMODE is set to low, H-bridge (Ach) is controlled by INA1, INA2, and PWMA pins, and H-bridge (Bch) is controlled by INB1, INB2, and PWMB pins.

#### H-bridge (Ach) function

PWMA	INA1	INA2	OUTA+	OUTA-	Drive mode
Low	Low	Low	Hi-Z	Hi-Z	(Note)
	High	Low	Low	Low	Short brake
	Low	High			
	High	High			
High	Low	Low	Hi-Z	Hi-Z	STOP (OFF)
	High	Low	High	Low	CW (Forward rotation)
	Low	High	Low	High	CCW(Reverse rotation)
	High	High	Low	Low	Short brake

#### H-bridge (Bch) function

PWMB	INB1	INB2	OUTB+	OUTB-	Drive mode
Low	Low	Low	Hi-Z	Hi-Z	(Note)
	High	Low	Low	Low	Short brake
	Low	High			
	High	High			
High	Low	Low	Hi-Z	Hi-Z	STOP (OFF)
	High	Low	High	Low	CW (Forward rotation)
	Low	High	Low	High	CCW(Reverse rotation)
	High	High	Low	Low	Short brake

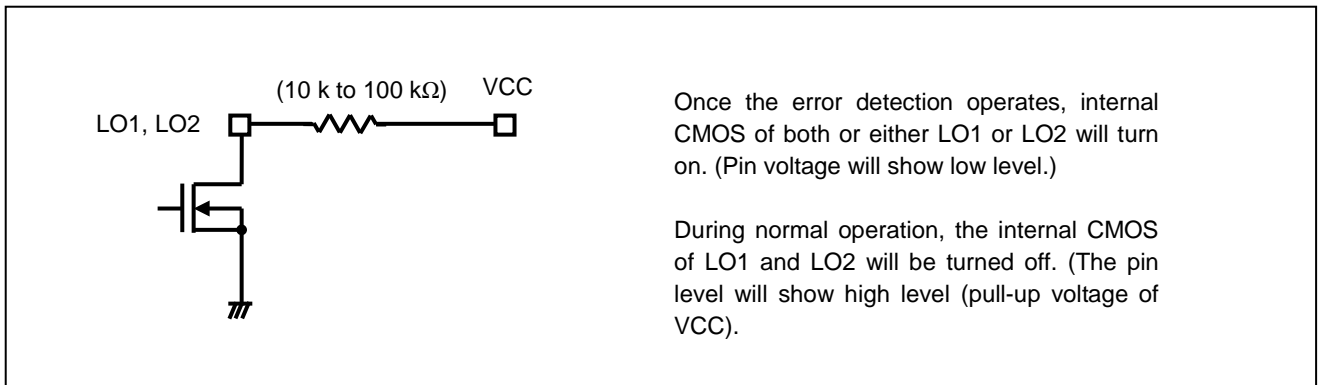
Note: When INA1, INA2, and PWMA are set to low, H-bridge (Ach) will be Hi-Z. When INB1, INB2, and PWMB are set to low, H-bridge (Bch) will be Hi-Z. The standby mode is only enabled when all 6 logic inputs (INA1, INA2, PWMA, INB1, INB2, and PWMB) are set to low. (When HBMODE pin is set to high, the standby mode will be enabled by setting all 3 inputs, INA1, INA2, and PWMA, to low.)

### 4. LO1, LO2 (Error Output: error detect flag output) function

The LO1 and LO2 are signals that are flagged when the error state is detected. Both pins are open drain outputs, therefore must be pulled up to VCC with a pull up resistor in the range of 10 k to 100 kΩ. During normal operation, the internal CMOS will be OFF and the pins will show VCC when pulled up, or high-impedance when left open. If any of the error functions (thermal shutdown (TSD), over current detection (ISD), or motor load open (OPD)) are detected, the internal CMOS will turn on and show low level as mentioned in the table below.

Once the error status is released by reasserting the VM or using the standby mode, LO1 and LO2 will show "normal operation" status. (Leave the pins open if you wish not to use this function.)

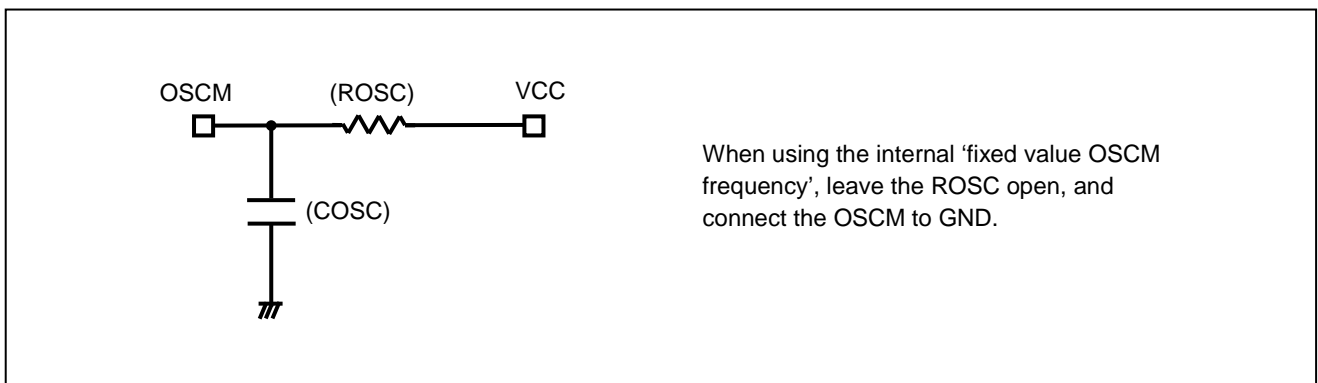
LO1	LO2	Function
VCC(Hi-Z)	VCC(Hi-Z)	Normal status (Normal operation)
VCC(Hi-Z)	Low	Detected motor load open (OPD)
Low	VCC(Hi-Z)	Detected over current (ISD)
Low	Low	Detected over thermal (TSD)



The equivalent circuit diagrams may be simplified or some parts of them may be omitted for explanatory purposes.

### 5. OSCM (internal oscillator) function

OSCM is used to adjust the internal oscillator frequency for constant current PWM control. The values of the resistor and the capacitor connected to OSCM will set the internal oscillator frequency. Use the VCC to connect the ROSC to OSCM pin, and do not connect to any other external power source. Also, to use the "internal fixed value", leave the ROSC open, and short the OSCM to GND. When using the "internal fixed value" OSCM, remember not to apply any control signals for 20 μs after applying VM, or recovering from standby mode. (During this 20 μs, the TB67H420FTG will determine if the OSCM should function with the "internal fixed value" mode.) The "internal fixed value" OSCM frequency and PWM chopping frequency will be set to  $f_{OSCM} \approx 0.92$  MHz,  $f_{chop} \approx 57$  kHz.



The equivalent circuit diagrams may be simplified or some parts of them may be omitted for explanatory purposes.

Note: The oscillator frequency will be set by resistor (ROSC) and capacitor (COSC). When adjusting the frequency, set the COSC to 270 pF, and change the value of the ROSC resistor. For details, please refer to the following descriptions.

**OSCM oscillator frequency (chopping frequency) calculation**

OSCM oscillator frequency can be calculated by using the external component values (ROSC[kΩ] and COSC[pF]), and the formula shown below. (This is only effective when the COSC is set to 270 pF.)

$$\underline{f_{OSCM}[\text{MHz}] = 4.0 \times \text{ROSC}^{(-0.8)}}$$

COSC and ROSC are external components required to set the oscillator frequency. To adjust the oscillator frequency, use 270 pF for COSC and change the value of ROSC.

The correlation between the PWM chopping frequency (fchop) and the OSCM oscillator frequency (fOSCM) is as shown below.

$$\underline{f_{\text{chop}} = f_{OSCM} / 16}$$

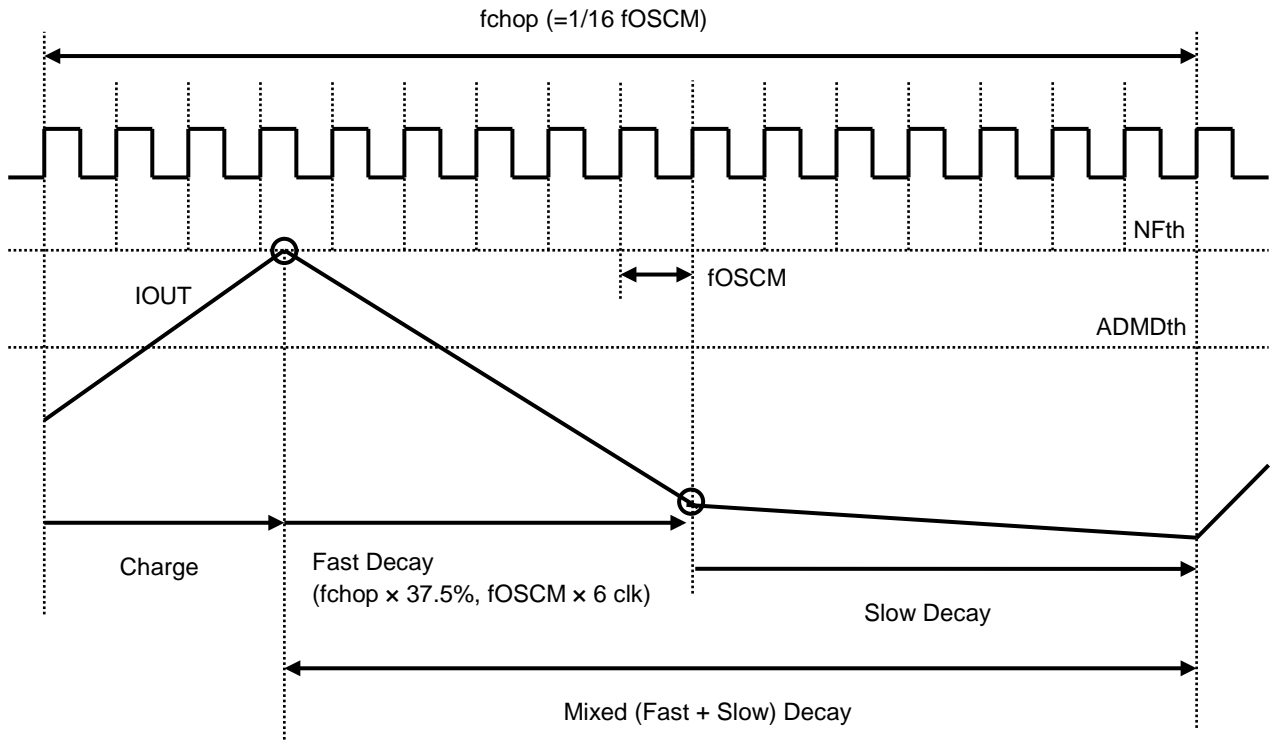
For normal operation, setting the frequency in the range of 50 kHz to 70 kHz and adjust by usage conditions if needed.

When the chopping frequency is set to high, the current ripple becomes smaller, which leads to a higher reproducibility of a waveform. However, the chopping frequency per unit time is increased and so the gate loss and the switching loss of the integrated MOSFET become larger, which leads to an additional heat generation. On the other hand, when the chopping frequency is set to low, the current ripple becomes be larger but the heat generation is reduced. Please set the frequency according to the usage conditions and environment.

**6. Mixed Decay + ACDS (sense-resistor less PWM) control**

**Mixed Decay**

The TB67H420FTG applies the Mixed Decay architecture which monitors the motor current during constant current PWM control. The basic sequence of the Mixed Decay is shown below.



Timing charts may be simplified for explanatory purposes.

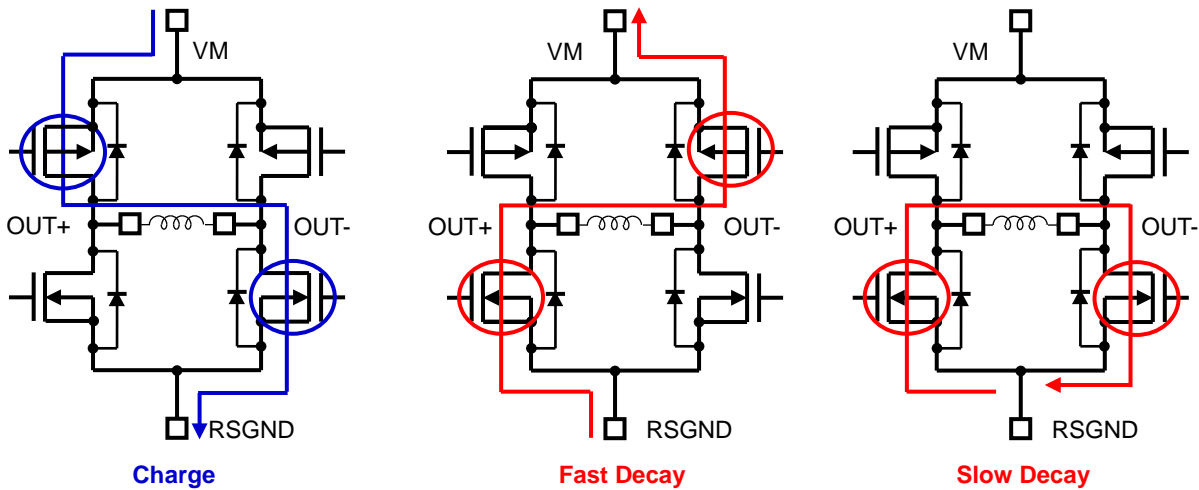
Constant current PWM cycle is a loop of Charge -> Fast Decay -> Slow Decay -> Charge -> ... to keep the peak current below the NF threshold ( $NF_{th}$ ). The chopping frequency ( $f_{chop}$ ) is a period of 16 counts per cycle of OSCM oscillator frequency ( $f_{OSCM}$ ). The sequence of Charge, Fast Decay, and Slow Decay is basically switched within this  $f_{chop}$  cycle.

First, the motor current flows in (Charge) until it reaches the constant current threshold ( $NF_{th}$ ), which is set by  $V_{REF}$ . Once the motor current reaches the constant current threshold ( $NF_{th}$ ), the motor current is circulated back to the power supply. (Fast Decay).

Fast Decay period continues for  $f_{OSCM} \times 6$  clk ( $f_{chop} \times 37.5\%$ ), then switched to gradual discharge (Slow Decay) for the rest of the  $f_{chop}$  cycle.

If the motor current reaches  $NF_{th}$  and the time left within that  $f_{chop}$  cycle is less than  $f_{OSCM} \times 6$  clk ( $f_{chop} \times 37.5\%$ ), the Fast Decay will continue for the rest of the  $f_{chop}$  cycle.

## Motor output MOSFET operation mode (Mixed Decay)



\* The TB67H420FTG has a 400ns (design value) dead time to avoid any flow-through current during switching.

The equivalent circuits may be simplified or omitted for explanatory purposes.

## Constant current threshold calculation (for each H-bridge)

The constant current PWM threshold can be set by applying voltage to the VREF pin.

$$I_{OUT} = V_{REF} \times 2.25 \text{ (HBMODE=High: single H-bridge mode)}$$

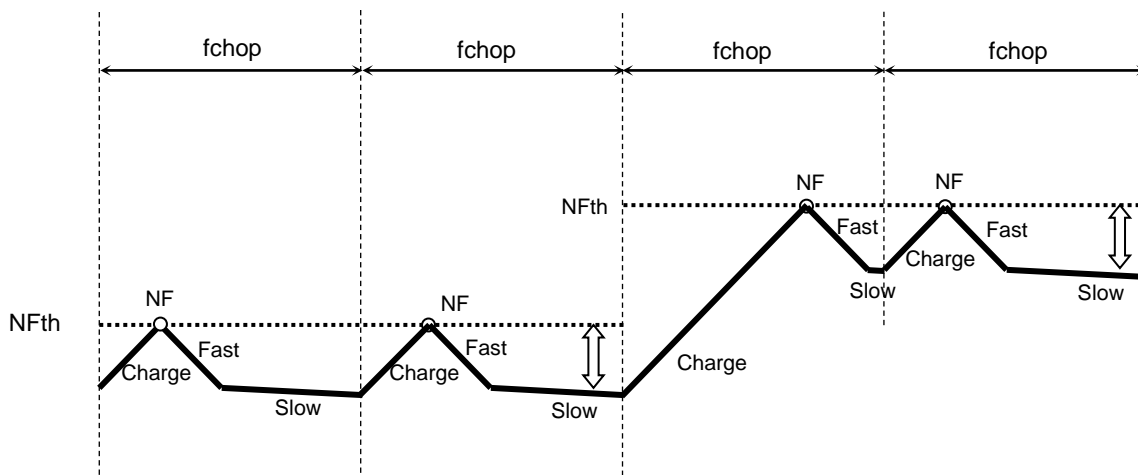
$$I_{OUT} = V_{REF} \times 1.125 \text{ (HBMODE=Low: dual H-bridge mode)}$$

Example: When current ratio is 100%, VREF voltage is 2.0 V, and HBMODE pin is set to high level, the constant current PWM threshold is calculated as follows.

$$I_{OUT} = 2.0 \times 2.25 = 4.5 \text{ A}$$

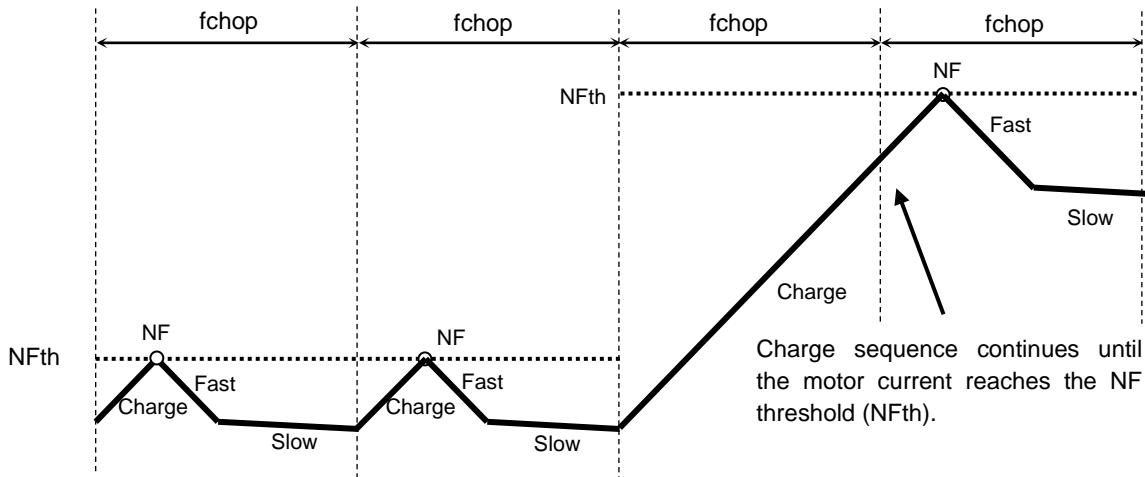
## Mixed Decay current waveform

- When the next current setting is higher than the previous step



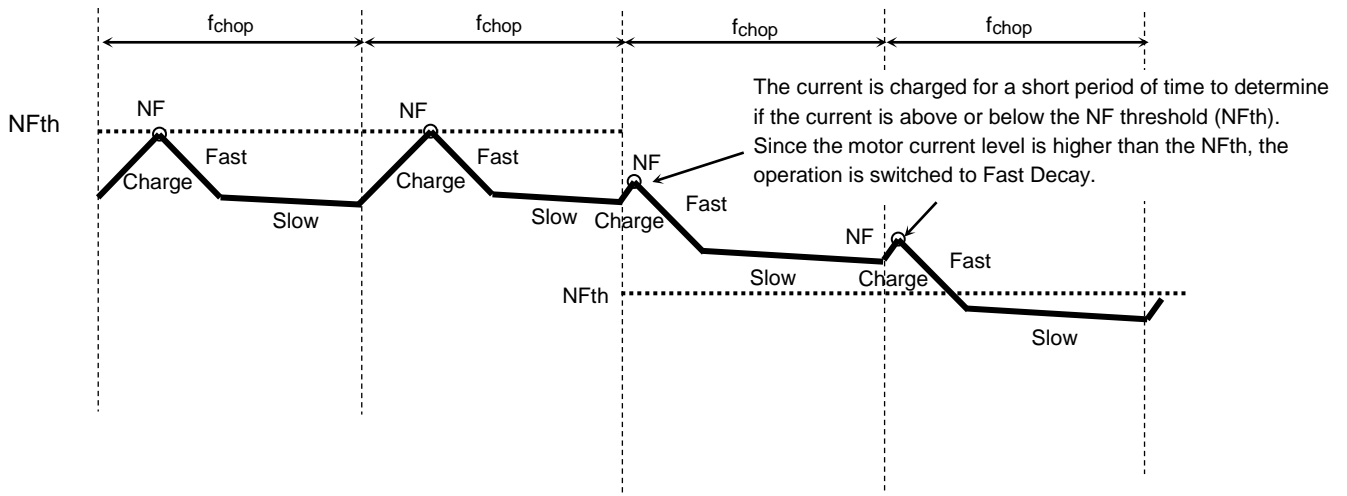
Timing charts may be simplified for explanatory purposes.

• When the Charge period continues beyond 1 fchop cycle



Timing charts may be simplified for explanatory purposes.

• When the next current setting is lower than the previous step



Timing charts may be simplified for explanatory purposes.

### Absolute maximum ratings (Ta = 25°C)

Characteristics	Symbol	Rating	Unit	Remarks
Motor power supply	VM	50	V	—
Motor output voltage	VOUT	50	V	—
Motor output current	IOUT(SHB)	9.0	A	(Note1)
	IOUT(DHB)	4.5	A	(Note2)
Internal Logic power supply	VCC	6.0	V	—
Logic input voltage	VIN(H)	6.0	V	—
	VIN(L)	-0.4	V	—
LO output voltage	VLO	6.0	V	—
LO Inflow current	ILO	6.0	mA	—
Power dissipation	PD	1.3	W	(Note3)
Operating temperature	Topr	-20 to 85	°C	—
Storage temperature	Tstg	-55 to 150	°C	—
Junction temperature	Tj(max)	150	°C	—

Note1: When HBMODE is set to high. Please make sure that the peak current level of each H-bridge is kept under 4.5 A at all times. Also, calculate the generating heat under the usage condition, and set the maximum current with a reasonable margin. The motor current may be limited depending on ambient temperature and PCB layouts (heat conditions).

Note2: When HBMODE is set to low. Please make sure that the current level of each H-bridge is kept under 4.5 A at all times. Also, calculate the generating heat under the usage condition, and set the maximum current with a reasonable margin. The motor current may be limited depending on ambient temperature and PCB layouts (heat conditions).

Note3: Device alone (Ta =25°C)

Ta: Ambient temperature

Topr: Ambient temperature while the IC is active

Tj: Junction temperature while the IC is active. Tj (max) is limited by the thermal shutdown (TSD) threshold.

Please set the usage conditions so that the peak Tj is kept under 120°C for indication.

### Caution) Absolute maximum ratings

The absolute maximum ratings of a semiconductor device are a set of ratings that must not be exceeded, even for a moment. Do not exceed any of these ratings. Exceeding the rating (s) may cause device breakdown, damage or deterioration, and may result in injury by explosion or combustion. The value of even one parameter of the absolute maximum ratings should not be exceeded under any circumstances. All voltage ratings, including supply voltages, must always be followed. Other notes and considerations described in the datasheet should also be referred to.

### Operation ranges (Ta=-20 to 85°C)

Characteristics	Symbol	Min	Typ.	Max	Unit	Remarks
Motor power supply	VM	10	24	47	V	—
Motor output current	IOUT(SHB)	—	4.5	9.0	A	HBMODE=High (Note1)
	IOUT(DHB)	—	2.25	4.5	A	HBMODE=Low (Note2)
LO output pin voltage	VLO	—	3.3	VCC	V	—
Chopping frequency	fchop(range)	40	70	150	kHz	—
VREF input voltage	VREF	GND	2.0	4.0	V	—

Note1: When HBMODE is set to high. Please make sure that the peak current level of each H-bridge is kept under 4.5 A at all times. Also, calculate the generating heat under the usage condition, and set the maximum current with a reasonable margin. The motor current may be limited depending on ambient temperature and PCB layouts (heat conditions).

Note2: When HBMODE is set to low. Please make sure that the current level of each H-bridge is kept under 4.5 A at all times. Also, calculate the generating heat under the usage condition, and set the maximum current with a reasonable margin. The motor current may be limited depending on ambient temperature and PCB layouts (heat conditions).

conditions).

### Electrical characteristics 1 (Ta = 25°C and VM = 24 V, unless otherwise specified)

Characteristics	Symbol	Test condition	Min	Typ.	Max	Unit	
Logic input voltage	VIN(H)	High level (Note)	2.0	—	5.5	V	
	VIN(L)	Low level (Note)	0	—	0.8	V	
Logic input hysteresis voltage	VIN(HYS)	Hysteresis voltage	0.1	—	0.3	V	
Logic input current	IIN(H)	Input voltage =3.3 V	—	33	—	μA	
	IIN(L)	Input voltage =0 V	—	—	1	μA	
LO output pin voltage	VOL(LO)	IOL=5 mA LO=Low	—	0.2	0.5	V	
Current consumption	IM1	Standby mode	—	2	—	mA	
	IM2	OUT: OPEN, INA1, INA2, INB1, and INB2: Low, Standby mode: Release	3	5	7	mA	
	IM3	OUT: OPEN, Standby mode: Release	4	6	8	mA	
Output leakage current	High-side	IOH	VM=50 V, VOUT=0 V	—	—	1	μA
	Low-side	IOL	VM=VOUT=50 V	1	—	—	μA
Motor current channel differential	ΔIout1	Current differential between channels	-5	0	5	%	
Motor current setting differential	ΔIout2	Iout=2.25 A, HBMODE=Low	-5	0	5	%	
Motor output ON-resistance ( High-side + Low-side)	Ron(H+L)	Tj=25°C, Forward direction (High + Low side)	—	0.33	0.45	Ω	

Note: VIN(H) is defined as the VIN voltage that causes the outputs (OUTA+, OUTA-, OUTB+ and OUTB-) to change when a pin under test is gradually raised from 0 V. VIN(L) is defined as the VIN voltage that causes the outputs (OUTA+, OUTA-, OUTB+ and OUTB-) to change when the pin is then gradually lowered. The difference between VIN(H) and VIN(L) is defined as the VIN(HYS).



### Electrical characteristics 2 (Ta = 25°C and VM = 24 V, unless otherwise specified)

Characteristics	Symbol	Test condition	Min	Typ.	Max	Unit
VREF input current	IREF	VREF=2.0 V	—	0	1	μA
VCC voltage	VCC	ICC=5.0 mA	4.75	5.0	5.25	V
VCC current	ICC	VCC=5.0 V	—	2.5	5.0	mA
VREF gain	VREF(gain)	VREF=2.0 V, HBMODE=Low	—	1.125	—	A/V
Thermal shutdown (TSD) threshold (Note1)	TjTSD	—	145	160	175	°C
VM power-on-reset threshold	VMPOR(H)	POR release	6.5	7.5	8.5	V
	VMPOR(L)	POR detect	6.0	7.0	8.0	V
Over current detection (ISD) threshold (Note2)	ISD	—	5.0	6.0	7.0	A

#### Note1: Thermal shutdown (TSD)

When the TB67H420FTG detects an over temperature, the internal circuit turns off the output MOSFETs. Noise filter is built in to avoid TSD misdetection, which may be triggered by external noise. Reassert the VM power supply or use the standby mode to restart the device. The TSD is triggered when the device is over heated irregularly. Make sure not to use the TSD function aggressively.

#### Note2: Over current detection (ISD)

When the TB67H420FTG detects an over current, the internal circuits turns off the output MOSFETs. Noise filter is built in to avoid ISD misdetection, which may be triggered by external noise. Reassert the VM power supply or use the standby mode to restart the device. The ISD is triggered when the motor current is over rated irregularly. Make sure not to use the ISD function aggressively.

#### Back-EMF

While a motor is rotating, there is a timing at which power is fed back to the power supply. At that timing, the motor current recirculates back to the power supply due to the effect of the motor back-EMF.

If the power supply does not have enough sink capability, the power supply and output pins of the device might rise above the rated voltages. The magnitude of the motor back-EMF varies with usage conditions and motor characteristics. It must be fully verified that there is no risk that the TB67H420FTG or other components will be damaged or fail due to the motor back-EMF.

#### Cautions on Overcurrent Shutdown (ISD) and Thermal Shutdown (TSD)

The ISD and TSD circuits are only intended to provide temporary protection against irregular conditions such as an output short-circuit; they do not necessarily guarantee the complete IC safety.

If the device is used beyond the specified operating ranges, these circuits may not operate properly: then the device may be damaged due to an output short-circuit.

The ISD circuit is only intended to provide a temporary protection against an output short-circuit. If such a condition persists for a long time, the device may be damaged due to overstress. Overcurrent conditions must be removed immediately by external hardware.

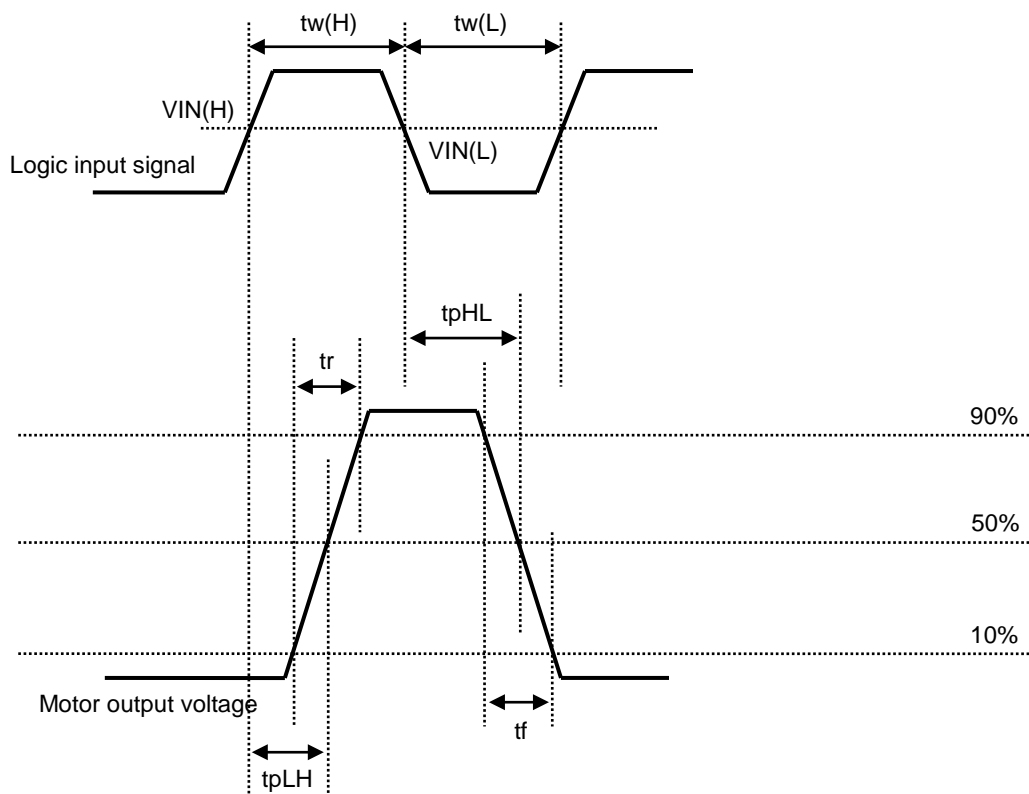
#### IC Mounting

Do not insert devices incorrectly or in the wrong orientation. Otherwise, it may cause breakdown, damage and/or deterioration of the device.

**AC electrical characteristics (Ta = 25°C and VM = 24 V, unless otherwise specified)**

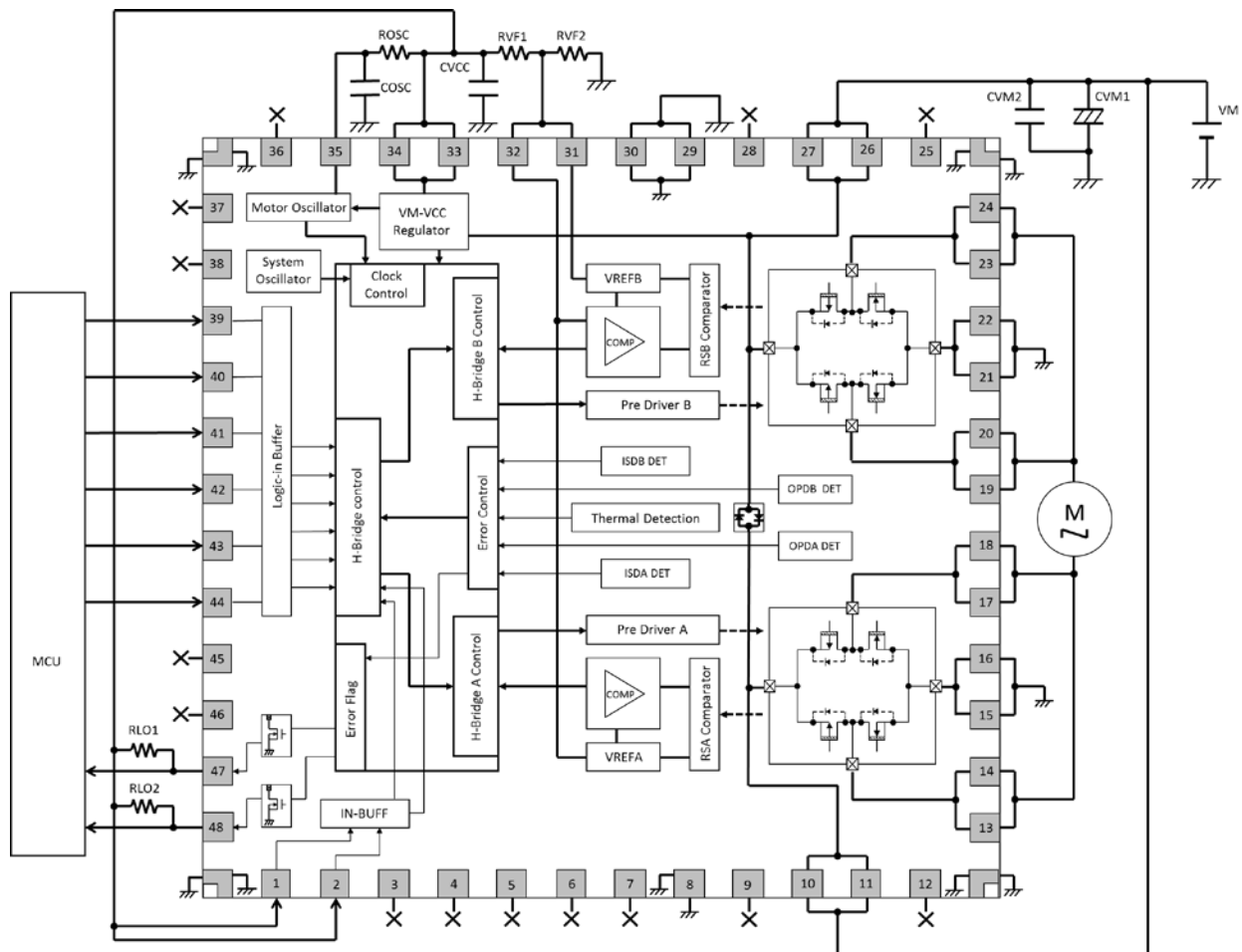
Characteristics	Symbol	Test condition	Min	Typ.	Max	Unit
Minimum logic 'High' pulse width	tw(H)	Logic input signal	500	—	—	ns
Minimum logic 'Low' pulse width	tw(L)	Logic input signal	500	—	—	ns
Output MOSFET switching specifications	tr	—	60	110	160	ns
	tf	—	60	110	160	ns
	tpLH	IN1, IN2, and PWM to OUT	—	500	—	ns
	tpHL	IN1, IN2, and PWM to OUT	—	500	—	ns
OSCM oscillator accuracy	$\Delta f_{OSCM1}$	COSC=270 pF, RO SC=5.1 k $\Omega$	-15	—	+15	%
	$\Delta f_{OSCM2}$	COSC: GND short RO SC: Open	-20	—	+20	%
PWM chopping frequency	fchop1	COSC=270 pF, RO SC=5.1 k $\Omega$	—	67	—	kHz
	fchop2	COSC: GND short RO SC: Open	—	57	—	kHz

**AC characteristics timing chart**



The timing chart may be simplified for explanatory purpose.

### Application circuit example



The application circuits shown in this document are provided for reference purposes only, and are not guaranteed for mass production.

Component values (for reference)

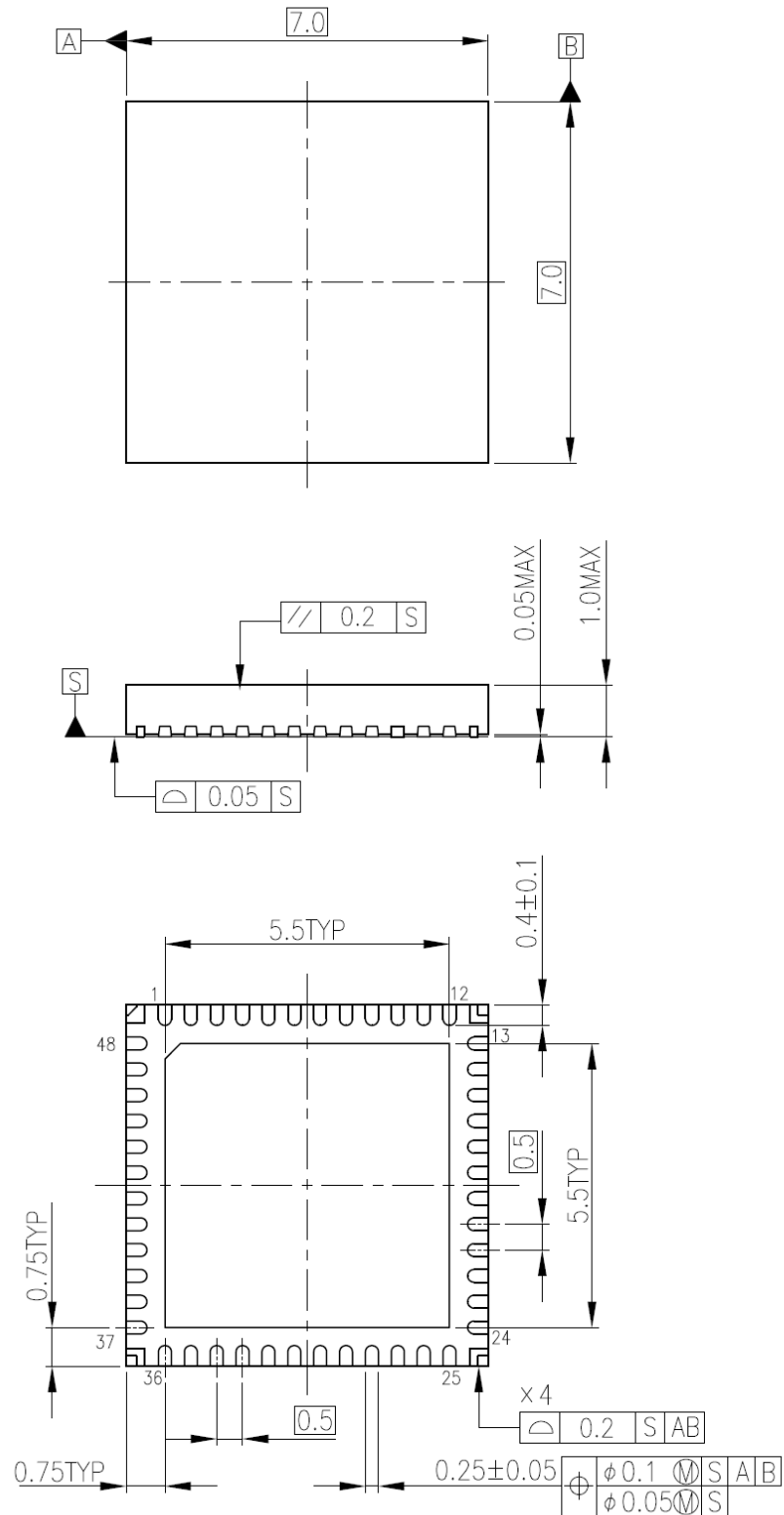
Symbol	Component	Reference constant number
CVM1	Electrolytic capacitor	100 $\mu$ F (CVM1 $\geq$ 10 $\mu$ F)
CVM2	Ceramic capacitor	(0.1 $\mu$ F)
RVF1, RVF2	Resistor	(10 k $\Omega$ $\leq$ RVF1+RVF2 $\leq$ 50 k $\Omega$ ) when using a voltage divider
CVCC	Ceramic capacitor	0.1 $\mu$ F
ROSC	Resistor	5.1 k $\Omega$ (1.8 k $\Omega$ to 8.2 k $\Omega$ )
COSC	Ceramic capacitor	270 pF
RLO1, RLO2	Resistor	10 k $\Omega$ (10 k $\Omega$ to 100 k $\Omega$ )

Values mentioned in the table above are for reference only. They are not necessary limited and can be adjusted per each usage condition.

## Package dimensions

Unit: mm

P-VQFN48-0707-0.50-004



Weight 0.14 g (typ.)

**Notes on Contents****1. Block Diagrams**

Some of the functional blocks, circuits, or constants in the block diagram may be omitted or simplified for explanatory purposes.

**2. Equivalent Circuits**

The equivalent circuit diagrams may be simplified or some parts of them may be omitted for explanatory purposes.

**3. Timing Charts**

Timing charts may be simplified for explanatory purposes.

**4. Application Circuits**

The application circuits shown in this document are provided for reference purposes only. Thorough evaluation is required at the mass production design stage. Any license to any industrial property rights is not granted by provision of these application circuit examples.

**IC Usage Considerations****Notes on handling of ICs**

- (1) The absolute maximum ratings of a semiconductor device are a set of ratings that must not be exceeded, even for a moment. Do not exceed any of these ratings. Exceeding the rating(s) may cause device breakdown, damage or deterioration, and may result in injury by explosion or combustion.
- (2) Use an appropriate power supply fuse to ensure that a large current does not continuously flow in the case of over-current and/or IC failure. The IC will fully break down when used under conditions that exceed its absolute maximum ratings, when the wiring is routed improperly or when an abnormal pulse noise occurs from the wiring or load, causing a large current to continuously flow and the breakdown can lead to smoke or ignition. To minimize the effects of the flow of a large current in the case of breakdown, appropriate settings, such as fuse capacity, fusing time and insertion circuit location, are required.
- (3) If your design includes an inductive load such as a motor coil, incorporate a protection circuit into the design to prevent device malfunction or breakdown caused by the current resulting from the inrush current at power ON or the negative current resulting from the back electromotive force at power OFF. IC breakdown may cause injury, smoke or ignition. Use a stable power supply with ICs with built-in protection functions. If the power supply is unstable, the protection function may not operate, causing IC breakdown. IC breakdown may cause injury, smoke or ignition.
- (4) Do not insert devices in the wrong orientation or incorrectly. Make sure that the positive and negative terminals of power supplies are connected properly. Otherwise, the current or power consumption may exceed the absolute maximum rating, and exceeding the rating(s) may cause device breakdown, damage or deterioration, and may result in injury by explosion or combustion. In addition, do not use any device that has been inserted incorrectly.
- (5) Please take extra care when selecting external components (such as power amps and regulators) or external devices (for instance, speakers). When large amounts of leak current occur from capacitors, the DC output level may increase. If the output is connected to devices such as speakers with low resist voltage, overcurrent or IC failure may cause smoke or ignition. (The over-current may cause smoke or ignition from the IC itself.) In particular, please pay attention when using a Bridge Tied Load (BTL) connection-type IC that inputs output DC voltage to a speaker directly.

**Points to remember on handling of ICs****Over current detection circuit**

Over current detection circuits (referred to as current limiter circuits) do not necessarily protect ICs under all circumstances. If the Over current detection circuits operate against the over current, clear the over current status immediately.

Depending on the method of use and usage conditions, such as exceeding absolute maximum ratings can cause the over current protection circuit to not operate properly or IC breakdown before operation. In addition, depending on the method of use and usage conditions, if over current continues to flow for a long time after operation, the IC may generate heat resulting in breakdown.

**Thermal Shutdown Circuit**

Thermal shutdown circuits do not necessarily protect ICs under all circumstances. If the thermal shutdown circuits operate against the over temperature, clear the heat generation status immediately.

Depending on the method of use and usage conditions, such as exceeding absolute maximum ratings can cause the thermal shutdown circuit to not operate properly or IC breakdown before operation.

**Heat Radiation Design**

In using an IC with large current flow such as power amp, regulator or driver, please design the device so that heat is appropriately radiated, not to exceed the specified junction temperature ( $T_j$ ) at any time and condition. These ICs generate heat even during normal use. An inadequate IC heat radiation design can lead to decrease in IC life, deterioration of IC characteristics or IC breakdown. In addition, please design the device taking into consideration the effect of IC heat radiation with peripheral components.

**Back-EMF**

When a motor reverses the rotation in the reverse direction, stops or slows down abruptly, a current flow back to the motor's power supply due to the effect of back-EMF. If the current sink capability of the power supply is small, the device's motor power supply and output pins might be exposed to conditions beyond maximum ratings. To avoid this problem, take the effect of back-EMF into consideration in system design.

## RESTRICTIONS ON PRODUCT USE

Toshiba Corporation and its subsidiaries and affiliates are collectively referred to as "TOSHIBA". Hardware, software and systems described in this document are collectively referred to as "Product".

- TOSHIBA reserves the right to make changes to the information in this document and related Product without notice.
- This document and any information herein may not be reproduced without prior written permission from TOSHIBA. Even with TOSHIBA's written permission, reproduction is permissible only if reproduction is without alteration/omission.
- Though TOSHIBA works continually to improve Product's quality and reliability, Product can malfunction or fail. Customers are responsible for complying with safety standards and for providing adequate designs and safeguards for their hardware, software and systems which minimize risk and avoid situations in which a malfunction or failure of Product could cause loss of human life, bodily injury or damage to property, including data loss or corruption. Before customers use the Product, create designs including the Product, or incorporate the Product into their own applications, customers must also refer to and comply with (a) the latest versions of all relevant TOSHIBA information, including without limitation, this document, the specifications, the data sheets and application notes for Product and the precautions and conditions set forth in the "TOSHIBA Semiconductor Reliability Handbook" and (b) the instructions for the application with which the Product will be used with or for. Customers are solely responsible for all aspects of their own product design or applications, including but not limited to (a) determining the appropriateness of the use of this Product in such design or applications; (b) evaluating and determining the applicability of any information contained in this document, or in charts, diagrams, programs, algorithms, sample application circuits, or any other referenced documents; and (c) validating all operating parameters for such designs and applications. **TOSHIBA ASSUMES NO LIABILITY FOR CUSTOMERS' PRODUCT DESIGN OR APPLICATIONS.**
- **PRODUCT IS NEITHER INTENDED NOR WARRANTED FOR USE IN EQUIPMENTS OR SYSTEMS THAT REQUIRE EXTRAORDINARILY HIGH LEVELS OF QUALITY AND/OR RELIABILITY, AND/OR A MALFUNCTION OR FAILURE OF WHICH MAY CAUSE LOSS OF HUMAN LIFE, BODILY INJURY, SERIOUS PROPERTY DAMAGE AND/OR SERIOUS PUBLIC IMPACT ("UNINTENDED USE").** Except for specific applications as expressly stated in this document, Unintended Use includes, without limitation, equipment used in nuclear facilities, equipment used in the aerospace industry, lifesaving and/or life supporting medical equipment, equipment used for automobiles, trains, ships and other transportation, traffic signaling equipment, equipment used to control combustions or explosions, safety devices, elevators and escalators, and devices related to power plant. **IF YOU USE PRODUCT FOR UNINTENDED USE, TOSHIBA ASSUMES NO LIABILITY FOR PRODUCT.** For details, please contact your TOSHIBA sales representative or contact us via our website.
- Do not disassemble, analyze, reverse-engineer, alter, modify, translate or copy Product, whether in whole or in part.
- Product shall not be used for or incorporated into any products or systems whose manufacture, use, or sale is prohibited under any applicable laws or regulations.
- The information contained herein is presented only as guidance for Product use. No responsibility is assumed by TOSHIBA for any infringement of patents or any other intellectual property rights of third parties that may result from the use of Product. No license to any intellectual property right is granted by this document, whether express or implied, by estoppel or otherwise.
- **ABSENT A WRITTEN SIGNED AGREEMENT, EXCEPT AS PROVIDED IN THE RELEVANT TERMS AND CONDITIONS OF SALE FOR PRODUCT, AND TO THE MAXIMUM EXTENT ALLOWABLE BY LAW, TOSHIBA (1) ASSUMES NO LIABILITY WHATSOEVER, INCLUDING WITHOUT LIMITATION, INDIRECT, CONSEQUENTIAL, SPECIAL, OR INCIDENTAL DAMAGES OR LOSS, INCLUDING WITHOUT LIMITATION, LOSS OF PROFITS, LOSS OF OPPORTUNITIES, BUSINESS INTERRUPTION AND LOSS OF DATA, AND (2) DISCLAIMS ANY AND ALL EXPRESS OR IMPLIED WARRANTIES AND CONDITIONS RELATED TO SALE, USE OF PRODUCT, OR INFORMATION, INCLUDING WARRANTIES OR CONDITIONS OF MERCHANTABILITY, FITNESS FOR A PARTICULAR PURPOSE, ACCURACY OF INFORMATION, OR NONINFRINGEMENT.**
- Do not use or otherwise make available Product or related software or technology for any military purposes, including without limitation, for the design, development, use, stockpiling or manufacturing of nuclear, chemical, or biological weapons or missile technology products (mass destruction weapons). Product and related software and technology may be controlled under the applicable export laws and regulations including, without limitation, the Japanese Foreign Exchange and Foreign Trade Law and the U.S. Export Administration Regulations. Export and re-export of Product or related software or technology are strictly prohibited except in compliance with all applicable export laws and regulations.
- Please contact your TOSHIBA sales representative for details as to environmental matters such as the RoHS compatibility of Product. Please use Product in compliance with all applicable laws and regulations that regulate the inclusion or use of controlled substances, including without limitation, the EU RoHS Directive. **TOSHIBA ASSUMES NO LIABILITY FOR DAMAGES OR LOSSES OCCURRING AS A RESULT OF NONCOMPLIANCE WITH APPLICABLE LAWS AND REGULATIONS.**