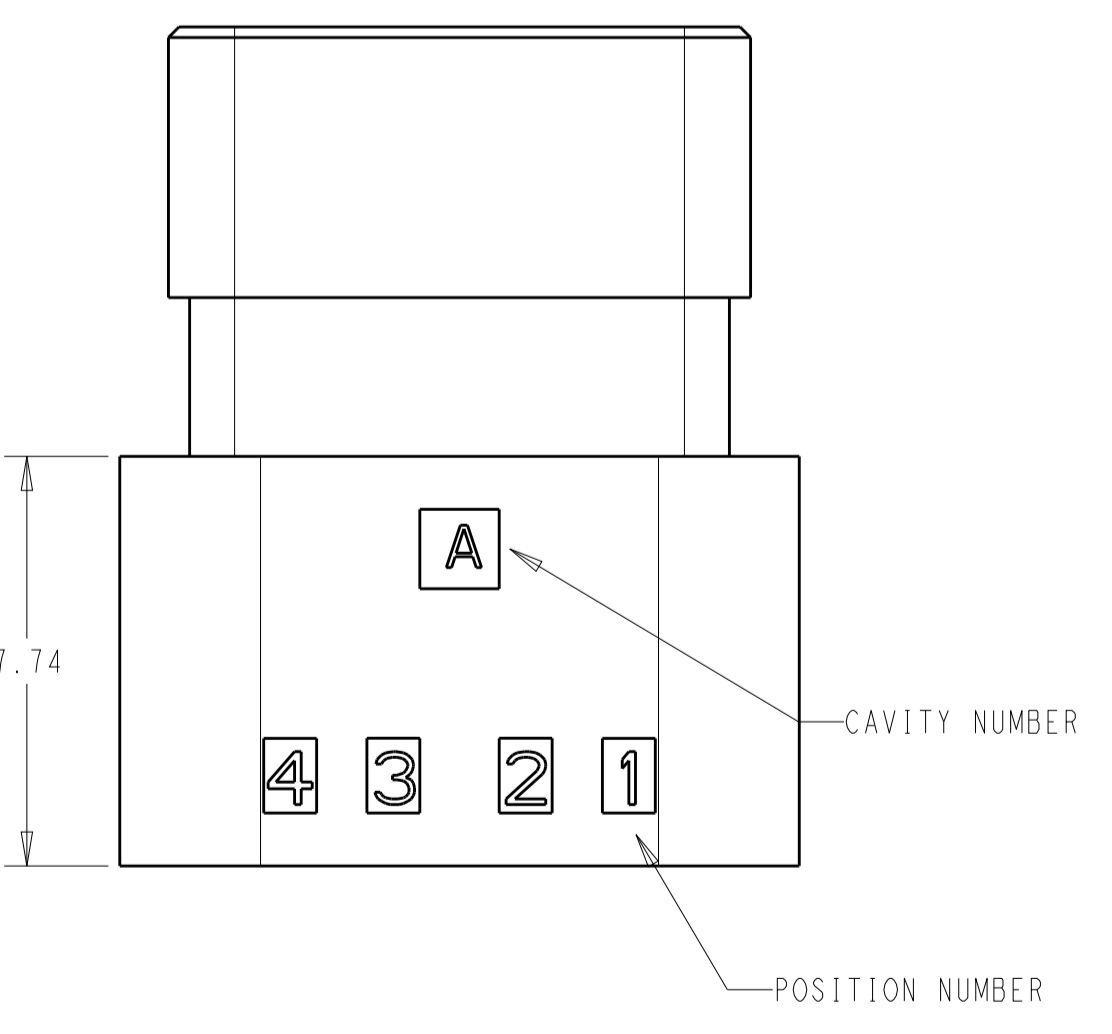
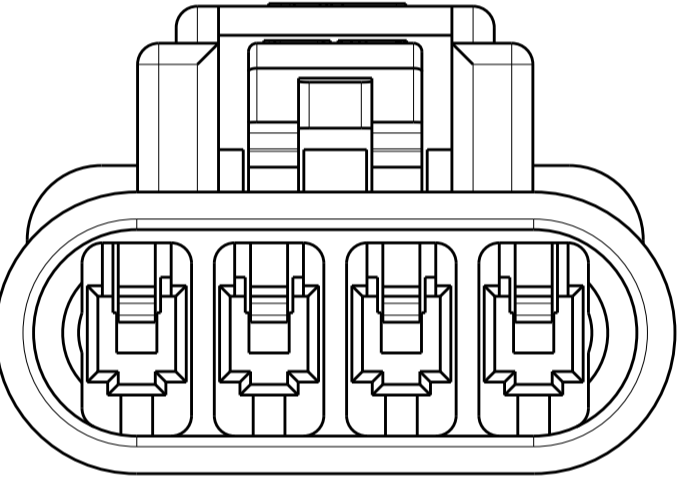
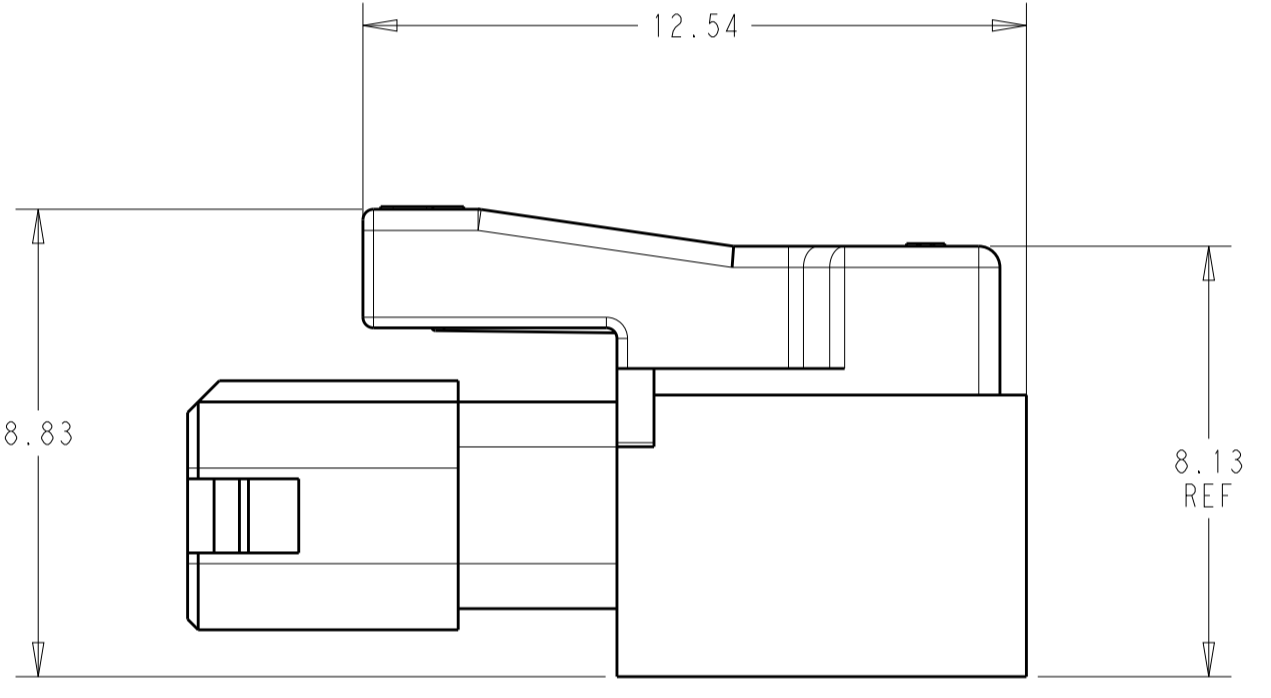
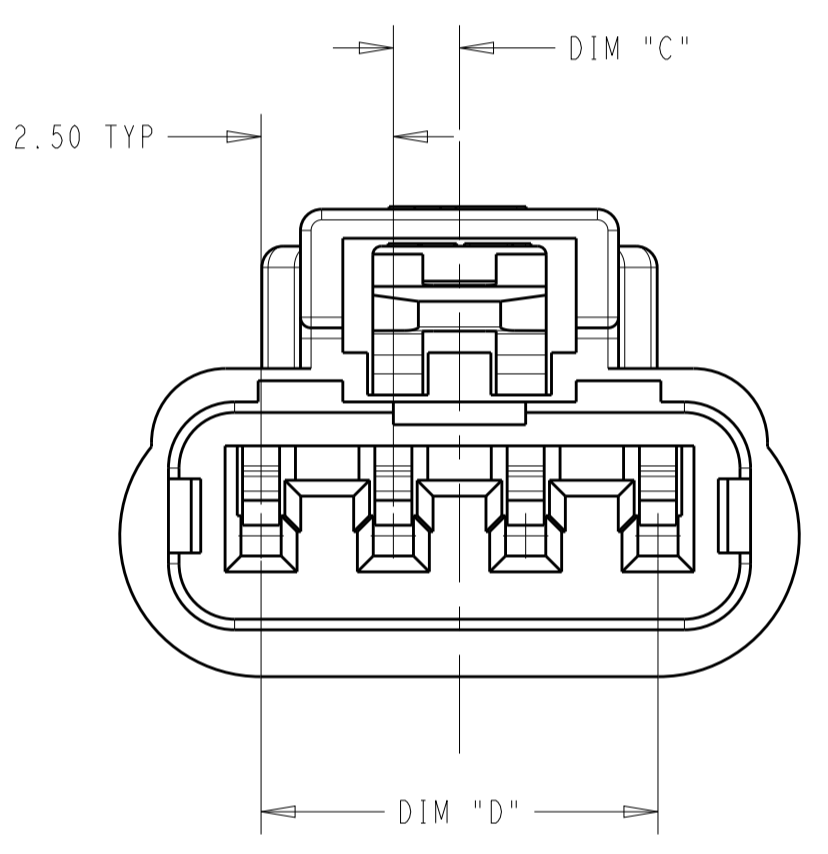
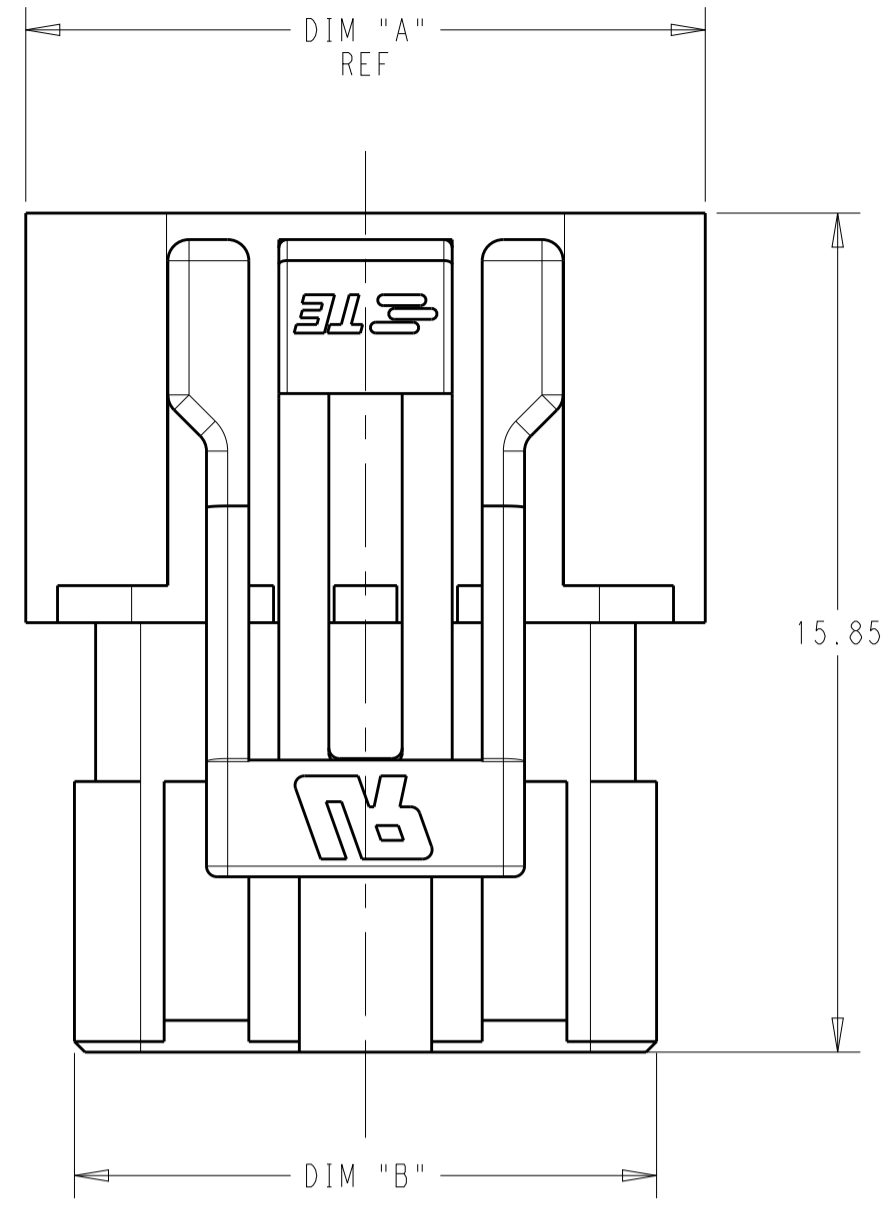
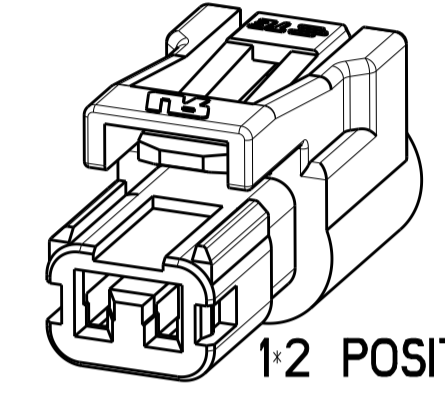


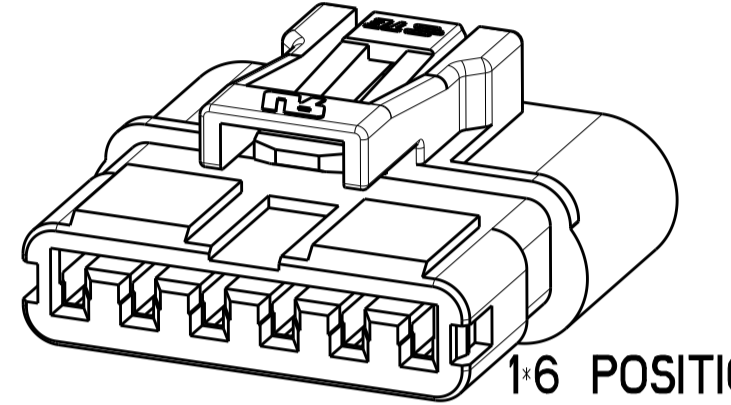
REVISIONS				
P.	LTN	DESCRIPTION	DATE	OWN APVD
A		NEW RELEASE	12FEB2020	L.C D. 2



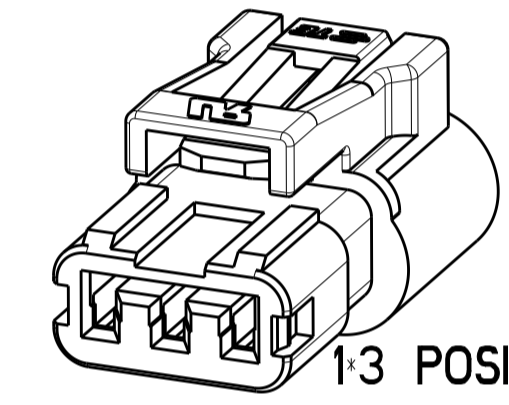
- 1 MATERIAL: PA66, UL94V-0, COLOR: NATURAL
2. APPLICABLE CONTACT P/N
2321921-1 OR 1-2321921-1
3. MATING CONNECTOR P/N
RECEP HSG: 2321926-*/2321924-
TPA (OPTIONAL): 2321919-
PERIMETER SEAL: 2321920-
GANG SEAL: 2321922-*
- 4 COMPLY WITH GLOW WIRE REQUIREMENTS FOR PARTS OF NON-METALLIC MATERIAL SUPPORTING A CURRENT-CARRYING CONNECTION DETAILED IN IEC 60335-1, SECTION 30(GWT)
- 5 PRELIMINARY PART - NOT RELEASED FOR PRODUCTION
THIS PART HAS NOT COMPLETED QUALIFICATION TESTING



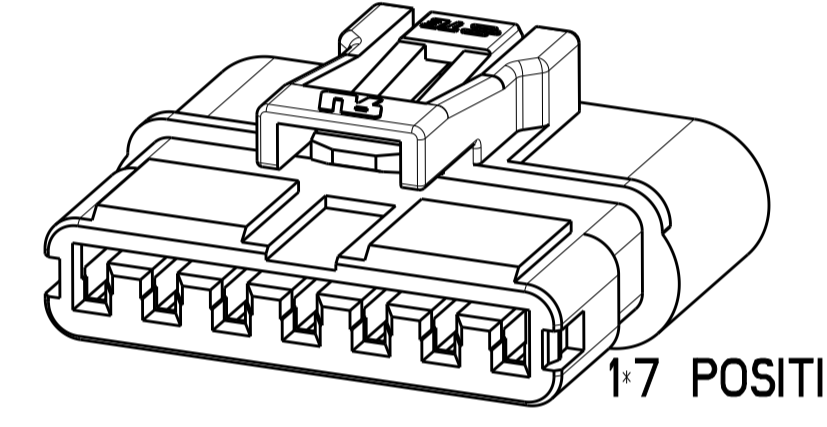
12 POSITION



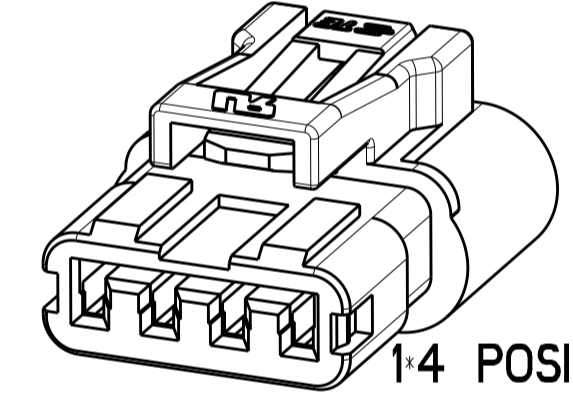
16 POSITION



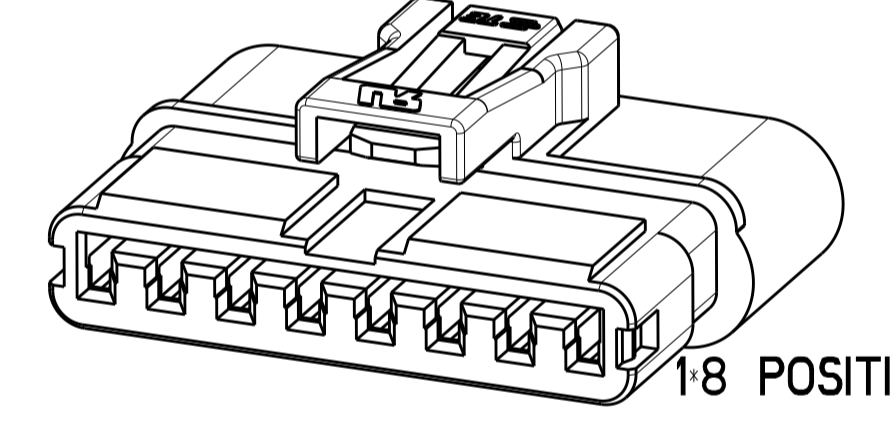
13 POSITION



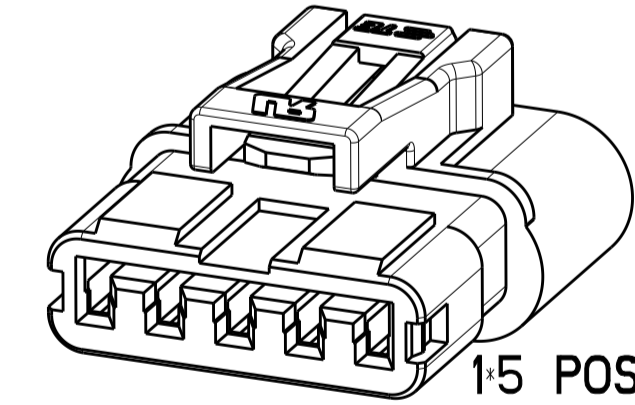
17 POSITION



14 POSITION



18 POSITION



15 POSITION

17.50	1.25	21.00	22.84	1*8	2321918-8
15.00	0	18.50	20.34	1*7	2321918-7
12.50	1.25	16.00	17.84	1*6	2321918-6
10.00	0	13.50	15.34	1*5	2321918-5
7.50	1.25	11.00	12.84	1*4	2321918-4
5.00	0	8.50	10.34	1*3	2321918-3
2.50	1.25	6.00	7.84	1*2	2321918-2
DIM "C"	DIM "C"	DIM "B"	DIM "A"	POSN	PART NUMBER

THIS DRAWING IS A CONTROLLED DOCUMENT.

OWN: B. WEAVER 15FEB2019
CHK: S. FERNANDES 15FEB2019
APVD: C. YI 15FEB2019

TE TE Connectivity

NAME: PLUG HOUSING, SDL 2.5 WATERPROOF

PRODUCT SPEC: 108-143069
APPLICATION SPEC: 114-143067

SIZE: A1 CAGE CODE: 00779 DRAWING NO: 2321918

RESTRICTED TO: A

MATERIAL: PA66 FINISH: - WEIGHT: -
CUSTOMER DRAWING SCALE: 4:1 SHEET 1 OF 1 REV A