

The S-1002 Series is a high-accuracy voltage detector developed using CMOS technology. The detection voltage is fixed internally with an accuracy of $\pm 1.0\%$ ($-V_{\text{DET(S)}} \geq 2.2 \text{ V}$). It operates with current consumption of 500 nA typ.

Apart from the power supply pin, the detection voltage input pin (SENSE pin) is also prepared, so the output is stable even if the SENSE pin falls to 0 V.

Two output forms Nch open-drain output and CMOS output are available.

■ Features

- Detection voltage: 1.0 V to 5.0 V (0.1 V step)
- Detection voltage accuracy: $\pm 1.0\%$ ($2.2 \text{ V} \leq -V_{\text{DET(S)}} \leq 5.0 \text{ V}$)
 $\pm 22 \text{ mV}$ ($1.0 \text{ V} \leq -V_{\text{DET(S)}} < 2.2 \text{ V}$)
- Current consumption: 500 nA typ.
- Operation voltage range: 0.95 V to 10.0 V
- Hysteresis width: $5\% \pm 2\%$
- Output form: Nch open-drain output (Active "L")
CMOS output (Active "L")
- Operation temperature range: $T_a = -40^\circ\text{C}$ to $+85^\circ\text{C}$
- Lead-free (Sn 100%), halogen-free

■ Applications

- Power supply monitor for microcomputer and reset for CPU
- Constant voltage power supply monitor for TV, Blu-ray recorder and home appliance
- Power supply monitor for portable devices such as notebook PC, digital still camera and mobile phone

■ Packages

- SOT-23-5
- SC-82AB

■ **Block Diagrams**

1. **S-1002 Series NA / NB type (Nch open-drain output)**



Function	Status
Output logic	Active "L"

*1. Parasitic diode

Figure 1

2. **S-1002 Series CA / CB type (CMOS output)**



Function	Status
Output logic	Active "L"

*1. Parasitic diode

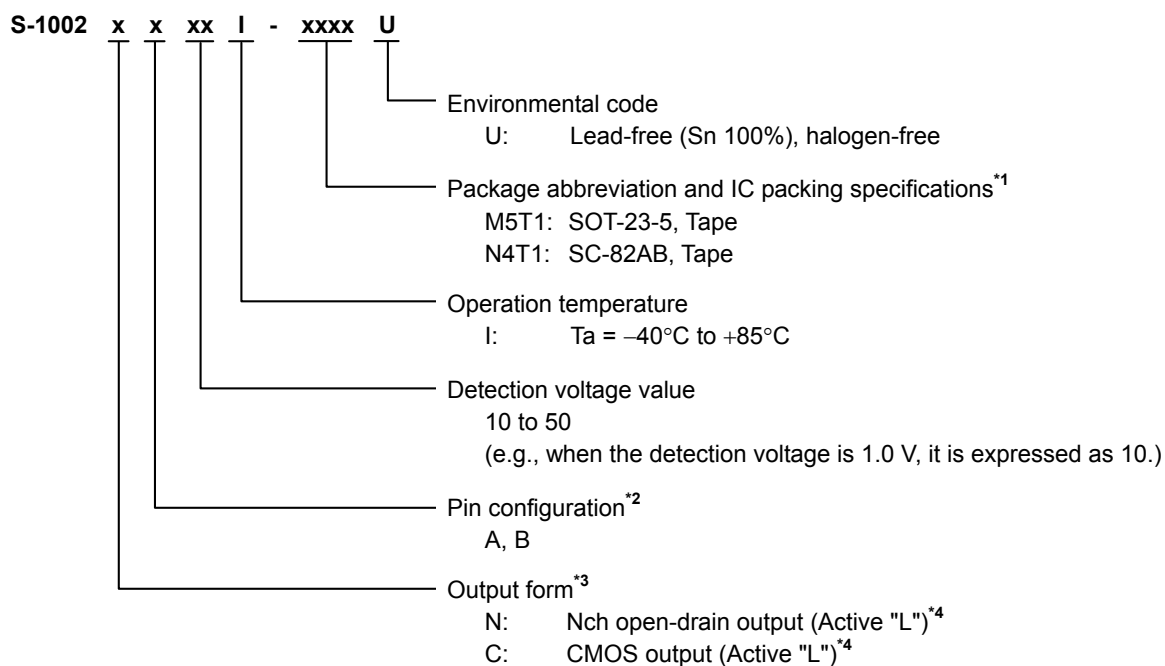
Figure 2

■ Product Name Structure

Users can select the output form, detection voltage value, and package type for the S-1002 Series.

Refer to "1. Product name" regarding the contents of product name, "2. Function list of product types" regarding the product types, "3. Packages" regarding the package drawings and "4. Product name list" regarding details of product name.

1. Product name



*1. Refer to the tape drawing.

*2. Refer to "■ Pin Configurations".

*3. Refer to "2. Function list of product types".

*4. If you request the product with output logic active "H", contact our sales office.

2. Function list of product types

Table 1

Product Type	Output Form	Output Logic	Pin Configuration	Package
NA	Nch open-drain output	Active "L"	A	SOT-23-5
NB		Active "L"	B	SOT-23-5, SC-82AB
CA	CMOS output	Active "L"	A	SOT-23-5
CB		Active "L"	B	SOT-23-5, SC-82AB

3. Packages

Table 2 Package Drawing Codes

Package Name	Dimension	Tape	Reel
SOT-23-5	MP005-A-P-SD	MP005-A-C-SD	MP005-A-R-SD
SC-82AB	NP004-A-P-SD	NP004-A-C-SD	NP004-A-R-SD
		NP004-A-C-S1	

4. Product name list

4.1 S-1002 Series NA type

Output form: Nch open-drain output (Active "L")

Table 3

Detection Voltage	SOT-23-5
1.0 V ± 22 mV	S-1002NA10I-M5T1U
1.1 V ± 22 mV	S-1002NA11I-M5T1U
1.2 V ± 22 mV	S-1002NA12I-M5T1U
1.3 V ± 22 mV	S-1002NA13I-M5T1U
1.4 V ± 22 mV	S-1002NA14I-M5T1U
1.5 V ± 22 mV	S-1002NA15I-M5T1U
1.6 V ± 22 mV	S-1002NA16I-M5T1U
1.7 V ± 22 mV	S-1002NA17I-M5T1U
1.8 V ± 22 mV	S-1002NA18I-M5T1U
1.9 V ± 22 mV	S-1002NA19I-M5T1U
2.0 V ± 22 mV	S-1002NA20I-M5T1U
2.1 V ± 22 mV	S-1002NA21I-M5T1U
2.2 V ± 1.0%	S-1002NA22I-M5T1U
2.3 V ± 1.0%	S-1002NA23I-M5T1U
2.4 V ± 1.0%	S-1002NA24I-M5T1U
2.5 V ± 1.0%	S-1002NA25I-M5T1U
2.6 V ± 1.0%	S-1002NA26I-M5T1U
2.7 V ± 1.0%	S-1002NA27I-M5T1U
2.8 V ± 1.0%	S-1002NA28I-M5T1U
2.9 V ± 1.0%	S-1002NA29I-M5T1U
3.0 V ± 1.0%	S-1002NA30I-M5T1U
3.1 V ± 1.0%	S-1002NA31I-M5T1U
3.2 V ± 1.0%	S-1002NA32I-M5T1U
3.3 V ± 1.0%	S-1002NA33I-M5T1U
3.4 V ± 1.0%	S-1002NA34I-M5T1U
3.5 V ± 1.0%	S-1002NA35I-M5T1U
3.6 V ± 1.0%	S-1002NA36I-M5T1U
3.7 V ± 1.0%	S-1002NA37I-M5T1U
3.8 V ± 1.0%	S-1002NA38I-M5T1U
3.9 V ± 1.0%	S-1002NA39I-M5T1U
4.0 V ± 1.0%	S-1002NA40I-M5T1U
4.1 V ± 1.0%	S-1002NA41I-M5T1U
4.2 V ± 1.0%	S-1002NA42I-M5T1U
4.3 V ± 1.0%	S-1002NA43I-M5T1U
4.4 V ± 1.0%	S-1002NA44I-M5T1U
4.5 V ± 1.0%	S-1002NA45I-M5T1U
4.6 V ± 1.0%	S-1002NA46I-M5T1U
4.7 V ± 1.0%	S-1002NA47I-M5T1U
4.8 V ± 1.0%	S-1002NA48I-M5T1U
4.9 V ± 1.0%	S-1002NA49I-M5T1U
5.0 V ± 1.0%	S-1002NA50I-M5T1U

4.2 S-1002 Series NB type

Output form: Nch open-drain output (Active "L")

Table 4

Detection Voltage	SOT-23-5	SC-82AB
1.0 V ± 22 mV	S-1002NB10I-M5T1U	S-1002NB10I-N4T1U
1.1 V ± 22 mV	S-1002NB11I-M5T1U	S-1002NB11I-N4T1U
1.2 V ± 22 mV	S-1002NB12I-M5T1U	S-1002NB12I-N4T1U
1.3 V ± 22 mV	S-1002NB13I-M5T1U	S-1002NB13I-N4T1U
1.4 V ± 22 mV	S-1002NB14I-M5T1U	S-1002NB14I-N4T1U
1.5 V ± 22 mV	S-1002NB15I-M5T1U	S-1002NB15I-N4T1U
1.6 V ± 22 mV	S-1002NB16I-M5T1U	S-1002NB16I-N4T1U
1.7 V ± 22 mV	S-1002NB17I-M5T1U	S-1002NB17I-N4T1U
1.8 V ± 22 mV	S-1002NB18I-M5T1U	S-1002NB18I-N4T1U
1.9 V ± 22 mV	S-1002NB19I-M5T1U	S-1002NB19I-N4T1U
2.0 V ± 22 mV	S-1002NB20I-M5T1U	S-1002NB20I-N4T1U
2.1 V ± 22 mV	S-1002NB21I-M5T1U	S-1002NB21I-N4T1U
2.2 V ± 1.0%	S-1002NB22I-M5T1U	S-1002NB22I-N4T1U
2.3 V ± 1.0%	S-1002NB23I-M5T1U	S-1002NB23I-N4T1U
2.4 V ± 1.0%	S-1002NB24I-M5T1U	S-1002NB24I-N4T1U
2.5 V ± 1.0%	S-1002NB25I-M5T1U	S-1002NB25I-N4T1U
2.6 V ± 1.0%	S-1002NB26I-M5T1U	S-1002NB26I-N4T1U
2.7 V ± 1.0%	S-1002NB27I-M5T1U	S-1002NB27I-N4T1U
2.8 V ± 1.0%	S-1002NB28I-M5T1U	S-1002NB28I-N4T1U
2.9 V ± 1.0%	S-1002NB29I-M5T1U	S-1002NB29I-N4T1U
3.0 V ± 1.0%	S-1002NB30I-M5T1U	S-1002NB30I-N4T1U
3.1 V ± 1.0%	S-1002NB31I-M5T1U	S-1002NB31I-N4T1U
3.2 V ± 1.0%	S-1002NB32I-M5T1U	S-1002NB32I-N4T1U
3.3 V ± 1.0%	S-1002NB33I-M5T1U	S-1002NB33I-N4T1U
3.4 V ± 1.0%	S-1002NB34I-M5T1U	S-1002NB34I-N4T1U
3.5 V ± 1.0%	S-1002NB35I-M5T1U	S-1002NB35I-N4T1U
3.6 V ± 1.0%	S-1002NB36I-M5T1U	S-1002NB36I-N4T1U
3.7 V ± 1.0%	S-1002NB37I-M5T1U	S-1002NB37I-N4T1U
3.8 V ± 1.0%	S-1002NB38I-M5T1U	S-1002NB38I-N4T1U
3.9 V ± 1.0%	S-1002NB39I-M5T1U	S-1002NB39I-N4T1U
4.0 V ± 1.0%	S-1002NB40I-M5T1U	S-1002NB40I-N4T1U
4.1 V ± 1.0%	S-1002NB41I-M5T1U	S-1002NB41I-N4T1U
4.2 V ± 1.0%	S-1002NB42I-M5T1U	S-1002NB42I-N4T1U
4.3 V ± 1.0%	S-1002NB43I-M5T1U	S-1002NB43I-N4T1U
4.4 V ± 1.0%	S-1002NB44I-M5T1U	S-1002NB44I-N4T1U
4.5 V ± 1.0%	S-1002NB45I-M5T1U	S-1002NB45I-N4T1U
4.6 V ± 1.0%	S-1002NB46I-M5T1U	S-1002NB46I-N4T1U
4.7 V ± 1.0%	S-1002NB47I-M5T1U	S-1002NB47I-N4T1U
4.8 V ± 1.0%	S-1002NB48I-M5T1U	S-1002NB48I-N4T1U
4.9 V ± 1.0%	S-1002NB49I-M5T1U	S-1002NB49I-N4T1U
5.0 V ± 1.0%	S-1002NB50I-M5T1U	S-1002NB50I-N4T1U

4.3 S-1002 Series CA type

Output form: CMOS output (Active "L")

Table 5

Detection Voltage	SOT-23-5
1.0 V ± 22 mV	S-1002CA10I-M5T1U
1.1 V ± 22 mV	S-1002CA11I-M5T1U
1.2 V ± 22 mV	S-1002CA12I-M5T1U
1.3 V ± 22 mV	S-1002CA13I-M5T1U
1.4 V ± 22 mV	S-1002CA14I-M5T1U
1.5 V ± 22 mV	S-1002CA15I-M5T1U
1.6 V ± 22 mV	S-1002CA16I-M5T1U
1.7 V ± 22 mV	S-1002CA17I-M5T1U
1.8 V ± 22 mV	S-1002CA18I-M5T1U
1.9 V ± 22 mV	S-1002CA19I-M5T1U
2.0 V ± 22 mV	S-1002CA20I-M5T1U
2.1 V ± 22 mV	S-1002CA21I-M5T1U
2.2 V ± 1.0%	S-1002CA22I-M5T1U
2.3 V ± 1.0%	S-1002CA23I-M5T1U
2.4 V ± 1.0%	S-1002CA24I-M5T1U
2.5 V ± 1.0%	S-1002CA25I-M5T1U
2.6 V ± 1.0%	S-1002CA26I-M5T1U
2.7 V ± 1.0%	S-1002CA27I-M5T1U
2.8 V ± 1.0%	S-1002CA28I-M5T1U
2.9 V ± 1.0%	S-1002CA29I-M5T1U
3.0 V ± 1.0%	S-1002CA30I-M5T1U
3.1 V ± 1.0%	S-1002CA31I-M5T1U
3.2 V ± 1.0%	S-1002CA32I-M5T1U
3.3 V ± 1.0%	S-1002CA33I-M5T1U
3.4 V ± 1.0%	S-1002CA34I-M5T1U
3.5 V ± 1.0%	S-1002CA35I-M5T1U
3.6 V ± 1.0%	S-1002CA36I-M5T1U
3.7 V ± 1.0%	S-1002CA37I-M5T1U
3.8 V ± 1.0%	S-1002CA38I-M5T1U
3.9 V ± 1.0%	S-1002CA39I-M5T1U
4.0 V ± 1.0%	S-1002CA40I-M5T1U
4.1 V ± 1.0%	S-1002CA41I-M5T1U
4.2 V ± 1.0%	S-1002CA42I-M5T1U
4.3 V ± 1.0%	S-1002CA43I-M5T1U
4.4 V ± 1.0%	S-1002CA44I-M5T1U
4.5 V ± 1.0%	S-1002CA45I-M5T1U
4.6 V ± 1.0%	S-1002CA46I-M5T1U
4.7 V ± 1.0%	S-1002CA47I-M5T1U
4.8 V ± 1.0%	S-1002CA48I-M5T1U
4.9 V ± 1.0%	S-1002CA49I-M5T1U
5.0 V ± 1.0%	S-1002CA50I-M5T1U

4.4 S-1002 Series CB type

Output form: CMOS output (Active "L")

Table 6

Detection Voltage	SOT-23-5	SC-82AB
1.0 V ± 22 mV	S-1002CB10I-M5T1U	S-1002CB10I-N4T1U
1.1 V ± 22 mV	S-1002CB11I-M5T1U	S-1002CB11I-N4T1U
1.2 V ± 22 mV	S-1002CB12I-M5T1U	S-1002CB12I-N4T1U
1.3 V ± 22 mV	S-1002CB13I-M5T1U	S-1002CB13I-N4T1U
1.4 V ± 22 mV	S-1002CB14I-M5T1U	S-1002CB14I-N4T1U
1.5 V ± 22 mV	S-1002CB15I-M5T1U	S-1002CB15I-N4T1U
1.6 V ± 22 mV	S-1002CB16I-M5T1U	S-1002CB16I-N4T1U
1.7 V ± 22 mV	S-1002CB17I-M5T1U	S-1002CB17I-N4T1U
1.8 V ± 22 mV	S-1002CB18I-M5T1U	S-1002CB18I-N4T1U
1.9 V ± 22 mV	S-1002CB19I-M5T1U	S-1002CB19I-N4T1U
2.0 V ± 22 mV	S-1002CB20I-M5T1U	S-1002CB20I-N4T1U
2.1 V ± 22 mV	S-1002CB21I-M5T1U	S-1002CB21I-N4T1U
2.2 V ± 1.0%	S-1002CB22I-M5T1U	S-1002CB22I-N4T1U
2.3 V ± 1.0%	S-1002CB23I-M5T1U	S-1002CB23I-N4T1U
2.4 V ± 1.0%	S-1002CB24I-M5T1U	S-1002CB24I-N4T1U
2.5 V ± 1.0%	S-1002CB25I-M5T1U	S-1002CB25I-N4T1U
2.6 V ± 1.0%	S-1002CB26I-M5T1U	S-1002CB26I-N4T1U
2.7 V ± 1.0%	S-1002CB27I-M5T1U	S-1002CB27I-N4T1U
2.8 V ± 1.0%	S-1002CB28I-M5T1U	S-1002CB28I-N4T1U
2.9 V ± 1.0%	S-1002CB29I-M5T1U	S-1002CB29I-N4T1U
3.0 V ± 1.0%	S-1002CB30I-M5T1U	S-1002CB30I-N4T1U
3.1 V ± 1.0%	S-1002CB31I-M5T1U	S-1002CB31I-N4T1U
3.2 V ± 1.0%	S-1002CB32I-M5T1U	S-1002CB32I-N4T1U
3.3 V ± 1.0%	S-1002CB33I-M5T1U	S-1002CB33I-N4T1U
3.4 V ± 1.0%	S-1002CB34I-M5T1U	S-1002CB34I-N4T1U
3.5 V ± 1.0%	S-1002CB35I-M5T1U	S-1002CB35I-N4T1U
3.6 V ± 1.0%	S-1002CB36I-M5T1U	S-1002CB36I-N4T1U
3.7 V ± 1.0%	S-1002CB37I-M5T1U	S-1002CB37I-N4T1U
3.8 V ± 1.0%	S-1002CB38I-M5T1U	S-1002CB38I-N4T1U
3.9 V ± 1.0%	S-1002CB39I-M5T1U	S-1002CB39I-N4T1U
4.0 V ± 1.0%	S-1002CB40I-M5T1U	S-1002CB40I-N4T1U
4.1 V ± 1.0%	S-1002CB41I-M5T1U	S-1002CB41I-N4T1U
4.2 V ± 1.0%	S-1002CB42I-M5T1U	S-1002CB42I-N4T1U
4.3 V ± 1.0%	S-1002CB43I-M5T1U	S-1002CB43I-N4T1U
4.4 V ± 1.0%	S-1002CB44I-M5T1U	S-1002CB44I-N4T1U
4.5 V ± 1.0%	S-1002CB45I-M5T1U	S-1002CB45I-N4T1U
4.6 V ± 1.0%	S-1002CB46I-M5T1U	S-1002CB46I-N4T1U
4.7 V ± 1.0%	S-1002CB47I-M5T1U	S-1002CB47I-N4T1U
4.8 V ± 1.0%	S-1002CB48I-M5T1U	S-1002CB48I-N4T1U
4.9 V ± 1.0%	S-1002CB49I-M5T1U	S-1002CB49I-N4T1U
5.0 V ± 1.0%	S-1002CB50I-M5T1U	S-1002CB50I-N4T1U

■ **Pin Configurations**

1. S-1002 Series NA / CA type

1.1 SOT-23-5



Figure 3

Table 7 Pin Configuration A

Pin No.	Symbol	Description
1	OUT	Voltage detection output pin
2	VDD	Power supply pin
3	VSS	GND pin
4	NC*1	No connection
5	SENSE	Detection voltage input pin

*1. The NC pin is electrically open.
 The NC pin can be connected to the VDD pin or the VSS pin.

2. S-1002 Series NB / CB type

2.1 SOT-23-5



Figure 4

Table 8 Pin Configuration B

Pin No.	Symbol	Description
1	OUT	Voltage detection output pin
2	VSS	GND pin
3	VDD	Power supply pin
4	SENSE	Detection voltage input pin
5	NC*1	No connection

*1. The NC pin is electrically open.
 The NC pin can be connected to the VDD pin or the VSS pin.

2.2 SC-82AB



Figure 5

Table 9 Pin Configuration B

Pin No.	Symbol	Description
1	SENSE	Detection voltage input pin
2	VDD	Power supply pin
3	OUT	Voltage detection output pin
4	VSS	GND pin

■ Absolute Maximum Ratings

Table 10

(Ta = +25°C unless otherwise specified)

Item		Symbol	Absolute Maximum Rating	Unit
Power supply voltage		$V_{DD} - V_{SS}$	12.0	V
SENSE pin input voltage		V_{SENSE}	$V_{SS} - 0.3$ to 12.0	V
Output voltage	Nch open-drain output product	V_{OUT}	$V_{SS} - 0.3$ to 12.0	V
	CMOS output product		$V_{SS} - 0.3$ to $V_{DD} + 0.3$	V
Output current		I_{OUT}	50	mA
Power dissipation	SOT-23-5	P_D	600^{*1}	mW
	SC-82AB		350^{*1}	mW
Operation ambient temperature		T_{opr}	-40 to +85	°C
Storage temperature		T_{stg}	-40 to +125	°C

*1. When mounted on board
[Mounted board]

- (1) Board size: 114.3 mm × 76.2 mm × t1.6 mm
(2) Name: JEDEC STANDARD51-7

Caution The absolute maximum ratings are rated values exceeding which the product could suffer physical damage. These values must therefore not be exceeded under any conditions.

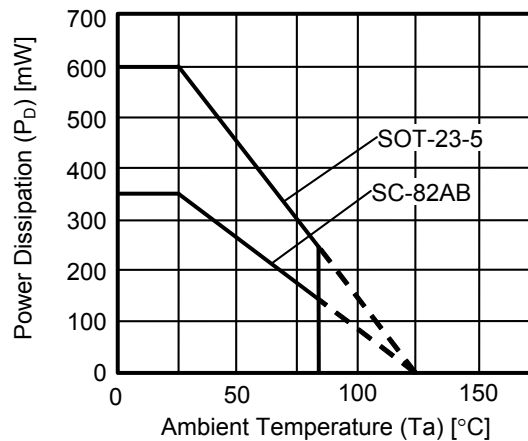


Figure 6 Power Dissipation of Package (When Mounted on Board)

■ **Electrical Characteristics**

1. **Nch open-drain output product**

Table 11

(Ta = +25°C unless otherwise specified)

Item	Symbol	Condition	Min.	Typ.	Max.	Unit	Test Circuit	
Detection voltage*1	-V _{DET}	0.95 V ≤ V _{DD} ≤ 10.0 V	1.0 V ≤ -V _{DET(S)} < 2.2 V	-V _{DET(S)} - 0.022	-V _{DET(S)}	-V _{DET(S)} + 0.022	V	1
			2.2 V ≤ -V _{DET(S)} ≤ 5.0 V	-V _{DET(S)} × 0.99	-V _{DET(S)}	-V _{DET(S)} × 1.01	V	1
Hysteresis width	V _{HYS}	-	-V _{DET} × 0.03	-V _{DET} × 0.05	-V _{DET} × 0.07	V	1	
Current consumption*2	I _{SS}	V _{DD} = 10.0 V, V _{SENSE} = -V _{DET(S)} + 1.0 V	-	0.50	0.90	μA	2	
Operation voltage	V _{DD}	-	0.95	-	10.0	V	1	
Output current	I _{OUT}	Output transistor Nch V _{DS} *3 = 0.5 V V _{SENSE} = 0.0 V	V _{DD} = 0.95 V	0.59	1.00	-	mA	3
			V _{DD} = 1.2 V	0.73	1.33	-	mA	3
			V _{DD} = 2.4 V	1.47	2.39	-	mA	3
			V _{DD} = 4.8 V	1.86	2.50	-	mA	3
Leakage current	I _{LEAK}	Output transistor Nch V _{DD} = 10.0 V, V _{DS} *3 = 10.0 V, V _{SENSE} = 10.0 V	-	-	0.08	μA	3	
Detection voltage temperature coefficient*4	$\frac{\Delta -V_{DET}}{\Delta Ta \bullet -V_{DET}}$	Ta = -40°C to +85°C	-	±100	±350	ppm/°C	1	
Detection delay time*5	t _{DET}	V _{DD} = 5.0 V	-	40	-	μs	4	
Release delay time*6	t _{RESET}	V _{DD} = 5.0 V	-V _{DET(S)} ≤ 2.4 V	-	40	-	μs	4
			2.4 V < -V _{DET(S)}	-	80	-	μs	4
SENSE pin resistance	R _{SENSE}	1.0 V ≤ -V _{DET(S)} < 1.2 V	5.0	19.0	42.0	MΩ	2	
		1.2 V ≤ -V _{DET(S)} ≤ 5.0 V	6.0	30.0	98.0	MΩ	2	

*1. -V_{DET}: Actual detection voltage value, -V_{DET(S)}: Set detection voltage value (the center value of the detection voltage range in **Table 3** or **Table 4**)

*2. The current flowing through the SENSE pin resistance is not included.

*3. V_{DS}: Drain-to-source voltage of the output transistor

*4. The temperature change of the detection voltage [mV/°C] is calculated by using the following equation.

$$\frac{\Delta -V_{DET}}{\Delta Ta} \text{ [mV/°C]}^{*1} = -V_{DET(S)} \text{ (typ.) [V]}^{*2} \times \frac{\Delta -V_{DET}}{\Delta Ta \bullet -V_{DET}} \text{ [ppm/°C]}^{*3} \div 1000$$

*1. Temperature change of the detection voltage

*2. Set detection voltage

*3. Detection voltage temperature coefficient

*5. The time period from when the pulse voltage of 6.0 V → -V_{DET(S)} - 2.0 V or 0 V is applied to the SENSE pin to when V_{OUT} reaches V_{DD} / 2, after the output pin is pulled up to 5.0 V by the resistance of 470 kΩ.

*6. The time period from when the pulse voltage of 0 V → -V_{DET(S)} + 2.0 V or 6.0 V is applied to the SENSE pin to when V_{OUT} reaches V_{DD} / 2, after the output pin is pulled up to 5.0 V by the resistance of 470 kΩ.

2. CMOS output product

Table 12

(Ta = +25°C unless otherwise specified)

Item	Symbol	Condition	Min.	Typ.	Max.	Unit	Test Circuit	
Detection voltage*1	-V _{DET}	0.95 V ≤ V _{DD} ≤ 10.0 V	1.0 V ≤ -V _{DET(S)} < 2.2 V	-V _{DET(S)} - 0.022	-V _{DET(S)}	-V _{DET(S)} + 0.022	V	1
			2.2 V ≤ -V _{DET(S)} ≤ 5.0 V	-V _{DET(S)} × 0.99	-V _{DET(S)}	-V _{DET(S)} × 1.01	V	1
Hysteresis width	V _{HYS}	-	-V _{DET} × 0.03	-V _{DET} × 0.05	-V _{DET} × 0.07	V	1	
Current consumption*2	I _{SS}	V _{DD} = 10.0 V, V _{SENSE} = -V _{DET(S)} + 1.0 V	-	0.50	0.90	μA	2	
Operation voltage	V _{DD}	-	0.95	-	10.0	V	1	
Output current	I _{OUT}	Output transistor Nch V _{DS} *3 = 0.5 V V _{SENSE} = 0.0 V	V _{DD} = 0.95 V	0.59	1.00	-	mA	3
			V _{DD} = 1.2 V	0.73	1.33	-	mA	3
			V _{DD} = 2.4 V	1.47	2.39	-	mA	3
			V _{DD} = 4.8 V	1.86	2.50	-	mA	3
		Output transistor Pch V _{DS} *3 = 0.5 V V _{SENSE} = 10.0 V	V _{DD} = 4.8 V	1.62	2.60	-	mA	5
		V _{DD} = 6.0 V	1.78	2.86	-	mA	5	
Detection voltage temperature coefficient*4	$\frac{\Delta -V_{DET}}{\Delta Ta \bullet -V_{DET}}$	Ta = -40°C to +85°C	-	±100	±350	ppm/°C	1	
Detection delay time*5	t _{DET}	V _{DD} = 5.0 V	-	40	-	μs	4	
Release delay time*6	t _{RESET}	V _{DD} = 5.0 V	-V _{DET(S)} ≤ 2.4 V	-	40	-	μs	4
			2.4 V < -V _{DET(S)}	-	80	-	μs	4
SENSE pin resistance	R _{SENSE}	1.0 V ≤ -V _{DET(S)} < 1.2 V	5.0	19.0	42.0	MΩ	2	
		1.2 V ≤ -V _{DET(S)} ≤ 5.0 V	6.0	30.0	98.0	MΩ	2	

*1. -V_{DET}: Actual detection voltage value, -V_{DET(S)}: Set detection voltage value (the center value of the detection voltage range in **Table 5** or **Table 6**)

*2. The current flowing through the SENSE pin resistance is not included.

*3. V_{DS}: Drain-to-source voltage of the output transistor

*4. The temperature change of the detection voltage [mV/°C] is calculated by using the following equation.

$$\frac{\Delta -V_{DET}}{\Delta Ta} \text{ [mV/°C]}^{*1} = -V_{DET(S)} \text{ (typ.) [V]}^{*2} \times \frac{\Delta -V_{DET}}{\Delta Ta \bullet -V_{DET}} \text{ [ppm/°C]}^{*3} \div 1000$$

*1. Temperature change of the detection voltage

*2. Set detection voltage

*3. Detection voltage temperature coefficient

*5. The time period from when the pulse voltage of 6.0 V → -V_{DET(S)} - 2.0 V or 0 V is applied to the SENSE pin to when V_{OUT} reaches V_{DD} / 2.

*6. The time period from when the pulse voltage of 0 V → -V_{DET(S)} + 2.0 V or 6.0 V is applied to the SENSE pin to when V_{OUT} reaches V_{DD} / 2.

■ **Test Circuits**

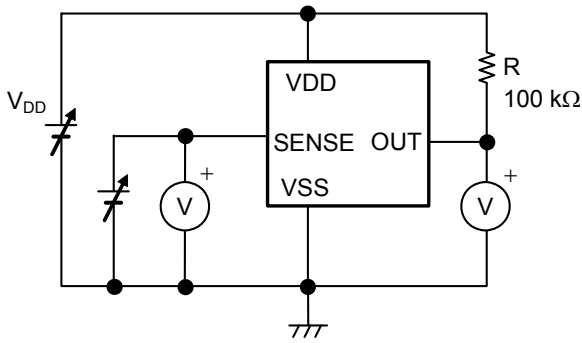


Figure 7 Test Circuit 1
(Nch open-drain output product)



Figure 8 Test Circuit 1
(CMOS output product)



Figure 9 Test Circuit 2

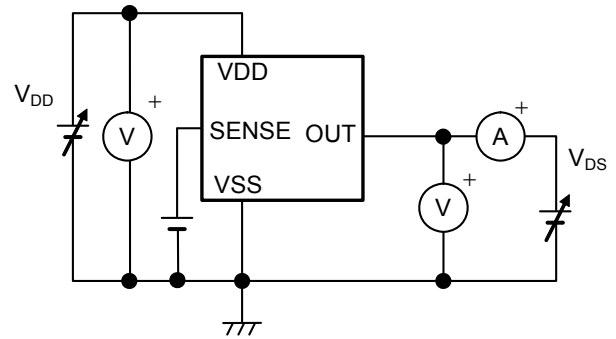


Figure 10 Test Circuit 3



Figure 11 Test Circuit 4
(Nch open-drain output product)

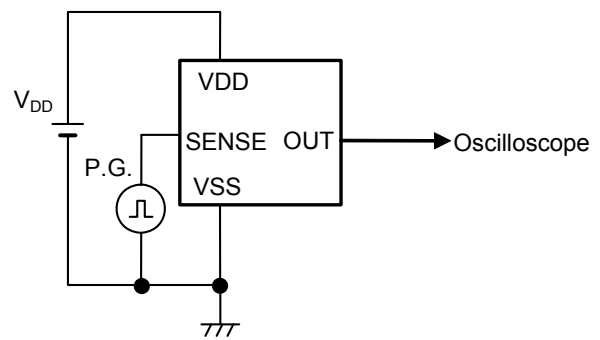


Figure 12 Test Circuit 4
(CMOS output product)

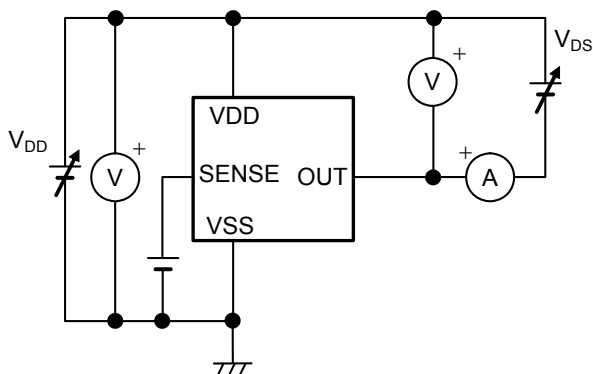


Figure 13 Test Circuit 5

Standard Circuits**1. Nch open-drain output product**

Figure 14

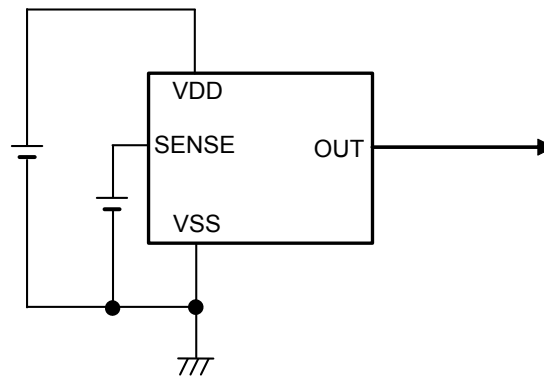
2. CMOS output product

Figure 15

Caution The above connection diagram and constant will not guarantee successful operation. Perform thorough evaluation using the actual application to set the constant.

■ **Explanation of Terms**

1. Detection voltage ($-V_{DET}$)

The detection voltage is a voltage at which the output in **Figure 18** or **Figure 19** turns to "L". The detection voltage varies slightly among products of the same specification. The variation of detection voltage between the specified minimum ($-V_{DET}$ min.) and the maximum ($-V_{DET}$ max.) is called the detection voltage range (Refer to **Figure 16**).

Example: In the S-1002Cx18, the detection voltage is either one in the range of $1.778\text{ V} \leq -V_{DET} \leq 1.822\text{ V}$. This means that some S-1002Cx18 have $-V_{DET} = 1.778\text{ V}$ and some have $-V_{DET} = 1.822\text{ V}$.

2. Release voltage ($+V_{DET}$)

The release voltage is a voltage at which the output in **Figure 18** or **Figure 19** turns to "H". The release voltage varies slightly among products of the same specification. The variation of release voltage between the specified minimum ($+V_{DET}$ min.) and the maximum ($+V_{DET}$ max.) is called the release voltage range (Refer to **Figure 17**). The range is calculated from the actual detection voltage ($-V_{DET}$) of a product and is in the range of $-V_{DET} \times 1.03 \leq +V_{DET} \leq -V_{DET} \times 1.07$.

Example: For the S-1002Cx18, the release voltage is either one in the range of $1.832\text{ V} \leq +V_{DET} \leq 1.949\text{ V}$. This means that some S-1002Cx18 have $+V_{DET} = 1.832\text{ V}$ and some have $+V_{DET} = 1.949\text{ V}$.

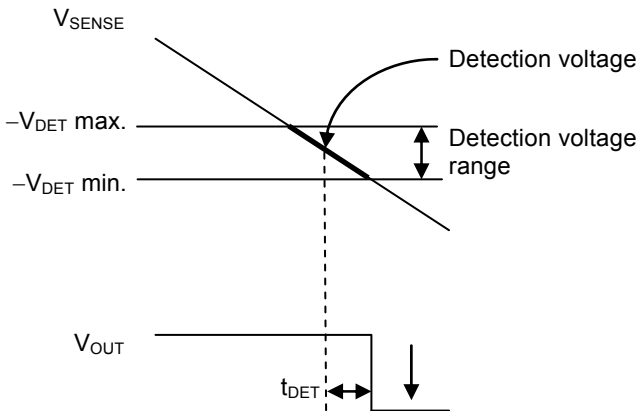


Figure 16 Detection Voltage

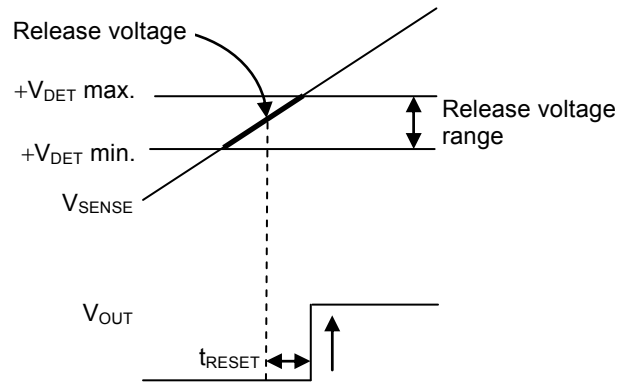


Figure 17 Release Voltage



Figure 18 Test Circuit of Detection Voltage and Release Voltage (Nch open-drain output product)



Figure 19 Test Circuit of Detection Voltage and Release Voltage (CMOS output product)

3. Hysteresis width (V_{HYS})

The hysteresis width is the voltage difference between the detection voltage and the release voltage (the voltage at point B – the voltage at point A = V_{HYS} in "Figure 22 Timing Chart of S-1002 Series NA / NB Type" and "Figure 24 Timing Chart of S-1002 Series CA / CB Type"). Setting the hysteresis width between the detection voltage and the release voltage, prevents malfunction caused by noise on the input voltage.

4. Feed-through current

The feed-through current is a current that flows instantaneously to the VDD pin at the time of detection and release of a voltage detector. The feed-through current is large in CMOS output product, small in Nch open-drain output product.

5. Oscillation

In applications where an input resistor is connected (Figure 20), taking a CMOS output (active "L") product for example, the feed-through current which is generated when the output goes from "L" to "H" (at the time of release) causes a voltage drop equal to [feed-through current] × [input resistance]. Since the VDD pin and the SENSE pin are shorted as in Figure 20, the SENSE pin voltage drops at the time of release. Then the SENSE pin voltage drops below the detection voltage and the output goes from "H" to "L". In this status, the feed-through current stops and its resultant voltage drop disappears, and the output goes from "L" to "H". The feed-through current is then generated again, a voltage drop appears, and repeating the process finally induces oscillation.



Figure 20 Example for Bad Implementation Due to Detection Voltage Change

■ **Operation**

1. Basic operation

1.1 S-1002 Series NA / NB type

- (1) When the power supply voltage (V_{DD}) is the minimum operation voltage or higher, and the SENSE pin voltage (V_{SENSE}) is the release voltage ($+V_{DET}$) or higher, the Nch transistor is turned off to output V_{DD} ("H") when the output is pulled up. Since the Nch transistor (N1) is turned off, the input voltage to the comparator is $\frac{(R_B + R_C) \cdot V_{SENSE}}{R_A + R_B + R_C}$.
- (2) Even if V_{SENSE} decreases to $+V_{DET}$ or lower, V_{DD} is output when V_{SENSE} is higher than the detection voltage ($-V_{DET}$).
 When V_{SENSE} decreases to $-V_{DET}$ or lower (point A in **Figure 22**), the Nch transistor is turned on. And then V_{SS} ("L") is output from the OUT pin after the elapse of the detection delay time (t_{DET}).
 At this time, N1 is turned on, and the input voltage to the comparator is $\frac{R_B \cdot V_{SENSE}}{R_A + R_B}$.
- (3) Even if V_{SENSE} further decreases to the IC's minimum operation voltage or lower, the output from the OUT pin is stable when V_{DD} is minimum operation voltage or higher.
- (4) Even if V_{SENSE} exceeds $-V_{DET}$, V_{SS} is output when V_{SENSE} is lower than $+V_{DET}$.
- (5) When V_{SENSE} increases to $+V_{DET}$ or higher (point B in **Figure 22**), the Nch transistor is turned off. And then V_{DD} is output from the OUT pin after the elapse of the release delay time (t_{RESET}) when the output is pulled up.



*1. Parasitic diode

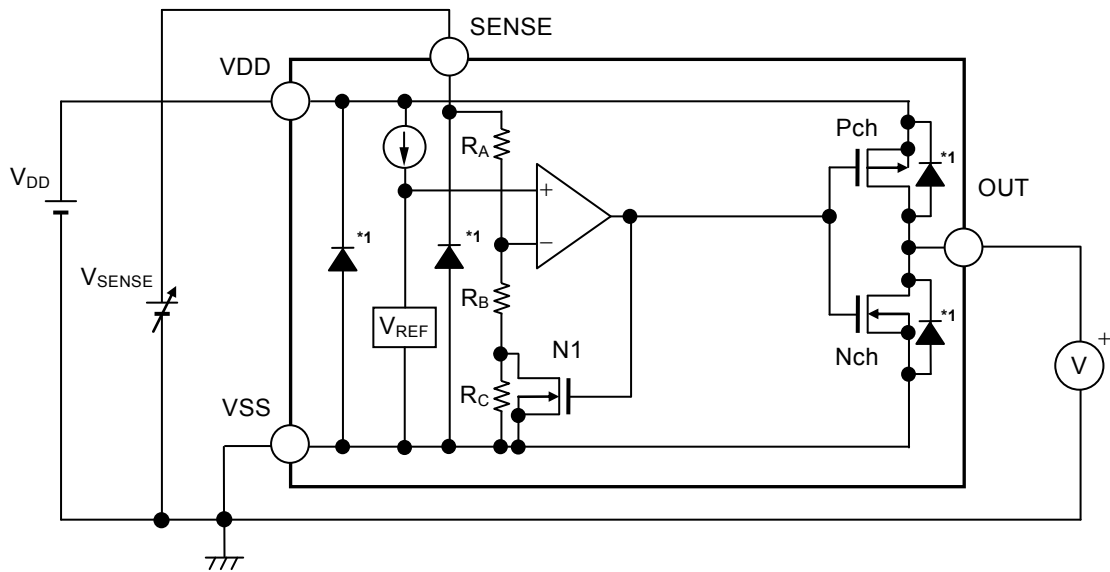
Figure 21 Operation of S-1002 Series NA / NB Type



Figure 22 Timing Chart of S-1002 Series NA / NB Type

1.2 S-1002 Series CA / CB type

- (1) When the power supply voltage (V_{DD}) is the minimum operation voltage or higher, and the SENSE pin voltage (V_{SENSE}) is the release voltage ($+V_{DET}$) or higher, the Nch transistor is turned off and the Pch transistor is turned on to output V_{DD} ("H"). Since the Nch transistor (N1) is turned off, the input voltage to the comparator is $\frac{(R_B + R_C) \cdot V_{SENSE}}{R_A + R_B + R_C}$.
- (2) Even if V_{SENSE} decreases to $+V_{DET}$ or lower, V_{DD} is output when V_{SENSE} is higher than the detection voltage ($-V_{DET}$).
When V_{SENSE} decreases to $-V_{DET}$ or lower (point A in **Figure 24**), the Nch transistor is turned on and the Pch transistor is turned off. And then V_{SS} ("L") is output from the OUT pin after the elapse of the detection delay time (t_{DET}).
At this time, N1 is turned on, and the input voltage to the comparator is $\frac{R_B \cdot V_{SENSE}}{R_A + R_B}$.
- (3) Even if V_{SENSE} further decreases to the IC's minimum operation voltage or lower, the output from the OUT pin is stable when V_{DD} is minimum operation voltage or higher.
- (4) Even if V_{SENSE} exceeds $-V_{DET}$, V_{SS} is output when V_{SENSE} is lower than $+V_{DET}$.
- (5) When V_{SENSE} increases to $+V_{DET}$ or higher (point B in **Figure 24**), the Nch transistor is turned off and the Pch transistor is turned on. And then V_{DD} is output from the OUT pin after the elapse of the release delay time (t_{RESET}).



*1. Parasitic diode

Figure 23 Operation of S-1002 Series CA / CB Type

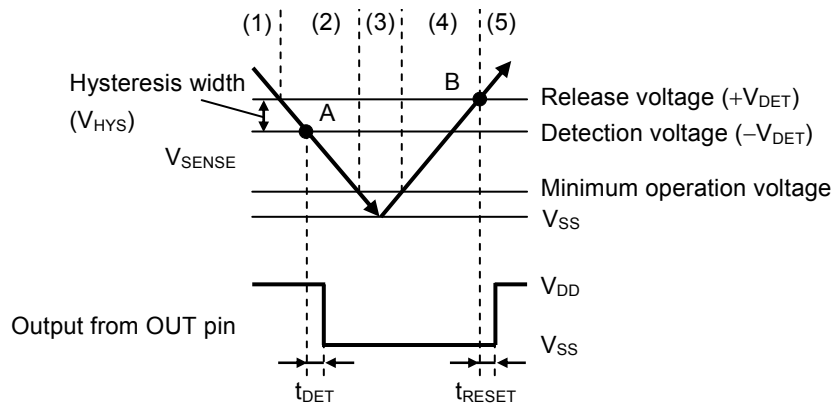


Figure 24 Timing Chart of S-1002 Series CA / CB Type

2. SENSE pin

2.1 Error when detection voltage is set externally

By connecting a node that was resistance-divided by the resistor (R_A) and the resistor (R_B) to the SENSE pin as seen in **Figure 25**, the detection voltage can be set externally.

For conventional products without the SENSE pin, R_A cannot be too large since the resistance-divided node must be connected to the VDD pin. This is because a feed-through current will flow through the VDD pin when it goes from detection to release, and if R_A is large, problems such as oscillation or larger error in the hysteresis width may occur.

In the S-1002 Series, R_A and R_B are easily made larger since the resistance-divided node can be connected to the SENSE pin through which no feed-through current flows. However, be careful of error in the current flowing through the internal resistance (R_{SENSE}) that will occur.

Although R_{SENSE} in the S-1002 Series is large (5 MΩ min.) to make the error small, R_A and R_B should be selected such that the error is within the allowable limits.

2.2 Selection of R_A and R_B

In **Figure 25**, the relation between the external setting detection voltage (V_{DX}) and the actual detection voltage ($-V_{DET}$) is ideally calculated by the equation below.

$$V_{DX} = -V_{DET} \times \left(1 + \frac{R_A}{R_B} \right) \quad \dots (1)$$

However, in reality there is an error in the current flowing through R_{SENSE} .

When considering this error, the relation between V_{DX} and $-V_{DET}$ is calculated as follows.

$$\begin{aligned} V_{DX} &= -V_{DET} \times \left(1 + \frac{R_A}{R_B \parallel R_{SENSE}} \right) \\ &= -V_{DET} \times \left(1 + \frac{R_A}{\frac{R_B \times R_{SENSE}}{R_B + R_{SENSE}}} \right) \\ &= -V_{DET} \times \left(1 + \frac{R_A}{R_B} \right) + \frac{R_A}{R_{SENSE}} \times -V_{DET} \quad \dots (2) \end{aligned}$$

By using equations (1) and (2), the error is calculated as $-V_{DET} \times \frac{R_A}{R_{SENSE}}$.

The error rate is calculated as follows by dividing the error by the right-hand side of equation (1).

$$\frac{R_A \times R_B}{R_{SENSE} \times (R_A + R_B)} \times 100 [\%] = \frac{R_A \parallel R_B}{R_{SENSE}} \times 100 [\%] \quad \dots (3)$$

As seen in equation (3), the smaller the resistance values of R_A and R_B compared to R_{SENSE} , the smaller the error rate becomes.

Also, the relation between the external setting hysteresis width (V_{HX}) and the hysteresis width (V_{HYS}) is calculated by equation below. Error due to R_{SENSE} also occurs to the relation in a similar way to the detection voltage.

$$V_{HX} = V_{HYS} \times \left(1 + \frac{R_A}{R_B} \right) \quad \dots (4)$$

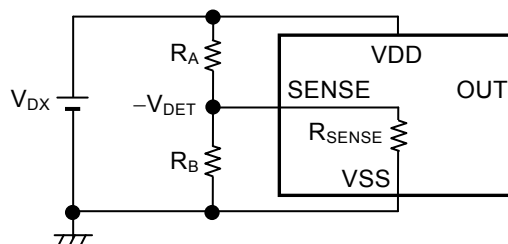


Figure 25 Detection Voltage External Setting Circuit

Caution If R_A and R_B are large, the SENSE pin input impedance becomes higher and may cause a malfunction due to noise. In this case, connect a capacitor between the SENSE pin and the VSS pin.

2.3 Power on sequence

Apply power in the order, the VDD pin then the SENSE pin.

As seen in **Figure 26**, when $V_{\text{SENSE}} \geq +V_{\text{DET}}$, the OUT pin output (V_{OUT}) rises and the S-1002 Series becomes the release status (normal operation).

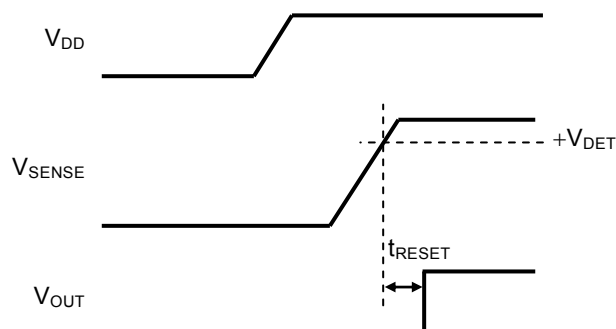


Figure 26

Caution If power is applied in the order the SENSE pin then the VDD pin, an erroneous release may occur even if $V_{\text{SENSE}} < +V_{\text{DET}}$.

2.4 Precautions when shorting between the VDD pin and the SENSE pin

2.4.1 Input resistor

Do not connect the input resistor (R_A) when shorting between the VDD pin and the SENSE pin.

A feed-through current flows through the VDD pin at the time of release. When connecting the circuit shown as **Figure 27**, the feed-through current of the VDD pin flowing through R_A will cause a drop in V_{SENSE} at the time of release.

At that time, oscillation may occur if $V_{\text{SENSE}} \leq -V_{\text{DET}}$.

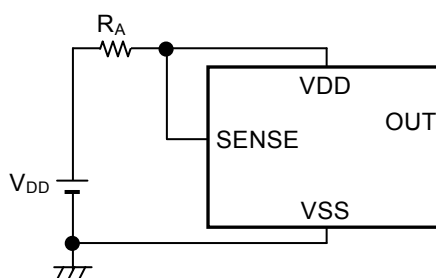


Figure 27

2.4.2 Parasitic resistance and parasitic capacitance

Due to the difference in parasitic resistance and parasitic capacitance of the VDD pin and the SENSE pin, power may be applied to the SENSE pin first.

Note that an erroneous release may occur if this happens (refer to "2.3 Power on sequence").

Caution In CMOS output product, make sure that the VDD pin input impedance does not become too high, regardless of the above. Since a feed-through current is large, a malfunction may occur if the VDD pin voltage changes greatly at the time of release.

2.5 Malfunction when V_{DD} falls

As seen in **Figure 28**, note that if the V_{DD} pin voltage (V_{DD}) drops steeply below 1.2 V when $-V_{DET} < V_{SENSE} < +V_{DET}$, erroneous detection may occur.

When $V_{DD_Low} \geq 1.2$ V, erroneous detection does not occur.

When $V_{DD_Low} < 1.2$ V, the more the V_{DD} falling amplitude increases or the shorter the falling time becomes, the easier the erroneous detection.

Perform thorough evaluation in actual application.



Figure 28

The S-1002Cx50 example in **Figure 29** shows an example of erroneous detection boundary conditions.

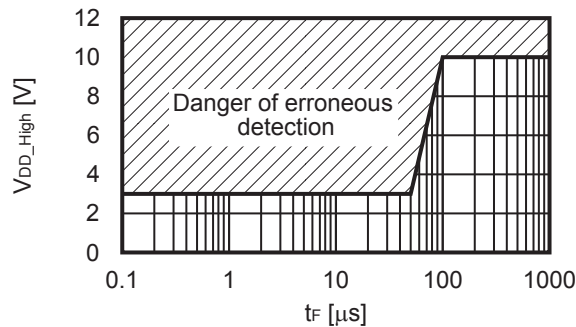


Figure 29

Remark Test conditions

- Product name: S-1002Cx50
- V_{SENSE}: $-V_{DET(S)} + 0.1$ V
- V_{DD_High}: V_{DD} pin voltage before falling
- V_{DD_Low}: V_{DD} pin voltage after falling (0.95 V)
- ΔV_{DD} : $V_{DD_High} - V_{DD_Low}$
- t_F: Falling time of V_{DD} from $V_{DD_High} - \Delta V_{DD} \times 10\%$ to $V_{DD_Low} + \Delta V_{DD} \times 10\%$

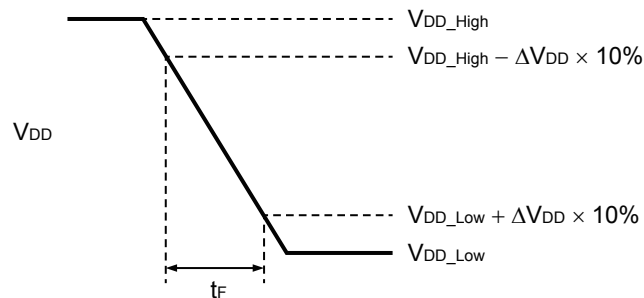
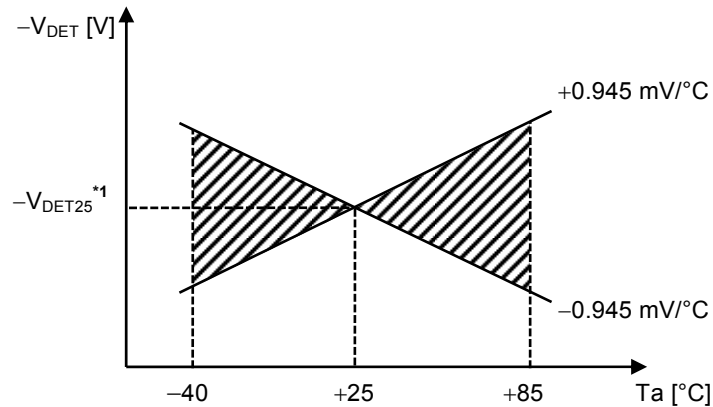


Figure 30

3. Other characteristics

3.1 Temperature characteristics of detection voltage

The shaded area in **Figure 31** shows the temperature characteristics of detection voltage in the operation temperature range.



*1. $-V_{DET25}$ is a detection voltage value at $T_a = +25^\circ\text{C}$.

Figure 31 Temperature Characteristics of Detection Voltage (Example for $-V_{DET} = 2.7\text{ V}$)

3.2 Temperature characteristics of release voltage

The temperature change $\frac{\Delta+V_{DET}}{\Delta T_a}$ of the release voltage is calculated by using the temperature change $\frac{\Delta-V_{DET}}{\Delta T_a}$ of the detection voltage as follows:

$$\frac{\Delta+V_{DET}}{\Delta T_a} = \frac{+V_{DET}}{-V_{DET}} \times \frac{\Delta-V_{DET}}{\Delta T_a}$$

The temperature change of the release voltage and the detection voltage has the same sign consequently.

3.3 Temperature characteristics of hysteresis voltage

The temperature change of the hysteresis voltage is expressed as $\frac{\Delta+V_{DET}}{\Delta T_a} - \frac{\Delta-V_{DET}}{\Delta T_a}$ and is calculated as follows:

$$\frac{\Delta+V_{DET}}{\Delta T_a} - \frac{\Delta-V_{DET}}{\Delta T_a} = \frac{V_{HYS}}{-V_{DET}} \times \frac{\Delta-V_{DET}}{\Delta T_a}$$

■ **Precautions**

- Do not apply an electrostatic discharge to this IC that exceeds the performance ratings of the built-in electrostatic protection circuit.
- In CMOS output product of the S-1002 Series, the feed-through current flows at the time of detection and release. If the VDD pin input impedance is high, malfunction may occur due to the voltage drop by the feed-through current when releasing.
- In CMOS output product, oscillation may occur if a pull-down resistor is connected and falling speed of the SENSE pin voltage (V_{SENSE}) is slow near the detection voltage when the VDD pin and the SENSE pin are shorted.
- When designing for mass production using an application circuit described herein, the product deviation and temperature characteristics of the external parts should be taken into consideration. ABLIC Inc. shall not bear any responsibility for patent infringements related to products using the circuits described herein.
- ABLIC Inc. claims no responsibility for any disputes arising out of or in connection with any infringement by products including this IC of patents owned by a third party.

■ Characteristics (Typical Data)

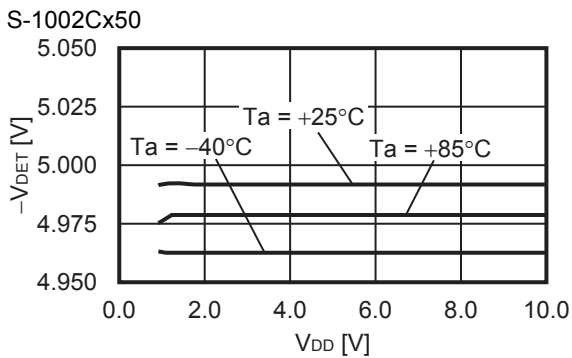
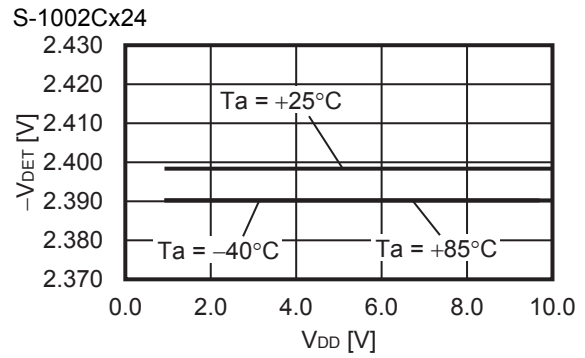
1. Detection voltage ($-V_{DET}$), Release voltage ($+V_{DET}$) vs. Temperature (T_a)



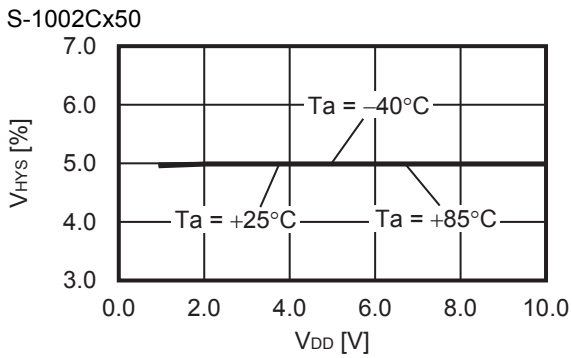
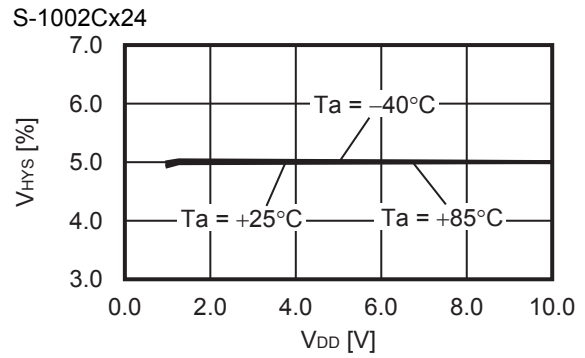
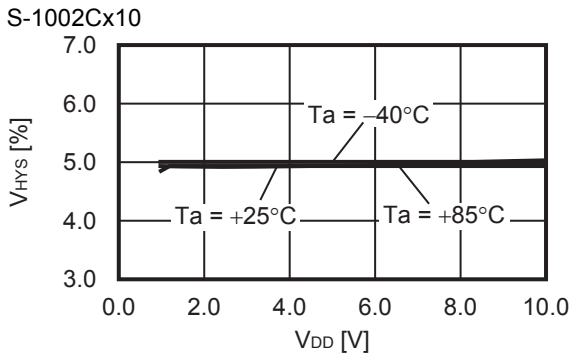
2. Hysteresis width (V_{HYS}) vs. Temperature (T_a)



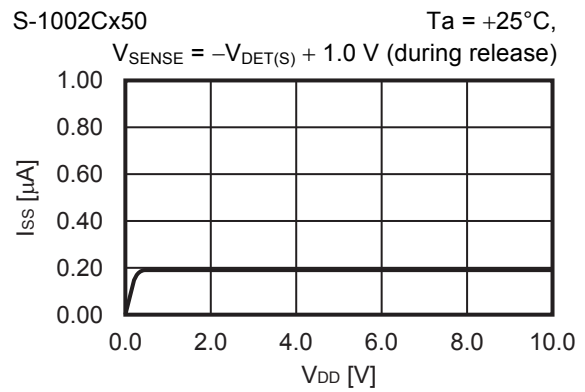
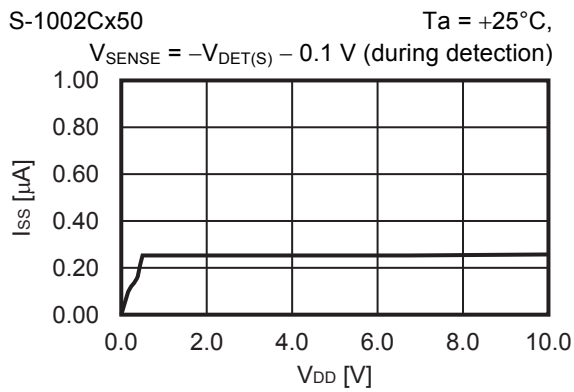
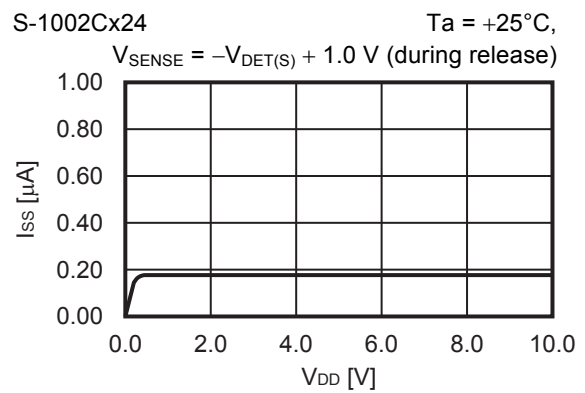
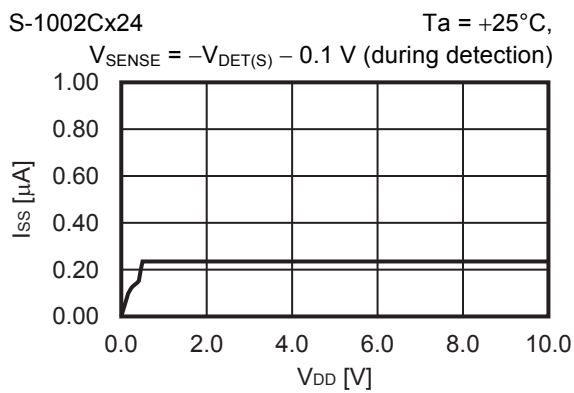
3. Detection voltage ($-V_{DET}$) vs. Power supply voltage (V_{DD})



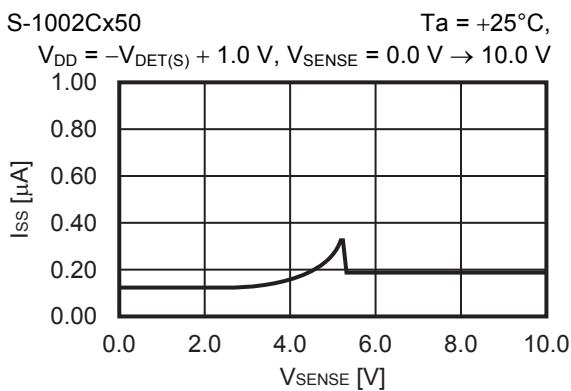
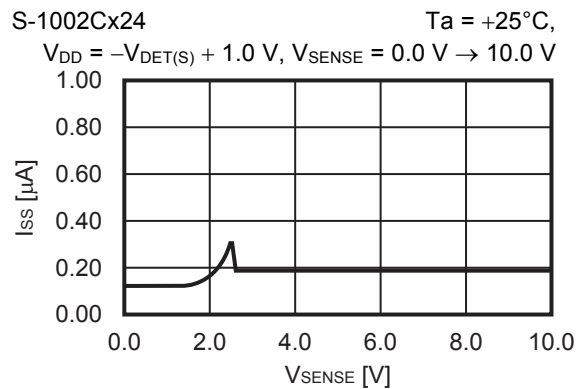
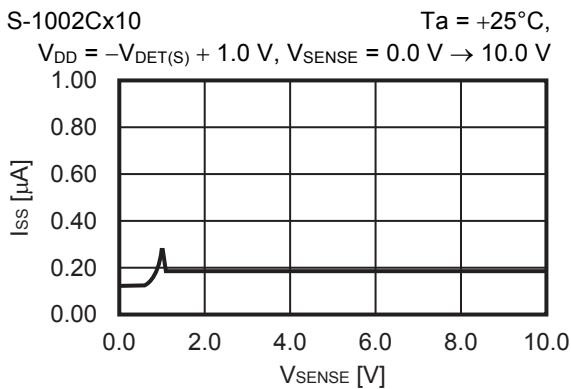
4. Hysteresis width (V_{HYS}) vs. Power supply voltage (V_{DD})



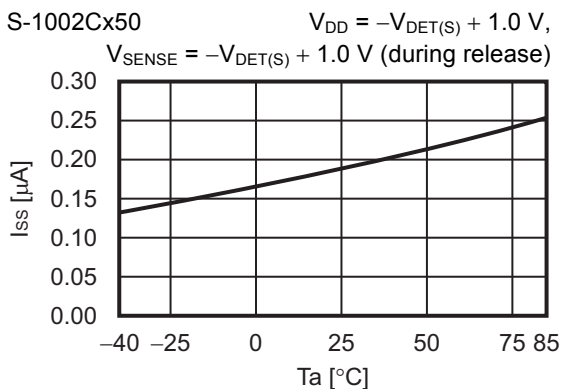
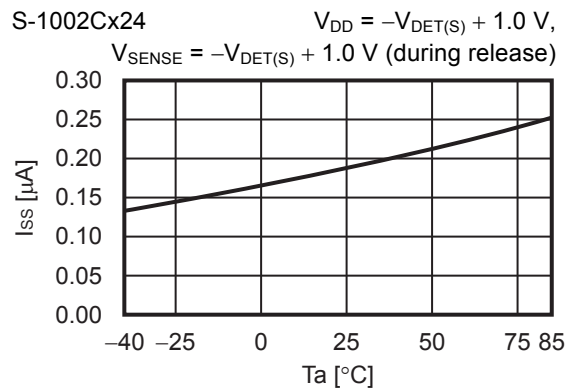
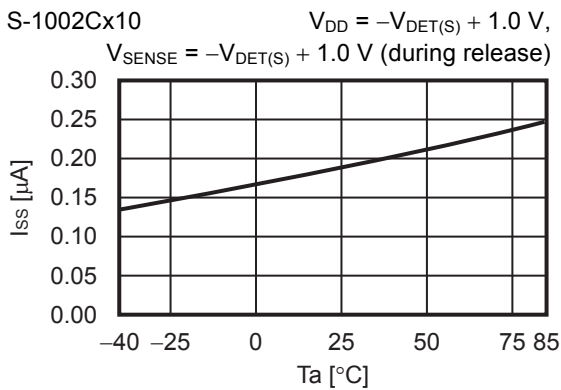
5. Current consumption (I_{SS}) vs. Power supply voltage (V_{DD})



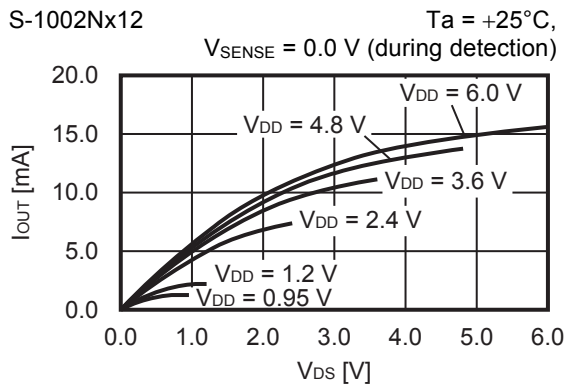
6. Current consumption (I_{SS}) vs. SENSE pin input voltage (V_{SENSE})



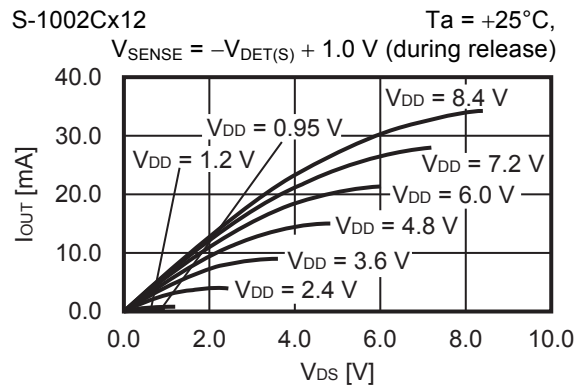
7. Current consumption (I_{SS}) vs. Temperature (T_a)



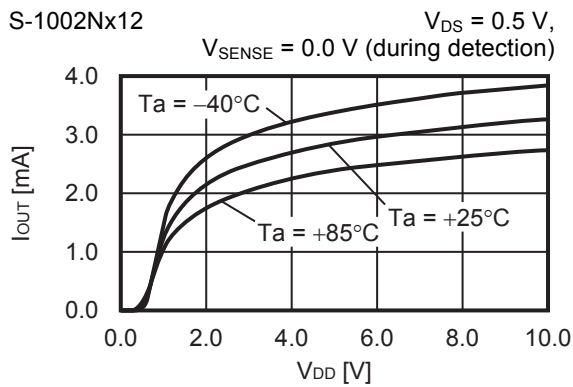
8. Nch transistor output current (I_{OUT}) vs. V_{DS}



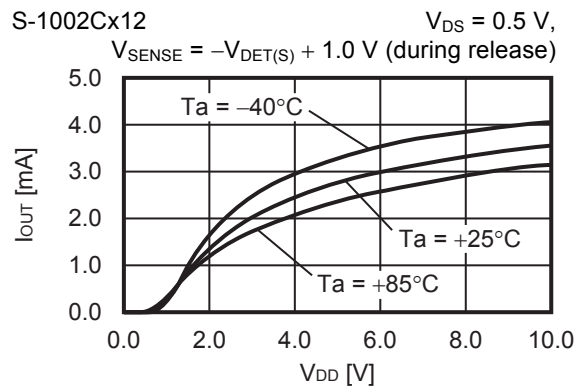
9. Pch transistor output current (I_{OUT}) vs. V_{DS}



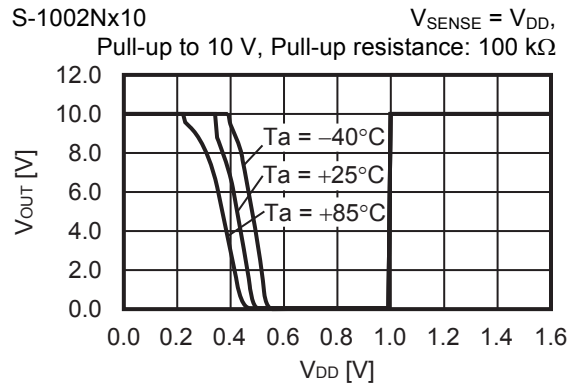
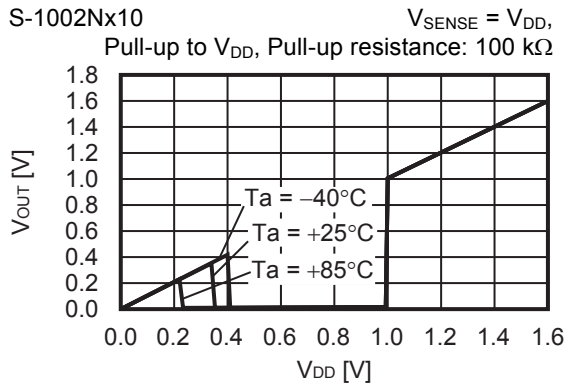
10. Nch transistor output current (I_{OUT}) vs. Power supply voltage (V_{DD})



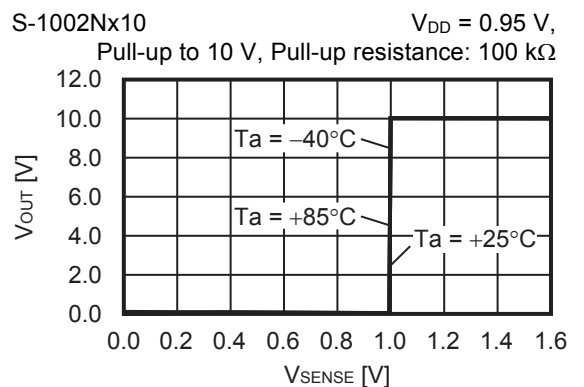
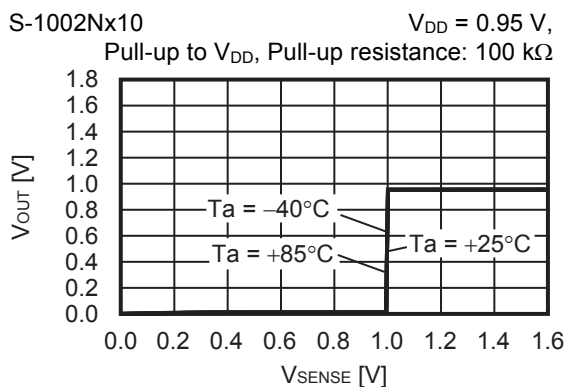
11. Pch transistor output current (I_{OUT}) vs. Power supply voltage (V_{DD})



12. Minimum operation voltage (V_{OUT}) vs. Power supply voltage (V_{DD})



13. Minimum operation voltage (V_{OUT}) vs. SENSE pin input voltage (V_{SENSE})



Remark V_{DS} : Drain-to-source voltage of the output transistor

14. Dynamic response vs. Output pin capacitance (C_{OUT})





- *1. $V_{IH} = 10\text{ V}$
- *2. $V_{IL} = 0.95\text{ V}$

Figure 32 Test Condition of Response Time

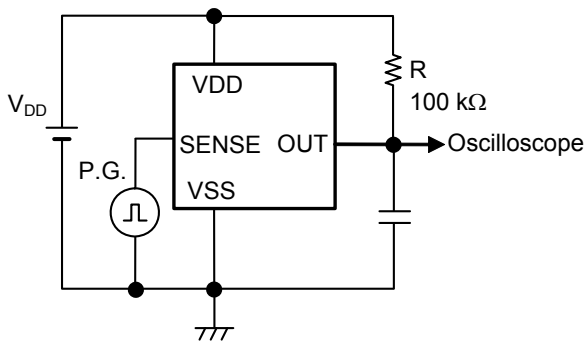


Figure 33 Test Circuit of Response Time
(Nch open-drain output product)

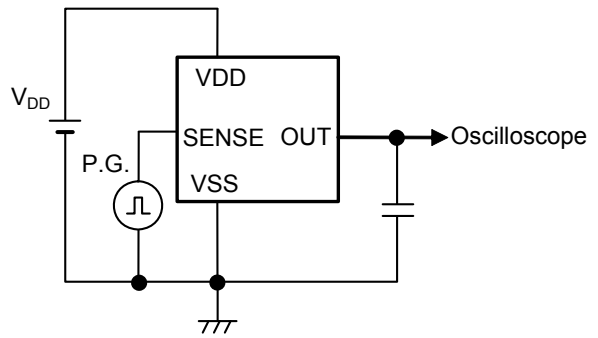


Figure 34 Test Circuit of Response Time
(CMOS output product)

Caution The above connection diagram and constant will not guarantee successful operation. Perform thorough evaluation using the actual application to set the constant.

■ Application Circuit Examples

1. Microcomputer reset circuits

In microcomputers, when the power supply voltage is lower than the minimum operation voltage, an unspecified operation may be performed or the contents of the memory register may be lost. When power supply voltage returns to the normal level, the microcomputer needs to be initialized. Otherwise, the microcomputer may malfunction after that. Reset circuits to protect microcomputer in the event of current being momentarily switched off or lowered.

Using the S-1002 Series which has the low minimum operation voltage, the high-accuracy detection voltage and the hysteresis width, reset circuits can be easily constructed as seen in **Figure 35** and **Figure 36**.

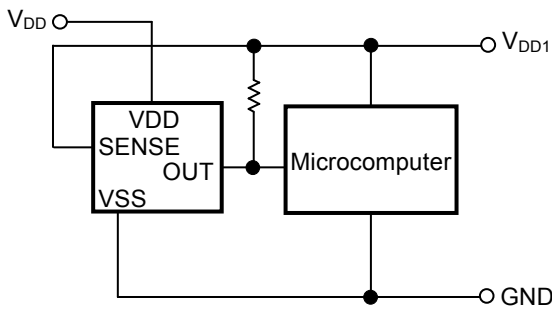


Figure 35 Example of Reset Circuit
(Nch open-drain output product)

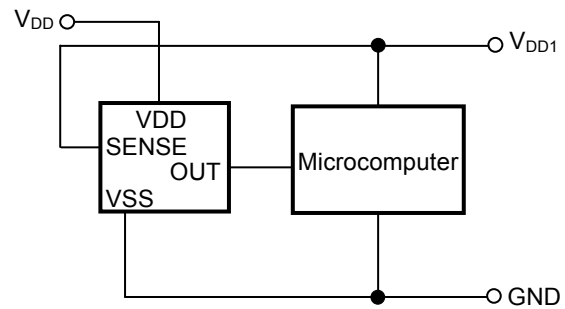


Figure 36 Example of Reset Circuit
(CMOS output product)

Caution The above connection diagram and constant will not guarantee successful operation. Perform thorough evaluation using the actual application to set the constant.

2. Change of detection voltage

If there is not a product with a specified detection voltage value in the S-1002 Series, the detection voltage can be changed by using a resistance divider or a diode, as seen in **Figure 37** to **Figure 40**.

In **Figure 37** and **Figure 38**, hysteresis width also changes.

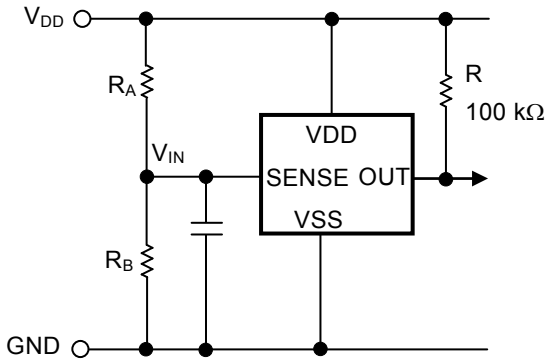


Figure 37 Detection voltage change when using a resistance divider (Nch open-drain output product)



Figure 38 Detection voltage change when using a resistance divider (CMOS output product)

Remark Detection voltage = $\frac{R_A + R_B}{R_B} \cdot -V_{DET}$
 Hysteresis width = $\frac{R_A + R_B}{R_B} \cdot V_{HYS}$



Figure 39 Detection voltage change when using a diode (Nch open-drain output product)

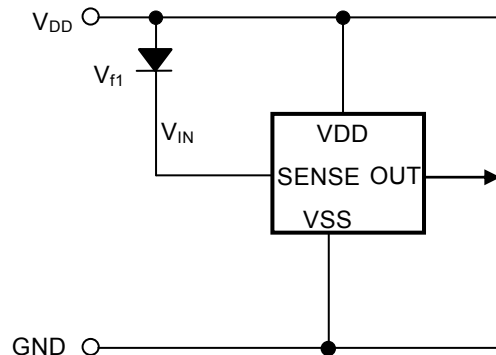


Figure 40 Detection voltage change when using a diode (CMOS output product)

Remark Detection voltage = $V_{f1} + (-V_{DET})$

- Caution 1.** The above connection diagram and constant will not guarantee successful operation. Perform thorough evaluation using the actual application to set the constant.
2. Set the constants referring to "2. 1 Error when detection voltage is set externally" in "■ Operation".



No. MP005-A-P-SD-1.3

TITLE	SOT235-A-PKG Dimensions
No.	MP005-A-P-SD-1.3
ANGLE	
UNIT	mm
ABLIC Inc.	



Feed direction →

No. MP005-A-C-SD-2.1

TITLE	SOT235-A-Carrier Tape
No.	MP005-A-C-SD-2.1
ANGLE	
UNIT	mm
ABLIC Inc.	



Enlarged drawing in the central part



No. MP005-A-R-SD-1.1

TITLE	SOT235-A-Reel		
No.	MP005-A-R-SD-1.1		
ANGLE		QTY.	3,000
UNIT	mm		
ABLIC Inc.			



No. NP004-A-P-SD-2.0

TITLE	SC82AB-A-PKG Dimensions
No.	NP004-A-P-SD-2.0
ANGLE	
UNIT	mm
ABLIC Inc.	



No. NP004-A-C-SD-3.0

TITLE	SC82AB-A-Carrier Tape
No.	NP004-A-C-SD-3.0
ANGLE	
UNIT	mm
ABLIC Inc.	



→
Feed direction

No. NP004-A-C-S1-2.0

TITLE	SC82AB-A-Carrier Tape
No.	NP004-A-C-S1-2.0
ANGLE	
UNIT	mm

ABLIC Inc.



Enlarged drawing in the central part



No. NP004-A-R-SD-1.1

TITLE	SC82AB-A-Reel		
No.	NP004-A-R-SD-1.1		
ANGLE		QTY.	3,000
UNIT	mm		
ABLIC Inc.			

Disclaimers (Handling Precautions)

1. All the information described herein (product data, specifications, figures, tables, programs, algorithms and application circuit examples, etc.) is current as of publishing date of this document and is subject to change without notice.
2. The circuit examples and the usages described herein are for reference only, and do not guarantee the success of any specific mass-production design.
ABLIC Inc. is not liable for any losses, damages, claims or demands caused by the reasons other than the products described herein (hereinafter "the products") or infringement of third-party intellectual property right and any other right due to the use of the information described herein.
3. ABLIC Inc. is not liable for any losses, damages, claims or demands caused by the incorrect information described herein.
4. Be careful to use the products within their ranges described herein. Pay special attention for use to the absolute maximum ratings, operation voltage range and electrical characteristics, etc.
ABLIC Inc. is not liable for any losses, damages, claims or demands caused by failures and / or accidents, etc. due to the use of the products outside their specified ranges.
5. Before using the products, confirm their applications, and the laws and regulations of the region or country where they are used and verify suitability, safety and other factors for the intended use.
6. When exporting the products, comply with the Foreign Exchange and Foreign Trade Act and all other export-related laws, and follow the required procedures.
7. The products are strictly prohibited from using, providing or exporting for the purposes of the development of weapons of mass destruction or military use. ABLIC Inc. is not liable for any losses, damages, claims or demands caused by any provision or export to the person or entity who intends to develop, manufacture, use or store nuclear, biological or chemical weapons or missiles, or use any other military purposes.
8. The products are not designed to be used as part of any device or equipment that may affect the human body, human life, or assets (such as medical equipment, disaster prevention systems, security systems, combustion control systems, infrastructure control systems, vehicle equipment, traffic systems, in-vehicle equipment, aviation equipment, aerospace equipment, and nuclear-related equipment), excluding when specified for in-vehicle use or other uses by ABLIC, Inc. Do not apply the products to the above listed devices and equipments.
ABLIC Inc. is not liable for any losses, damages, claims or demands caused by unauthorized or unspecified use of the products.
9. In general, semiconductor products may fail or malfunction with some probability. The user of the products should therefore take responsibility to give thorough consideration to safety design including redundancy, fire spread prevention measures, and malfunction prevention to prevent accidents causing injury or death, fires and social damage, etc. that may ensue from the products' failure or malfunction.
The entire system in which the products are used must be sufficiently evaluated and judged whether the products are allowed to apply for the system on customer's own responsibility.
10. The products are not designed to be radiation-proof. The necessary radiation measures should be taken in the product design by the customer depending on the intended use.
11. The products do not affect human health under normal use. However, they contain chemical substances and heavy metals and should therefore not be put in the mouth. The fracture surfaces of wafers and chips may be sharp. Be careful when handling these with the bare hands to prevent injuries, etc.
12. When disposing of the products, comply with the laws and ordinances of the country or region where they are used.
13. The information described herein contains copyright information and know-how of ABLIC Inc. The information described herein does not convey any license under any intellectual property rights or any other rights belonging to ABLIC Inc. or a third party. Reproduction or copying of the information from this document or any part of this document described herein for the purpose of disclosing it to a third-party is strictly prohibited without the express permission of ABLIC Inc.
14. For more details on the information described herein or any other questions, please contact ABLIC Inc.'s sales representative.
15. This Disclaimers have been delivered in a text using the Japanese language, which text, despite any translations into the English language and the Chinese language, shall be controlling.

2.4-2019.07