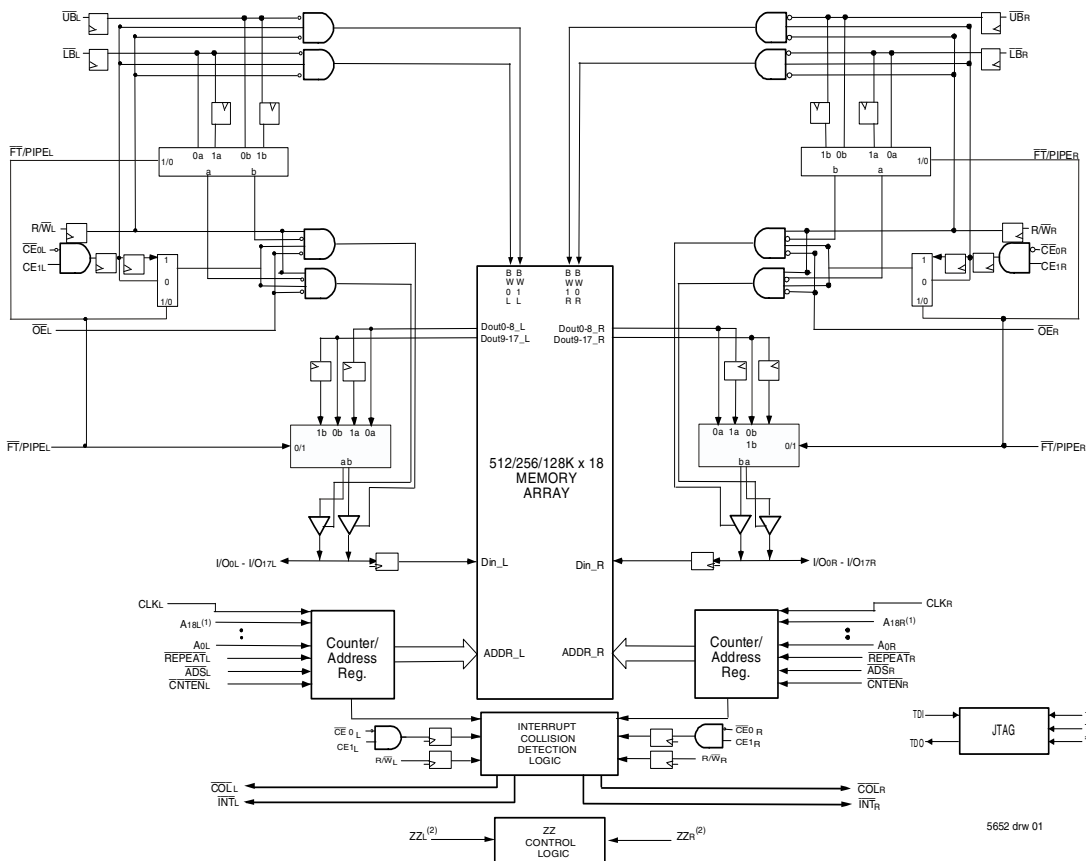


## Features:

- ◆ True Dual-Port memory cells which allow simultaneous access of the same memory location
- ◆ High-speed data access
  - Commercial: 3.4 (200MHz)/3.6ns (166MHz)/4.2ns (133MHz)(max.)
  - Industrial: 4.2ns (133MHz)(max.)
- ◆ Selectable Pipelined or Flow-Through output mode
- ◆ Counter enable and repeat features
- ◆ Dual chip enables allow for depth expansion without additional logic
- ◆ Interrupt and Collision Detection Flags
- ◆ Full synchronous operation on both ports
  - 5ns cycle time, 200MHz operation (14Gbps bandwidth)
  - Fast 3.4ns clock to data out
  - Data input, address, byte enable and control registers

- 1.5ns setup to clock and 0.5ns hold on all control, data, and address inputs @ 200MHz
- Self-timed write allows fast cycle time
- ◆ Separate byte controls for multiplexed bus and bus matching compatibility
- ◆ Dual Cycle Deselect (DCD) for Pipelined Output Mode
- ◆ 2.5V (±100mV) power supply for core
- ◆ LVTTL compatible, selectable 3.3V (±150mV) or 2.5V (±100mV) power supply for I/Os and control signals on each port
- ◆ Industrial temperature range (-40°C to +85°C) is available at 133MHz
- ◆ Available in a 256-pin Ball Grid Array (BGA) and 208-pin fine pitch Ball Grid Array (fpBGA)
- ◆ Supports JTAG features compliant with IEEE 1149.1
- ◆ Green parts available, see ordering information

## Functional Block Diagram



### NOTES:

1. Address A18 is a NC for the IDT70T3319. Also, Addresses A18 and A17 are NC's for the IDT70T3399.
2. The sleep mode pin shuts off all dynamic inputs, except JTAG inputs, when asserted. All static inputs, i.e., PL/FTx and OPTx and the sleep mode pins themselves (ZZx) are not affected during sleep mode.

## Description:

The IDT70T3339/19/99 is a high-speed 512/256/128k x 18 bit synchronous Dual-Port RAM. The memory array utilizes Dual-Port memory cells to allow simultaneous access of any address from both ports. Registers on control, data, and address inputs provide minimal setup and hold times. The timing latitude provided by this approach allows systems to be designed with very short cycle times. With an input data register, the IDT70T3339/19/99 has been optimized for applications having unidirec-

tional or bidirectional data flow in bursts. An automatic power down feature, controlled by  $\overline{CE}_0$  and  $CE_1$ , permits the on-chip circuitry of each port to enter a very low standby power mode.

The IDT70T3339/19/99 can support an operating voltage of either 3.3V or 2.5V on one or both ports, controllable by the OPT pins. The power supply for the core of the device ( $V_{DD}$ ) is at 2.5V.

Pin Configuration (3,4,5,6)

70T3339/19/99  
BC256<sup>(8)</sup>  
BCG256<sup>(8)</sup>  
256-Pin BGA  
Top View

A1	A2	A3	A4	A5	A6	A7	A8	A9	A10	A11	A12	A13	A14	A15	A16
NC	TDI	NC	A17L <sup>(2)</sup>	A14L	A11L	A8L	NC	CE1L	OE <sub>L</sub>	CNTEN <sub>L</sub>	A5L	A2L	A0L	NC	NC
B1	B2	B3	B4	B5	B6	B7	B8	B9	B10	B11	B12	B13	B14	B15	B16
INT <sub>L</sub>	NC	TDO	A18L <sup>(1)</sup>	A15L	A12L	A9L	UB <sub>L</sub>	CE0L	R/W <sub>L</sub>	REPEAT <sub>L</sub>	A4L	A1L	VDD	NC	NC
C1	C2	C3	C4	C5	C6	C7	C8	C9	C10	C11	C12	C13	C14	C15	C16
COLL	I/O9L	VSS	A16L	A13L	A10L	A7L	NC	LB <sub>L</sub>	CLKL	ADSL	A6L	A3L	OPTL	NC	I/O8L
D1	D2	D3	D4	D5	D6	D7	D8	D9	D10	D11	D12	D13	D14	D15	D16
NC	I/O9R	NC	PIPE/FT <sub>L</sub>	VDDQL	VDDQL	VDDQR	VDDQR	VDDQL	VDDQL	VDDQR	VDDQR	VDD	NC	NC	I/O8R
E1	E2	E3	E4	E5	E6	E7	E8	E9	E10	E11	E12	E13	E14	E15	E16
I/O10R	I/O10L	NC	VDDQL	VDD	VDD	NC	VSS	VSS	VSS	VDD	VDD	VDDQR	NC	I/O7L	I/O7R
F1	F2	F3	F4	F5	F6	F7	F8	F9	F10	F11	F12	F13	F14	F15	F16
I/O11L	NC	I/O11R	VDDQL	VDD	NC	NC	VSS	VSS	VSS	VSS	VDD	VDDQR	I/O6R	NC	I/O6L
G1	G2	G3	G4	G5	G6	G7	G8	G9	G10	G11	G12	G13	G14	G15	G16
NC	NC	I/O12L	VDDQR	VSS	VSS	VSS	VSS	VSS	VSS	VSS	VSS	VDDQL	I/O5L	NC	NC
H1	H2	H3	H4	H5	H6	H7	H8	H9	H10	H11	H12	H13	H14	H15	H16
NC	I/O12R	NC	VDDQR	VSS	VSS	VSS	VSS	VSS	VSS	VSS	VSS	VDDQL	NC	NC	I/O5R
J1	J2	J3	J4	J5	J6	J7	J8	J9	J10	J11	J12	J13	J14	J15	J16
I/O13L	I/O14R	I/O13R	VDDQL	ZZR	VSS	VSS	VSS	VSS	VSS	VSS	VSS	VDDQR	I/O4R	I/O3R	I/O4L
K1	K2	K3	K4	K5	K6	K7	K8	K9	K10	K11	K12	K13	K14	K15	K16
NC	NC	I/O14L	VDDQL	VSS	VSS	VSS	VSS	VSS	VSS	VSS	VSS	VDDQR	NC	NC	I/O3L
L1	L2	L3	L4	L5	L6	L7	L8	L9	L10	L11	L12	L13	L14	L15	L16
I/O15L	NC	I/O15R	VDDQR	VDD	NC	NC	VSS	VSS	VSS	VSS	VDD	VDDQL	I/O2L	NC	I/O2R
M1	M2	M3	M4	M5	M6	M7	M8	M9	M10	M11	M12	M13	M14	M15	M16
I/O16R	I/O16L	NC	VDDQR	VDD	VDD	NC	VSS	VSS	VSS	VDD	VDD	VDDQL	I/O1R	I/O1L	NC
N1	N2	N3	N4	N5	N6	N7	N8	N9	N10	N11	N12	N13	N14	N15	N16
NC	I/O17R	NC	PIPE/FT <sub>R</sub>	VDDQR	VDDQR	VDDQL	VDDQL	VDDQR	VDDQR	VDDQL	VDDQL	VDD	NC	I/O0R	NC
P1	P2	P3	P4	P5	P6	P7	P8	P9	P10	P11	P12	P13	P14	P15	P16
COLR	I/O17L	TMS	A16R	A13R	A10R	A7R	NC	LB <sub>R</sub>	CLKR	ADSR	A6R	A3R	NC	NC	I/O0L
R1	R2	R3	R4	R5	R6	R7	R8	R9	R10	R11	R12	R13	R14	R15	R16
INT <sub>R</sub>	NC	TRST	A18R <sup>(1)</sup>	A15R	A12R	A9R	UB <sub>R</sub>	CE0R	R/W <sub>R</sub>	REPEAT <sub>R</sub>	A4R	A1R	OPT <sub>R</sub>	NC	NC
T1	T2	T3	T4	T5	T6	T7	T8	T9	T10	T11	T12	T13	T14	T15	T16
NC	TCK	NC	A17R <sup>(2)</sup>	A14R	A11R	A8R	NC	CE1R	OE <sub>R</sub>	CNTEN <sub>R</sub>	A5R	A2R	A0R	NC	NC

NOTES:

1. Pin is a NC for IDT70T3319 and IDT70T3399.
2. Pin is a NC for IDT70T3399.
3. All VDD pins must be connected to 2.5V power supply.
4. All VDDQ pins must be connected to appropriate power supply: 3.3V if OPT pin for that port is set to VDD (2.5V), and 2.5V if OPT pin for that port is set to VSS (0V).
5. All VSS pins must be connected to ground supply.
6. Package body is approximately 17mm x 17mm x 1.4mm, with 1.0mm ball-pitch.
7. This package code is used to reference the package diagram.
8. This text does not indicate orientation of the actual part-marking.

5652 drw 02d

Pin Configurations(con't)<sup>(3,4,5,6)</sup>

1	2	3	4	5	6	7	8	9	10	11	12	13	14	15	16	17	
I/O <sub>9L</sub>	$\overline{\text{INT}}_{\text{L}}$	V <sub>SS</sub>	TDO	NC	A <sub>16L</sub>	A <sub>12L</sub>	A <sub>8L</sub>	NC	V <sub>DD</sub>	CLK <sub>L</sub>	$\overline{\text{CNTEN}}_{\text{L}}$	A <sub>4L</sub>	A <sub>0L</sub>	OPT <sub>L</sub>	NC	V <sub>SS</sub>	A
NC	V <sub>SS</sub>	$\overline{\text{COL}}_{\text{L}}$	TDI	A <sub>17L</sub> <sup>(2)</sup>	A <sub>13L</sub>	A <sub>9L</sub>	NC	$\overline{\text{CE}}_{0\text{L}}$	V <sub>SS</sub>	$\overline{\text{ADS}}_{\text{L}}$	A <sub>5L</sub>	A <sub>1L</sub>	NC	V <sub>DDQR</sub>	I/O <sub>8L</sub>	NC	B
V <sub>DDQL</sub>	I/O <sub>9R</sub>	V <sub>DDQR</sub>	PIPE/ $\overline{\text{FT}}_{\text{L}}$	A <sub>18L</sub> <sup>(1)</sup>	A <sub>14L</sub>	A <sub>10L</sub>	$\overline{\text{UB}}_{\text{L}}$	CE <sub>1L</sub>	V <sub>SS</sub>	R/ $\overline{\text{WL}}$	A <sub>6L</sub>	A <sub>2L</sub>	V <sub>DD</sub>	I/O <sub>8R</sub>	NC	V <sub>SS</sub>	C
NC	V <sub>SS</sub>	I/O <sub>10L</sub>	NC	A <sub>15L</sub>	A <sub>11L</sub>	A <sub>7L</sub>	$\overline{\text{LB}}_{\text{L}}$	V <sub>DD</sub>	$\overline{\text{OE}}_{\text{L}}$	REPEAT <sub>L</sub>	A <sub>3L</sub>	V <sub>DD</sub>	NC	V <sub>DDQL</sub>	I/O <sub>7L</sub>	I/O <sub>7R</sub>	D
I/O <sub>11L</sub>	NC	V <sub>DDQR</sub>	I/O <sub>10R</sub>	70T3339/19/99 BF208 <sup>(7)</sup> BFG208 <sup>(7)</sup> 208-Pin fpBGA Top View <sup>(8)</sup>									I/O <sub>6L</sub>	NC	V <sub>SS</sub>	NC	E
V <sub>DDQL</sub>	I/O <sub>11R</sub>	NC	V <sub>SS</sub>										V <sub>SS</sub>	I/O <sub>6R</sub>	NC	V <sub>DDQR</sub>	F
NC	V <sub>SS</sub>	I/O <sub>12L</sub>	NC										NC	V <sub>DDQL</sub>	I/O <sub>5L</sub>	NC	G
V <sub>DD</sub>	NC	V <sub>DDQR</sub>	I/O <sub>12R</sub>										V <sub>DD</sub>	NC	V <sub>SS</sub>	I/O <sub>5R</sub>	H
V <sub>DDQL</sub>	V <sub>DD</sub>	V <sub>SS</sub>	ZZ <sub>R</sub>										ZZ <sub>L</sub>	V <sub>DD</sub>	V <sub>SS</sub>	V <sub>DDQR</sub>	J
I/O <sub>14R</sub>	V <sub>SS</sub>	I/O <sub>13R</sub>	V <sub>SS</sub>										I/O <sub>3R</sub>	V <sub>DDQL</sub>	I/O <sub>4R</sub>	V <sub>SS</sub>	K
NC	I/O <sub>14L</sub>	V <sub>DDQR</sub>	I/O <sub>13L</sub>										NC	I/O <sub>3L</sub>	V <sub>SS</sub>	I/O <sub>4L</sub>	L
V <sub>DDQL</sub>	NC	I/O <sub>15R</sub>	V <sub>SS</sub>										V <sub>SS</sub>	NC	I/O <sub>2R</sub>	V <sub>DDQR</sub>	M
NC	V <sub>SS</sub>	NC	I/O <sub>15L</sub>										I/O <sub>1R</sub>	V <sub>DDQL</sub>	NC	I/O <sub>2L</sub>	N
I/O <sub>16R</sub>	I/O <sub>16L</sub>	V <sub>DDQR</sub>	$\overline{\text{COL}}_{\text{R}}$										$\overline{\text{TRST}}$	A <sub>16R</sub>	A <sub>12R</sub>	A <sub>8R</sub>	NC
V <sub>SS</sub>	NC	I/O <sub>17R</sub>	TCK	A <sub>17R</sub> <sup>(2)</sup>	A <sub>13R</sub>	A <sub>9R</sub>	NC	$\overline{\text{CE}}_{0\text{R}}$	V <sub>SS</sub>	$\overline{\text{ADS}}_{\text{R}}$	A <sub>5R</sub>	A <sub>1R</sub>	NC	V <sub>DDQL</sub>	I/O <sub>0R</sub>	V <sub>DDQR</sub>	R
NC	I/O <sub>17L</sub>	V <sub>DDQL</sub>	TMS	A <sub>18R</sub> <sup>(1)</sup>	A <sub>14R</sub>	A <sub>10R</sub>	$\overline{\text{UB}}_{\text{R}}$	CE <sub>1R</sub>	V <sub>SS</sub>	R/ $\overline{\text{WR}}$	A <sub>6R</sub>	A <sub>2R</sub>	V <sub>SS</sub>	NC	V <sub>SS</sub>	NC	T
V <sub>SS</sub>	$\overline{\text{INT}}_{\text{R}}$	PIPE/ $\overline{\text{FT}}_{\text{R}}$	NC	A <sub>15R</sub>	A <sub>11R</sub>	A <sub>7R</sub>	$\overline{\text{LB}}_{\text{R}}$	V <sub>DD</sub>	$\overline{\text{OE}}_{\text{R}}$	REPEAT <sub>R</sub>	A <sub>3R</sub>	A <sub>0R</sub>	V <sub>DD</sub>	OPT <sub>R</sub>	NC	I/O <sub>0L</sub>	U

5652 drw 02c

NOTES:

1. Pin is a NC for IDT70T3319 and IDT70T3399.
2. Pin is a NC for IDT70T3399.
3. All V<sub>DD</sub> pins must be connected to 2.5V power supply.
4. All V<sub>DDQ</sub> pins must be connected to appropriate power supply: 3.3V if OPT pin for that port is set to V<sub>DD</sub> (2.5V), and 2.5V if OPT pin for that port is set to V<sub>SS</sub> (0V).
5. All V<sub>SS</sub> pins must be connected to ground supply.
6. Package body is approximately 15mm x 15mm x 1.4mm with 0.8mm ball pitch.
7. This package code is used to reference the package diagram.
8. This text does not indicate orientation of the actual part-marking.

## Pin Names

Left Port	Right Port	Names
$\overline{CE}_{0L}$ , $CE_{1L}$	$\overline{CE}_{0R}$ , $CE_{1R}$	Chip Enables (Input) <sup>(6)</sup>
$R/\overline{WL}$	$R/\overline{WR}$	Read/Write Enable (Input)
$\overline{OE}_L$	$\overline{OE}_R$	Output Enable (Input)
$A_{0L}$ - $A_{18L}$ <sup>(5)</sup>	$A_{0R}$ - $A_{18R}$ <sup>(5)</sup>	Address (Input)
$I/O_{0L}$ - $I/O_{17L}$	$I/O_{0R}$ - $I/O_{17R}$	Data Input/Output
$CLK_L$	$CLK_R$	Clock (Input)
$PL/\overline{FT}_L$	$PL/\overline{FT}_R$	Pipeline/Flow-Through (Input)
$\overline{ADS}_L$	$\overline{ADS}_R$	Address Strobe Enable (Input)
$\overline{CNTEN}_L$	$\overline{CNTEN}_R$	Counter Enable (Input)
$\overline{REPEAT}_L$	$\overline{REPEAT}_R$	Counter Repeat <sup>(3)</sup>
$\overline{UB}_L$	$\overline{UB}_R$	Upper Byte Enable ( $I/O_9$ - $I/O_{17}$ ) <sup>(6)</sup>
$\overline{LB}_L$	$\overline{LB}_R$	Lower Byte Enable ( $I/O_0$ - $I/O_8$ ) <sup>(6)</sup>
$V_{DDQL}$	$V_{DDQR}$	Power (I/O Bus) (3.3V or 2.5V) <sup>(1)</sup> (Input)
$OPT_L$	$OPT_R$	Option for selecting $V_{DDQX}$ <sup>(1,2)</sup> (Input)
$ZZ_L$	$ZZ_R$	Sleep Mode pin <sup>(4)</sup> (Input)
$V_{DD}$		Power (2.5V) <sup>(1)</sup> (Input)
$V_{SS}$		Ground (0V) (Input)
TDI		Test Data Input
TDI		Test Data Output
TCK		Test Logic Clock (10MHz) (Input)
TMS		Test Mode Select (Input)
$\overline{TRST}$		Reset (Initialize TAP Controller) (Input)
$\overline{INT}_L$	$\overline{INT}_R$	Interrupt Flag (Output)
$\overline{COL}_L$	$\overline{COL}_R$	Collision Alert (Output)

5652 tbl 01

### NOTES:

- $V_{DD}$ ,  $OPT_x$ , and  $V_{DDQX}$  must be set to appropriate operating levels prior to applying inputs on the I/Os and controls for that port.
- $OPT_x$  selects the operating voltage levels for the I/Os and controls on that port. If  $OPT_x$  is set to  $V_{DD}$  (2.5V), then that port's I/Os and controls will operate at 3.3V levels and  $V_{DDQX}$  must be supplied at 3.3V. If  $OPT_x$  is set to  $V_{SS}$  (0V), then that port's I/Os and address controls will operate at 2.5V levels and  $V_{DDQX}$  must be supplied at 2.5V. The  $OPT$  pins are independent of one another—both ports can operate at 3.3V levels, both can operate at 2.5V levels, or either can operate at 3.3V with the other at 2.5V.
- When  $\overline{REPEAT}_x$  is asserted, the counter will reset to the last valid address loaded via  $\overline{ADS}_x$ .
- The sleep mode pin shuts off all dynamic inputs, except JTAG inputs, when asserted. All static inputs, i.e.,  $PL/\overline{FT}_x$  and  $OPT_x$  and the sleep mode pins themselves ( $ZZ_x$ ) are not affected during sleep mode. It is recommended that boundary scan not be operated during sleep mode.
- Address  $A_{18x}$  is a NC for the IDT70T3319. Also, Addresses  $A_{18x}$  and  $A_{17x}$  are NC's for the IDT70T3399.
- Chip Enables and Byte Enables are double buffered when  $PL/\overline{FT} = V_{IH}$ , i.e., the signals take two cycles to deselect.

Truth Table I—Read/Write and Enable Control (1,2,3,4)

$\overline{OE}$	CLK	$\overline{CE}_0$	CE <sub>1</sub>	$\overline{UB}$	$\overline{LB}$	R/ $\overline{W}$	ZZ	Upper Byte I/O <sub>9-17</sub>	Lower Byte I/O <sub>0-8</sub>	MODE
X	↑	H	X	X	X	X	L	High-Z	High-Z	Deselected—Power Down
X	↑	X	L	X	X	X	L	High-Z	High-Z	Deselected—Power Down
X	↑	L	H	H	H	X	L	High-Z	High-Z	Both Bytes Deselected
X	↑	L	H	H	L	L	L	High-Z	D <sub>IN</sub>	Write to Lower Byte Only
X	↑	L	H	L	H	L	L	D <sub>IN</sub>	High-Z	Write to Upper Byte Only
X	↑	L	H	L	L	L	L	D <sub>IN</sub>	D <sub>IN</sub>	Write to Both Bytes
L	↑	L	H	H	L	H	L	High-Z	D <sub>OUT</sub>	Read Lower Byte Only
L	↑	L	H	L	H	H	L	D <sub>OUT</sub>	High-Z	Read Upper Byte Only
L	↑	L	H	L	L	H	L	D <sub>OUT</sub>	D <sub>OUT</sub>	Read Both Bytes
H	↑	L	H	L	L	X	L	High-Z	High-Z	Outputs Disabled
X	X	X	X	X	X	X	H	High-Z	High-Z	Sleep Mode

5652 tbl 02

NOTES:

1. "H" = V<sub>IH</sub>, "L" = V<sub>IL</sub>, "X" = Don't Care.
2.  $\overline{ADS}$ ,  $\overline{CNTEN}$ ,  $\overline{REPEAT}$  = X.
3.  $\overline{OE}$  and ZZ are asynchronous input signals.
4. It is possible to read or write any combination of bytes during a given access. A few representative samples have been illustrated here.

Truth Table II—Address Counter Control (1,2)

Address	Previous Internal Address	Internal Address Used	CLK	$\overline{ADS}$	$\overline{CNTEN}$	$\overline{REPEAT}^{(6)}$	I/O <sup>(3)</sup>	MODE
An	X	An	↑	L <sup>(4)</sup>	X	H	D <sub>I/O</sub> (n)	External Address Used
X	An	An + 1	↑	H	L <sup>(5)</sup>	H	D <sub>I/O</sub> (n+1)	Counter Enabled—Internal Address generation
X	An + 1	An + 1	↑	H	H	H	D <sub>I/O</sub> (n+1)	External Address Blocked—Counter disabled (An + 1 reused)
X	X	An	↑	X	X	L <sup>(4)</sup>	D <sub>I/O</sub> (n)	Counter Set to last valid $\overline{ADS}$ load

5652 tbl 03

NOTES:

1. "H" = V<sub>IH</sub>, "L" = V<sub>IL</sub>, "X" = Don't Care.
2. Read and write operations are controlled by the appropriate setting of R/ $\overline{W}$ ,  $\overline{CE}_0$ , CE<sub>1</sub>,  $\overline{UB}$ ,  $\overline{LB}$  and  $\overline{OE}$ .
3. Outputs configured in flow-through output mode: if outputs are in pipelined mode the data out will be delayed by one cycle.
4.  $\overline{ADS}$  and  $\overline{REPEAT}$  are independent of all other memory control signals including  $\overline{CE}_0$ , CE<sub>1</sub>,  $\overline{UB}$  and  $\overline{LB}$ .
5. The address counter advances if  $\overline{CNTEN}$  = V<sub>IL</sub> on the rising edge of CLK, regardless of all other memory control signals including  $\overline{CE}_0$ , CE<sub>1</sub>,  $\overline{UB}$  and  $\overline{LB}$ .
6. When  $\overline{REPEAT}$  is asserted, the counter will reset to the last valid address loaded via  $\overline{ADS}$ . This value is not set at power-up: a known location should be loaded via  $\overline{ADS}$  during initialization if desired. Any subsequent  $\overline{ADS}$  access during operations will update the  $\overline{REPEAT}$  address location.

### Maximum Operating Temperature and Supply Voltage<sup>(1)</sup>

Grade	Ambient Temperature	GND	V <sub>DD</sub>
Commercial	0°C to +70°C	0V	2.5V ± 100mV
Industrial	-40°C to +85°C	0V	2.5V ± 100mV

5652 tbl 04

**NOTE:**

1. This is the parameter TA. This is the "instant on" case temperature.

### Recommended DC Operating Conditions with V<sub>DDQ</sub> at 2.5V

Symbol	Parameter	Min.	Typ.	Max.	Unit
V <sub>DD</sub>	Core Supply Voltage	2.4	2.5	2.6	V
V <sub>DDQ</sub>	I/O Supply Voltage <sup>(3)</sup>	2.4	2.5	2.6	V
V <sub>SS</sub>	Ground	0	0	0	V
V <sub>IH</sub>	Input High Voltage (Address, Control & Data I/O Inputs) <sup>(3)</sup>	1.7	—	V <sub>DDQ</sub> + 100mV <sup>(2)</sup>	V
V <sub>IH</sub>	Input High Voltage - JTAG	1.7	—	V <sub>DD</sub> + 100mV <sup>(2)</sup>	V
V <sub>IH</sub>	Input High Voltage - ZZ, OPT, PIPE/FT	V <sub>DD</sub> - 0.2V	—	V <sub>DD</sub> + 100mV <sup>(2)</sup>	V
V <sub>IL</sub>	Input Low Voltage	-0.3 <sup>(1)</sup>	—	0.7	V
V <sub>IL</sub>	Input Low Voltage - ZZ, OPT, PIPE/FT	-0.3 <sup>(1)</sup>	—	0.2	V

5652 tbl 05a

**NOTES:**

1. V<sub>IL</sub> (min.) = -1.0V for pulse width less than tcyc/2 or 5ns, whichever is less.
2. V<sub>IH</sub> (max.) = V<sub>DDQ</sub> + 1.0V for pulse width less than tcyc/2 or 5ns, whichever is less.
3. To select operation at 2.5V levels on the I/Os and controls of a given port, the OPT pin for that port must be set to V<sub>SS</sub>(0V), and V<sub>DDQX</sub> for that port must be supplied as indicated above.

### Recommended DC Operating Conditions with V<sub>DDQ</sub> at 3.3V

Symbol	Parameter	Min.	Typ.	Max.	Unit
V <sub>DD</sub>	Core Supply Voltage	2.4	2.5	2.6	V
V <sub>DDQ</sub>	I/O Supply Voltage <sup>(3)</sup>	3.15	3.3	3.45	V
V <sub>SS</sub>	Ground	0	0	0	V
V <sub>IH</sub>	Input High Voltage (Address, Control & Data I/O Inputs) <sup>(3)</sup>	2.0	—	V <sub>DDQ</sub> + 150mV <sup>(2)</sup>	V
V <sub>IH</sub>	Input High Voltage - JTAG	1.7	—	V <sub>DD</sub> + 100mV <sup>(2)</sup>	V
V <sub>IH</sub>	Input High Voltage - ZZ, OPT, PIPE/FT	V <sub>DD</sub> - 0.2V	—	V <sub>DD</sub> + 100mV <sup>(2)</sup>	V
V <sub>IL</sub>	Input Low Voltage	-0.3 <sup>(1)</sup>	—	0.8	V
V <sub>IL</sub>	Input Low Voltage - ZZ, OPT, PIPE/FT	-0.3 <sup>(1)</sup>	—	0.2	V

5652 tbl 05b

**NOTES:**

1. V<sub>IL</sub> (min.) = -1.0V for pulse width less than tcyc/2, or 5ns, whichever is less.
2. V<sub>IH</sub> (max.) = V<sub>DDQ</sub> + 1.0V for pulse width less than tcyc/2 or 5ns, whichever is less.
3. To select operation at 3.3V levels on the I/Os and controls of a given port, the OPT pin for that port must be set to V<sub>DD</sub> (2.5V), and V<sub>DDQX</sub> for that port must be supplied as indicated above.

### Absolute Maximum Ratings<sup>(1)</sup>

Symbol	Rating	Commercial & Industrial	Unit
V <sub>TERM</sub> (V <sub>DD</sub> )	V <sub>DD</sub> Terminal Voltage with Respect to GND	-0.5 to 3.6	V
V <sub>TERM</sub> <sup>(2)</sup> (V <sub>DDQ</sub> )	V <sub>DDQ</sub> Terminal Voltage with Respect to GND	-0.3 to V <sub>DDQ</sub> + 0.3	V
V <sub>TERM</sub> <sup>(2)</sup> (INPUTS and I/O's)	Input and I/O Terminal Voltage with Respect to GND	-0.3 to V <sub>DDQ</sub> + 0.3	V
T <sub>BIAS</sub> <sup>(3)</sup>	Temperature Under Bias	-55 to +125	°C
T <sub>STG</sub>	Storage Temperature	-65 to +150	°C
T <sub>JN</sub>	Junction Temperature	+150	°C
I <sub>OUT</sub> (For V <sub>DDQ</sub> = 3.3V)	DC Output Current	50	mA
I <sub>OUT</sub> (For V <sub>DDQ</sub> = 2.5V)	DC Output Current	40	mA

5652 tbl 06

**NOTES:**

- Stresses greater than those listed under ABSOLUTE MAXIMUM RATINGS may cause permanent damage to the device. This is a stress rating only and functional operation of the device at these or any other conditions above those indicated in the operational sections of this specification is not implied. Exposure to absolute maximum rating conditions for extended periods may affect reliability.
- This is a steady-state DC parameter that applies after the power supply has reached its nominal operating value. Power sequencing is not necessary; however, the voltage on any Input or I/O pin cannot exceed V<sub>DDQ</sub> during power supply ramp up.
- Ambient Temperature under DC Bias. No AC Conditions. Chip Deselected.

### Capacitance<sup>(1)</sup>

(T<sub>A</sub> = +25°C, f = 1.0MHz) PQFP ONLY

Symbol	Parameter	Conditions <sup>(2)</sup>	Max.	Unit
C <sub>IN</sub>	Input Capacitance	V <sub>IN</sub> = 3dV	8	pF
C <sub>OUT</sub> <sup>(3)</sup>	Output Capacitance	V <sub>OUT</sub> = 3dV	10.5	pF

5652 tbl 07

**NOTES:**

- These parameters are determined by device characterization, but are not production tested.
- 3dV references the interpolated capacitance when the input and output switch from 0V to 3V or from 3V to 0V.
- C<sub>OUT</sub> also references C<sub>IO</sub>.

### DC Electrical Characteristics Over the Operating Temperature and Supply Voltage Range (V<sub>DD</sub> = 2.5V ± 100mV)

Symbol	Parameter	Test Conditions	70T3339/19/99S		Unit
			Min.	Max.	
I <sub>LI</sub>	Input Leakage Current <sup>(1)</sup>	V <sub>DDQ</sub> = Max., V <sub>IN</sub> = 0V to V <sub>DDQ</sub>	—	10	µA
I <sub>LI</sub>	JTAG & ZZ Input Leakage Current <sup>(1,2)</sup>	V <sub>DD</sub> = Max., V <sub>IN</sub> = 0V to V <sub>DD</sub>	—	±30	µA
I <sub>LO</sub>	Output Leakage Current <sup>(1,3)</sup>	$\overline{CE}0 = V_{IH}$ or CE1 = V <sub>IL</sub> , V <sub>OUT</sub> = 0V to V <sub>DDQ</sub>	—	10	µA
V <sub>OL</sub> (3.3V)	Output Low Voltage <sup>(1)</sup>	I <sub>OL</sub> = +4mA, V <sub>DDQ</sub> = Min.	—	0.4	V
V <sub>OH</sub> (3.3V)	Output High Voltage <sup>(1)</sup>	I <sub>OH</sub> = -4mA, V <sub>DDQ</sub> = Min.	2.4	—	V
V <sub>OL</sub> (2.5V)	Output Low Voltage <sup>(1)</sup>	I <sub>OL</sub> = +2mA, V <sub>DDQ</sub> = Min.	—	0.4	V
V <sub>OH</sub> (2.5V)	Output High Voltage <sup>(1)</sup>	I <sub>OH</sub> = -2mA, V <sub>DDQ</sub> = Min.	2.0	—	V

5652 tbl 08

**NOTES:**

- V<sub>DDQ</sub> is selectable (3.3V/2.5V) via OPT pins. Refer to p.6 for details.
- Applicable only for TMS, TDI and TRST inputs.
- Outputs tested in tri-state mode.



DC Electrical Characteristics Over the Operating Temperature and Supply Voltage Range <sup>(3)</sup>(V<sub>DD</sub> = 2.5V ± 100mV)

Symbol	Parameter	Test Condition	Version	70T3339/19/99 S200 Com'l Only <sup>(7)</sup>		70T3339/19/99 S166 Com'l & Ind		70T3339/19/99 S133 Com'l & Ind		Unit
				Typ. <sup>(4)</sup>	Max.	Typ. <sup>(4)</sup>	Max.	Typ. <sup>(4)</sup>	Max.	
I <sub>DD</sub>	Dynamic Operating Current (Both Ports Active)	$\overline{CE}_L$ and $\overline{CE}_R = V_{IL}$ , Outputs Disabled, $f = f_{MAX}^{(1)}$	COM'L S	375	525	320	450	260	370	mA
			IND S	—	—	320	510	260	450	
I <sub>SB1</sub> <sup>(6)</sup>	Standby Current (Both Ports - TTL Level Inputs)	$\overline{CE}_L = \overline{CE}_R = V_{IH}$ $f = f_{MAX}^{(1)}$	COM'L S	205	270	175	230	140	190	mA
			IND S	—	—	175	275	140	235	
I <sub>SB2</sub> <sup>(6)</sup>	Standby Current (One Port - TTL Level Inputs)	$\overline{CE}^*A = V_{IL}$ and $\overline{CE}^*B = V_{IH}^{(5)}$ Active Port Outputs Disabled, $f = f_{MAX}^{(1)}$	COM'L S	300	375	250	325	200	250	mA
			IND S	—	—	250	365	200	310	
I <sub>SB3</sub>	Full Standby Current (Both Ports - CMOS Level Inputs)	Both Ports $\overline{CE}_L$ and $\overline{CE}_R \geq V_{DDQ} - 0.2V$ , $V_{IN} \geq V_{DDQ} - 0.2V$ or $V_{IN} \leq 0.2V$ , $f = 0^{(2)}$	COM'L S	5	15	5	15	5	15	mA
			IND S	—	—	5	20	5	20	
I <sub>SB4</sub> <sup>(6)</sup>	Full Standby Current (One Port - CMOS Level Inputs)	$\overline{CE}^*A \leq 0.2V$ and $\overline{CE}^*B \geq V_{DDQ} - 0.2V^{(5)}$ $V_{IN} \geq V_{DDQ} - 0.2V$ or $V_{IN} \leq 0.2V$ Active Port, Outputs Disabled, $f = f_{MAX}^{(1)}$	COM'L S	300	375	250	325	200	250	mA
			IND S	—	—	250	365	200	310	
I <sub>ZZ</sub>	Sleep Mode Current (Both Ports - TTL Level Inputs)	$ZZ_L = ZZ_R = V_{IH}$ $f = f_{MAX}^{(1)}$	COM'L S	5	15	5	15	5	15	mA
			IND S	—	—	5	20	5	20	

5652 tbl 09

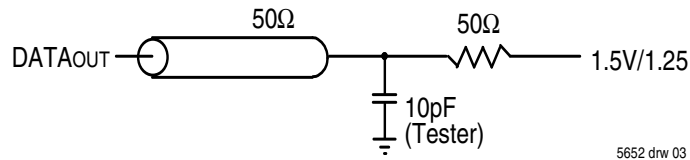
NOTES:

- At  $f = f_{MAX}$ , address and control lines (except Output Enable) are cycling at the maximum frequency clock cycle of 1/t<sub>cyc</sub>, using "AC TEST CONDITIONS".
- $f = 0$  means no address, clock, or control lines change. Applies only to input at CMOS level standby.
- Port "A" may be either left or right port. Port "B" is the opposite from port "A".
- V<sub>DD</sub> = 2.5V, T<sub>A</sub> = 25°C for Typ, and are not production tested. I<sub>DD</sub> dc(f=0) = 15mA (Typ).
- $\overline{CE}_X = V_{IL}$  means  $\overline{CE}_{0X} = V_{IL}$  and  $CE_{1X} = V_{IH}$   
 $\overline{CE}_X = V_{IH}$  means  $\overline{CE}_{0X} = V_{IH}$  or  $CE_{1X} = V_{IL}$   
 $\overline{CE}_X \leq 0.2V$  means  $\overline{CE}_{0X} \leq 0.2V$  and  $CE_{1X} \geq V_{DDQ} - 0.2V$   
 $\overline{CE}_X \geq V_{DDQ} - 0.2V$  means  $\overline{CE}_{0X} \geq V_{DDQ} - 0.2V$  or  $CE_{1X} \leq 0.2V$   
 "X" represents "L" for left port or "R" for right port.
- I<sub>SB1</sub>, I<sub>SB2</sub> and I<sub>SB4</sub> will all reach full standby levels (I<sub>SB3</sub>) on the appropriate port(s) if ZZ<sub>L</sub> and/or ZZ<sub>R</sub> = V<sub>IH</sub>.
- 200Mhz is not available in the BF-208 package.

AC Test Conditions ( $V_{DDQ} = 3.3V/2.5V$ )

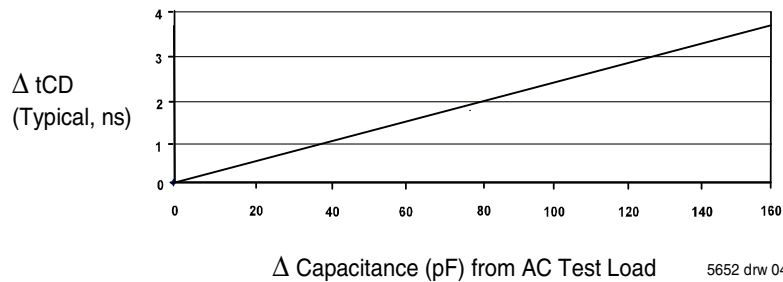
Input Pulse Levels (Address & Controls)	GND to 3.0V/GND to 2.4V
Input Pulse Levels (I/Os)	GND to 3.0V/GND to 2.4V
Input Rise/Fall Times	2ns
Input Timing Reference Levels	1.5V/1.25V
Output Reference Levels	1.5V/1.25V
Output Load	Figures 1 and 2

5652 tbl 10



5652 drw 03

Figure 1. AC Output Test load.



5652 drw 04

AC Electrical Characteristics Over the Operating Temperature Range  
(Read and Write Cycle Timing) <sup>(2,3)</sup> ( $V_{DD} = 2.5V \pm 100mV$ ,  $T_A = 0^{\circ}C$  to  $+70^{\circ}C$ )

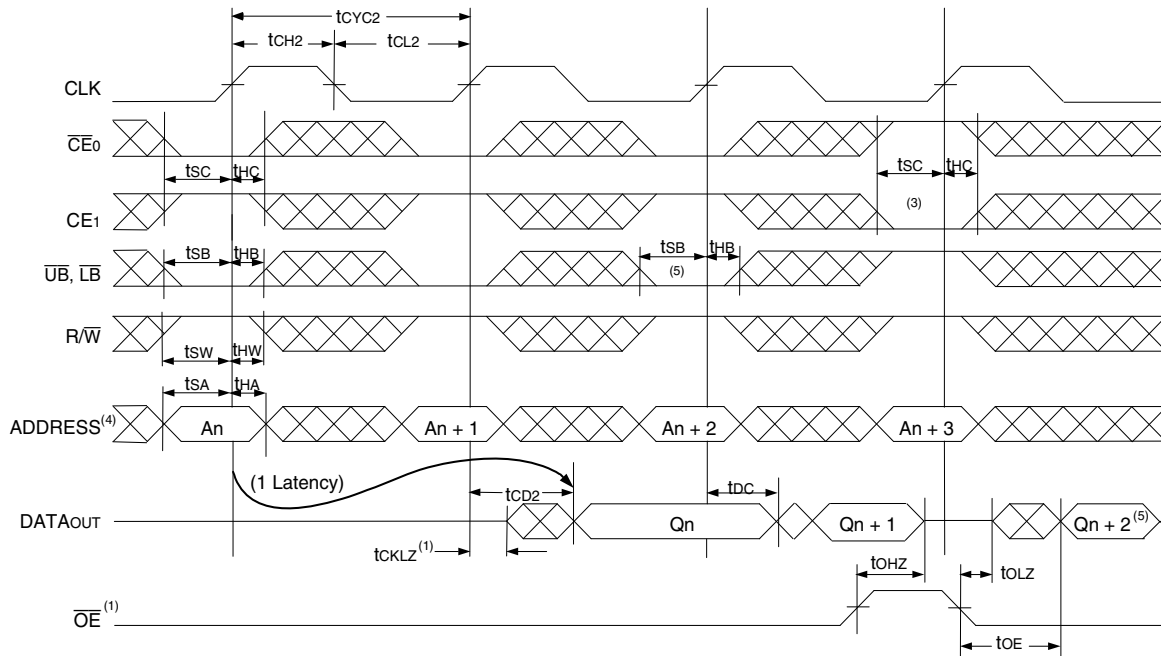
Symbol	Parameter	70T3339/19/99 S200 Com1 Only <sup>(4)</sup>		70T3339/19/99 S166 Com1 & Ind		70T3339/19/99 S133 Com1 & Ind		Unit
		Min.	Max.	Min.	Max.	Min.	Max.	
t <sub>CYC1</sub>	Clock Cycle Time (Flow-Through) <sup>(1)</sup>	15	—	20	—	25	—	ns
t <sub>CYC2</sub>	Clock Cycle Time (Pipelined) <sup>(1)</sup>	5	—	6	—	7.5	—	ns
t <sub>CH1</sub>	Clock High Time (Flow-Through) <sup>(1)</sup>	6	—	8	—	10	—	ns
t <sub>CL1</sub>	Clock Low Time (Flow-Through) <sup>(1)</sup>	6	—	8	—	10	—	ns
t <sub>CH2</sub>	Clock High Time (Pipelined) <sup>(2)</sup>	2	—	2.4	—	3	—	ns
t <sub>CL2</sub>	Clock Low Time (Pipelined) <sup>(1)</sup>	2	—	2.4	—	3	—	ns
t <sub>SA</sub>	Address Setup Time	1.5	—	1.7	—	1.8	—	ns
t <sub>HA</sub>	Address Hold Time	0.5	—	0.5	—	0.5	—	ns
t <sub>SC</sub>	Chip Enable Setup Time	1.5	—	1.7	—	1.8	—	ns
t <sub>HC</sub>	Chip Enable Hold Time	0.5	—	0.5	—	0.5	—	ns
t <sub>SB</sub>	Byte Enable Setup Time	1.5	—	1.7	—	1.8	—	ns
t <sub>HB</sub>	Byte Enable Hold Time	0.5	—	0.5	—	0.5	—	ns
t <sub>SW</sub>	R/W Setup Time	1.5	—	1.7	—	1.8	—	ns
t <sub>HW</sub>	R/W Hold Time	0.5	—	0.5	—	0.5	—	ns
t <sub>SD</sub>	Input Data Setup Time	1.5	—	1.7	—	1.8	—	ns
t <sub>HD</sub>	Input Data Hold Time	0.5	—	0.5	—	0.5	—	ns
t <sub>SAD</sub>	$\overline{ADS}$ Setup Time	1.5	—	1.7	—	1.8	—	ns
t <sub>HAD</sub>	$\overline{ADS}$ Hold Time	0.5	—	0.5	—	0.5	—	ns
t <sub>SCN</sub>	$\overline{CNTEN}$ Setup Time	1.5	—	1.7	—	1.8	—	ns
t <sub>HCN</sub>	$\overline{CNTEN}$ Hold Time	0.5	—	0.5	—	0.5	—	ns
t <sub>SRPT</sub>	$\overline{REPEAT}$ Setup Time	1.5	—	1.7	—	1.8	—	ns
t <sub>HRPT</sub>	$\overline{REPEAT}$ Hold Time	0.5	—	0.5	—	0.5	—	ns
t <sub>OE</sub>	Output Enable to Data Valid	—	4.4	—	4.4	—	4.6	ns
t <sub>OLZ</sub> <sup>(5)</sup>	Output Enable to Output Low-Z	1	—	1	—	1	—	ns
t <sub>OHZ</sub> <sup>(5)</sup>	Output Enable to Output High-Z	1	3.4	1	3.6	1	4.2	ns
t <sub>CD1</sub>	Clock to Data Valid (Flow-Through) <sup>(1)</sup>	—	10	—	12	—	15	ns
t <sub>CD2</sub>	Clock to Data Valid (Pipelined) <sup>(1)</sup>	—	3.4	—	3.6	—	4.2	ns
t <sub>DC</sub>	Data Output Hold After Clock High	1	—	1	—	1	—	ns
t <sub>CKHZ</sub> <sup>(5)</sup>	Clock High to Output High-Z	1	3.4	1	3.6	1	4.2	ns
t <sub>CKLZ</sub> <sup>(5)</sup>	Clock High to Output Low-Z	1	—	1	—	1	—	ns
t <sub>INS</sub>	Interrupt Flag Set Time	—	7	—	7	—	7	ns
t <sub>NR</sub>	Interrupt Flag Reset Time	—	7	—	7	—	7	ns
t <sub>COLS</sub>	Collision Flag Set Time	—	3.4	—	3.6	—	4.2	ns
t <sub>COLR</sub>	Collision Flag Reset Time	—	3.4	—	3.6	—	4.2	ns
t <sub>ZZSC</sub>	Sleep Mode Set Cycles	2	—	2	—	2	—	cycles
t <sub>ZZRC</sub>	Sleep Mode Recovery Cycles	3	—	3	—	3	—	cycles
<b>Port-to-Port Delay</b>								
t <sub>CO</sub>	Clock-to-Clock Offset	4	—	5	—	6	—	ns
t <sub>ofs</sub>	Clock-to-Clock Offset for Collision Detection	Please refer to Collision Detection Timing Table on Page 20						

5652 tbl 11

NOTES:

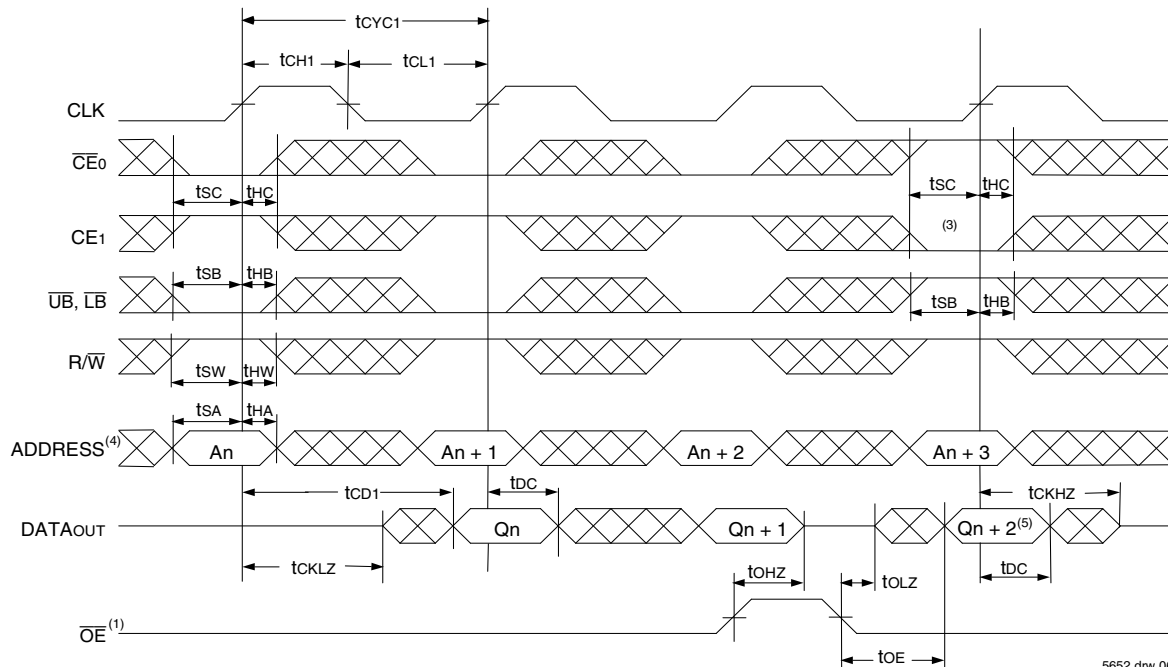
1. The Pipelined output parameters (t<sub>CYC2</sub>, t<sub>CD2</sub>) apply to either or both left and right ports when  $\overline{FT}/PIPEx = V_{DD}$  (2.5V). Flow-through parameters (t<sub>CYC1</sub>, t<sub>CD1</sub>) apply when  $\overline{FT}/PIPE = V_{SS}$  (0V) for that port.
2. All input signals are synchronous with respect to the clock except for the asynchronous Output Enable ( $\overline{OE}$ ),  $\overline{FT}/PIPE$  and OPT.  $\overline{FT}/PIPE$  and OPT should be treated as DC signals, i.e. steady state during operation.
3. These values are valid for either level of  $V_{DD0}$  (3.3V/2.5V). See page 5 for details on selecting the desired operating voltage levels for each port.
4. 200Mhz is not available in BF-208 package.
5. Guaranteed by design (not production tested).

### Timing Waveform of Read Cycle for Pipelined Operation (FT/PIPE"x" = VIH)<sup>(2)</sup>



5652 drw 05

### Timing Waveform of Read Cycle for Flow-through Output (FT/PIPE"x" = VIL)<sup>(2,6)</sup>

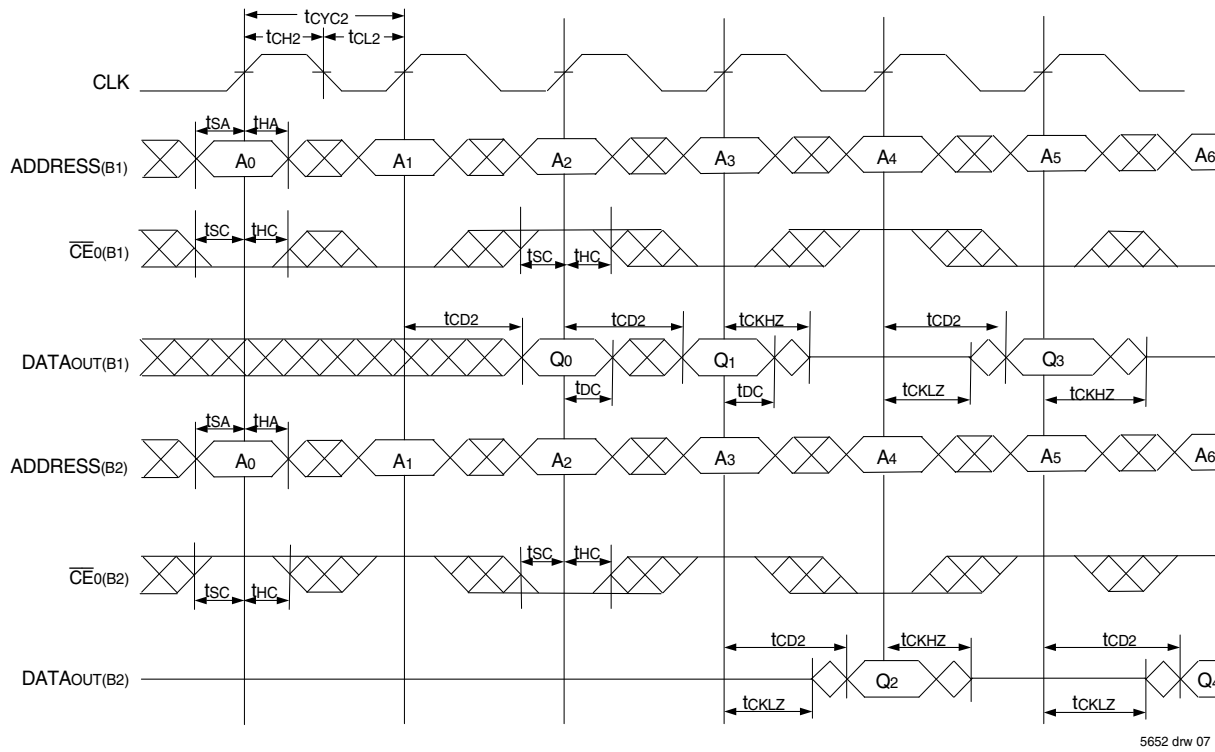


5652 drw 06

**NOTES:**

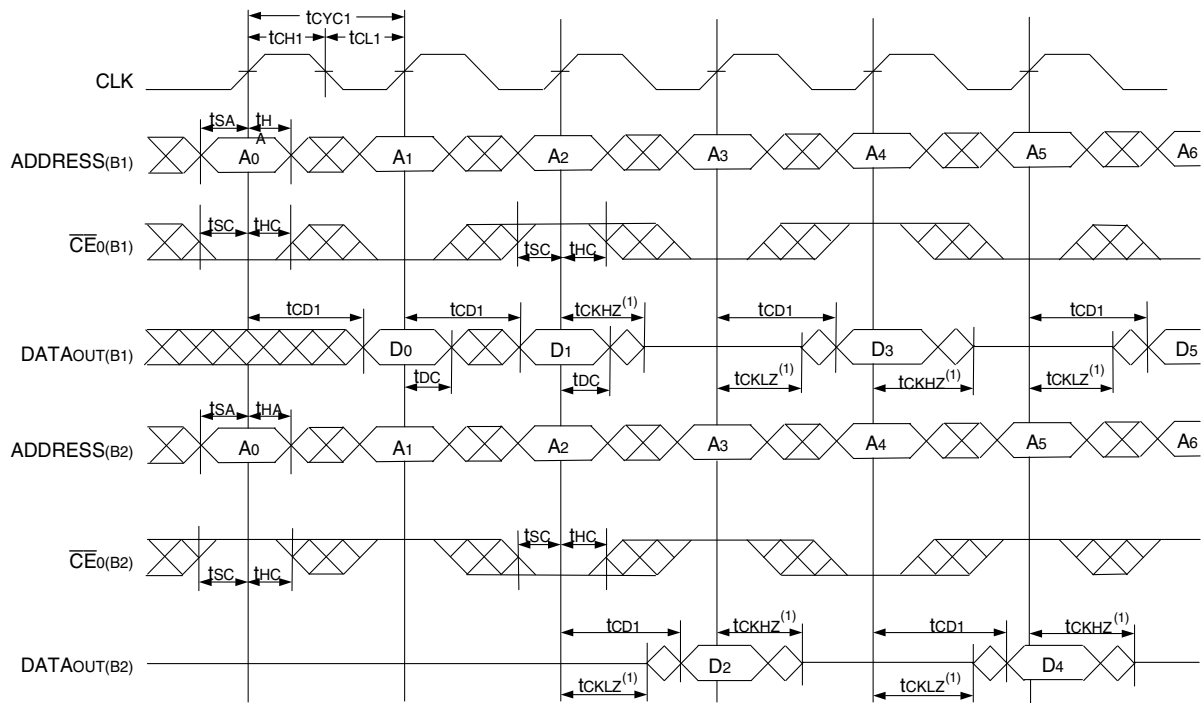
1.  $\overline{OE}$  is asynchronously controlled; all other inputs depicted in the above waveforms are synchronous to the rising clock edge.
2.  $\overline{ADS} = V_{IL}$ ,  $\overline{CNTEN}$  and  $\overline{REPEAT} = V_{IH}$ .
3. The output is disabled (High-Impedance state) by  $\overline{CE0} = V_{IH}$ ,  $CE1 = V_{IL}$ ,  $\overline{UB}$ ,  $\overline{LB} = V_{IH}$  following the next rising edge of the clock. Refer to Truth Table 1.
4. Addresses do not have to be accessed sequentially since  $\overline{ADS} = V_{IL}$  constantly loads the address on the rising edge of the CLK; numbers are for reference use only.
5. If  $\overline{UB}$ ,  $\overline{LB}$  was HIGH, then the appropriate Byte of DATAout for  $Qn + 2$  would be disabled (High-Impedance state).
6. "x" denotes Left or Right port. The diagram is with respect to that port.

### Timing Waveform of a Multi-Device Pipelined Read<sup>(1,2)</sup>



5652 drw 07

### Timing Waveform of a Multi-Device Flow-Through Read<sup>(1,2)</sup>

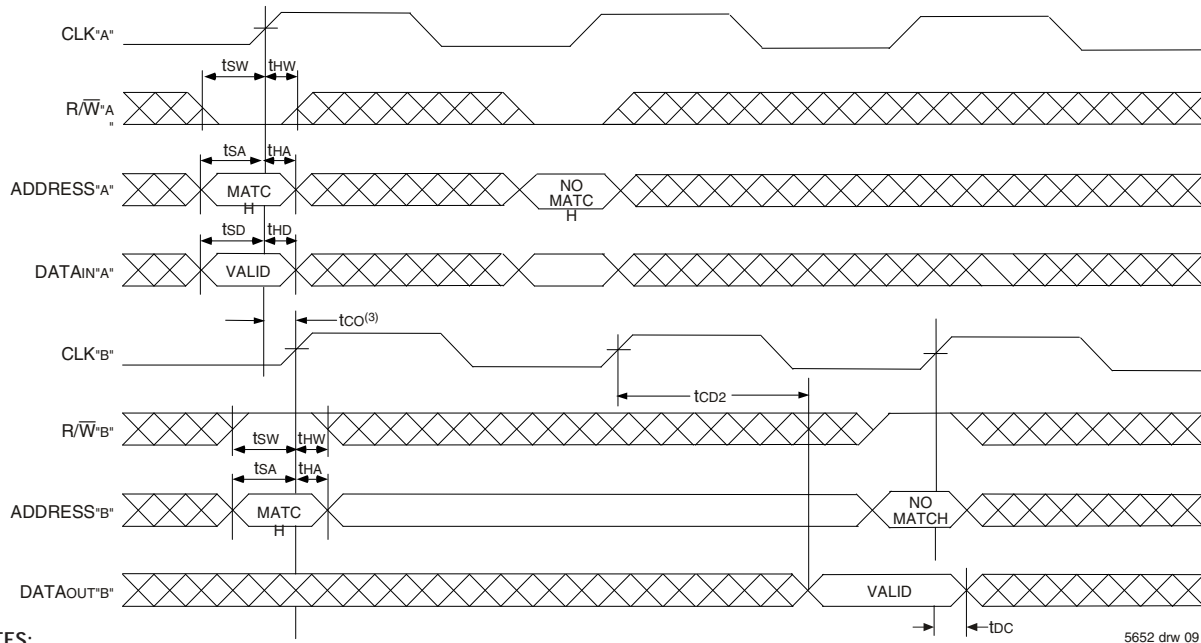


5652 drw 08

**NOTES:**

1. B1 Represents Device #1; B2 Represents Device #2. Each Device consists of one IDT70T3339/19/99 for this waveform, and are setup for depth expansion in this example. ADDRESS(B1) = ADDRESS(B2) in this situation.
2.  $\bar{UB}$ ,  $\bar{LB}$ ,  $\bar{OE}$ , and  $\bar{ADS}$  = VIH; CE1(B1), CE1(B2),  $\bar{RW}$ ,  $\bar{CNTEN}$ , and REPEAT = VIH.

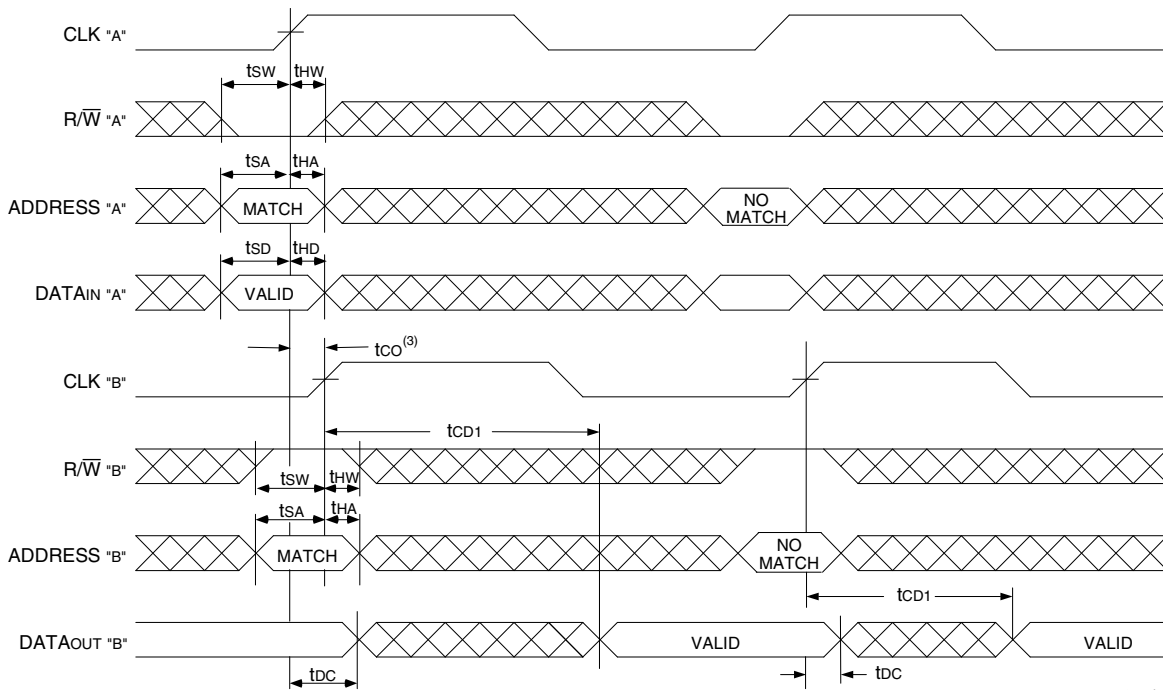
### Timing Waveform of Left Port Write to Pipelined Right Port Read<sup>(1,2,4)</sup>



**NOTES:**

1.  $\overline{CE}_0$ ,  $\overline{UB}$ ,  $\overline{LB}$ , and  $\overline{ADS} = V_{IL}$ ;  $\overline{CE}_1$ ,  $\overline{CNTEN}$ , and  $\overline{REPEAT} = V_{IH}$ .
2.  $\overline{OE} = V_{IL}$  for Port "B", which is being read from.  $\overline{OE} = V_{IH}$  for Port "A", which is being written to.
3. If  $t_{CO} \leq$  minimum specified, then data from Port "B" read is not valid until following Port "B" clock cycle (ie, time from write to valid read on opposite port will be  $t_{CO} + 2 t_{CYC2} + t_{CD2}$ ). If  $t_{CO} >$  minimum, then data from Port "B" read is available on first Port "B" clock cycle (ie, time from write to valid read on opposite port will be  $t_{CO} + t_{CYC2} + t_{CD2}$ ).
4. All timing is the same for Left and Right ports. Port "A" may be either Left or Right port. Port "B" is the opposite of Port "A"

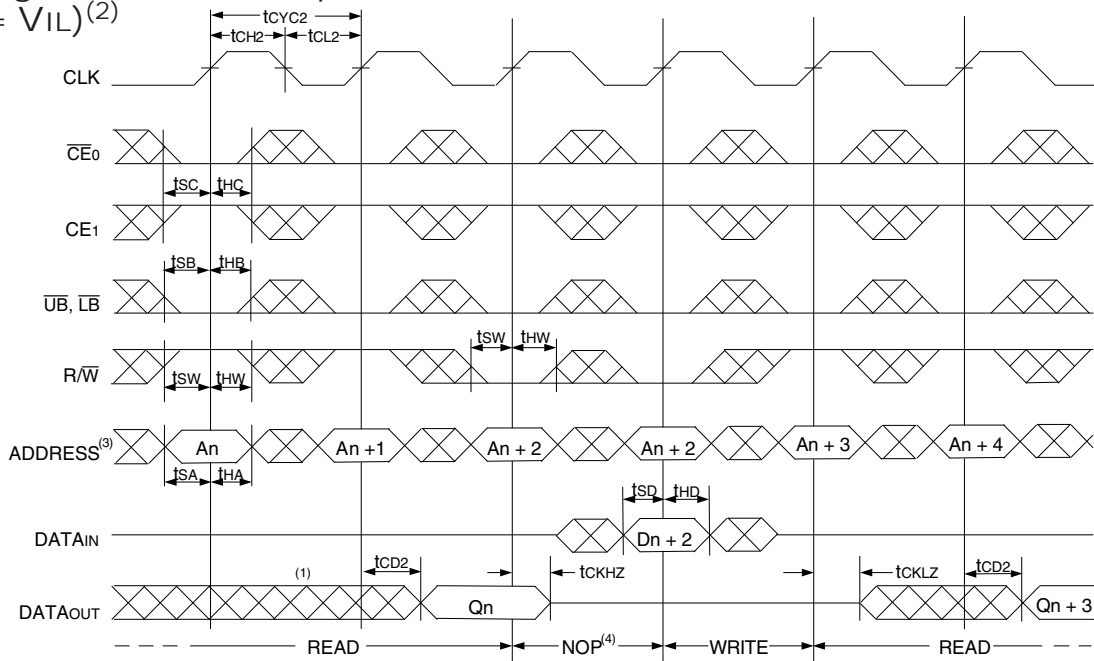
### Timing Waveform with Port-to-Port Flow-Through Read<sup>(1,2,4)</sup>



**NOTES:**

1.  $\overline{CE}_0$ ,  $\overline{UB}$ ,  $\overline{LB}$ , and  $\overline{ADS} = V_{IL}$ ;  $\overline{CE}_1$ ,  $\overline{CNTEN}$ , and  $\overline{REPEAT} = V_{IH}$ .
2.  $\overline{OE} = V_{IL}$  for the Right Port, which is being read from.  $\overline{OE} = V_{IH}$  for the Left Port, which is being written to.
3. If  $t_{CO} \leq$  minimum specified, then data from Port "B" read is not valid until following Port "B" clock cycle (i.e., time from write to valid read on opposite port will be  $t_{CO} + t_{CYC} + t_{CD1}$ ). If  $t_{CO} >$  minimum, then data from Port "B" read is available on first Port "B" clock cycle (i.e., time from write to valid read on opposite port will be  $t_{CO} + t_{CD1}$ ).
4. All timing is the same for both left and right ports. Port "A" may be either left or right port. Port "B" is the opposite of Port "A".

Timing Waveform of Pipelined Read-to-Write-to-Read  
( $\overline{OE} = V_{IL}$ )<sup>(2)</sup>

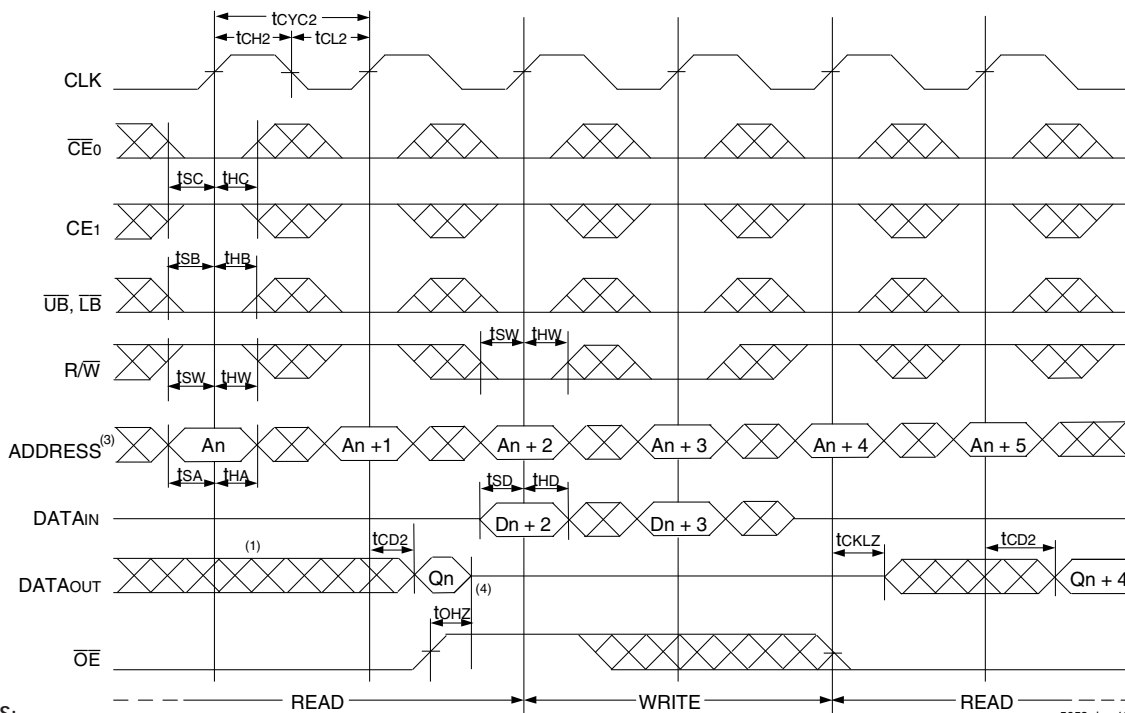


NOTES:

1. Output state (High, Low, or High-impedance) is determined by the previous cycle control signals.
2.  $\overline{CE0}$ ,  $\overline{UB}$ ,  $\overline{LB}$ , and  $\overline{ADS} = V_{IL}$ ;  $\overline{CE1}$ ,  $\overline{CNTEN}$ , and  $\overline{REPEAT} = V_{IH}$ . "NOP" is "No Operation".
3. Addresses do not have to be accessed sequentially since  $\overline{ADS} = V_{IL}$  constantly loads the address on the rising edge of the CLK; numbers are for reference use only.
4. "NOP" is "No Operation." Data in memory at the selected address may be corrupted and should be rewritten to guarantee data integrity.

5652 drw 11

Timing Waveform of Pipelined Read-to-Write-to-Read ( $\overline{OE}$  Controlled)<sup>(2)</sup>

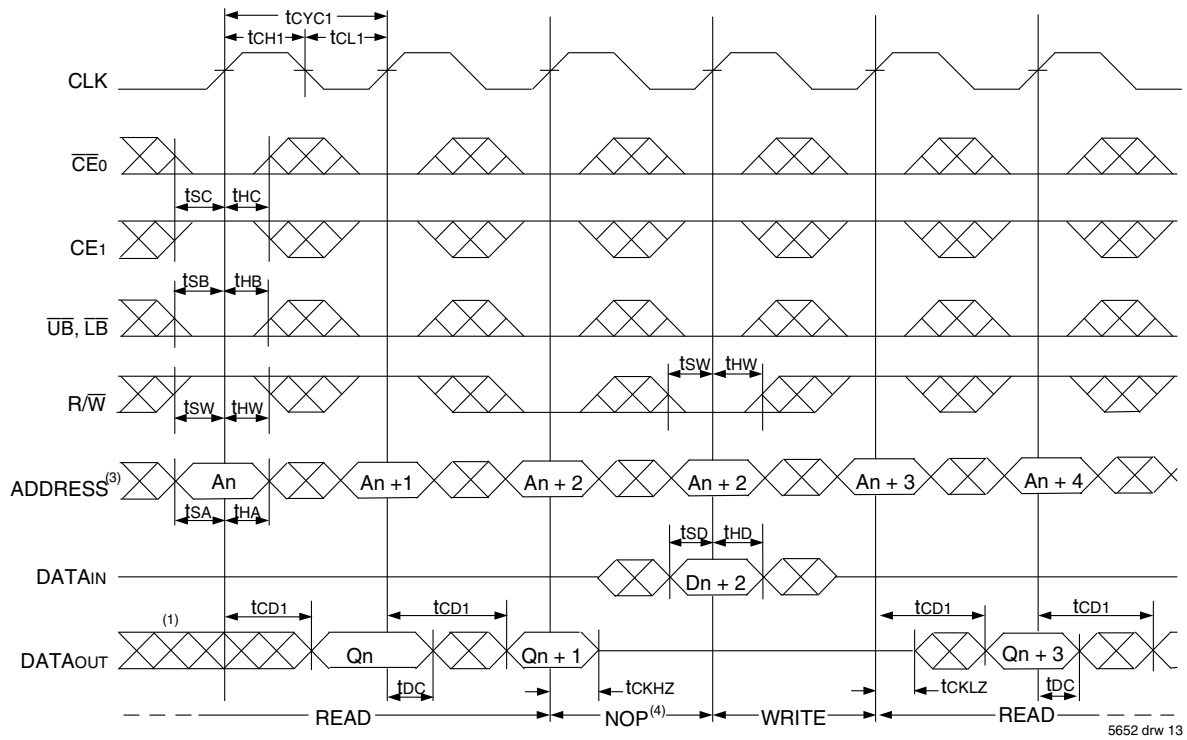


NOTES:

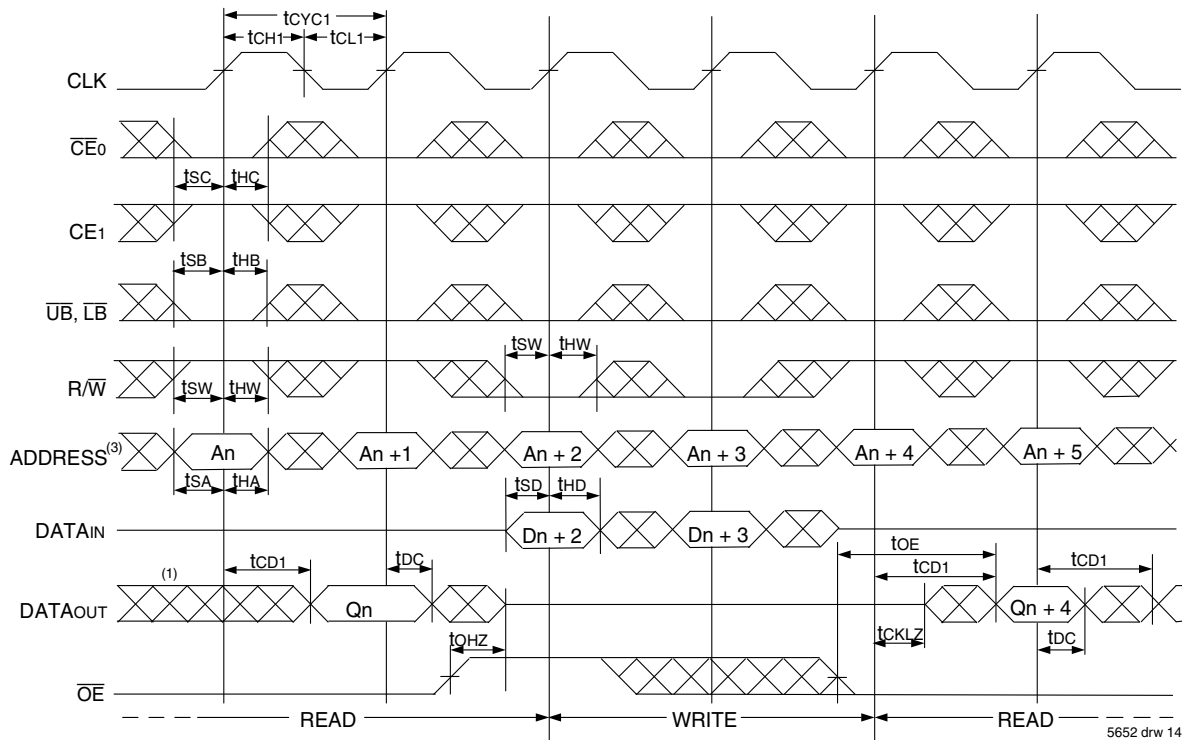
1. Output state (High, Low, or High-impedance) is determined by the previous cycle control signals.
2.  $\overline{CE0}$ ,  $\overline{UB}$ ,  $\overline{LB}$ , and  $\overline{ADS} = V_{IL}$ ;  $\overline{CE1}$ ,  $\overline{CNTEN}$ , and  $\overline{REPEAT} = V_{IH}$ .
3. Addresses do not have to be accessed sequentially since  $\overline{ADS} = V_{IL}$  constantly loads the address on the rising edge of the CLK; numbers are for reference use only.
4. This timing does not meet requirements for fastest speed grade. This waveform indicates how logically it could be done if timing so allows.

5652 drw 12

Timing Waveform of Flow-Through Read-to-Write-to-Read ( $\overline{OE} = V_{IL}$ )<sup>(2)</sup>



Timing Waveform of Flow-Through Read-to-Write-to-Read ( $\overline{OE}$  Controlled)<sup>(2)</sup>

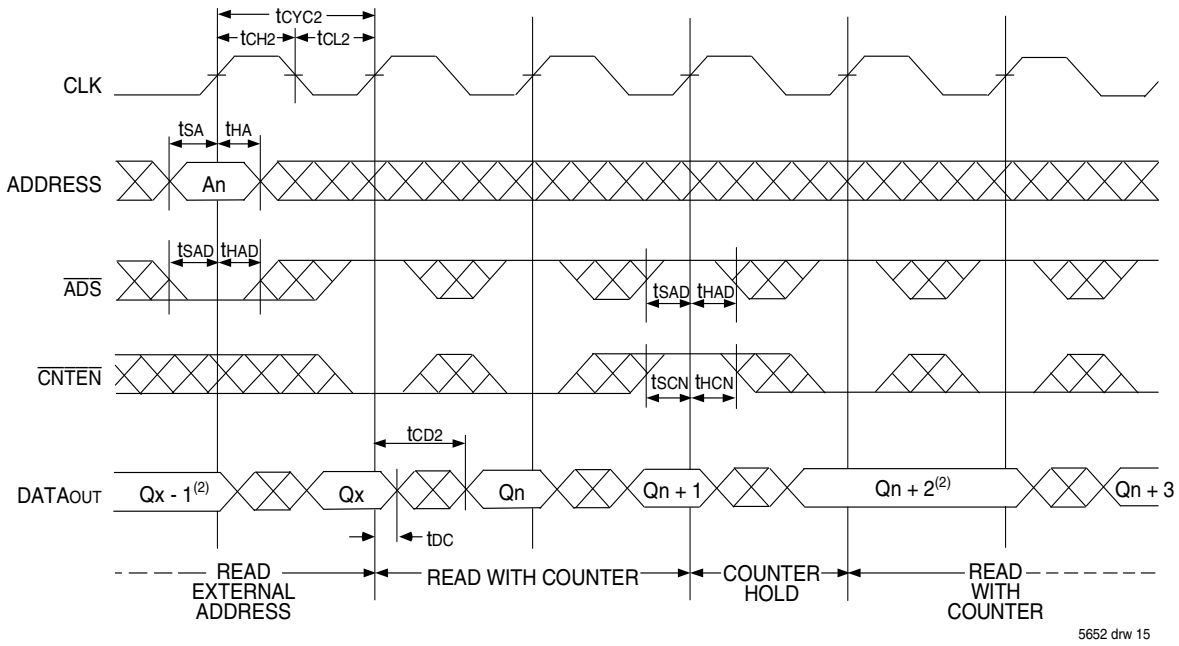


NOTES:

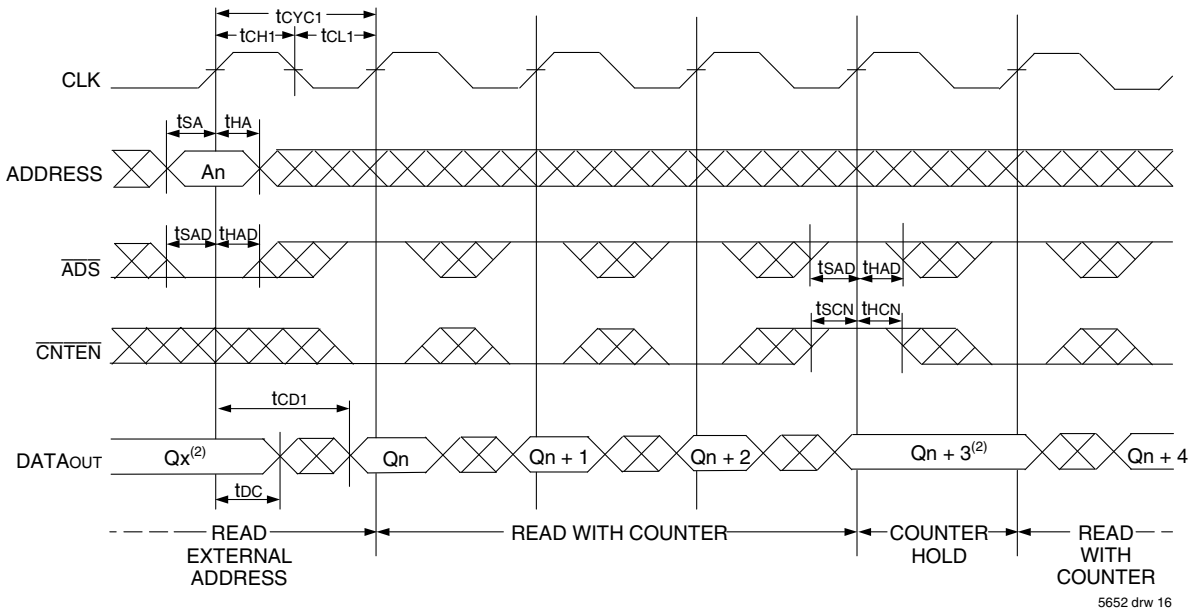
1. Output state (High, Low, or High-impedance) is determined by the previous cycle control signals.
2.  $\overline{CE}_0$ ,  $\overline{UB}$ ,  $\overline{LB}$ , and  $\overline{ADS} = V_{IL}$ ;  $\overline{CE}_1$ ,  $\overline{CNTEN}$ , and  $\overline{REPEAT} = V_{IH}$ .
3. Addresses do not have to be accessed sequentially since  $\overline{ADS} = V_{IL}$  constantly loads the address on the rising edge of the CLK; numbers are for reference use only.
4. "NOP" is "No Operation." Data in memory at the selected address may be corrupted and should be rewritten to guarantee data integrity.



Timing Waveform of Pipelined Read with Address Counter Advance<sup>(1)</sup>



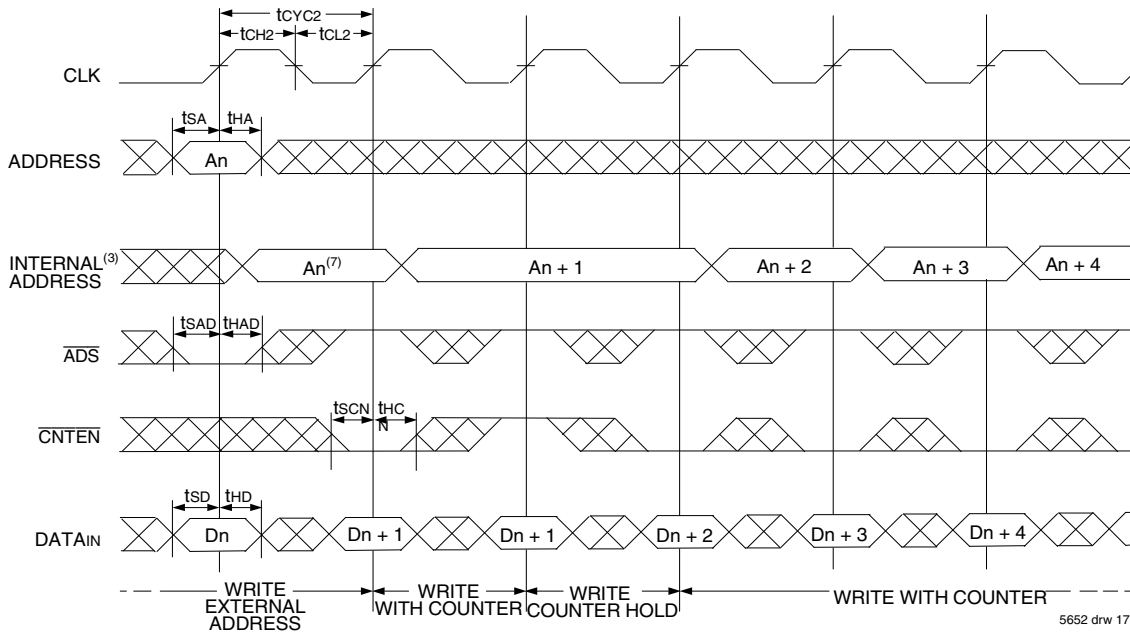
Timing Waveform of Flow-Through Read with Address Counter Advance<sup>(1)</sup>



NOTES:

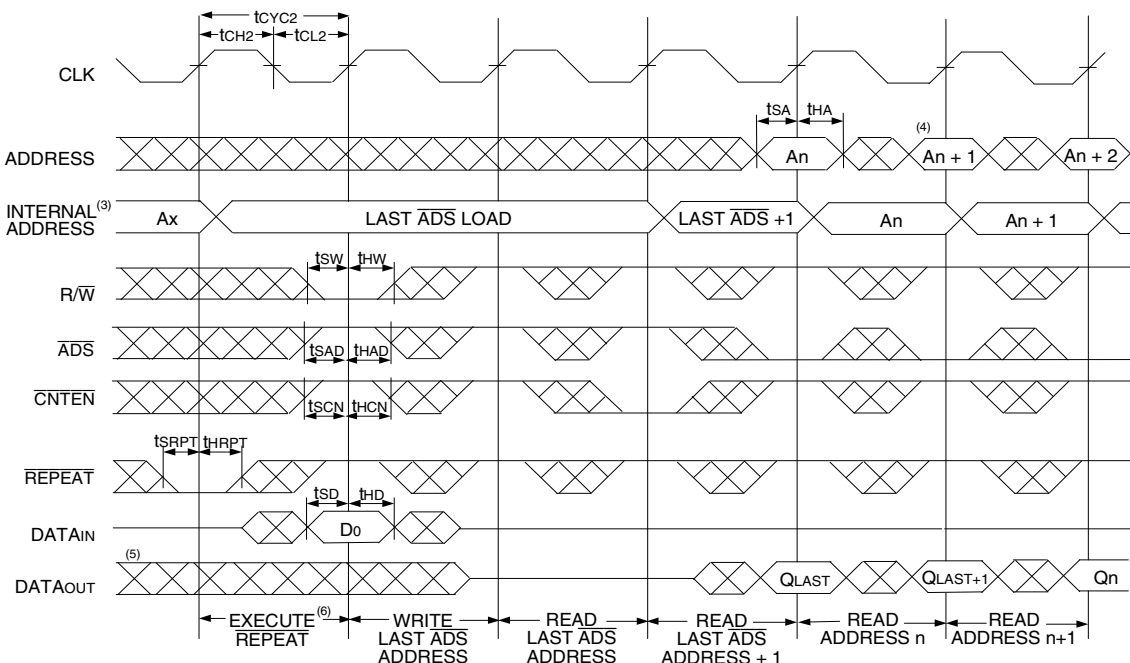
1.  $\overline{CE_0}$ ,  $\overline{OE}$ ,  $\overline{UB}$ ,  $\overline{LB}$  =  $V_{IL}$ ;  $\overline{CE_1}$ ,  $\overline{R/\overline{W}}$ , and  $\overline{REPEAT}$  =  $V_{IH}$ .
2. If there is no address change via  $\overline{ADS} = V_{IL}$  (loading a new address) or  $\overline{CNTEN} = V_{IL}$  (advancing the address), i.e.  $\overline{ADS} = V_{IH}$  and  $\overline{CNTEN} = V_{IH}$ , then the data output remains constant for subsequent clocks.

### Timing Waveform of Write with Address Counter Advance (Flow-through or Pipelined Inputs)<sup>(1)</sup>



5652 drw 17

### Timing Waveform of Counter Repeat<sup>(2)</sup>

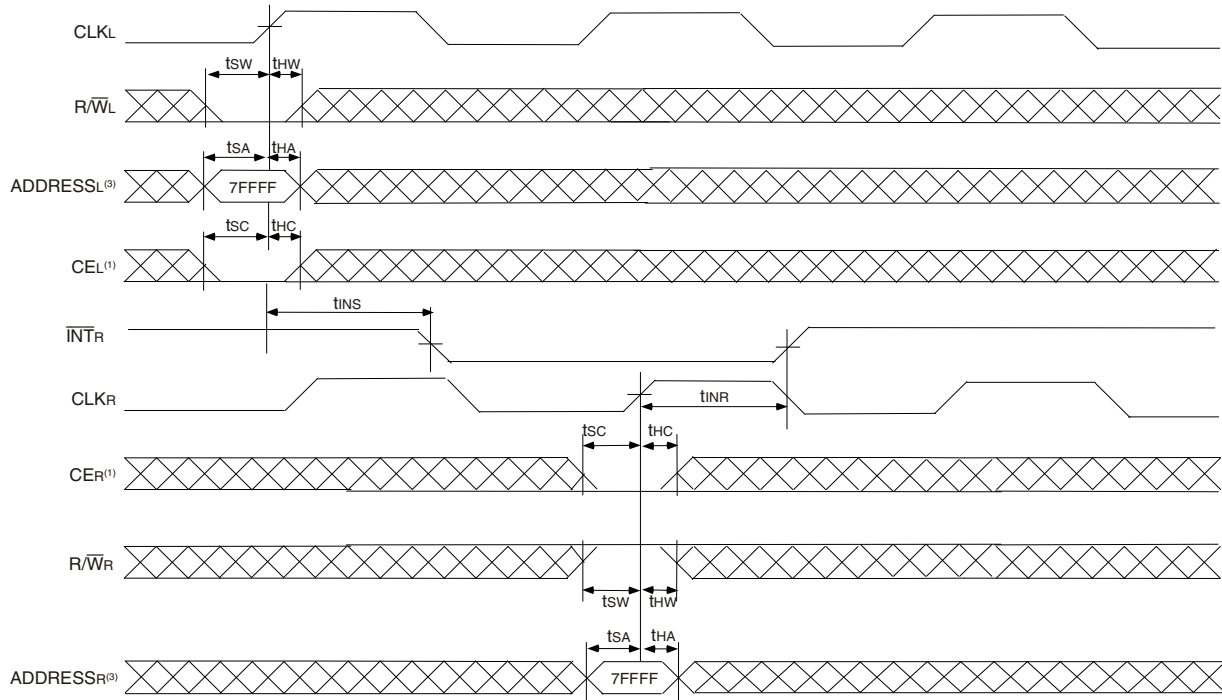


5652 drw 18

**NOTES:**

1.  $\overline{CE}_0$ ,  $\overline{UB}$ ,  $\overline{LB}$ , and  $R/\overline{W}$  =  $V_{IL}$ ;  $CE_1$  and  $\overline{REPEAT}$  =  $V_{IH}$ .
2.  $\overline{CE}_0$ ,  $\overline{UB}$ ,  $\overline{LB}$  =  $V_{IL}$ ;  $CE_1$  =  $V_{IH}$ .
3. The "Internal Address" is equal to the "External Address" when  $\overline{ADS} = V_{IL}$  and equals the counter output when  $\overline{ADS} = V_{IH}$ .
4. Addresses do not have to be accessed sequentially since  $\overline{ADS} = V_{IL}$  constantly loads the address on the rising edge of the CLK; numbers are for reference use only.
5. Output state (High, Low, or High-impedance) is determined by the previous cycle control signals.
6. No dead cycle exists during REPEAT operation. A READ or WRITE cycle may be coincidental with the counter REPEAT cycle: Address loaded by last valid  $\overline{ADS}$  load will be accessed. Extra cycles are shown here simply for clarification. For more information on REPEAT function refer to Truth Table II.
7.  $\overline{CNTEN} = V_{IL}$  advances Internal Address from 'An' to 'An +1'. The transition shown indicates the time required for the counter to advance. The 'An +1' Address is written to during this cycle.

Waveform of Interrupt Timing (2)



5652 drw 19

NOTES:

1.  $\overline{CE}_0 = V_{IL}$  and  $CE_1 = V_{IH}$
2. All timing is the same for Left and Right ports.
3. Address is for internal register, not the external bus, i.e., address needs to be qualified by one of the Address counter control signals.

Truth Table III – Interrupt Flag (1)

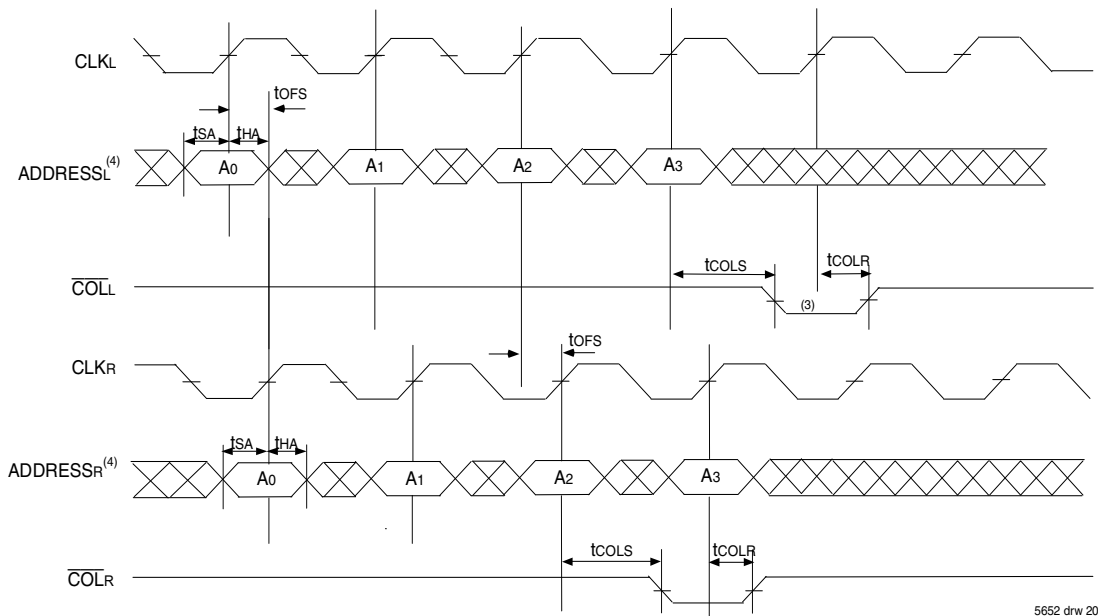
Left Port					Right Port					Function
CLKL	R/WL(2)	CEL(2)	A18L-A0L(3,4,5)	INTL	CLKR	R/WR(2)	CER(2)	A18R-A0R(3,4,5)	INTR	
↑	L	L	7FFFF	X	↑	X	X	X	L	Set Right $\overline{INTR}$ Flag
↑	X	X	X	X	↑	H	L	7FFFF	H	Reset Right $\overline{INTR}$ Flag
↑	X	X	X	L	↑	L	L	7FFFE	X	Set Left $\overline{INTL}$ Flag
↑	H	L	7FFFE	H	↑	X	X	X	X	Reset Left $\overline{INTL}$ Flag

5652 tbl 12

NOTES:

1.  $\overline{INTL}$  and  $\overline{INTR}$  must be initialized at power-up by Resetting the flags.
2.  $\overline{CE}_0 = V_{IL}$  and  $CE_1 = V_{IH}$ . R/W and CE are synchronous with respect to the clock and need valid set-up and hold times.
3. A18x is a NC for IDT70T3319, therefore Interrupt Addresses are 3FFFF and 3FFFE.
4. A18x and A17x are NC's for IDT70T3399, therefore Interrupt Addresses are 1FFFF and 1FFFE.
5. Address is for internal register, not the external bus, i.e., address needs to be qualified by one of the Address counter control signals.

## Waveform of Collision Timing (1,2) Both Ports Writing with Left Port Clock Leading



**NOTES:**

1.  $CE_0 = V_{IL}$ ,  $CE_1 = V_{IH}$ .
2. For reading port,  $\overline{OE}$  is a Don't care on the Collision Detection Logic. Please refer to Truth Table IV for specific cases.
3. Leading Port Output flag might output  $3t_{CYC2} + t_{COLS}$  after Address match.
4. Address is for internal register, not the external bus, i.e., address needs to be qualified by one of the Address counter control signals.

## Collision Detection Timing (3,4)

Cycle Time	t <sub>ofs</sub> (ns)	
	Region 1 (ns) <sup>(1)</sup>	Region 2 (ns) <sup>(2)</sup>
5ns	0 - 2.8	2.81 - 4.6
6ns	0 - 3.8	3.81 - 5.6
7.5ns	0 - 5.3	5.31 - 7.1

5652 tbl 13

**NOTES:**

1. Region 1  
Both ports show collision after 2nd cycle for Addresses 0, 2, 4 etc.
2. Region 2  
Leading port shows collision after 3rd cycle for addresses 0, 3, 6, etc. while trailing port shows collision after 2nd cycle for addresses 0, 2, 4 etc.
3. All the production units are tested to midpoint of each region.
4. These ranges are based on characterization of a typical device.

## Truth Table IV — Collision Detection Flag

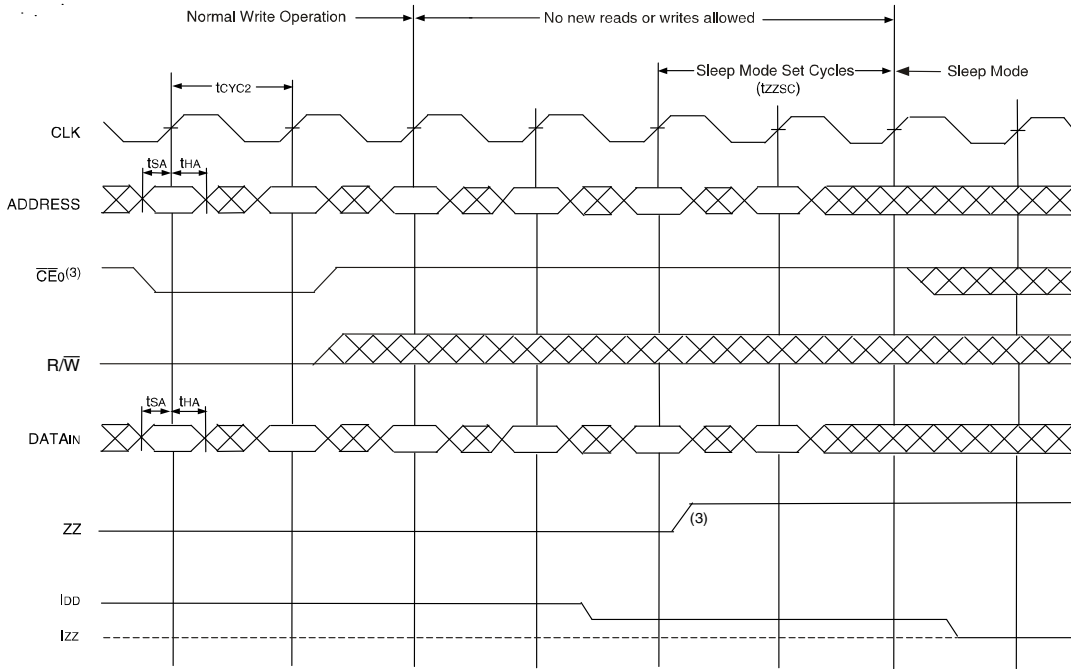
Left Port					Right Port					Function
CLKL	R $\overline{W}$ L <sup>(1)</sup>	CE <sub>L</sub> <sup>(1)</sup>	A <sub>18L</sub> -A <sub>0L</sub> <sup>(2)</sup>	$\overline{COLL}$	CLKR	R $\overline{W}$ R <sup>(1)</sup>	CE <sub>R</sub> <sup>(1)</sup>	A <sub>18R</sub> -A <sub>0R</sub> <sup>(2)</sup>	$\overline{COLR}$	
↑	H	L	MATCH	H	↑	H	L	MATCH	H	Both ports reading. Not a valid collision. No flag output on either port.
↑	H	L	MATCH	L	↑	L	L	MATCH	H	Left port reading, Right port writing. Valid collision, flag output on Left port.
↑	L	L	MATCH	H	↑	H	L	MATCH	L	Right port reading, Left port writing. Valid collision, flag output on Right port.
↑	L	L	MATCH	L	↑	L	L	MATCH	L	Both ports writing. Valid collision. Flag output on both ports.

**NOTES:**

1.  $CE_0 = V_{IL}$  and  $CE_1 = V_{IH}$ . R $\overline{W}$  and CE are synchronous with respect to the clock and need valid set-up and hold times.
2. Address is for internal register, not the external bus, i.e., address needs to be qualified by one of the Address counter control signals.

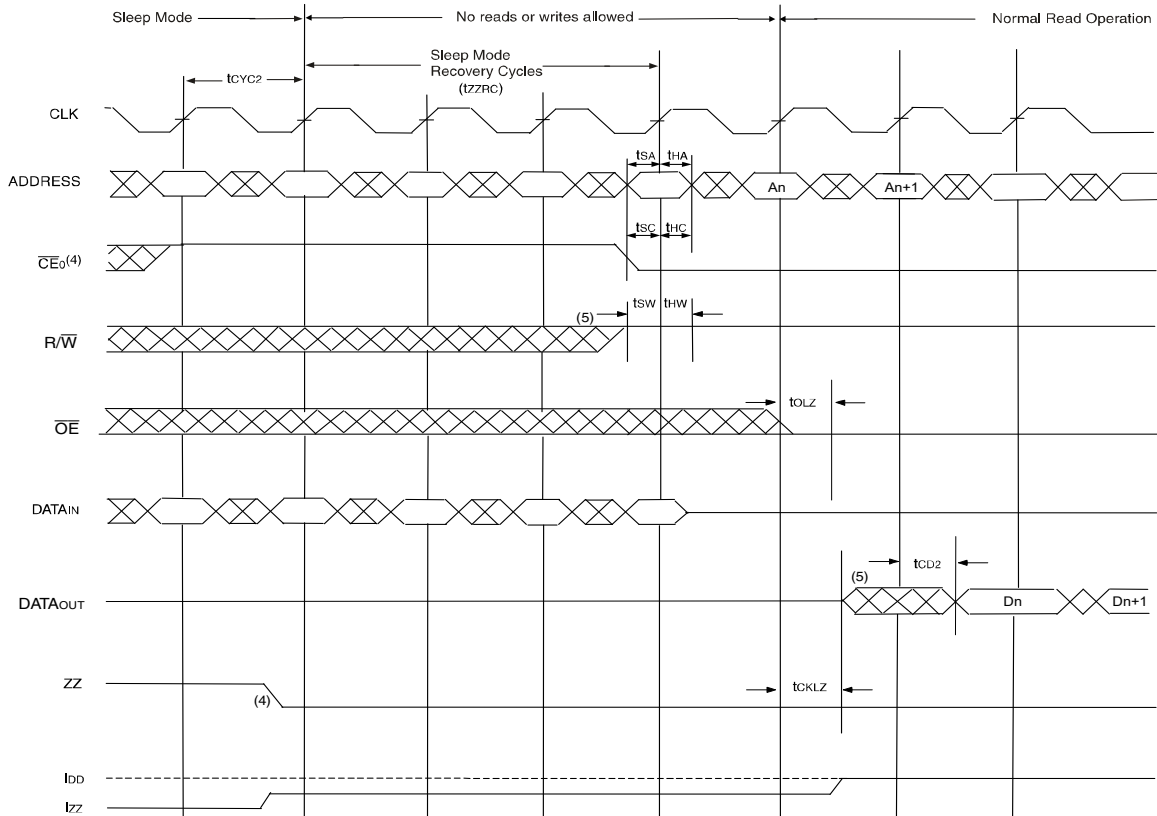
5652 tbl 14

### Timing Waveform - Entering Sleep Mode (1,2)



5652 drw 22

### Timing Waveform - Exiting Sleep Mode (1,2)



5652 drw 22a

**NOTES:**

1.  $CE1 = V_{IH}$ .
2. All timing is same for Left and Right ports.
3.  $\overline{CE0}$  has to be deactivated ( $\overline{CE0} = V_{IH}$ ) three cycles prior to asserting ZZ ( $ZZx = V_{IH}$ ) and held for two cycles after asserting ZZ ( $ZZx = V_{IH}$ ).
4.  $\overline{CE0}$  has to be deactivated ( $\overline{CE0} = V_{IH}$ ) one cycle prior to de-asserting ZZ ( $ZZx = V_{IL}$ ) and held for three cycles after de-asserting ZZ ( $ZZx = V_{IL}$ ).
5. The device must be in Read Mode ( $R/\overline{W}$  High) when exiting sleep mode. Outputs are active but data is not valid until the following cycle.

## Functional Description

The IDT70T3339/19/99 provides a true synchronous Dual-Port Static RAM interface. Registered inputs provide minimal set-up and hold times on address, data, and all critical control inputs. All internal registers are clocked on the rising edge of the clock signal, however, the self-timed internal write pulse width is independent of the cycle time.

An asynchronous output enable is provided to ease asynchronous bus interfacing. Counter enable inputs are also provided to stall the operation of the address counters for fast interleaved memory applications.

A HIGH on  $\overline{CE0}$  or a LOW on CE1 for one clock cycle will power down the internal circuitry to reduce static power consumption. Multiple chip enables allow easier banking of multiple IDT70T3339/19/99s for depth expansion configurations. Two cycles are required with  $\overline{CE0}$  LOW and CE1 HIGH to reactivate the outputs.

## Interrupts

If the user chooses the interrupt function, a memory location (mail box or message center) is assigned to each port. The left port interrupt flag ( $\overline{INTL}$ ) is asserted when the right port writes to memory location 7FFFE (HEX), where a write is defined as  $\overline{CER} = R/\overline{WR} = V_{IL}$  per the Truth Table. The left port clears the interrupt through access of address location 7FFFE when  $\overline{CEL} = V_{IL}$  and  $R/WL = V_{IH}$ . Likewise, the right port interrupt flag ( $\overline{INTR}$ ) is asserted when the left port writes to memory location 7FFFF (HEX) and to clear the interrupt flag ( $\overline{INTR}$ ), the right port must read the memory location 7FFFF (3FFFF or 3FFFE for IDT70T3319 and 1FFFF or 1FFFE for IDT70T3399). The message (18 bits) at 7FFFE or 7FFFF (3FFFF or 3FFFE for IDT70T3319 and 1FFFF or 1FFFE for IDT70T3399) is user-defined since it is an addressable SRAM location. If the interrupt function is not used, address locations 7FFFE and 7FFFF (3FFFF or 3FFFE for IDT70T3319 and 1FFFF or 1FFFE for IDT70T3399) are not used as mail boxes, but as part of the random access memory. Refer to Truth Table III for the interrupt operation.

## Collision Detection

Collision is defined as an overlap in access between the two ports resulting in the potential for either reading or writing incorrect data to a specific address. For the specific cases: (a) Both ports reading - no data is corrupted, lost, or incorrectly output, so no collision flag is output on either port. (b) One port writing, the other port reading - the end result of the write will still be valid. However, the reading port might capture data that is in a state of transition and hence the reading port's collision flag is output. (c) Both ports writing - there is a risk that the two ports will interfere with each other, and the data stored in memory will not be a valid write from either port (it may essentially be a random combination of the two). Therefore, the collision flag is output on both ports. Please refer to Truth Table IV for all of the above cases.

The alert flag ( $COL_x$ ) is asserted on the 2nd or 3rd rising clock edge of the affected port following the collision, and remains low for one cycle. Please refer to Collision Detection Timing table on page 20. During that next cycle, the internal arbitration is engaged in resetting the alert flag (this avoids a specific requirement on the part of the user to reset the alert flag). If two collisions occur on subsequent clock cycles, the second collision may not generate the appropriate alert flag. A third collision will generate the

alert flag as appropriate. In the event that a user initiates a burst access on both ports with the same starting address on both ports and one or both ports writing during each access (i.e., imposes a long string of collisions on contiguous clock cycles), the alert flag will be asserted and cleared every other cycle. Please refer to the Collision Detection Timing waveform on page 20.

Collision detection on the IDT70T3339/19/99 represents a significant advance in functionality over current sync multi-ports, which have no such capability. In addition to this functionality the IDT70T3339/19/99 sustains the key features of bandwidth and flexibility. The collision detection function is very useful in the case of bursting data, or a string of accesses made to sequential addresses, in that it indicates a problem within the burst, giving the user the option of either repeating the burst or continuing to watch the alert flag to see whether the number of collisions increases above an acceptable threshold value. Offering this function on chip also allows users to reduce their need for arbitration circuits, typically done in CPLD's or FPGA's. This reduces board space and design complexity, and gives the user more flexibility in developing a solution.

## Sleep Mode

The IDT70T3339/19/99 is equipped with an optional sleep or low power mode on both ports. The sleep mode pin on both ports is asynchronous and active high. During normal operation, the ZZ pin is pulled high. When ZZ is pulled high, the port will enter sleep mode where it will meet lowest possible power conditions. The sleep mode timing diagram shows the modes of operation: Normal Operation, No Read/Write Allowed and Sleep Mode.

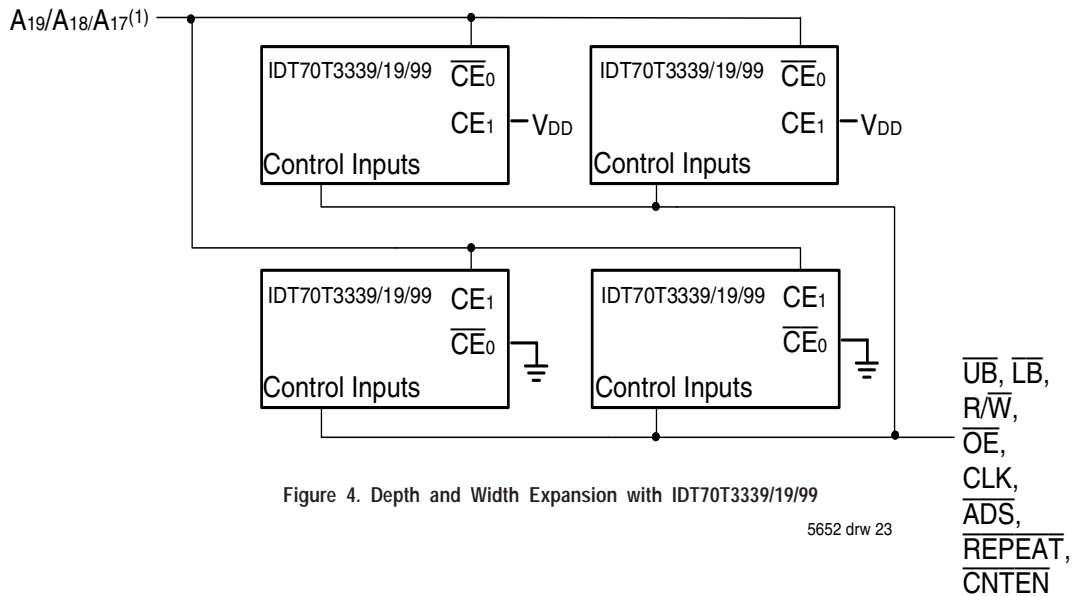
For normal operation all inputs must meet setup and hold times prior to sleep and after recovering from sleep. Clocks must also meet cycle high and low times during these periods. Three cycles prior to asserting ZZ ( $ZZx = V_{IH}$ ) and three cycles after de-asserting ZZ ( $ZZx = V_{IL}$ ), the device must be disabled via the chip enable pins. If a write or read operation occurs during these periods, the memory array may be corrupted. Validity of data out from the RAM cannot be guaranteed immediately after ZZ is asserted (prior to being in sleep). When exiting sleep mode, the device must be in Read mode ( $R/\overline{W}x = V_{IH}$ ) when chip enable is asserted, and the chip enable must be valid for one full cycle before a read will result in the output of valid data.

During sleep mode the RAM automatically deselects itself. The RAM disconnects its internal clock buffer. The external clock may continue to run without impacting the RAM's sleep current ( $I_{ZZ}$ ). All outputs will remain in high-Z state while in sleep mode. All inputs are allowed to toggle. The RAM will not be selected and will not perform any reads or writes.

### Depth and Width Expansion

The IDT70T3339/19/99 features dual chip enables (refer to Truth Table I) in order to facilitate rapid and simple depth expansion with no requirements for external logic. Figure 4 illustrates how to control the various chip enables in order to expand two devices in depth.

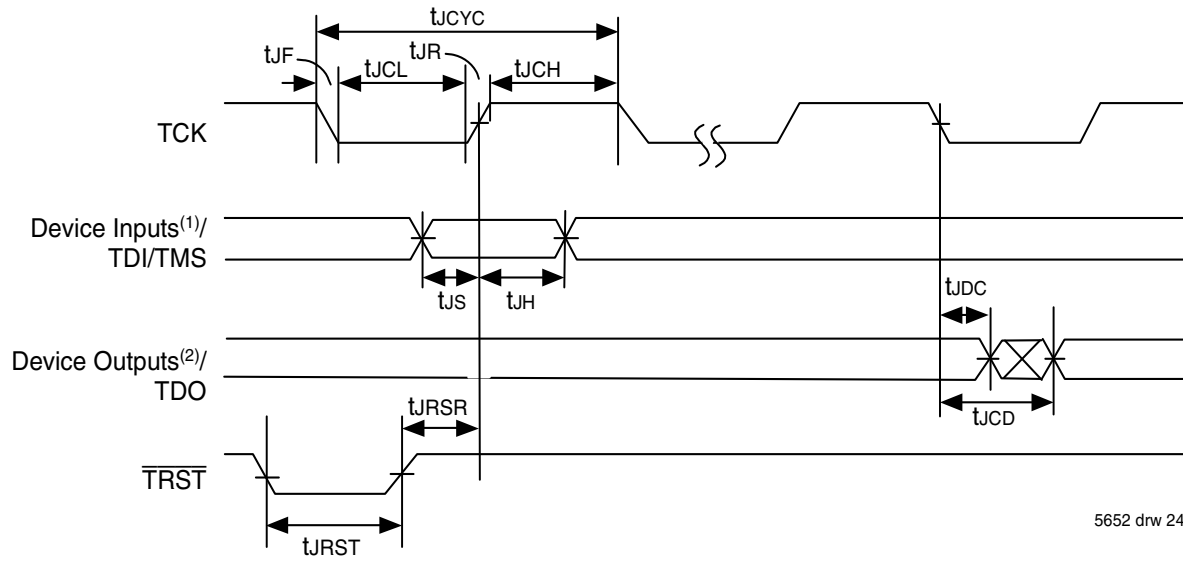
The IDT70T3339/19/99 can also be used in applications requiring expanded width, as indicated in Figure 4. Through combining the control signals, the devices can be grouped as necessary to accommodate applications needing 36-bits or wider.



**NOTE:**

1. A19 is for IDT70T3339, A18 is for IDT70T3319, A17 is for IDT70T3399.

## JTAG Timing Specifications



5652 drw 24

**NOTES:**

1. Device inputs = All device inputs except TDI, TMS, and TRST.
2. Device outputs = All device outputs except TDO.

## JTAG AC Electrical Characteristics (1,2,3,4)

Symbol	Parameter	70T3339/19/99		
		Min.	Max.	Units
$t_{JCYC}$	JTAG Clock Input Period	100	—	ns
$t_{JCH}$	JTAG Clock HIGH	40	—	ns
$t_{JCL}$	JTAG Clock Low	40	—	ns
$t_{JR}$	JTAG Clock Rise Time	—	3 <sup>(1)</sup>	ns
$t_{JF}$	JTAG Clock Fall Time	—	3 <sup>(1)</sup>	ns
$t_{JRST}$	JTAG Reset	50	—	ns
$t_{JRSR}$	JTAG Reset Recovery	50	—	ns
$t_{JCD}$	JTAG Data Output	—	25	ns
$t_{JDC}$	JTAG Data Output Hold	0	—	ns
$t_{JS}$	JTAG Setup	15	—	ns
$t_{JH}$	JTAG Hold	15	—	ns

5652 tbl 15

**NOTES:**

1. Guaranteed by design.
2. 30pF loading on external output signals.
3. Refer to AC Electrical Test Conditions stated earlier in this document.
4. JTAG operations occur at one speed (10MHz). The base device may run at any speed specified in this datasheet.



## Identification Register Definitions

Instruction Field	Value	Description
Revision Number (31:28)	0x0	Reserved for version number
IDT Device ID (27:12)	0x333 <sup>(1)</sup>	Defines IDT part number
IDT JEDEC ID (11:1)	0x33	Allows unique identification of device vendor as IDT
ID Register Indicator Bit (Bit 0)	1	Indicates the presence of an ID register

5652 tbl 16

**NOTE:**

1. Device ID for IDT70T3319 is 0x334. Device ID for IDT70T3399 is 0x335.

## Scan Register Sizes

Register Name	Bit Size
Instruction (IR)	4
Bypass (BYR)	1
Identification (IDR)	32
Boundary Scan (BSR)	Note (3)

5652 tbl 17

## System Interface Parameters

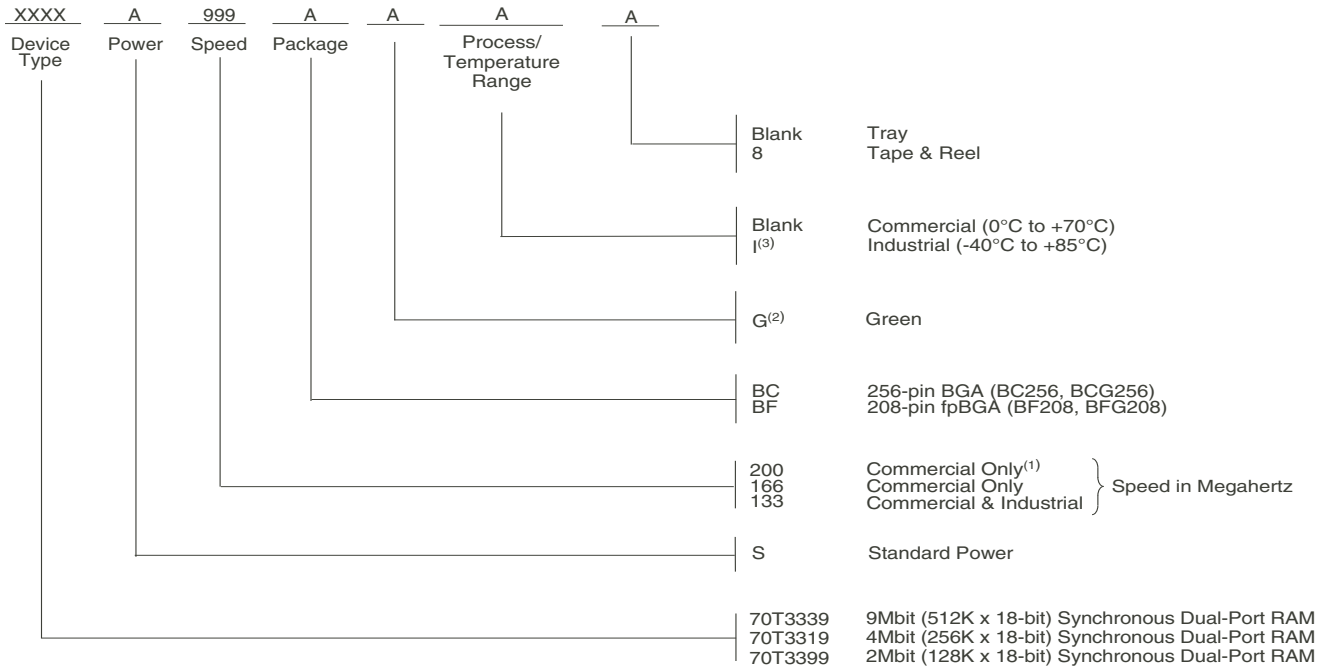
Instruction	Code	Description
EXTEST	0000	Forces contents of the boundary scan cells onto the device outputs <sup>(1)</sup> . Places the boundary scan register (BSR) between TDI and TDO.
BYPASS	1111	Places the bypass register (BYR) between TDI and TDO.
IDCODE	0010	Loads the ID register (IDR) with the vendor ID code and places the register between TDI and TDO.
HIGHZ	0100	Places the bypass register (BYR) between TDI and TDO. Forces all device output drivers to a High-Z state except $\overline{\text{COLx}}$ & $\overline{\text{INTx}}$ outputs.
CLAMP	0011	Uses BYR. Forces contents of the boundary scan cells onto the device outputs. Places the bypass register (BYR) between TDI and TDO.
SAMPLE/PRELOAD	0001	Places the boundary scan register (BSR) between TDI and TDO. SAMPLE allows data from device inputs <sup>(2)</sup> to be captured in the boundary scan cells and shifted serially through TDO. PRELOAD allows data to be input serially into the boundary scan cells via the TDI.
RESERVED	0101, 0111, 1000, 1001, 1010, 1011, 1100	Several combinations are reserved. Do not use codes other than those identified above.
PRIVATE	0110, 1110, 1101	For internal use only.

5652 tbl 18

**NOTES:**

1. Device outputs = All device outputs except TDO.
2. Device inputs = All device inputs except TDI, TMS, and  $\overline{\text{TRST}}$ .
3. The Boundary Scan Descriptive Language (BSDL) file for this device is available on the IDT website ([www.idt.com](http://www.idt.com)), or by contacting your local IDT sales representative.

### Ordering Information



**NOTES:**

- 200Mhz is not available in the BF-208 package.
- Green parts available. For specific speeds, packages and powers contact your local sales office.
- Contact your local sales office for industrial temp range for other speeds, packages and powers.  
*Note that information regarding recently obsoleted parts are included in this datasheet for customer convenience.*

5652 drw 25

### Orderable Part Information

Speed (MHz)	Orderable Part ID	Pkg. Code	Pkg. Type	Temp. Grade
133	70T3319S133BC	BC256	CABGA	C
	70T3319S133BC8	BC256	CABGA	C
	70T3319S133BF	BF208	CABGA	C
	70T3319S133BF8	BF208	CABGA	C
	70T3319S133BFGI	BFG208	CABGA	I
	70T3319S133BFGI8	BFG208	CABGA	I
	70T3319S133BFI	BF208	CABGA	I
	70T3319S133BFI8	BF208	CABGA	I
166	70T3319S166BC	BC256	CABGA	C
	70T3319S166BC8	BC256	CABGA	C
	70T3319S166BF	BF208	CABGA	C
	70T3319S166BF8	BF208	CABGA	C
	70T3319S166BFG	BFG208	CABGA	C
	70T3319S166BFG8	BFG208	CABGA	C
200	70T3319S200BC	BC256	CABGA	C
	70T3319S200BC8	BC256	CABGA	C

Speed (MHz)	Orderable Part ID	Pkg. Code	Pkg. Type	Temp. Grade
133	70T3339S133BC	BC256	CABGA	C
	70T3339S133BC8	BC256	CABGA	C
	70T3339S133BCI	BC256	CABGA	I
	70T3339S133BCI8	BC256	CABGA	I
	70T3339S133BF	BF208	CABGA	C
	70T3339S133BF8	BF208	CABGA	C
	70T3339S133BFGI	BFG208	CABGA	I
	70T3339S133BFI	BF208	CABGA	I
	70T3339S133BFI8	BF208	CABGA	I
	70T3339S133BCG	BCG256	CABGA	C
166	70T3339S166BC	BC256	CABGA	C
	70T3339S166BC8	BC256	CABGA	C
	70T3339S166BF	BF208	CABGA	C
200	70T3339S200BC	BC256	CABGA	C
	70T3339S200BC8	BC256	CABGA	C
	70T3339S200BCG	BCG256	CABGA	C

## Orderable Part Information (con't)

Speed (MHz)	Orderable Part ID	Pkg. Code	Pkg. Type	Temp. Grade
133	70T3399S133BC	BC256	CABGA	C
	70T3399S133BC8	BC256	CABGA	C
	70T3399S133BFI	BF208	CABGA	I
	70T3399S133BF8	BF208	CABGA	I
166	70T3399S166BC	BC256	CABGA	C
	70T3399S166BC8	BC256	CABGA	C
200	70T3399S200BC	BC256	CABGA	C
	70T3399S200BC8	BC256	CABGA	C

## Datasheet Document History

- 01/20/03: Initial Datasheet
- 04/25/03: Page 11 Added Capacitance Derating drawing  
Page 12 Changed  $t_{INR}$  and  $t_{INR}$  specs in AC Electrical Characteristics table
- 11/11/03: Page 10 Updated power numbers in DC Electrical Characteristics table  
Page 12 Added  $t_{OFS}$  symbol and parameter to AC Electrical Characteristics table  
Page 21 Updated Collision Timing waveform  
Page 22 Added Collision Detection Timing table and footnotes  
Page 26 Updated HIGHZ function in System Interface Parameters table  
Page 27 Added IDT Clock Solution table
- 04/08/04: Page 22 & 23 Clarified Sleep Mode Text and Waveforms  
Page 1 & 28 Removed Preliminary status  
Page 6 Added another sentence to footnote 4 to recommend that boundary scan not be operated during sleep mode
- 02/07/06: Page 1 Added green availability to features  
Page 7 Changed footnote 2 for Truth Table I from  $\overline{ADS}, \overline{CNTEN}, \overline{REPEAT} = V_{IH}$  to  $\overline{ADS}, \overline{CNTEN}, \overline{REPEAT} = X$   
Page 27 Added green indicator to ordering information
- 07/28/08: Page 10 Corrected a typo in the DC Chars table footnotes
- 01/19/09: Page 28 Removed "IDT" from orderable part number
- 04/20/10: Removed the DD 144-pin TQFP (DD-144) Thin Quad Flatpack per PDN: F-08-01
- 06/10/15: Page 3 & 4 Removed the date from all of the pin configurations BC256 & BF208  
Page 26 Added T&R indicator and industrial temp footnote to Ordering Information  
Product Discontinuation Notice - PDN# SP-17-02
- 02/08/18: Last time buy expires June 15, 2018
- 08/19/19: Page 2 & 3 Updated package codes BC-256 to BC256, BCG256 and BF-208 to BF208, BFG208  
Page 1, 9, 11 & 26 Removed 166MHz Industrial temp offering  
Page 26 Removed IDT Clock Solution table  
Page 26 & 27 Added Orderable Part Information tables
- 11/06/19: Page 26 & 27 Corrected "ns" to "MHz" in the header of the Orderable Part Information tables

## IMPORTANT NOTICE AND DISCLAIMER

RENESAS ELECTRONICS CORPORATION AND ITS SUBSIDIARIES (“RENESAS”) PROVIDES TECHNICAL SPECIFICATIONS AND RELIABILITY DATA (INCLUDING DATASHEETS), DESIGN RESOURCES (INCLUDING REFERENCE DESIGNS), APPLICATION OR OTHER DESIGN ADVICE, WEB TOOLS, SAFETY INFORMATION, AND OTHER RESOURCES “AS IS” AND WITH ALL FAULTS, AND DISCLAIMS ALL WARRANTIES, EXPRESS OR IMPLIED, INCLUDING, WITHOUT LIMITATION, ANY IMPLIED WARRANTIES OF MERCHANTABILITY, FITNESS FOR A PARTICULAR PURPOSE, OR NON-INFRINGEMENT OF THIRD PARTY INTELLECTUAL PROPERTY RIGHTS.

These resources are intended for developers skilled in the art designing with Renesas products. You are solely responsible for (1) selecting the appropriate products for your application, (2) designing, validating, and testing your application, and (3) ensuring your application meets applicable standards, and any other safety, security, or other requirements. These resources are subject to change without notice. Renesas grants you permission to use these resources only for development of an application that uses Renesas products. Other reproduction or use of these resources is strictly prohibited. No license is granted to any other Renesas intellectual property or to any third party intellectual property. Renesas disclaims responsibility for, and you will fully indemnify Renesas and its representatives against, any claims, damages, costs, losses, or liabilities arising out of your use of these resources. Renesas' products are provided only subject to Renesas' Terms and Conditions of Sale or other applicable terms agreed to in writing. No use of any Renesas resources expands or otherwise alters any applicable warranties or warranty disclaimers for these products.

(Rev.1.0 Mar 2020)

### Corporate Headquarters

TOYOSU FORESIA, 3-2-24 Toyosu,  
Koto-ku, Tokyo 135-0061, Japan  
[www.renesas.com](http://www.renesas.com)

### Contact Information

For further information on a product, technology, the most up-to-date version of a document, or your nearest sales office, please visit:  
[www.renesas.com/contact/](http://www.renesas.com/contact/)

### Trademarks

Renesas and the Renesas logo are trademarks of Renesas Electronics Corporation. All trademarks and registered trademarks are the property of their respective owners.