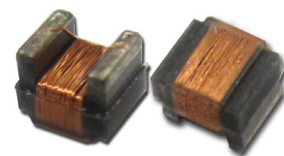


# FERRITE WIRE WOUND INDUCTORS

AISC-0402F



RoHS/RoHS II Compliant



1.1 x 0.6 x 0.6mm

## FEATURES:

- Higher inductance values than other 0402 inductors
- Ferrite construction for high current rating
- Inductance values: 18nH – 200nH; 5% tolerance available

## APPLICATIONS:

- Camcorders, LED TVs and other electronic devices

## STANDARD SPECIFICATIONS:

Operating Temperature: -40°C to +85°C

Storage Temperature: -10°C to +40°C, 70% RH max. in tape and reel

Part Number AISC-0402F- Inductance Code	Inductance	Tolerance	L Test Freq.	Max. DC Resistance	Max. Rated Current	Min. Self-resonant Frequency
Units	nH	-	MHz	Ω	mA	MHz
Symbol	L	-	Freq.	DCR	I <sub>r</sub>	S.R.F
AISC-0402F-20N	20	J, K, M	7.9	0.050	1600	2600
AISC-0402F-33N	33	J, K, M	7.9	0.060	1400	2300
AISC-0402F-56N	56	J, K, M	7.9	0.095	1000	1900
AISC-0402F-72N	72	J, K, M	7.9	0.100	1000	1650
AISC-0402F-85N	85	J, K, M	7.9	0.130	970	1600
AISC-0402F-96N	96	J	100	0.160	730	1100
AISC-0402F-R10	100	J, K, M	7.9	0.160	900	1400
AISC-0402F-R14	140	J, K, M	7.9	0.260	630	1220
AISC-0402F-R18	180	J, K, M	7.9	0.280	560	1150
AISC-0402F-R20	200	J, K, M	7.9	0.440	400	1000
AISC-0402F-R22	220	J, K, M	7.9	0.530	380	1150
AISC-0402F-R27	270	J, K, M	7.9	0.550	360	860
AISC-0402F-R33	330	J, K, M	7.9	0.560	350	820
AISC-0402F-R39	390	J, K, M	7.9	0.750	300	760
AISC-0402F-R47	470	J, K, M	7.9	0.730	310	650
AISC-0402F-R56	560	J, K, M	7.9	0.920	200	600
AISC-0402F-2R2	2200	K, M	1.0	1.800	170	100

## Test Equipment

Inductance (L): Agilent 4287A+Agilent 16197A or equivalent, -13dBm or 10mA

DC Resistance (DCR): HIOKI 3540 or equivalent

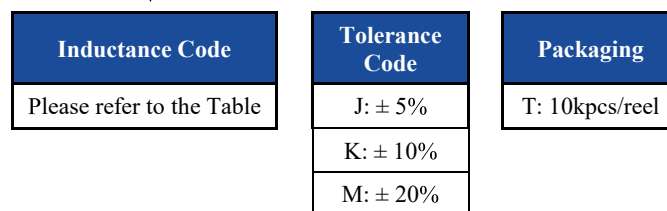
Q Factor (Q): Agilent4287A+Agilent16197A or equivalent, -13dBm or 10mA

Self-Resonant Frequency (SRF): Agilent4991B+Agilent16197A and HP 8753E or equivalent, -20dBm or 50mV

Rated Current (I<sub>r</sub>): I<sub>r</sub> is direct electric current as chip surface temperature rose just 40°C against chip initial surface temperature

## PART NUMBER IDENTIFICATION

AISC-0402F- [ ] [ ] - [ ]

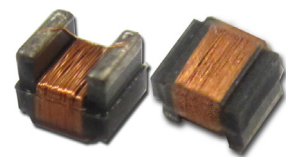


# FERRITE WIRE WOUND INDUCTORS

AISC-0402F

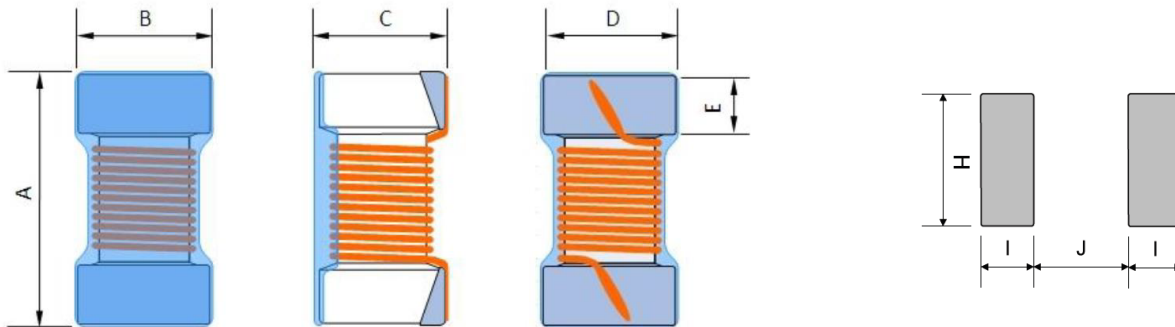


RoHS/RoHS II Compliant



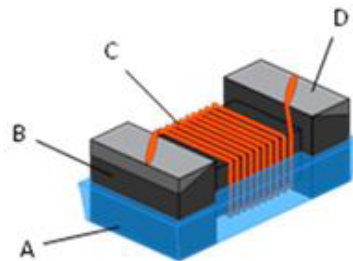
1.1 x 0.6 x 0.6mm

## OUTLINE DIMENSIONS:



A	B	C	D	E	H REF.	I REF.	J REF.
1.1±0.1	0.6±0.1	0.55±0.1	0.50±0.1	0.20±0.1	0.65	0.35	0.50

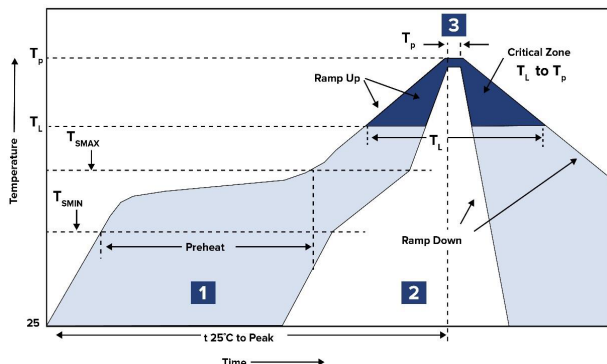
## Materials



Dimension: mm

No.	Components	Material
A	Coating	Ultraviolet epoxy resin
B	Core	Ferrite
C	Wire	Polyurethane system enameled copper wire
D	Electrodes	Ag-Pd with Ni and Sn plating

## REFLOW PROFILE:



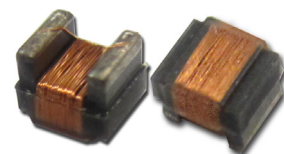
Zone	Description	Temperature	Times
1	Preheat	$T_{SMIN} \sim T_{SMAX}$ 150°C ~ 200°C	60 ~ 120 sec.
2	Reflow	$T_L$ 217°C	60 ~ 90 sec.
3	Peak heat	$T_P$ 260°C±5°C	10 sec. MAX

# FERRITE WIRE WOUND INDUCTORS

AISC-0402F



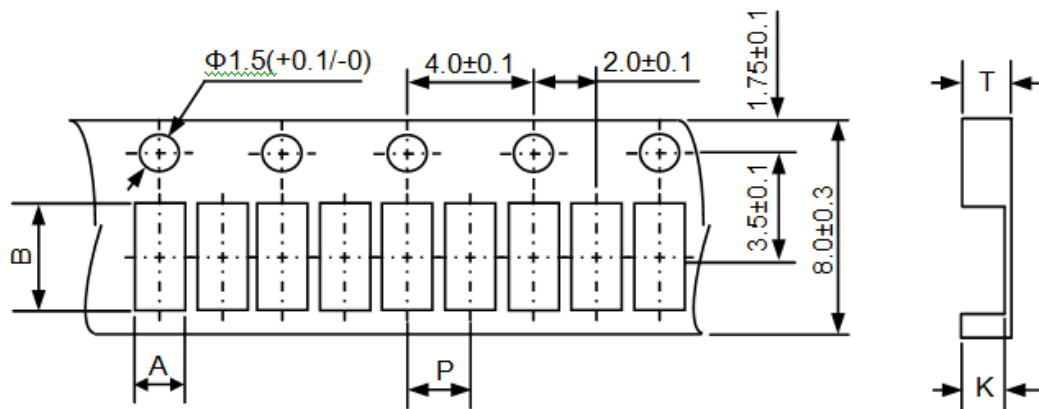
RoHS/RoHS II Compliant



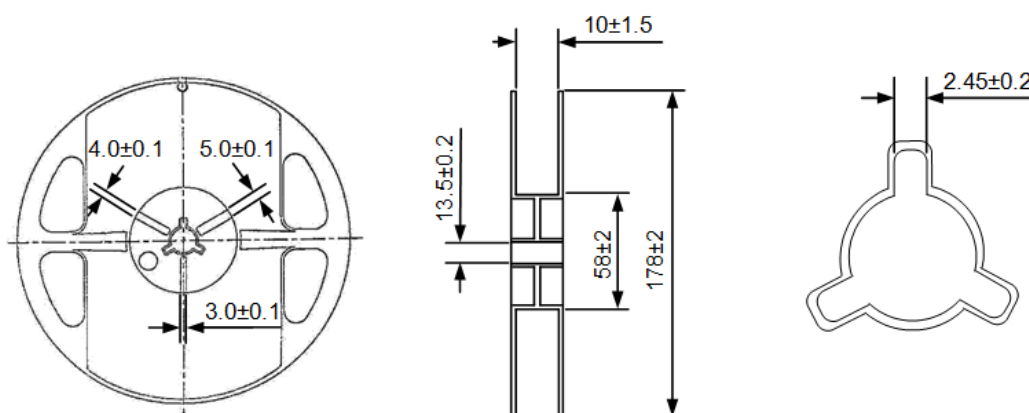
1.1 x 0.6 x 0.6mm

## TAPE & REEL:

T= tape and reel (10,000pcs/reel)



A	B	P	K	T
0.65±0.01	1.20±0.1	2.0±0.1	0.65±0.1	0.71±0.1



Dimension: mm

**ATTENTION:** Abracon LLC's products are COTS – Commercial-Off-The-Shelf products; suitable for Commercial, Industrial and, where designated, Automotive Applications. Abracon's products are not specifically designed for Military, Aviation, Aerospace, Life-dependent Medical applications or any application requiring high reliability where component failure could result in loss of life and/or property. For applications requiring high reliability and/or presenting an extreme operating environment, written consent and authorization from Abracon LLC is required. Please contact Abracon LLC for more information.



5101 Hidden Creek Ln Spicewood TX 78669  
 Phone: 512-371-6159 | Fax: 512-351-8858  
 For terms and conditions of sales, please visit:  
[www.abracon.com](http://www.abracon.com)

REVISED: 1-21-21

ABRACON IS  
 ISO9001-2015  
 CERTIFIED