

1.8V-3.3V Low-Power Precision CMOS Oscillators

Features

- Frequency Range: 1 MHz to 150 MHz
- Exceptional Stability over Temperature
 - ± 10 ppm, ± 20 ppm, ± 25 ppm, ± 50 ppm
- Operating Voltage
 - 1.7 to 3.6V
- Operating Temperature Range
 - Ext. Industrial -40°C to 105°C
 - Industrial -40°C to 85°C
 - Commercial -20°C to 70°C
- Low Operating and Standby Current
 - 6 mA Operating (1 MHz)
 - 15 μA Standby (Max.)
- Ultra Miniature Footprint
 - 2.5 mm x 2.0 mm x 0.85 mm
 - 3.2 mm x 2.5 mm x 0.85 mm
 - 5.0 mm x 3.2 mm x 0.85 mm
 - 7.0 mm x 5.0 mm x 0.85 mm
- MIL-STD 883 Shock and Vibration Resistant
- Pb Free, RoHS, Reach SVHC Compliant
- AEC-Q100 Reliability Qualified

Applications

- Mobile Applications
- Consumer Electronics
- Portable Electronics
- DVR, CCTV, Surveillance Cameras
- Low Profile Applications
- Industrial Applications

Benefits

- Pin for Pin “Drop-In” Replacement for Industry Standard Oscillators
- Semiconductor Level Reliability, Significantly Higher than Quartz
- Short Mass Production Lead Times
- Longer Battery Life/Reduced Power Consumption
- Compact Plastic Package
- Cost Effective

General Description

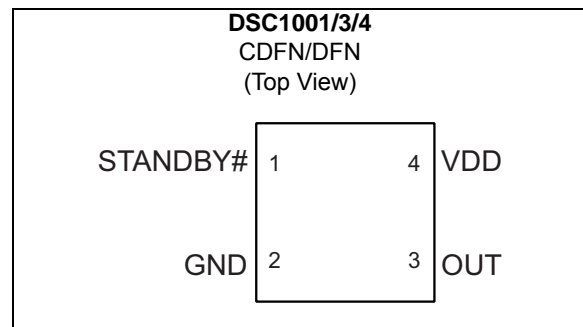
The DSC1001/3/4 is a silicon MEMS based CMOS family of oscillators that offers excellent jitter and stability performance over a wide range of supply voltages and temperatures. The device operates from 1 MHz to 150 MHz with supply voltages between 1.8 to 3.3 volts and temperature ranges up to -40°C to 105°C .

The DSC1001/3/4 incorporate an all silicon resonator that is extremely robust and nearly immune to stress related fractures, common to crystal based oscillators. Without sacrificing the performance and stability required of today’s systems, a crystal-less design allows for a higher level of reliability, making the DSC1001/3/4 ideal for rugged, industrial, and portable applications where stress, shock, and vibration can damage quartz crystal based systems.

Available in industry standard packages, the DSC1001/3/4 can be “dropped-in” to the same PCB footprint as standard crystal oscillators.

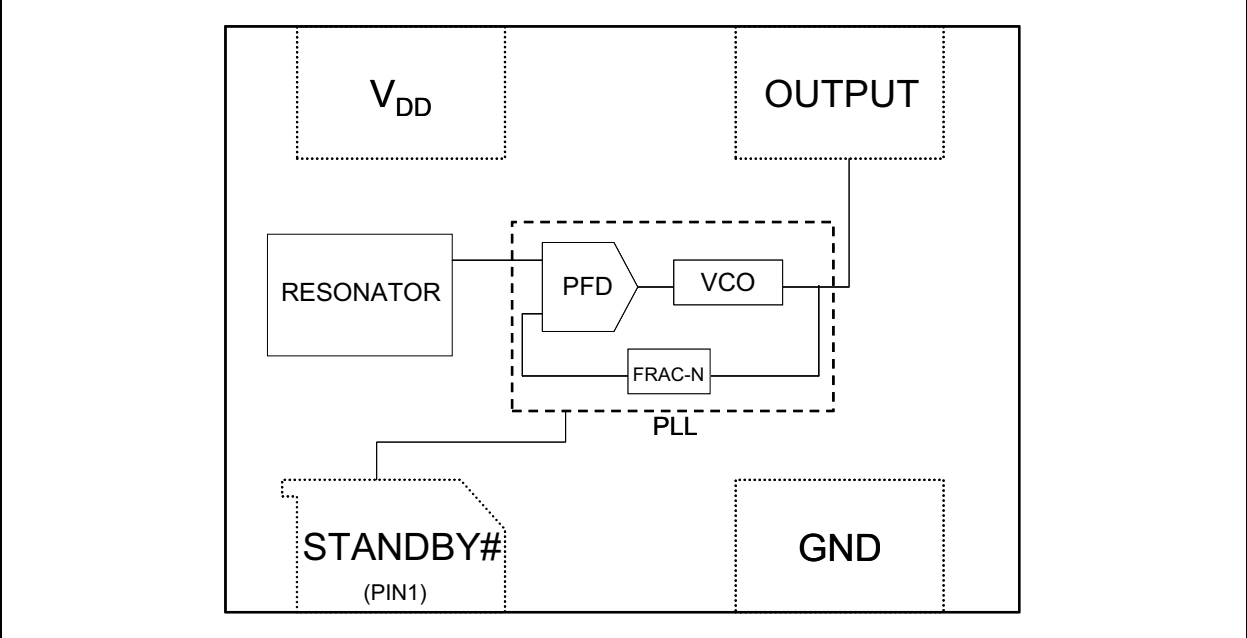
The DSC1003 and DSC1004 have the same functionality and performance as the DSC1001, but feature higher output drives of 25 pF and 40 pF, respectively.

Package Types



DSC1001/3/4

Block Diagram



1.0 ELECTRICAL CHARACTERISTICS

Absolute Maximum Ratings †

Input Voltage (V_{IN}) -0.3V to $V_{DD} + 0.3V$
 ESD Protection 4 kV HBM, ±200V MM, 1.5 kV CDM

Recommended Operating Conditions

Supply Voltage (V_{DD}) +1.7V to +3.6V
 Output Load (Z_L) $R > 10\text{ k}\Omega$, $C \leq 15\text{ pF}$

† **Notice:** Stresses above those listed under “Absolute Maximum Ratings” may cause permanent damage to the device. This is a stress rating only and functional operation of the device at those or any other conditions above those indicated in the operational sections of this specification is not intended. Exposure to maximum rating conditions for extended periods may affect device reliability.

TABLE 1-1: DC CHARACTERISTICS

Electrical Characteristics: $V_{DD} = 1.8$ to $3.3V$; $T_A = +85^\circ C$ unless otherwise specified.

| Parameters | Sym. | Min. | Typ. | Max. | Units | Conditions |
|--|------------|----------------------|------|----------------------|-------|--|
| Frequency | F_0 | 1 | — | 150 | MHz | Single Frequency |
| Frequency Tolerance | Δf | — | — | ±10 | ppm | Includes frequency variations due to initial tolerance, temperature and power supply voltage |
| | | — | — | ±20 | | |
| | | — | — | ±25 | | |
| | | — | — | ±50 | | |
| Aging | Δf | — | — | ±5 | ppm | 1 year @ +25°C |
| Supply Current, Standby | I_{DD} | — | — | 15 | µA | $T = +25^\circ C$ |
| Output Startup Time (Note 1) | t_{SU} | — | 1.0 | 1.3 | ms | $T = +25^\circ C$ |
| Output Disable Time | t_{DA} | — | 20 | 100 | ns | — |
| Output Duty Cycle | SYM | 45 | — | 55 | % | — |
| Input Logic Level High | V_{IH} | $0.75 \times V_{DD}$ | — | — | V | — |
| Input Logic Level Low | V_{IL} | — | — | $0.25 \times V_{DD}$ | V | — |
| $V_{DD} = 1.8V$ | | | | | | |
| Supply Current, No Load | I_{DD} | — | 6.0 | 6.3 | mA | 1 MHz |
| | | — | 6.5 | 7.1 | | 27 MHz |
| | | — | 7.2 | 8.5 | | 70 MHz |
| | | — | 8.3 | 11.9 | | 150 MHz |
| $C_L = 0\text{ pF}$, $R_L = \infty$, $T = +25^\circ C$ | | | | | | |
| Output Logic Level High | V_{OH} | $0.8 \times V_{DD}$ | — | — | V | -6 mA, DSC1004, $C_L = 40\text{ pF}$ |
| | | $0.8 \times V_{DD}$ | — | — | | -6 mA, DSC1003, $C_L = 25\text{ pF}$ |
| | | $0.8 \times V_{DD}$ | — | — | | -4 mA, DSC1001, $C_L = 15\text{ pF}$ |
| Output Logic Level Low | V_{OL} | — | — | $0.2 \times V_{DD}$ | V | 6 mA, DSC1004, $C_L = 40\text{ pF}$ |
| | | — | — | $0.2 \times V_{DD}$ | | 6 mA, DSC1003, $C_L = 25\text{ pF}$ |
| | | — | — | $0.2 \times V_{DD}$ | | 4 mA, DSC1001, $C_L = 15\text{ pF}$ |

Note 1: t_{SU} is time to stable output frequency after V_{DD} is applied. t_{SU} and t_{EN} (after EN is asserted) are identical values.

2: Measured over 50k clock cycles.

DSC1001/3/4

TABLE 1-1: DC CHARACTERISTICS (CONTINUED)

Electrical Characteristics: $V_{DD} = 1.8$ to $3.3V$; $T_A = +85^\circ C$ unless otherwise specified.

| Parameters | Sym. | Min. | Typ. | Max. | Units | Conditions |
|-----------------------------------|----------|---------------------|------|---------------------|---------------|-------------------------------|
| Output Transition Rise Time | t_R | — | 1.4 | 3.0 | ns | DSC1001, $C_L = 15$ pF |
| | | — | 1.5 | 3.0 | | DSC1003, $C_L = 25$ pF |
| | | — | 1.8 | 3.0 | | DSC1004, $C_2 = 40$ pF |
| Output Transition Fall Time | t_F | — | 1.0 | 3.0 | ns | DSC1001, $C_L = 15$ pF |
| | | — | 1.1 | 3.0 | | DSC1003, $C_L = 25$ pF |
| | | — | 1.2 | 3.0 | | DSC1004, $C_2 = 40$ pF |
| Jitter, Max. Cycle-to-Cycle | J_{CC} | — | 60 | — | ps | $f = 100$ MHz (Note 2) |
| Period Jitter | J_P | — | 10 | 15 | μs_{RMS} | $f = 100$ MHz (Note 2) |
| $V_{DD} = 2.5V$ | | | | | | |
| Supply Current, No Load | I_{DD} | — | 6.0 | 6.4 | mA | 1 MHz |
| | | — | 6.7 | 7.5 | | 27 MHz |
| | | — | 7.7 | 9.4 | | 70 MHz |
| | | — | 9.6 | 13.9 | | 150 MHz |
| Output Logic Level High | V_{OH} | $0.9 \times V_{DD}$ | — | — | V | -6 mA, DSC1004, $C_L = 40$ pF |
| | | $0.8 \times V_{DD}$ | — | — | | -6 mA, DSC1003, $C_L = 25$ pF |
| | | $0.8 \times V_{DD}$ | — | — | | -4 mA, DSC1001, $C_L = 15$ pF |
| Output Logic Level Low | V_{OL} | — | — | $0.1 \times V_{DD}$ | V | 6 mA, DSC1004, $C_L = 40$ pF |
| | | — | — | $0.2 \times V_{DD}$ | | 6 mA, DSC1003, $C_L = 25$ pF |
| | | — | — | $0.2 \times V_{DD}$ | | 4 mA, DSC1001, $C_L = 15$ pF |
| Output Transition Rise Time | t_R | — | 1.0 | 2.0 | ns | DSC1001, $C_L = 15$ pF |
| | | — | 1.1 | 2.0 | | DSC1003, $C_L = 25$ pF |
| | | — | 1.2 | 2.0 | | DSC1004, $C_2 = 40$ pF |
| Output Transition Fall Time | t_F | — | 0.9 | 2.0 | ns | DSC1001, $C_L = 15$ pF |
| | | — | 1.0 | 2.0 | | DSC1003, $C_L = 25$ pF |
| | | — | 1.1 | 2.0 | | DSC1004, $C_2 = 40$ pF |

Note 1: t_{SU} is time to stable output frequency after V_{DD} is applied. t_{SU} and t_{EN} (after EN is asserted) are identical values.

2: Measured over 50k clock cycles.

TABLE 1-1: DC CHARACTERISTICS (CONTINUED)
Electrical Characteristics: $V_{DD} = 1.8$ to $3.3V$; $T_A = +85^\circ C$ unless otherwise specified.

| Parameters | Sym. | Min. | Typ. | Max. | Units | Conditions |
|--|----------|---------------------|------|---------------------|------------|-------------------------------|
| Jitter, Max. Cycle-to-Cycle | J_{CC} | — | 50 | — | ps | $f = 100$ MHz (Note 2) |
| Period Jitter | J_P | — | 5 | 10 | ps_{RMS} | $f = 100$ MHz (Note 2) |
| $V_{DD} = 3.3V$ | | | | | | |
| Supply Current, No Load | I_{DD} | — | 6.0 | 6.5 | mA | 1 MHz |
| | | — | 6.8 | 8.0 | | 27 MHz |
| | | — | 8.2 | 10.5 | | 70 MHz |
| | | — | 10.8 | 16.6 | | 150 MHz |
| $C_L = 0$ pF, $R_L = \infty$, $T = +25^\circ C$ | | | | | | |
| Output Logic Level High | V_{OH} | $0.9 \times V_{DD}$ | — | — | V | –8 mA, DSC1004, $C_L = 40$ pF |
| | | $0.9 \times V_{DD}$ | — | — | | –6 mA, DSC1003, $C_L = 25$ pF |
| | | $0.8 \times V_{DD}$ | — | — | | –4 mA, DSC1001, $C_L = 15$ pF |
| Output Logic Level Low | V_{OL} | — | — | $0.1 \times V_{DD}$ | V | 8 mA, DSC1004, $C_L = 40$ pF |
| | | — | — | $0.1 \times V_{DD}$ | | 6 mA, DSC1003, $C_L = 25$ pF |
| | | — | — | $0.2 \times V_{DD}$ | | 4 mA, DSC1001, $C_L = 15$ pF |
| Output Transition Rise Time | t_R | — | 1.0 | 2.0 | ns | DSC1001, $C_L = 15$ pF |
| | | — | 1.1 | 2.0 | | DSC1003, $C_L = 25$ pF |
| | | — | 1.2 | 2.0 | | DSC1004, $C_2 = 40$ pF |
| $T = +25^\circ C$, 20% to 80% | | | | | | |
| Output Transition Fall Time | t_F | — | 0.9 | 2.0 | ns | DSC1001, $C_L = 15$ pF |
| | | — | 1.0 | 2.0 | | DSC1003, $C_L = 25$ pF |
| | | — | 1.1 | 2.0 | | DSC1004, $C_2 = 40$ pF |
| $T = +25^\circ C$, 20% to 80% | | | | | | |
| Jitter, Max. Cycle-to-Cycle | J_{CC} | — | 50 | — | ps | $f = 100$ MHz (Note 2) |
| Period Jitter | J_P | — | 5 | 10 | ps_{RMS} | $f = 100$ MHz (Note 2) |

Note 1: t_{SU} is time to stable output frequency after V_{DD} is applied. t_{SU} and t_{EN} (after EN is asserted) are identical values.

2: Measured over 50k clock cycles.

DSC1001/3/4

TEMPERATURE SPECIFICATIONS (Note 1)

| Parameters | Sym. | Min. | Typ. | Max. | Units | Conditions |
|---------------------------------|----------------|------|------|------|-------|-------------------|
| Temperature Ranges | | | | | | |
| Operating Temperature Range (T) | T _A | -40 | — | +105 | °C | Ordering Option L |
| | | -40 | — | +85 | °C | Ordering Option I |
| | | -20 | — | +70 | °C | Ordering Option E |
| Junction Operating Temperature | T _J | — | — | +150 | °C | — |
| Storage Temperature Range | T _A | -55 | — | +150 | °C | — |
| Soldering Temperature Range | T _S | — | — | +260 | °C | 40 sec. max |

Note 1: The maximum allowable power dissipation is a function of ambient temperature, the maximum allowable junction temperature and the thermal resistance from junction to air (i.e., T_A, T_J, θ_{JA}). Exceeding the maximum allowable power dissipation will cause the device operating junction temperature to exceed the maximum +150°C rating. Sustained junction temperatures above +150°C can impact the device reliability.

2.0 PIN DESCRIPTIONS

The descriptions of the pins are listed in [Table 2-1](#) and [Table 2-2](#).

TABLE 2-1: CDFN PACKAGE PIN FUNCTION TABLE

| Pin Number | Symbol | Description |
|------------|----------|---|
| 1 | STANDBY# | Standby input (Section 4.1 “Standby Function”) |
| 2 | GND | Power supply ground |
| 3 | OUT | Oscillator output |
| 4 | VDD | Positive power supply |

TABLE 2-2: DFN PACKAGE PIN FUNCTION TABLE

| Pin Number | Symbol | Description |
|------------|----------|---|
| 1 | STANDBY# | Standby input (Section 4.1 “Standby Function”) |
| 2 | GND | Power supply ground |
| 3 | OUT | Oscillator output |
| 4 | VDD | Positive power supply |
| Center Pad | NC | Tie to GND or do not connect. |

DSC1001/3/4

3.0 NOMINAL PERFORMANCE CHARACTERISTICS

Note: The graphs and tables provided following this note are a statistical summary based on a limited number of samples and are provided for informational purposes only. The performance characteristics listed herein are not tested or guaranteed. In some graphs or tables, the data presented may be outside the specified operating range (e.g., outside specified power supply range) and therefore outside the warranted range.

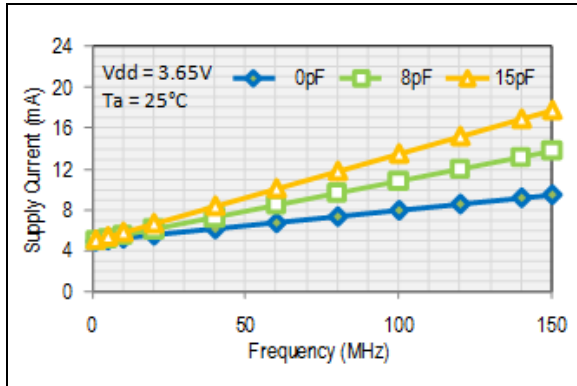


FIGURE 3-1: Supply Current.

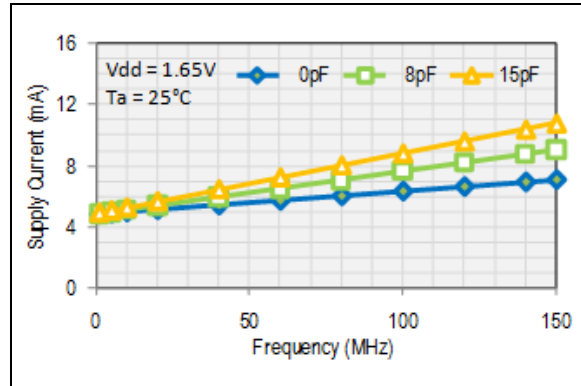


FIGURE 3-4: Supply Current.

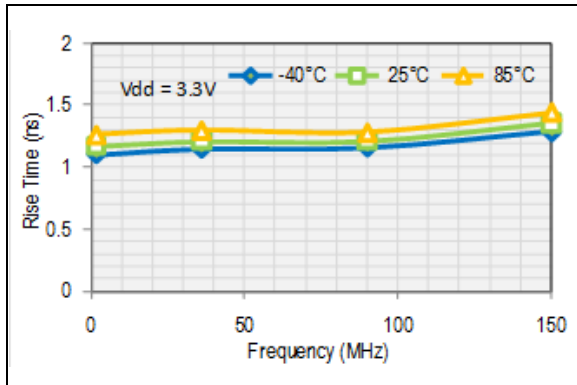


FIGURE 3-2: Rise Time.

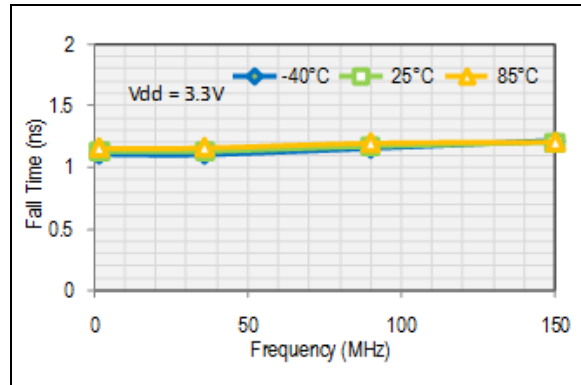


FIGURE 3-5: Fall Time.

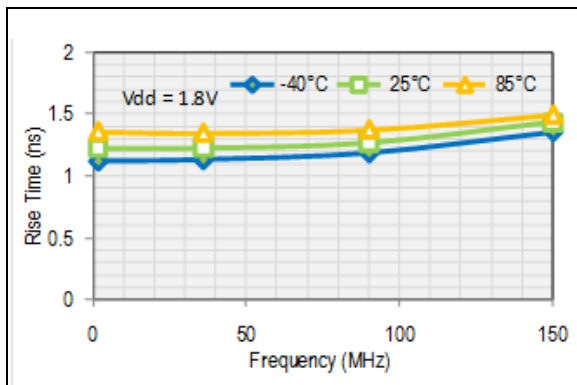


FIGURE 3-3: Rise Time.

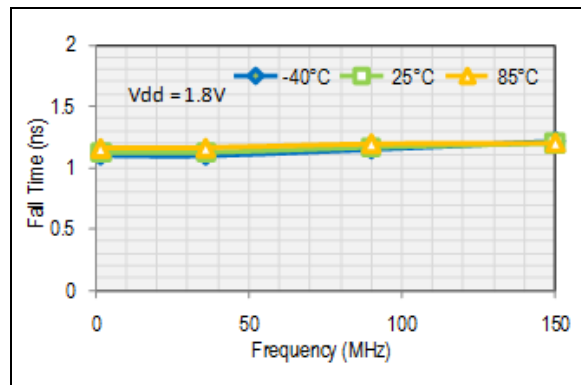


FIGURE 3-6: Fall Time.

4.0 OUTPUT WAVEFORM

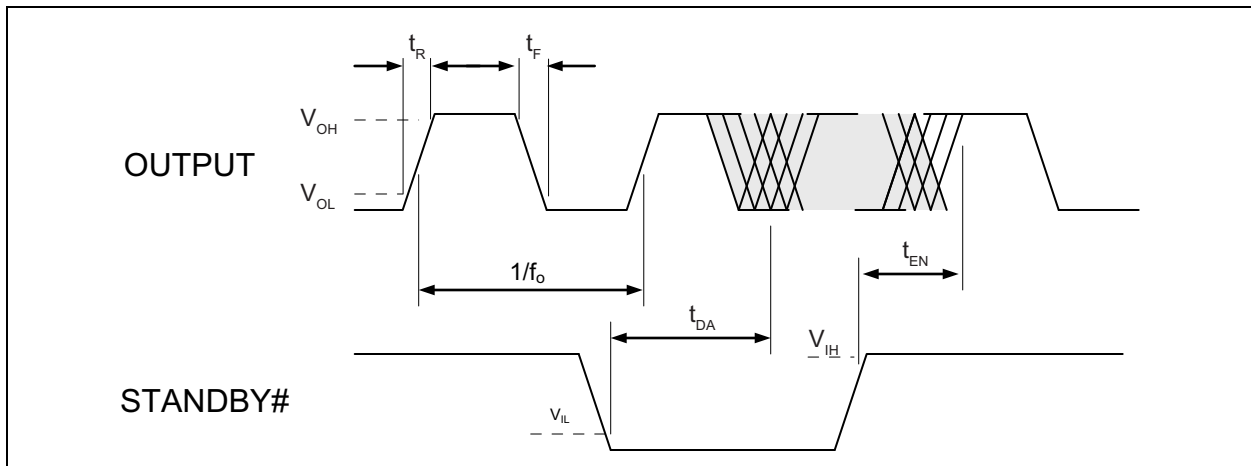


FIGURE 4-1: Output Waveform.

4.1 Standby Function

| Standby# (Pin 1) | Output (Pin 3) |
|-------------------|----------------|
| High Level | Output ON |
| Open (no connect) | Output ON |
| Low Level | High Impedance |

DSC1001/3/4

5.0 TEST CIRCUIT

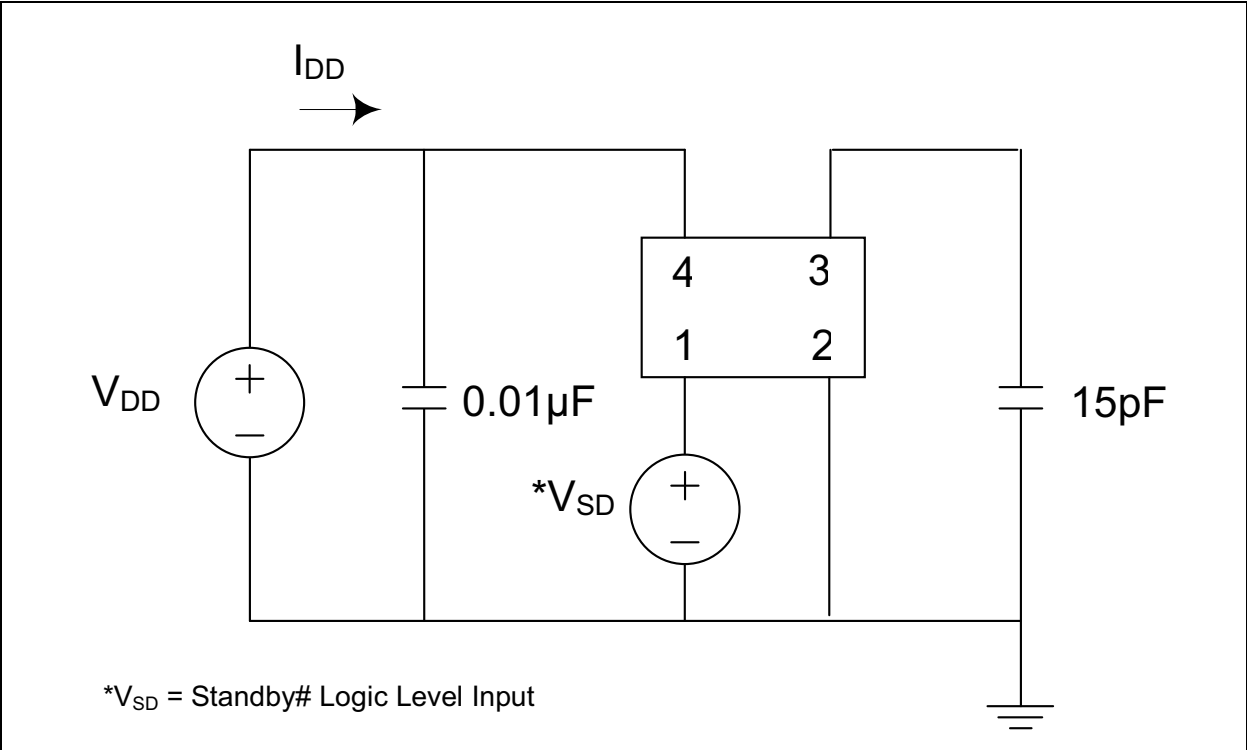


FIGURE 5-1: DSC1001/3/4 Test Circuit.

6.0 BOARD LAYOUT (RECOMMENDED)

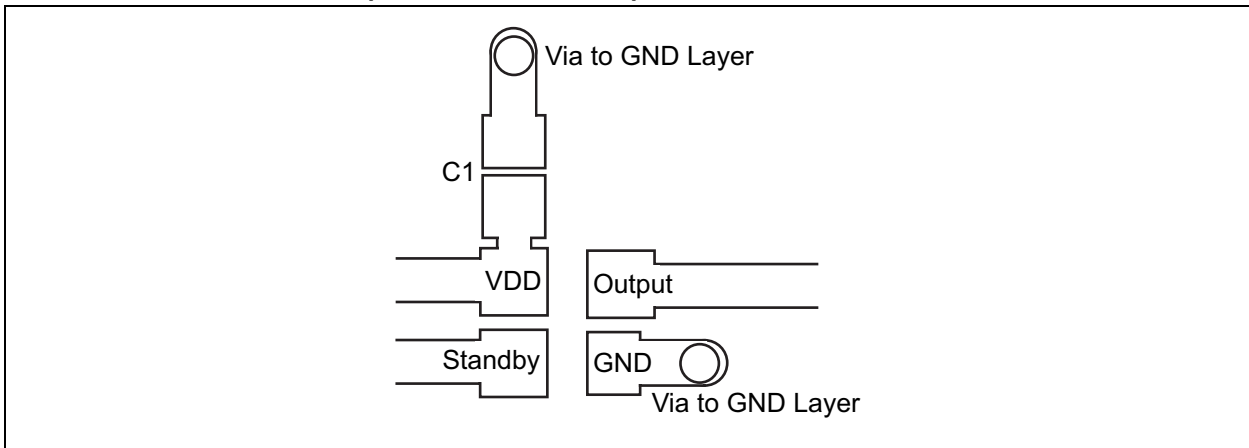


FIGURE 6-1: Recommended Board Layout for DSC1001/3/4.

DSC1001/3/4

7.0 SOLDER REFLOW PROFILE

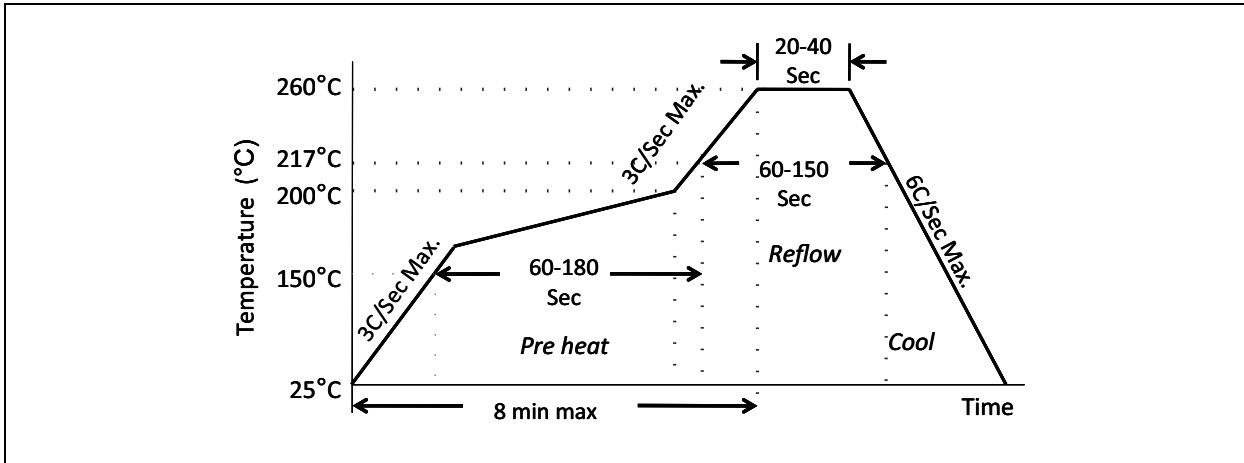


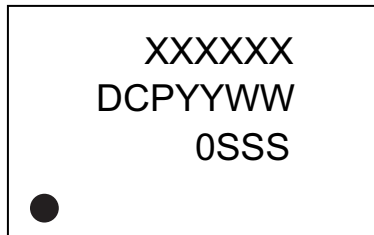
FIGURE 7-1: Solder Reflow Profile.

| MSL 1 @ 260°C refer to JSTD-020C | |
|-----------------------------------|----------------|
| Ramp-Up Rate (200°C to Peak Temp) | 3°C/sec. max. |
| Preheat Time 150°C to 200°C | 60 to 180 sec. |
| Time maintained above 217°C | 60 to 150 sec. |
| Peak Temperature | 255°C to 260°C |
| Time within 5°C of Actual Peak | 20 to 40 sec. |
| Ramp-Down Rate | 6°C/sec. max. |
| Time 25°C to Peak Temperature | 8 minutes max. |

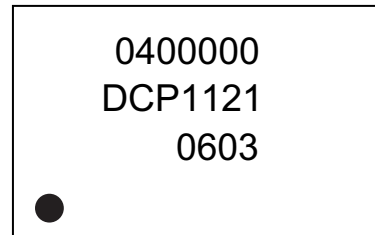
8.0 PACKAGING INFORMATION

8.1 Package Marking Information

4-Lead CDFN/DFN*



Example



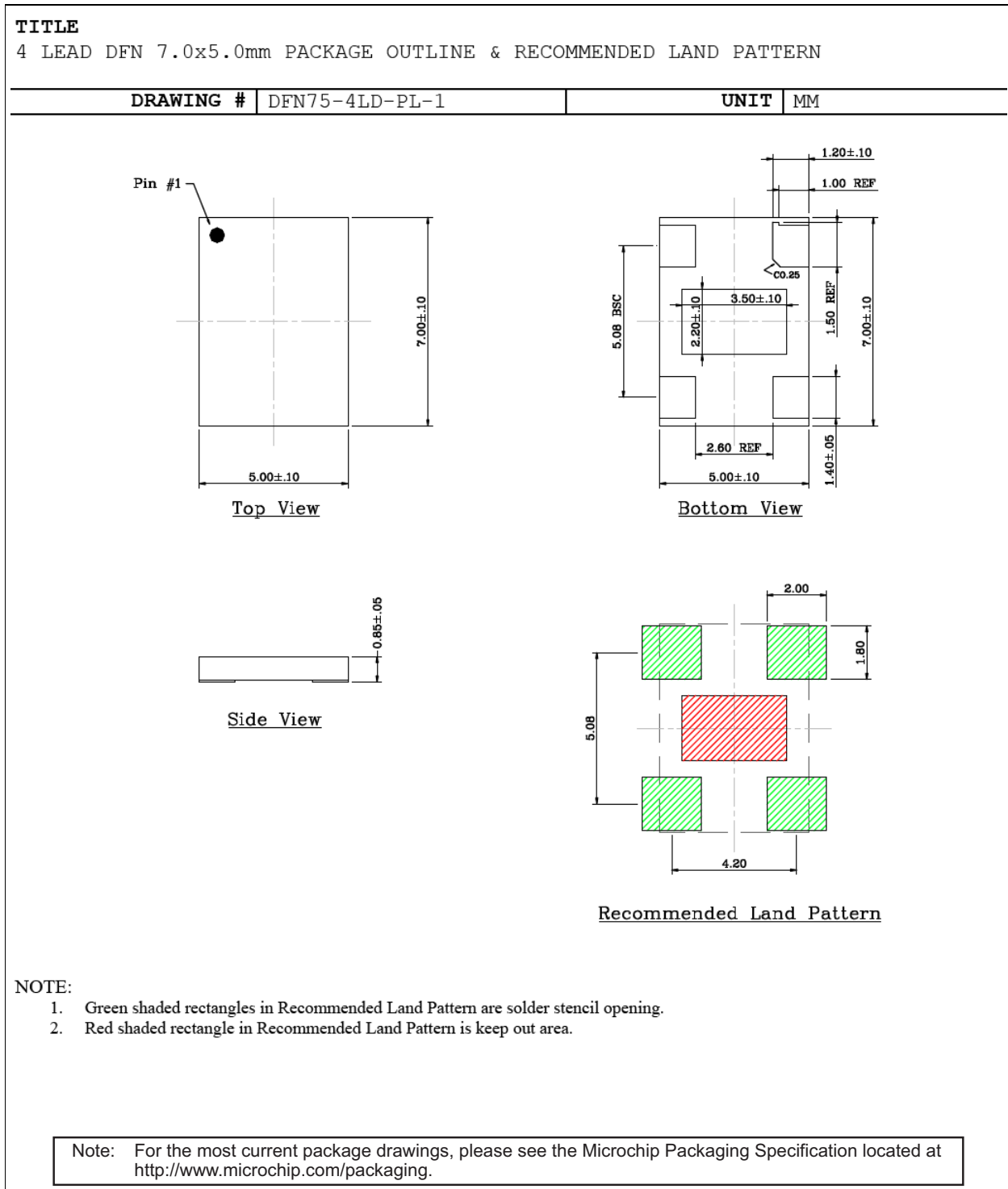
| | | |
|----------------|---------|--|
| Legend: | XX...X | Product code, customer-specific information, or frequency in MHz without printed decimal point |
| | Y | Year code (last digit of calendar year) |
| | YY | Year code (last 2 digits of calendar year) |
| | WW | Week code (week of January 1 is week '01') |
| | NNN | Alphanumeric traceability code |
| | (e3) | Pb-free JEDEC® designator for Matte Tin (Sn) |
| | * (e3) | This package is Pb-free. The Pb-free JEDEC designator ((e3)) can be found on the outer packaging for this package. |
| | •, ▲, ▼ | Pin one index is identified by a dot, delta up, or delta down (triangle mark). |

Note: In the event the full Microchip part number cannot be marked on one line, it will be carried over to the next line, thus limiting the number of available characters for customer-specific information. Package may or may not include the corporate logo.

Underbar (_) and/or Overbar (¯) symbol may not be to scale.

DSC1001/3/4

4-Lead DFN 7.0 mm x 5.0 mm Package Outline & Recommended Land Pattern

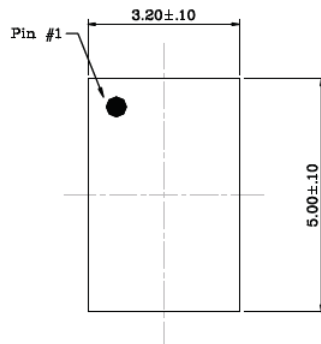


4-Lead CDFN 5.0 mm x 3.2 mm Package Outline & Recommended Land Pattern

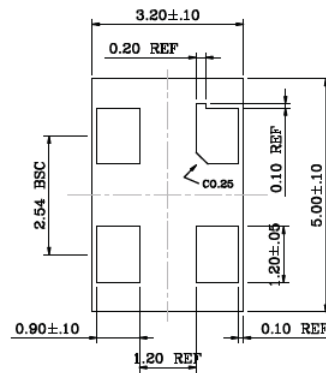
TITLE

4 LEAD CDFN 5.0x3.2mm COL PACKAGE OUTLINE & RECOMMENDED LAND PATTERN

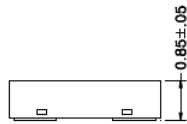
| DRAWING # | CDFN5032-4LD-PL-1 | UNIT | MM |
|-----------|-------------------|------|----|
|-----------|-------------------|------|----|



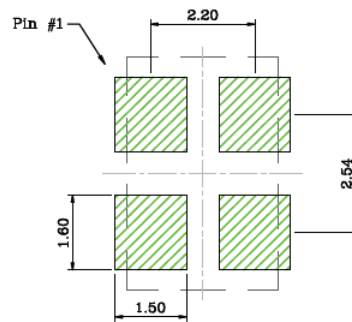
Top View



Bottom View



Side View



Recommended Land Pattern

NOTE:

1. Green shaded rectangles in Recommended Land Pattern are solder stencil opening.

Note: For the most current package drawings, please see the Microchip Packaging Specification located at <http://www.microchip.com/packaging>.

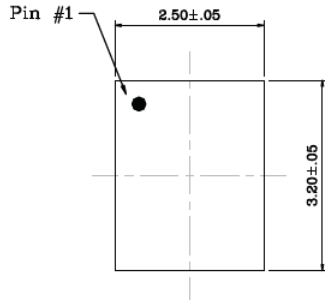
DSC1001/3/4

4-Lead CDFN 3.2 mm x 2.5 mm Package Outline & Recommended Land Pattern

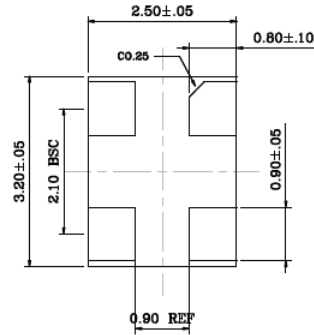
TITLE

4 LEAD CDFN 3.2x2.5mm COL PACKAGE OUTLINE & RECOMMENDED LAND PATTERN

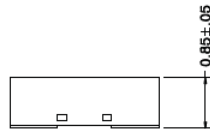
| | | | |
|------------------|-------------------|-------------|----|
| DRAWING # | CDFN3225-4LD-PL-1 | UNIT | MM |
|------------------|-------------------|-------------|----|



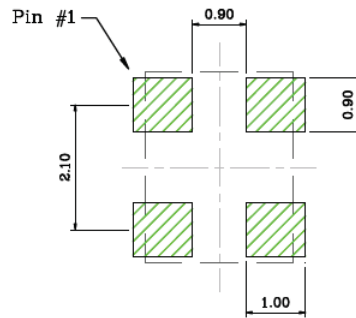
Top View



Bottom View



Side View



Recommended Land Pattern

NOTE:

- Green shaded rectangles in Recommended Land Pattern are solder stencil opening.

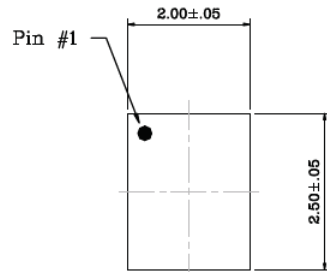
Note: For the most current package drawings, please see the Microchip Packaging Specification located at <http://www.microchip.com/packaging>.

4-Lead CDFN 2.5 mm x 2.0 mm Package Outline & Recommended Land Pattern

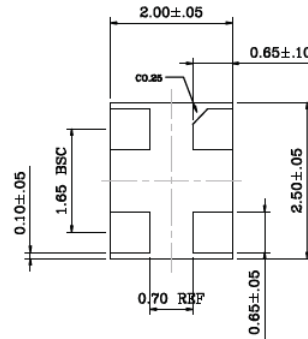
TITLE

4 LEAD CDFN 2.5x2.0mm COL PACKAGE OUTLINE & RECOMMENDED LAND PATTERN

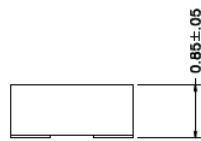
| DRAWING # | CDFN2520-4LD-PL-1 | UNIT | MM |
|-----------|-------------------|------|----|
|-----------|-------------------|------|----|



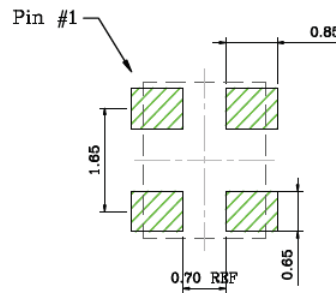
Top View



Bottom View



Side View



Recommended Land Pattern

NOTE:

- Green shaded rectangles in Recommended Land Pattern are solder stencil opening.

Note: For the most current package drawings, please see the Microchip Packaging Specification located at <http://www.microchip.com/packaging>.

DSC1001/3/4

NOTES:

APPENDIX A: REVISION HISTORY

Revision A (September 2017)

- Converted Micrel data sheet DSC1001 to Microchip format data sheet DS20005529A.
- Minor text changes throughout.
- Added [Table 2-2](#) for DFN package.
- Combined Micrel data sheet DSC1003 and DSC1004 into this data sheet.
 - Updated **Section 1.0 “Electrical Characteristics”** to reflect this change.
 - Updated [General Description](#) and [Features](#) to reflect this change.

Revision B (November 2017)

- Updated V_{OH} and V_{OL} values in [Table 1-1](#).

DSC1001/3/4

NOTES:

PRODUCT IDENTIFICATION SYSTEM

To order or obtain information, e.g., on pricing or delivery, contact your local Microchip representative or sales office.

| <u>PART NO.</u> | X | X | X | <u>-XXX.XXXX</u> | X | | | | | | | | | | | | | | | | | | | | | | | | | | | | | | | | | | | | | | | | | | | | | | | | | | | | | | | | | | | | | | | | | | | | | | | | | | | | | | | | | | | | | | | | | | |
|---|--|-------------------|---------------------------------------|------------------|---------|----------------|--|--|--|--|--|-----------------|---|---|----------------------------|--|--|--|---|---|-----------------------------|--|--|--|---|---|-----------------------------|--|--|--|---|---|-----------------------------|--|--|---------------------------|---|---|--------------------------------------|--|--|--|---|---|-----------------------------|--|--|--|---|---|---------------------------------------|--|--|-------------------|---|---|--------|--|--|--|---|---|--------|--|--|--|---|---|---------|--|--|--|---|---|---------|--|--|-------------------|----------|---|---------------------------------|--|--|------------------------|---------|---|----------|--|--|--|---|---|------------|--|--|
| Device | Package | Temperature Range | Stability | Frequency | Package | | | | | | | | | | | | | | | | | | | | | | | | | | | | | | | | | | | | | | | | | | | | | | | | | | | | | | | | | | | | | | | | | | | | | | | | | | | | | | | | | | | | | | | | | | |
| <table border="1" style="width: 100%; border-collapse: collapse;"> <tr> <td style="width: 15%;">Device:</td> <td colspan="5">DSC1001/3/4: 1.8V - 3.3V Low-Power Precision CMOS Oscillator</td> </tr> <tr> <td>Package:</td> <td>A</td> <td>=</td> <td colspan="3">4-Lead 7.0 mm x 5.0 mm DFN</td> </tr> <tr> <td></td> <td>B</td> <td>=</td> <td colspan="3">4-Lead 5.0 mm x 3.2 mm CDFN</td> </tr> <tr> <td></td> <td>C</td> <td>=</td> <td colspan="3">4-Lead 3.2 mm x 2.5 mm CDFN</td> </tr> <tr> <td></td> <td>D</td> <td>=</td> <td colspan="3">4-Lead 2.5 mm x 2.0 mm CDFN</td> </tr> <tr> <td>Temperature Range:</td> <td>E</td> <td>=</td> <td colspan="3">-20°C to +70°C (Extended Commercial)</td> </tr> <tr> <td></td> <td>I</td> <td>=</td> <td colspan="3">-40°C to +85°C (Industrial)</td> </tr> <tr> <td></td> <td>L</td> <td>=</td> <td colspan="3">-40°C to +105°C (Extended Industrial)</td> </tr> <tr> <td>Stability:</td> <td>1</td> <td>=</td> <td colspan="3">±50ppm</td> </tr> <tr> <td></td> <td>2</td> <td>=</td> <td colspan="3">±25ppm</td> </tr> <tr> <td></td> <td>3</td> <td>=</td> <td colspan="3">±20 ppm</td> </tr> <tr> <td></td> <td>5</td> <td>=</td> <td colspan="3">±10 ppm</td> </tr> <tr> <td>Frequency:</td> <td>xxx.xxxx</td> <td>=</td> <td colspan="3">1 MHz to 150 MHz (user-defined)</td> </tr> <tr> <td>Packing Option:</td> <td><blank></td> <td>=</td> <td colspan="3">110/Tube</td> </tr> <tr> <td></td> <td>T</td> <td>=</td> <td colspan="3">1,000/Reel</td> </tr> </table> | | | | | | Device: | DSC1001/3/4: 1.8V - 3.3V Low-Power Precision CMOS Oscillator | | | | | Package: | A | = | 4-Lead 7.0 mm x 5.0 mm DFN | | | | B | = | 4-Lead 5.0 mm x 3.2 mm CDFN | | | | C | = | 4-Lead 3.2 mm x 2.5 mm CDFN | | | | D | = | 4-Lead 2.5 mm x 2.0 mm CDFN | | | Temperature Range: | E | = | -20°C to +70°C (Extended Commercial) | | | | I | = | -40°C to +85°C (Industrial) | | | | L | = | -40°C to +105°C (Extended Industrial) | | | Stability: | 1 | = | ±50ppm | | | | 2 | = | ±25ppm | | | | 3 | = | ±20 ppm | | | | 5 | = | ±10 ppm | | | Frequency: | xxx.xxxx | = | 1 MHz to 150 MHz (user-defined) | | | Packing Option: | <blank> | = | 110/Tube | | | | T | = | 1,000/Reel | | |
| Device: | DSC1001/3/4: 1.8V - 3.3V Low-Power Precision CMOS Oscillator | | | | | | | | | | | | | | | | | | | | | | | | | | | | | | | | | | | | | | | | | | | | | | | | | | | | | | | | | | | | | | | | | | | | | | | | | | | | | | | | | | | | | | | | | | | | | | |
| Package: | A | = | 4-Lead 7.0 mm x 5.0 mm DFN | | | | | | | | | | | | | | | | | | | | | | | | | | | | | | | | | | | | | | | | | | | | | | | | | | | | | | | | | | | | | | | | | | | | | | | | | | | | | | | | | | | | | | | | | | | | |
| | B | = | 4-Lead 5.0 mm x 3.2 mm CDFN | | | | | | | | | | | | | | | | | | | | | | | | | | | | | | | | | | | | | | | | | | | | | | | | | | | | | | | | | | | | | | | | | | | | | | | | | | | | | | | | | | | | | | | | | | | | |
| | C | = | 4-Lead 3.2 mm x 2.5 mm CDFN | | | | | | | | | | | | | | | | | | | | | | | | | | | | | | | | | | | | | | | | | | | | | | | | | | | | | | | | | | | | | | | | | | | | | | | | | | | | | | | | | | | | | | | | | | | | |
| | D | = | 4-Lead 2.5 mm x 2.0 mm CDFN | | | | | | | | | | | | | | | | | | | | | | | | | | | | | | | | | | | | | | | | | | | | | | | | | | | | | | | | | | | | | | | | | | | | | | | | | | | | | | | | | | | | | | | | | | | | |
| Temperature Range: | E | = | -20°C to +70°C (Extended Commercial) | | | | | | | | | | | | | | | | | | | | | | | | | | | | | | | | | | | | | | | | | | | | | | | | | | | | | | | | | | | | | | | | | | | | | | | | | | | | | | | | | | | | | | | | | | | | |
| | I | = | -40°C to +85°C (Industrial) | | | | | | | | | | | | | | | | | | | | | | | | | | | | | | | | | | | | | | | | | | | | | | | | | | | | | | | | | | | | | | | | | | | | | | | | | | | | | | | | | | | | | | | | | | | | |
| | L | = | -40°C to +105°C (Extended Industrial) | | | | | | | | | | | | | | | | | | | | | | | | | | | | | | | | | | | | | | | | | | | | | | | | | | | | | | | | | | | | | | | | | | | | | | | | | | | | | | | | | | | | | | | | | | | | |
| Stability: | 1 | = | ±50ppm | | | | | | | | | | | | | | | | | | | | | | | | | | | | | | | | | | | | | | | | | | | | | | | | | | | | | | | | | | | | | | | | | | | | | | | | | | | | | | | | | | | | | | | | | | | | |
| | 2 | = | ±25ppm | | | | | | | | | | | | | | | | | | | | | | | | | | | | | | | | | | | | | | | | | | | | | | | | | | | | | | | | | | | | | | | | | | | | | | | | | | | | | | | | | | | | | | | | | | | | |
| | 3 | = | ±20 ppm | | | | | | | | | | | | | | | | | | | | | | | | | | | | | | | | | | | | | | | | | | | | | | | | | | | | | | | | | | | | | | | | | | | | | | | | | | | | | | | | | | | | | | | | | | | | |
| | 5 | = | ±10 ppm | | | | | | | | | | | | | | | | | | | | | | | | | | | | | | | | | | | | | | | | | | | | | | | | | | | | | | | | | | | | | | | | | | | | | | | | | | | | | | | | | | | | | | | | | | | | |
| Frequency: | xxx.xxxx | = | 1 MHz to 150 MHz (user-defined) | | | | | | | | | | | | | | | | | | | | | | | | | | | | | | | | | | | | | | | | | | | | | | | | | | | | | | | | | | | | | | | | | | | | | | | | | | | | | | | | | | | | | | | | | | | | |
| Packing Option: | <blank> | = | 110/Tube | | | | | | | | | | | | | | | | | | | | | | | | | | | | | | | | | | | | | | | | | | | | | | | | | | | | | | | | | | | | | | | | | | | | | | | | | | | | | | | | | | | | | | | | | | | | |
| | T | = | 1,000/Reel | | | | | | | | | | | | | | | | | | | | | | | | | | | | | | | | | | | | | | | | | | | | | | | | | | | | | | | | | | | | | | | | | | | | | | | | | | | | | | | | | | | | | | | | | | | | |
| <p>Examples:</p> <p>a) DSC1001AE1-010.0000T: 1.8V - 3.3V Low-Power Precision CMOS Oscillator, 4-Lead 7.0 mm x 5.0 mm DFN, Ext. Commercial Temperature Range, ±50 ppm, 10 MHz Output Frequency, 1,000/Reel</p> <p>b) DSC1003BL2-030.0000: 1.8V - 3.3V Low-Power Precision CMOS Oscillator, 4-Lead 5.0 mm x 3.2 mm CDFN, Ext. Industrial Temperature Range, ±25 ppm, 30 MHz Output Frequency, 110/Tube</p> <p>c) DSC1001DE5-150.0000: 1.8V - 3.3V Low-Power Precision CMOS Oscillator, 4-Lead 2.5 mm x 2.0 mm CDFN, Ext. Commercial Temperature Range, ±10 ppm, 150 MHz Output Frequency, 110/Tube</p> <p>d) DSC1004AI3-075.0000T: 1.8V - 3.3V Low-Power Precision CMOS Oscillator, 4-Lead 7.0 mm x 5.0 mm DFN, Industrial Temperature Range, ±20 ppm, 75 MHz Output Frequency, 1,000/Reel</p> <p>Note 1: Tape and Reel identifier only appears in the catalog part number description. This identifier is used for ordering purposes and is not printed on the device package. Check with your Microchip Sales Office for package availability with the Tape and Reel option.</p> | | | | | | | | | | | | | | | | | | | | | | | | | | | | | | | | | | | | | | | | | | | | | | | | | | | | | | | | | | | | | | | | | | | | | | | | | | | | | | | | | | | | | | | | | | | | | | | |

DSC1001/3/4

NOTES:

Note the following details of the code protection feature on Microchip devices:

- Microchip products meet the specification contained in their particular Microchip Data Sheet.
- Microchip believes that its family of products is one of the most secure families of its kind on the market today, when used in the intended manner and under normal conditions.
- There are dishonest and possibly illegal methods used to breach the code protection feature. All of these methods, to our knowledge, require using the Microchip products in a manner outside the operating specifications contained in Microchip's Data Sheets. Most likely, the person doing so is engaged in theft of intellectual property.
- Microchip is willing to work with the customer who is concerned about the integrity of their code.
- Neither Microchip nor any other semiconductor manufacturer can guarantee the security of their code. Code protection does not mean that we are guaranteeing the product as “unbreakable.”

Code protection is constantly evolving. We at Microchip are committed to continuously improving the code protection features of our products. Attempts to break Microchip's code protection feature may be a violation of the Digital Millennium Copyright Act. If such acts allow unauthorized access to your software or other copyrighted work, you may have a right to sue for relief under that Act.

Information contained in this publication regarding device applications and the like is provided only for your convenience and may be superseded by updates. It is your responsibility to ensure that your application meets with your specifications. MICROCHIP MAKES NO REPRESENTATIONS OR WARRANTIES OF ANY KIND WHETHER EXPRESS OR IMPLIED, WRITTEN OR ORAL, STATUTORY OR OTHERWISE, RELATED TO THE INFORMATION, INCLUDING BUT NOT LIMITED TO ITS CONDITION, QUALITY, PERFORMANCE, MERCHANTABILITY OR FITNESS FOR PURPOSE. Microchip disclaims all liability arising from this information and its use. Use of Microchip devices in life support and/or safety applications is entirely at the buyer's risk, and the buyer agrees to defend, indemnify and hold harmless Microchip from any and all damages, claims, suits, or expenses resulting from such use. No licenses are conveyed, implicitly or otherwise, under any Microchip intellectual property rights unless otherwise stated.

Microchip received ISO/TS-16949:2009 certification for its worldwide headquarters, design and wafer fabrication facilities in Chandler and Tempe, Arizona; Gresham, Oregon and design centers in California and India. The Company's quality system processes and procedures are for its PIC® MCUs and dsPIC® DSCs, KEELoQ® code hopping devices, Serial EEPROMs, microperipherals, nonvolatile memory and analog products. In addition, Microchip's quality system for the design and manufacture of development systems is ISO 9001:2000 certified.

**QUALITY MANAGEMENT SYSTEM
CERTIFIED BY DNV
= ISO/TS 16949 =**

Trademarks

The Microchip name and logo, the Microchip logo, AnyRate, AVR, AVR logo, AVR Freaks, BeaconThings, BitCloud, CryptoMemory, CryptoRF, dsPIC, FlashFlex, flexPWR, Helder, JukeBlox, KEELoQ, KEELoQ logo, Klear, LANCheck, LINK MD, maXStylus, maXTouch, MediaLB, megaAVR, MOST, MOST logo, MPLAB, OptoLyzer, PIC, picoPower, PICSTART, PIC32 logo, Prochip Designer, QTouch, RightTouch, SAM-BA, SpyNIC, SST, SST Logo, SuperFlash, tinyAVR, UNI/O, and XMEGA are registered trademarks of Microchip Technology Incorporated in the U.S.A. and other countries.

ClockWorks, The Embedded Control Solutions Company, EtherSynch, Hyper Speed Control, HyperLight Load, IntelliMOS, mTouch, Precision Edge, and Quiet-Wire are registered trademarks of Microchip Technology Incorporated in the U.S.A.

Adjacent Key Suppression, AKS, Analog-for-the-Digital Age, Any Capacitor, AnyIn, AnyOut, BodyCom, chipKIT, chipKIT logo, CodeGuard, CryptoAuthentication, CryptoCompanion, CryptoController, dsPICDEM, dsPICDEM.net, Dynamic Average Matching, DAM, ECAN, EtherGREEN, In-Circuit Serial Programming, ICSP, Inter-Chip Connectivity, JitterBlocker, KlearNet, KlearNet logo, Mindi, MiWi, motorBench, MPASM, MPF, MPLAB Certified logo, MPLIB, MPLINK, MultiTRAK, NetDetach, Omniscient Code Generation, PICDEM, PICDEM.net, PICKit, PICtail, PureSilicon, QMatrix, RightTouch logo, REAL ICE, Ripple Blocker, SAM-ICE, Serial Quad I/O, SMART-I.S., SQI, SuperSwitcher, SuperSwitcher II, Total Endurance, TSHARC, USBCheck, VariSense, ViewSpan, WiperLock, Wireless DNA, and ZENA are trademarks of Microchip Technology Incorporated in the U.S.A. and other countries.

SQTP is a service mark of Microchip Technology Incorporated in the U.S.A.

Silicon Storage Technology is a registered trademark of Microchip Technology Inc. in other countries.

GestIC is a registered trademark of Microchip Technology Germany II GmbH & Co. KG, a subsidiary of Microchip Technology Inc., in other countries.

All other trademarks mentioned herein are property of their respective companies.

© 2017, Microchip Technology Incorporated, All Rights Reserved.
ISBN: 978-1-5224-2389-8



MICROCHIP

Worldwide Sales and Service

AMERICAS

Corporate Office
2355 West Chandler Blvd.
Chandler, AZ 85224-6199
Tel: 480-792-7200
Fax: 480-792-7277
Technical Support:
<http://www.microchip.com/support>
Web Address:
www.microchip.com

Atlanta
Duluth, GA
Tel: 678-957-9614
Fax: 678-957-1455

Austin, TX
Tel: 512-257-3370

Boston
Westborough, MA
Tel: 774-760-0087
Fax: 774-760-0088

Chicago
Itasca, IL
Tel: 630-285-0071
Fax: 630-285-0075

Dallas
Addison, TX
Tel: 972-818-7423
Fax: 972-818-2924

Detroit
Novi, MI
Tel: 248-848-4000

Houston, TX
Tel: 281-894-5983

Indianapolis
Noblesville, IN
Tel: 317-773-8323
Fax: 317-773-5453
Tel: 317-536-2380

Los Angeles
Mission Viejo, CA
Tel: 949-462-9523
Fax: 949-462-9608
Tel: 951-273-7800

Raleigh, NC
Tel: 919-844-7510

New York, NY
Tel: 631-435-6000

San Jose, CA
Tel: 408-735-9110
Tel: 408-436-4270

Canada - Toronto
Tel: 905-695-1980
Fax: 905-695-2078

ASIA/PACIFIC

Australia - Sydney
Tel: 61-2-9868-6733

China - Beijing
Tel: 86-10-8569-7000

China - Chengdu
Tel: 86-28-8665-5511

China - Chongqing
Tel: 86-23-8980-9588

China - Dongguan
Tel: 86-769-8702-9880

China - Guangzhou
Tel: 86-20-8755-8029

China - Hangzhou
Tel: 86-571-8792-8115

China - Hong Kong SAR
Tel: 852-2943-5100

China - Nanjing
Tel: 86-25-8473-2460

China - Qingdao
Tel: 86-532-8502-7355

China - Shanghai
Tel: 86-21-3326-8000

China - Shenyang
Tel: 86-24-2334-2829

China - Shenzhen
Tel: 86-755-8864-2200

China - Suzhou
Tel: 86-186-6233-1526

China - Wuhan
Tel: 86-27-5980-5300

China - Xian
Tel: 86-29-8833-7252

China - Xiamen
Tel: 86-592-2388138

China - Zhuhai
Tel: 86-756-3210040

ASIA/PACIFIC

India - Bangalore
Tel: 91-80-3090-4444

India - New Delhi
Tel: 91-11-4160-8631

India - Pune
Tel: 91-20-4121-0141

Japan - Osaka
Tel: 81-6-6152-7160

Japan - Tokyo
Tel: 81-3-6880-3770

Korea - Daegu
Tel: 82-53-744-4301

Korea - Seoul
Tel: 82-2-554-7200

Malaysia - Kuala Lumpur
Tel: 60-3-7651-7906

Malaysia - Penang
Tel: 60-4-227-8870

Philippines - Manila
Tel: 63-2-634-9065

Singapore
Tel: 65-6334-8870

Taiwan - Hsin Chu
Tel: 886-3-577-8366

Taiwan - Kaohsiung
Tel: 886-7-213-7830

Taiwan - Taipei
Tel: 886-2-2508-8600

Thailand - Bangkok
Tel: 66-2-694-1351

Vietnam - Ho Chi Minh
Tel: 84-28-5448-2100

EUROPE

Austria - Wels
Tel: 43-7242-2244-39
Fax: 43-7242-2244-393

Denmark - Copenhagen
Tel: 45-4450-2828
Fax: 45-4485-2829

Finland - Espoo
Tel: 358-9-4520-820

France - Paris
Tel: 33-1-69-53-63-20
Fax: 33-1-69-30-90-79

Germany - Garching
Tel: 49-8931-9700

Germany - Haan
Tel: 49-2129-3766400

Germany - Heilbronn
Tel: 49-7131-67-3636

Germany - Karlsruhe
Tel: 49-721-625370

Germany - Munich
Tel: 49-89-627-144-0
Fax: 49-89-627-144-44

Germany - Rosenheim
Tel: 49-8031-354-560

Israel - Ra'anana
Tel: 972-9-744-7705

Italy - Milan
Tel: 39-0331-742611
Fax: 39-0331-466781

Italy - Padova
Tel: 39-049-7625286

Netherlands - Drunen
Tel: 31-416-690399
Fax: 31-416-690340

Norway - Trondheim
Tel: 47-7289-7561

Poland - Warsaw
Tel: 48-22-3325737

Romania - Bucharest
Tel: 40-21-407-87-50

Spain - Madrid
Tel: 34-91-708-08-90
Fax: 34-91-708-08-91

Sweden - Gothenberg
Tel: 46-31-704-60-40

Sweden - Stockholm
Tel: 46-8-5090-4654

UK - Wokingham
Tel: 44-118-921-5800
Fax: 44-118-921-5820