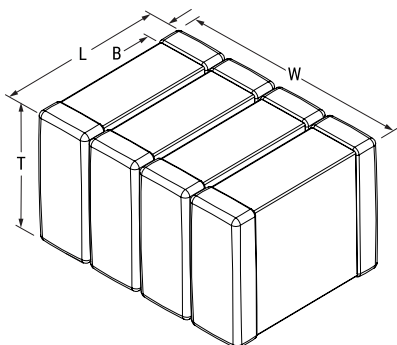


KONNEKT KC-Link, Ceramic, 0.6 uF, 10%, 650 VDC, C0G, 4-Chip Low Loss Orientation.



### Dimensions

<b>L</b>	9.3mm +/-0.6mm
<b>W</b>	10.3mm +/-0.8mm
<b>T</b>	10.2mm +/-0.4mm
<b>B</b>	1.27mm +/-0.4mm

### Packaging Specifications

<b>Weight:</b>	4.3 g
<b>Packaging:</b>	T&R, 180mm
<b>Packaging Quantity:</b>	50

### General Information

<b>Series:</b>	KONNEKT KC-Link
<b>Style:</b>	KONNEKT
<b>Description:</b>	KC-LINK with KONNEKT, SMD, MLCC, Ultra-Stable, Class I
<b>Features:</b>	Ultra-Stable
<b>RoHS:</b>	Yes
<b>Termination:</b>	Tin
<b>AEC-Q200:</b>	No
<b>Notes:</b>	4-Chip Low Loss Orientation.
<b>Chip Size:</b>	3640
<b>MSL:</b>	1

### Specifications

<b>Capacitance:</b>	0.6 uF
<b>Measurement Condition:</b>	1 kHz 1.0Vrms
<b>Capacitance Tolerance:</b>	10%
<b>Voltage DC:</b>	650 VDC
<b>Dielectric Withstanding Voltage:</b>	845 VDC
<b>Temperature Range:</b>	-55/+150°C
<b>Temperature Coefficient:</b>	C0G
<b>Capacitance Change with Reference to +25°C and 0 VDC Applied (TCC):</b>	30 ppm/C, 1kHz 1.0Vrms
<b>Dissipation Factor:</b>	0.1% 1 kHz 1.0Vrms
<b>Aging Rate:</b>	0% Loss/Decade Hour
<b>Insulation Resistance:</b>	1.667 GOhms