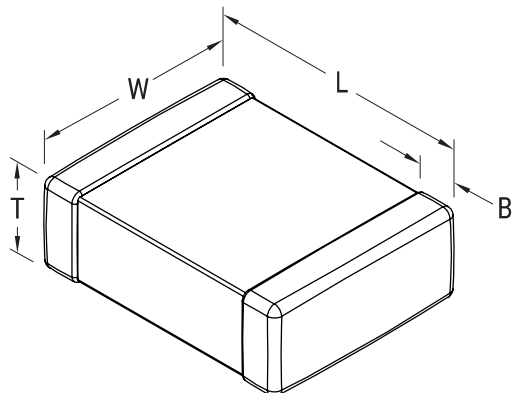


KEMET Part Number: CKC21X682GDGACTU
(CKC21X682GDGAC7800)

KC Link Auto C0G, Ceramic, 6800 pF, 2%, 1000 VDC, C0G, SMD, MLCC, FT-CAP, Ultra-Stable, 2220



Dimensions	
Chip Size	2220
L	5.9mm +/-0.75mm
W	5mm +/-0.4mm
T	2.5mm +/-0.20mm
B	0.7mm +/-0.35mm

Packaging Specifications	
Packaging:	T&R, 180mm, Plastic Tape
Packaging Quantity:	500

General Information	
Series:	KC Link Auto C0G
Style:	SMD Chip
Description:	SMD, MLCC, FT-CAP, Ultra-Stable
Features:	Ultra-Stable, Low Loss
RoHS:	Yes
Termination:	Flexible Termination
Marking:	No
AEC-Q200:	No
Shelf Life:	78 Weeks
MSL:	1

Specifications	
Capacitance:	6800 pF
Measurement Condition:	1 kHz 1.0Vrms
Capacitance Tolerance:	2%
Voltage DC:	1000 VDC
Dielectric Withstanding Voltage:	1200 VDC
Temperature Range:	-55/+150°C
Temperature Coefficient:	C0G
Capacitance Change with Reference to +25°C and 0 VDC Applied (TCC):	30 ppm/C, 1kHz 1.0Vrms
Dissipation Factor:	0.1% 1 kHz 1.0Vrms
Aging Rate:	0% Loss/Decade Hour
Insulation Resistance:	100 GOhms