

Aluminum electrolytic capacitors

Hybrid polymer aluminum electrolytic capacitors,
very high ripple current density – up to 150 °C

Series/Type: B40600, B40700

Date: March 2020

Axial-lead and soldering star capacitors

Applications

- Automotive electronics
- Industrial electronics

Features

- Very high ripple current capability
- Stable internal thermal connection during useful life
- High operating temperature capability up to 150 °C
- Useful life, 4000 h at up to 125 °C
- High vibration stability of 30 *g*
- Very low ESR across temperature range
- RoHS-compatible

Construction

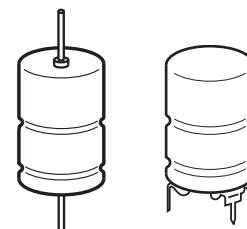
- Polar
- Aluminum case with or without PET sleeve
- Negative pole connected to case

Terminals

- Axial leads, welded to capacitor case and cover disc
- Soldering star option for upright mounting on PCB or welding to busbar

Taping and packing

- Axial-lead capacitors will be delivered in pallet package or taped on reel
- Soldering star capacitors are packed in blister trays




Specifications and characteristics in brief

Rated voltage V_R	25 ... 35 V DC			
Surge voltage V_S	$1.15 \cdot V_R$			
Rated capacitance C_R	780 ... 2200 μF			
Capacitance tolerance	–20/+20% \triangleq M			
Leakage current I_{leak} (5 min, 20 °C)	$I_{\text{leak}} \leq 0.006 \mu\text{A} \cdot \left(\frac{C_R}{\mu\text{F}} \cdot \frac{V_R}{\text{V}} \right) + 4 \mu\text{A}$			
Self-inductance ESL ¹⁾	Diameter d (mm)	14	16	
	Terminals	Length l (mm)	Approx. ESL (nH)	
	axial	25	22	26
		30	24	29
	soldering star	25	6	7
30		7	8	
Useful life ²⁾ $T_A = 125 \text{ °C}; V_R; I_{AC,R}$ $T_C = 125 \text{ °C}; V_R; I_{AC,max}$	> 4000 h > 2000 h	Requirements: $ \Delta C/C \leq 30\%$ of initial value ESR ≤ 3 times initial specified limit ³⁾ $I_{\text{leak}} \leq$ initial specified limit		
Voltage endurance test 125 °C; V_R	1000 h	Post test requirements: $ \Delta C/C \leq 10\%$ of initial value ESR ≤ 1.5 times initial specified limit ³⁾ $I_{\text{leak}} \leq$ initial specified limit		
Vibration resistance test	To IEC 60068-2-6, test Fc: Frequency range 10 Hz ... 2 kHz, displacement amplitude max. 1.5 mm, acceleration max. 30 g, duration 3 × 2 h. Capacitor rigidly clamped by the aluminum case e.g. using our standard fixture			
IEC climatic category	To IEC 60068-1: 55/125/56 (–55 °C/+125 °C/56 days damp heat test)			
Sectional specification	IEC 60384-4			
Reference standard	AEC-Q200 ⁴⁾			

1) If optimum circuit design is used, the values are lower by 30%.

2) Refer to chapter "General technical information, 5 Useful life" on how to interpret useful life.

3) ESR_{max} at 20 kHz, +20 °C is measured with the probe connected in close proximity to the capacitor body. In case of soldering star capacitors with all negative pins connected in parallel.

4) Refer to chapter "General information, 2.3 AEC standard" for further details.

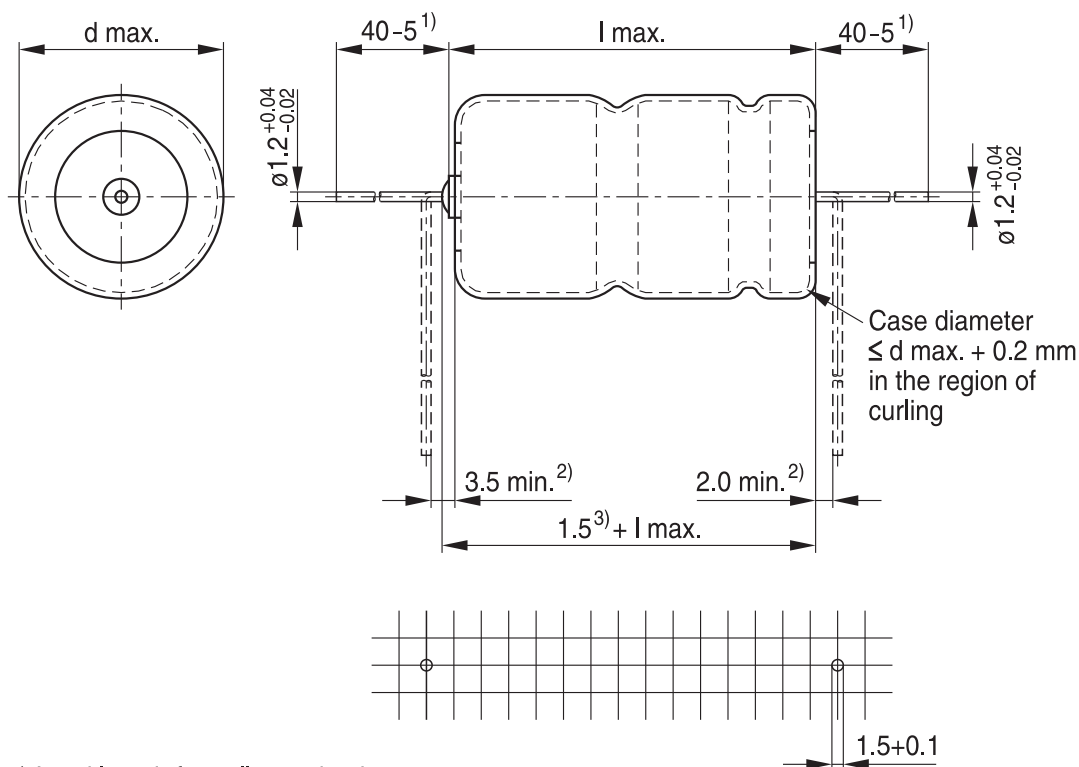


B40600, B40700

Very high ripple current density – up to 150 °C

B40600, Axial-lead capacitors, version with PET sleeve

Dimensional drawing

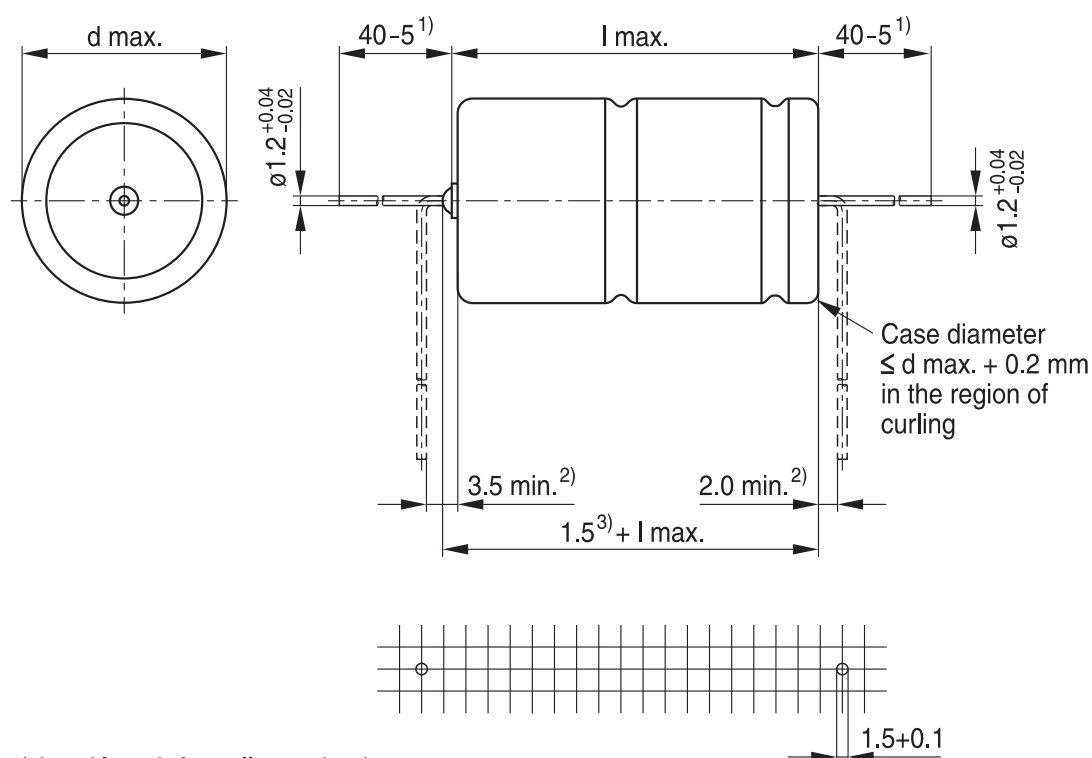


- 1) Lead length for pallet packaging
- 2) Minimum bending distance recommended per wire
- 3) Maximum length of welding projection

KAL1789-P-E

Dimensions, weights and packing units

d × l mm	d _{max} × l _{max} mm	Approx. weight g	Packing units (pcs.)	
			Pallet	Reel
14 × 25	14.5 × 25.5	6.1	200	350
14 × 30	14.5 × 30.5	7.3	200	350
16 × 25	16.5 × 25.5	7.7	180	250
16 × 30	16.5 × 30.5	9.1	180	250


B40600, Axial-lead capacitors, version without sleeve
Dimensional drawing


- 1) Lead length for pallet packaging
- 2) Minimum bending distance recommended per wire
- 3) Maximum length of welding projection

KAL1790-S-E

Dimensions, weights and packing units

d × l mm	d _{max} × l _{max} mm	Approx. weight g	Packing units (pcs.)	
			Pallet	Reel
14 × 25	14.3 × 25.4	5.9	200	350
14 × 30	14.3 × 30.4	7.1	200	350
16 × 25	16.3 × 25.4	7.5	180	250
16 × 30	16.3 × 30.4	8.9	180	250



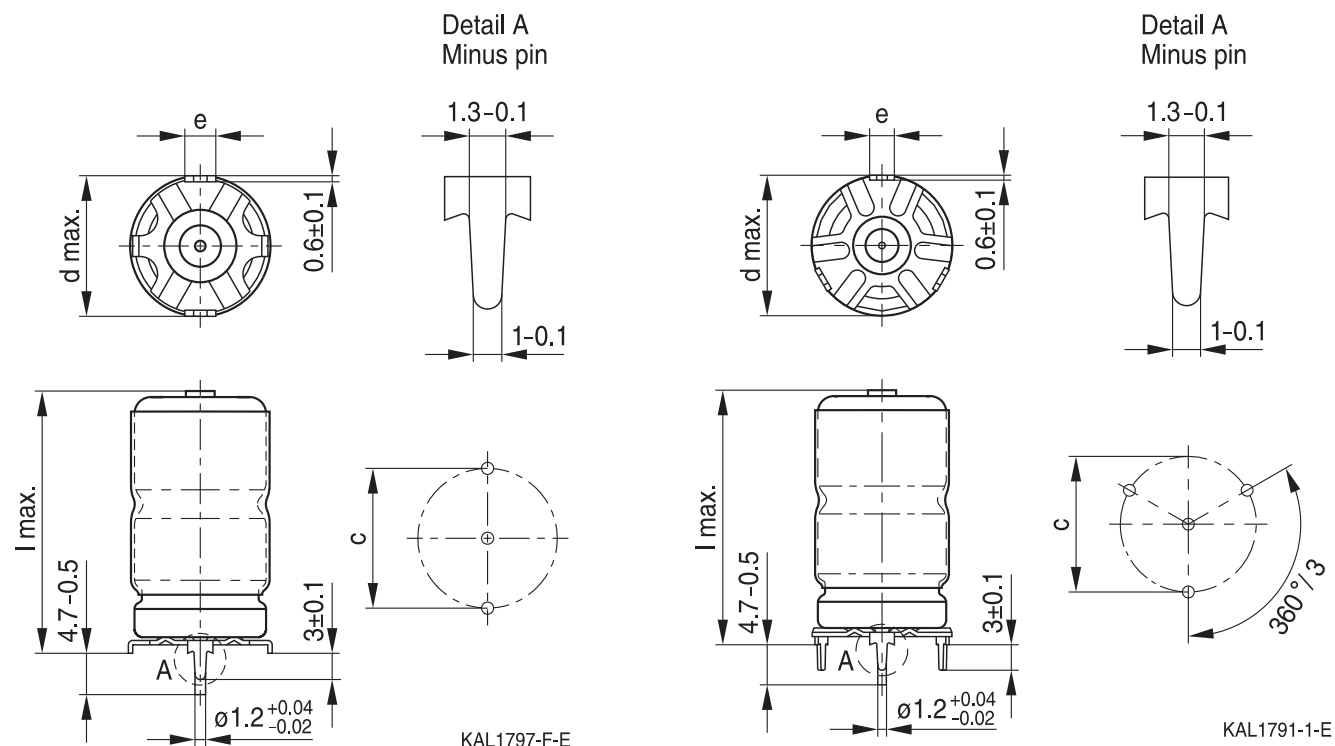
B40600, B40700

Very high ripple current density – up to 150 °C

B40700, Soldering star capacitors, version with PET sleeve

Dimensional drawings

Mounting holes $d = 14 \dots 16 \text{ mm}$



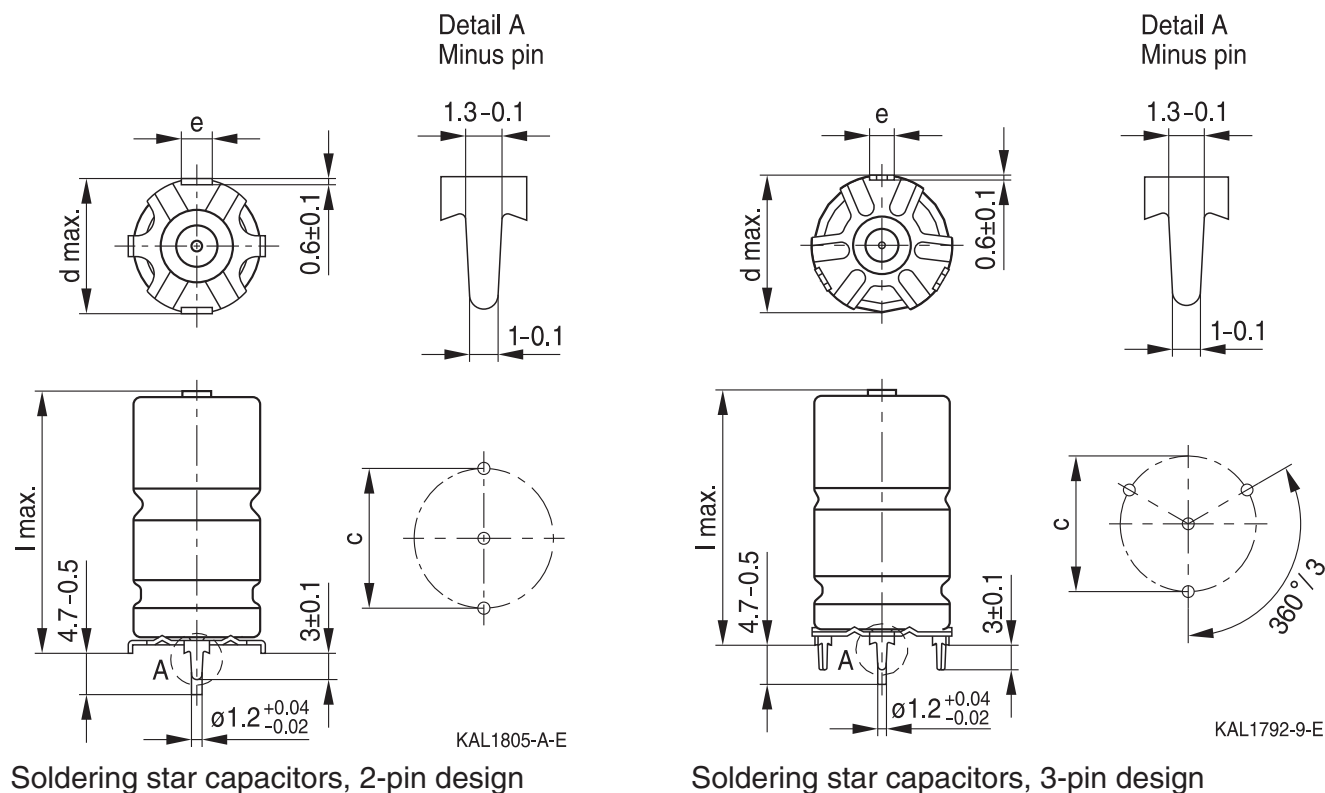
Soldering star capacitors, 2-pin design

Soldering star capacitors, 3-pin design

Dimensions, weights and packing units

$d \times l$ mm	$d_{\max} \times l_{\max}$ mm	$c \pm 0.1$ mm	$e \pm 0.1$ mm	Approx. weight g	Packing units pcs.
14 × 25	15.5 × 28	14.5	3.0	6.1	480
14 × 30	15.5 × 33	14.5	3.0	7.3	480
16 × 25	17.5 × 28	16.5	3.0	7.7	300
16 × 30	17.5 × 33	16.5	3.0	9.1	300


B40700, Soldering star capacitors, version without sleeve
Dimensional drawings

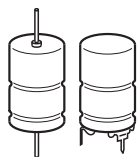
 Mounting holes $d = 14 \dots 16 \text{ mm}$


Soldering star capacitors, 2-pin design

Soldering star capacitors, 3-pin design

Dimensions, weights and packing units

$d \times l$ mm	$d_{\max} \times l_{\max}$ mm	$c \pm 0.1$ mm	$e \pm 0.1$ mm	Approx. weight g	Packing units pcs.
14 × 25	15.5 × 28	14.5	3.0	5.9	480
14 × 30	15.5 × 33	14.5	3.0	7.1	480
16 × 25	17.5 × 28	16.5	3.0	7.5	300
16 × 30	17.5 × 33	16.5	3.0	8.9	300


B40600, B40700
Very high ripple current density – up to 150 °C
Overview of available types

Other voltage and capacitance ratings are available upon request.

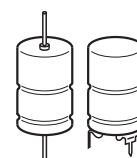
V_R (V DC)	25	35
	Case dimensions $d \times l$ (mm)	
C_R (μF)		
780		14 × 25
1000		14 × 30 16 × 25
1200	14 × 25	
1400		16 × 30
1600	14 × 30	
1700	16 × 25	
2200	16 × 30	

Case dimensions and ordering codes

C_R 100 Hz 20 °C μF	Case dimen- sions $d \times l$ mm	Ordering code Axial pallet	Ordering code Axial reel	Ordering code Soldering star 3 Pin	Ordering code Soldering star 2 Pin
$V_R = 25$ V DC					
1200	14 × 25	B40600A5128M0*1	B40600A5128M0*3	B40700A5128M0*1	B40700A5128M0*2
1600	14 × 30	B40600A5168M0*1	B40600A5168M0*3	B40700A5168M0*1	B40700A5168M0*2
1700	16 × 25	B40600A5178M0*1	B40600A5178M0*3	B40700A5178M0*1	B40700A5178M0*2
2200	16 × 30	B40600A5228M0*1	B40600A5228M0*3	B40700A5228M0*1	B40700A5228M0*2
$V_R = 35$ V DC					
780	14 × 25	B40600A7787M0*1	B40600A7787M0*3	B40700A7787M0*1	B40700A7787M0*2
1000	14 × 30	B40600A7108M0*1	B40600A7108M0*3	B40700A7108M0*1	B40700A7108M0*2
1000	16 × 25	B40600B7108M0*1	B40600B7108M0*3	B40700B7108M0*1	B40700B7108M0*2
1400	16 × 30	B40600A7148M0*1	B40600A7148M0*3	B40700A7148M0*1	B40700A7148M0*2

Composition of ordering code

- * = sleeve option
- 0 = with sleeve
- 1 = without sleeve


Technical data – B40600 series

C_R	Case dimensions	$ESR_{max}^{1)}$	$ESR_{max}^{1)}$	$I_{AC,R}$, with sleeve	$I_{AC,R}$, without sleeve	$I_{AC,max}^{2)}$
100 Hz	d × l	20 kHz	20 kHz	20 kHz	20 kHz	20 kHz
20 °C		20 °C	−40 °C	T_A 125°C	T_A 125°C	T_C 125°C
μF	mm	mΩ	mΩ	A	A	A
$V_R = 25$ V DC						
1200	14 × 25	5.1	7.1	7.4	6.7	22.2
1600	14 × 30	4.4	6.1	8.5	7.7	24.8
1700	16 × 25	4.0	5.5	9.2	8.4	28.0
2200	16 × 30	3.5	4.8	10.5	9.6	31.0
$V_R = 35$ V DC						
780	14 × 25	5.1	7.1	7.4	6.7	22.2
1000	14 × 30	4.4	6.1	8.5	7.7	24.8
1000	16 × 25	4.0	5.5	9.2	8.4	28.0
1400	16 × 30	3.5	4.8	10.5	9.6	31.0

1) ESR_{max} at 20 kHz is measured with the probe connected in close proximity to the capacitor body.

2) Ripple current at fixed capacitor case temperature (measured at aluminum case surface) when mounted to a heatsink. In case of soldering star capacitors with all negative pins


B40600, B40700
Very high ripple current density – up to 150 °C
Technical data – B40700 series

C_R	Case dimensions	$ESR_{max}^{1)}$	$ESR_{max}^{1)}$	$I_{AC,R}$, with sleeve	$I_{AC,R}$, without sleeve	$I_{AC,max}^{2)}$	Soldering star design variant
100 Hz 20 °C μF	$d \times l$ mm	20 kHz 20 °C m Ω	20 kHz –40 °C m Ω	20 kHz T_A 125°C A	20 kHz T_A 125°C A	20 kHz T_C 125°C A	
$V_R = 25$ V DC							
1200	14 × 25	5.4	7.4	7.4	6.7	22.2	3 pin
1200	14 × 25	5.6	7.6	7.4	6.7	22.2	2 pin
1600	14 × 30	4.7	6.4	8.5	7.7	24.8	3 pin
1600	14 × 30	4.9	6.6	8.5	7.7	24.8	2 pin
1700	16 × 25	4.3	5.8	9.2	8.4	28.0	3 pin
1700	16 × 25	4.5	6.0	9.2	8.4	28.0	2 pin
2200	16 × 30	3.8	5.1	10.5	9.6	31.0	3 pin
2200	16 × 30	4.0	5.3	10.5	9.6	31.0	2 pin
$V_R = 35$ V DC							
780	14 × 25	5.4	7.4	7.4	6.7	22.2	3 pin
780	14 × 25	5.6	7.6	7.4	6.7	22.2	2 pin
1000	14 × 30	4.7	6.4	8.5	7.7	24.8	3 pin
1000	14 × 30	4.9	6.6	8.5	7.7	24.8	2 pin
1000	16 × 25	4.3	5.8	9.2	8.4	28.0	3 pin
1000	16 × 25	4.5	6.0	9.2	8.4	28.0	2 pin
1400	16 × 30	3.8	5.1	10.5	9.6	31.0	3 pin
1400	16 × 30	4.0	5.3	10.5	9.6	31.0	2 pin

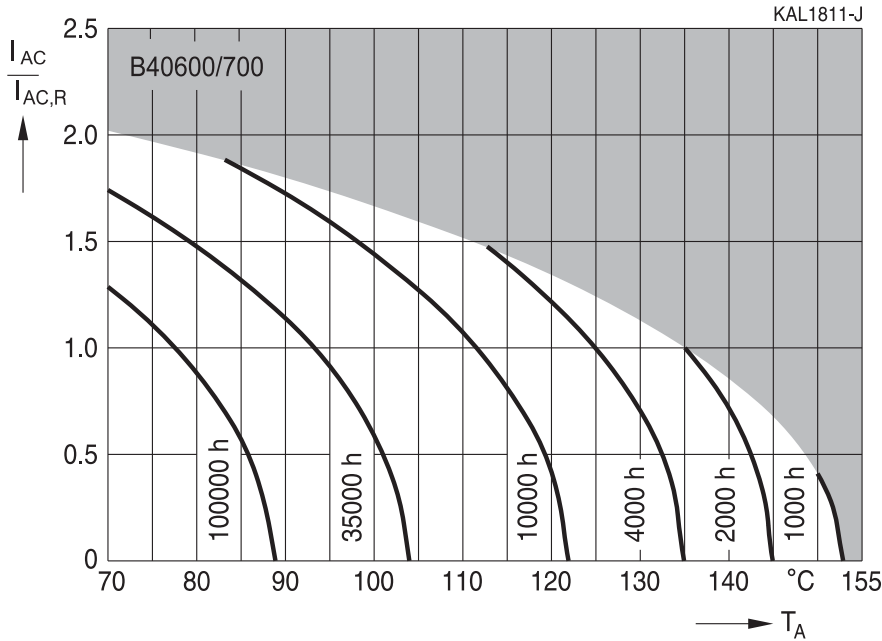
1) ESRmax at 20 kHz, +20 °C is measured with the probe connected in close proximity to the capacitor body. In case of soldering star capacitors with all negative pins connected in parallel.

2) Ripple current at fixed capacitor case temperature (measured at aluminum case surface) when mounted to a heatsink. In case of soldering star capacitors with all negative pins



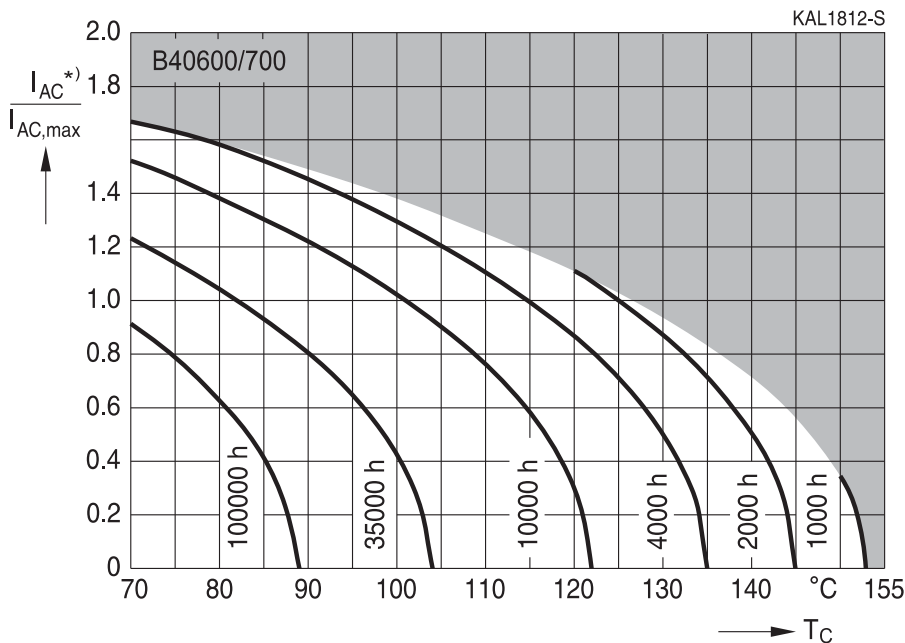
Useful life¹⁾

depending on ambient temperature T_A under ripple current operating conditions at V_R



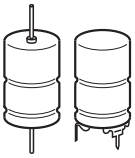
Useful life¹⁾

depending on case temperature T_C under ripple current operating conditions at V_R



^{*)} Maximum ripple current I_{AC} under continuous operation is limited to 35 A.

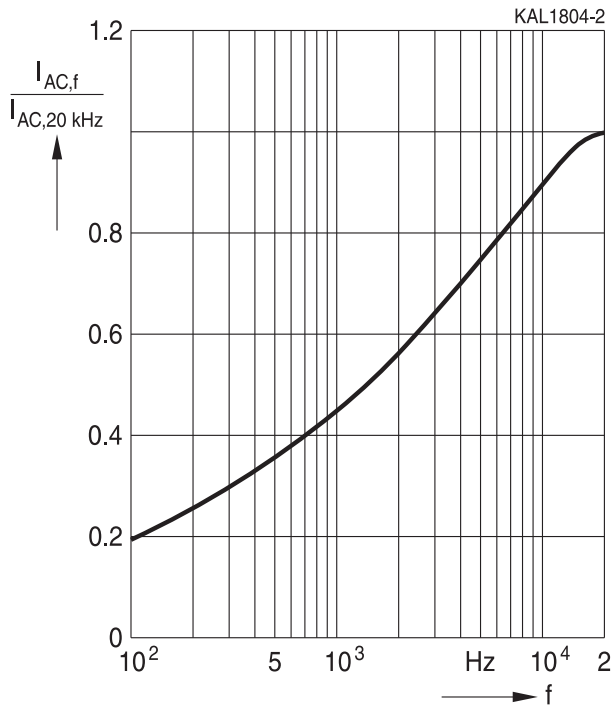
1) Refer to chapter "General technical information, 5 Useful life" on how to interpret useful life.



B40600, B40700

Very high ripple current density – up to 150 °C

Frequency factor of permissible ripple current I_{AC} versus frequency f





Cautions and warnings

Personal safety

The electrolytes used have been optimized both with a view to the intended application and with regard to health and environmental compatibility. They do not contain any solvents that are detrimental to health, e.g. dimethyl formamide (DMF) or dimethyl acetamide (DMAC). Furthermore, some of the high-voltage electrolytes used are self-extinguishing.

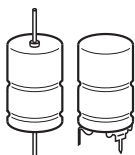
As far as possible, we do not use any dangerous chemicals or compounds to produce operating electrolytes, although in exceptional cases, such materials must be used in order to achieve specific physical and electrical properties because no alternative materials are currently known. We do, however, restrict the amount of dangerous materials used in our products to an absolute minimum.

Materials and chemicals used in our aluminum electrolytic capacitors are continuously adapted in compliance with the TDK Electronics Corporate Environmental Policy and the latest EU regulations and guidelines such as RoHS, REACH/SVHC, GADSL, and ELV.

MDS (Material Data Sheets) are available on our website for all types listed in the data book. MDS for customer specific capacitors are available upon request.

MSDS (Material Safety Data Sheets) are available for our electrolytes upon request.

Nevertheless, the following rules should be observed when handling aluminum electrolytic capacitors: No electrolyte should come into contact with eyes or skin. If electrolyte does come into contact with the skin, wash the affected areas immediately with running water. If the eyes are affected, rinse them for 10 minutes with plenty of water. If symptoms persist, seek medical treatment. Avoid inhaling electrolyte vapor or mists. Workplaces and other affected areas should be well ventilated. Clothing that has been contaminated by electrolyte must be changed and rinsed in water.



B40600, B40700

Very high ripple current density – up to 150 °C

Product safety

The table below summarizes the safety instructions that must be observed without fail. A detailed description can be found in the relevant sections of separate file chapter "General technical information".

Topic	Safety information	Reference chapter "General technical information"
Polarity	Make sure that polar capacitors are connected with the right polarity.	1 "Basic construction of aluminum electrolytic capacitors"
Reverse voltage	Voltages of opposite polarity should be prevented by connecting a diode.	3.1.6 "Reverse voltage"
Mounting position of screw-terminal capacitors	Screw terminal capacitors must not be mounted with terminals facing down unless otherwise specified.	11.1. "Mounting positions of capacitors with screw terminals"
Robustness of terminals	The following maximum tightening torques must not be exceeded when connecting screw terminals: M5: 2.5 Nm M6: 4.0 Nm	11.3 "Mounting torques"
Mounting of single-ended capacitors	The internal structure of single-ended capacitors might be damaged if excessive force is applied to the lead wires. Avoid any compressive, tensile or flexural stress. Do not move the capacitor after soldering to PC board. Do not pick up the PC board by the soldered capacitor. Do not insert the capacitor on the PC board with a hole space different to the lead space specified.	11.4 "Mounting considerations for single-ended capacitors"
Soldering	Do not exceed the specified time or temperature limits during soldering.	11.5 "Soldering"
Soldering, cleaning agents	Do not allow halogenated hydrocarbons to come into contact with aluminum electrolytic capacitors.	11.6 "Cleaning agents"
Upper category temperature	Do not exceed the upper category temperature.	7.2 "Maximum permissible operating temperature"
Passive flammability	Avoid external energy, e.g. fire.	8.1 "Passive flammability"



Topic	Safety information	Reference chapter "General technical information"
Active flammability	Avoid overload of the capacitors.	8.2 "Active flammability"
Maintenance	Make periodic inspections of the capacitors. Before the inspection, make sure that the power supply is turned off and carefully discharge the capacitors. Do not apply excessive mechanical stress to the capacitor terminals when mounting.	10 "Maintenance"
Storage	Do not store capacitors at high temperatures or high humidity. Capacitors should be stored at +5 to +35 °C and a relative humidity of ≤ 75%.	7.3 "Shelf life and storage conditions"
		Reference chapter "Capacitors with screw terminals"
Breakdown strength of insulating sleeves	Do not damage the insulating sleeve, especially when ring clips are used for mounting.	"Screw terminals – accessories"

Display of ordering codes for TDK Electronics products

The ordering code for one and the same product can be represented differently in data sheets, data books, other publications, on the company website, or in order-related documents such as shipping notes, order confirmations and product labels. The varying representations of the ordering codes are due to different processes employed and do not affect the specifications of the respective products.

Detailed information can be found on the Internet under www.tdk-electronics.tdk.com/orderingcodes.



B40600, B40700

Very high ripple current density – up to 150 °C

Symbols and terms

Symbol	English	German
C	Capacitance	Kapazität
C_R	Rated capacitance	Nennkapazität
C_S	Series capacitance	Serienkapazität
$C_{S,T}$	Series capacitance at temperature T	Serienkapazität bei Temperatur T
C_f	Capacitance at frequency f	Kapazität bei Frequenz f
d	Case diameter, nominal dimension	Gehäusedurchmesser, Nennmaß
d_{max}	Maximum case diameter	Maximaler Gehäusedurchmesser
ESL	Self-inductance	Eigeninduktivität
ESR	Equivalent series resistance	Ersatzserienwiderstand
ESR_f	Equivalent series resistance at frequency f	Ersatzserienwiderstand bei Frequenz f
ESR_T	Equivalent series resistance at temperature T	Ersatzserienwiderstand bei Temperatur T
f	Frequency	Frequenz
I	Current	Strom
I_{AC}	Alternating current (ripple current)	Wechselstrom
$I_{AC,RMS}$	Root-mean-square value of alternating current	Wechselstrom, Effektivwert
$I_{AC,f}$	Ripple current at frequency f	Wechselstrom bei Frequenz f
$I_{AC,max}$	Maximum permissible ripple current	Maximal zulässiger Wechselstrom
$I_{AC,R}$	Rated ripple current	Nennwechselstrom
I_{leak}	Leakage current	Reststrom
$I_{leak,op}$	Operating leakage current	Betriebsreststrom
l	Case length, nominal dimension	Gehäuselänge, Nennmaß
l_{max}	Maximum case length (without terminals and mounting stud)	Maximale Gehäuselänge (ohne Anschlüsse und Gewindebolzen)
R	Resistance	Widerstand
R_{ins}	Insulation resistance	Isolationswiderstand
R_{symm}	Balancing resistance	Symmetrierwiderstand
T	Temperature	Temperatur
ΔT	Temperature difference	Temperaturdifferenz
T_A	Ambient temperature	Umgebungstemperatur
T_C	Case temperature	Gehäusetemperatur
T_B	Capacitor base temperature	Temperatur des Gehäusebodens
t	Time	Zeit
Δt	Period	Zeitraum
t_b	Service life (operating hours)	Brauchbarkeitsdauer (Betriebszeit)



Symbol	English	German
V	Voltage	Spannung
V _F	Forming voltage	Formierspannung
V _{op}	Operating voltage	Betriebsspannung
V _R	Rated voltage, DC voltage	Nennspannung, Gleichspannung
V _S	Surge voltage	Spitzenspannung
X _C	Capacitive reactance	Kapazitiver Blindwiderstand
X _L	Inductive reactance	Induktiver Blindwiderstand
Z	Impedance	Scheinwiderstand
Z _T	Impedance at temperature T	Scheinwiderstand bei Temperatur T
tan δ	Dissipation factor	Verlustfaktor
λ	Failure rate	Ausfallrate
ε ₀	Absolute permittivity	Elektrische Feldkonstante
ε _r	Relative permittivity	Dielektrizitätszahl
ω	Angular velocity; 2 · π · f	Kreisfrequenz; 2 · π · f

Note

All dimensions are given in mm.

Important notes

The following applies to all products named in this publication:

1. Some parts of this publication contain **statements about the suitability of our products for certain areas of application**. These statements are based on our knowledge of typical requirements that are often placed on our products in the areas of application concerned. We nevertheless expressly point out **that such statements cannot be regarded as binding statements about the suitability of our products for a particular customer application**. As a rule, we are either unfamiliar with individual customer applications or less familiar with them than the customers themselves. For these reasons, it is always ultimately incumbent on the customer to check and decide whether a product with the properties described in the product specification is suitable for use in a particular customer application.
2. We also point out that **in individual cases, a malfunction of electronic components or failure before the end of their usual service life cannot be completely ruled out in the current state of the art, even if they are operated as specified**. In customer applications requiring a very high level of operational safety and especially in customer applications in which the malfunction or failure of an electronic component could endanger human life or health (e.g. in accident prevention or lifesaving systems), it must therefore be ensured by means of suitable design of the customer application or other action taken by the customer (e.g. installation of protective circuitry or redundancy) that no injury or damage is sustained by third parties in the event of malfunction or failure of an electronic component.
3. **The warnings, cautions and product-specific notes must be observed.**
4. In order to satisfy certain technical requirements, **some of the products described in this publication may contain substances subject to restrictions in certain jurisdictions (e.g. because they are classed as hazardous)**. Useful information on this will be found in our Material Data Sheets on the Internet (www.tdk-electronics.tdk.com/material). Should you have any more detailed questions, please contact our sales offices.
5. We constantly strive to improve our products. Consequently, **the products described in this publication may change from time to time**. The same is true of the corresponding product specifications. Please check therefore to what extent product descriptions and specifications contained in this publication are still applicable before or when you place an order. We also **reserve the right to discontinue production and delivery of products**. Consequently, we cannot guarantee that all products named in this publication will always be available. The aforementioned does not apply in the case of individual agreements deviating from the foregoing for customer-specific products.
6. Unless otherwise agreed in individual contracts, **all orders are subject to our General Terms and Conditions of Supply**.

Important notes

7. **Our manufacturing sites serving the automotive business apply the IATF 16949 standard.** The IATF certifications confirm our compliance with requirements regarding the quality management system in the automotive industry. Referring to customer requirements and customer specific requirements (“CSR”) TDK always has and will continue to have the policy of respecting individual agreements. Even if IATF 16949 may appear to support the acceptance of unilateral requirements, we hereby like to emphasize that **only requirements mutually agreed upon can and will be implemented in our Quality Management System.** For clarification purposes we like to point out that obligations from IATF 16949 shall only become legally binding if individually agreed upon.
8. The trade names EPCOS, CeraCharge, CeraDiode, CeraLink, CeraPad, CeraPlas, CSMP, CTVS, DeltaCap, DigiSiMic, ExoCore, FilterCap, FormFit, LeaXield, MiniBlue, MiniCell, MKD, MKK, MotorCap, PCC, PhaseCap, PhaseCube, PhaseMod, PhiCap, PowerHap, PQSine, PQvar, SIFERRIT, SIFI, SIKOREL, SilverCap, SIMDAD, SiMic, SIMID, SineFormer, SIOV, ThermoFuse, WindCap are **trademarks registered or pending** in Europe and in other countries. Further information will be found on the Internet at www.tdk-electronics.tdk.com/trademarks.

Release 2018-10