

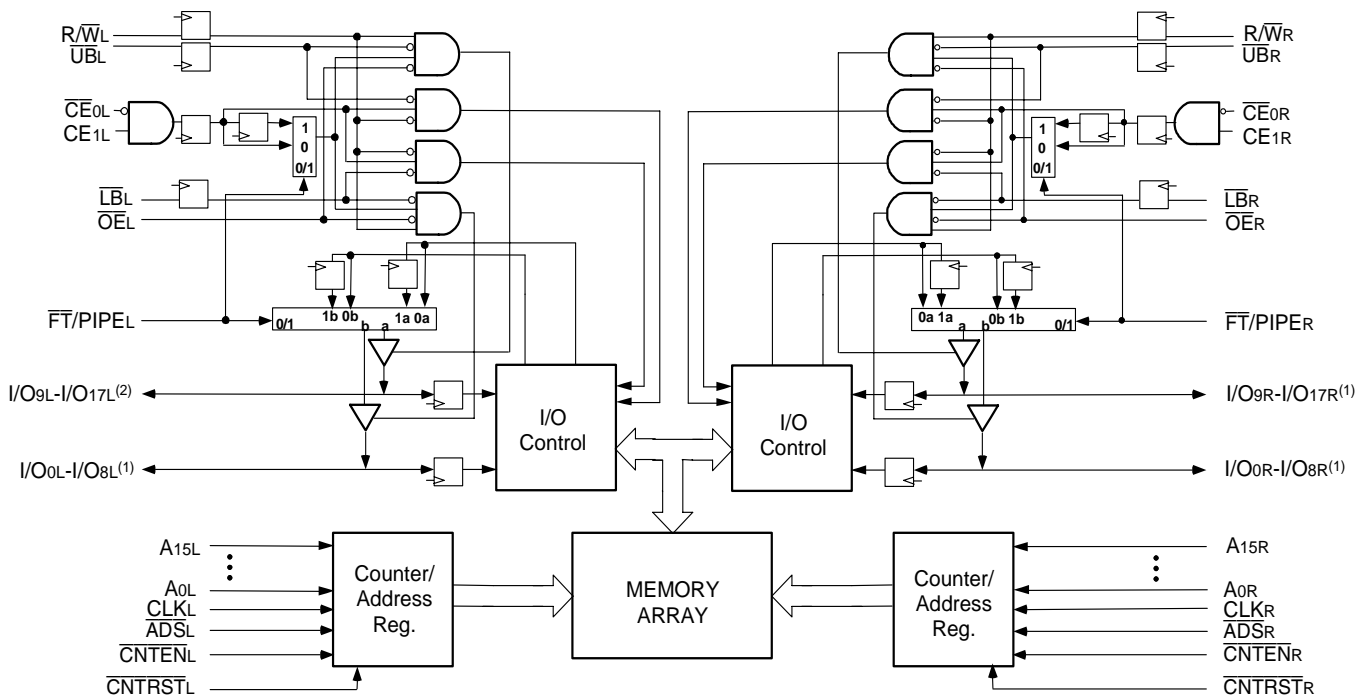
*SPECIFIED PART IS OBSOLETE NOT RECOMMENDED FOR NEW DESIGNS

Features:

- ♦ True Dual-Ported memory cells which allow simultaneous access of the same memory location
- ♦ High-speed clock to data access
 - Commercial: 7.5/9/12ns (max.)
 - Industrial: 9ns (max.)
- ♦ Low-power operation
 - IDT70V9389/289L
 - Active: 500mW (typ.)
 - Standby: 1.5mW (typ.)
- ♦ Flow-Through or Pipelined output mode on either port via the $\overline{\text{FT}}/\text{PIPE}$ pins
- ♦ Counter enable and reset features
- ♦ Dual chip enables allow for depth expansion without additional logic
- ♦ LVTTTL-compatible, single 3.3V ($\pm 0.3\text{V}$) power supply
- ♦ Full synchronous operation on both ports
 - 4ns setup to clock and 0ns hold on all control, data, and address inputs
 - Data input, address, and control registers
 - Fast 7.5ns clock to data out in the Pipelined output mode
 - Self-timed write allows fast cycle time
 - 12ns cycle time, 83MHz operation in Pipelined output mode
- ♦ Separate upper-byte and lower-byte controls for multiplexed bus and bus matching compatibility
- ♦ Industrial temperature range (-40°C to $+85^{\circ}\text{C}$) is available for selected speeds
- ♦ Available in a 128-pin Thin Quad Flatpack (TQFP) and 100-pin Thin Quad Flatpack (TQFP)
- ♦ Green parts available, see ordering information

Note that information regarding recently obsoleted parts is included in this datasheet for customer convenience.

Functional Block Diagram



4856 drw 01

NOTES:

1. I/O_{0x} - I/O_{7x} for IDT70V9289.
2. I/O_{8x} - I/O_{15x} for IDT70V9289.

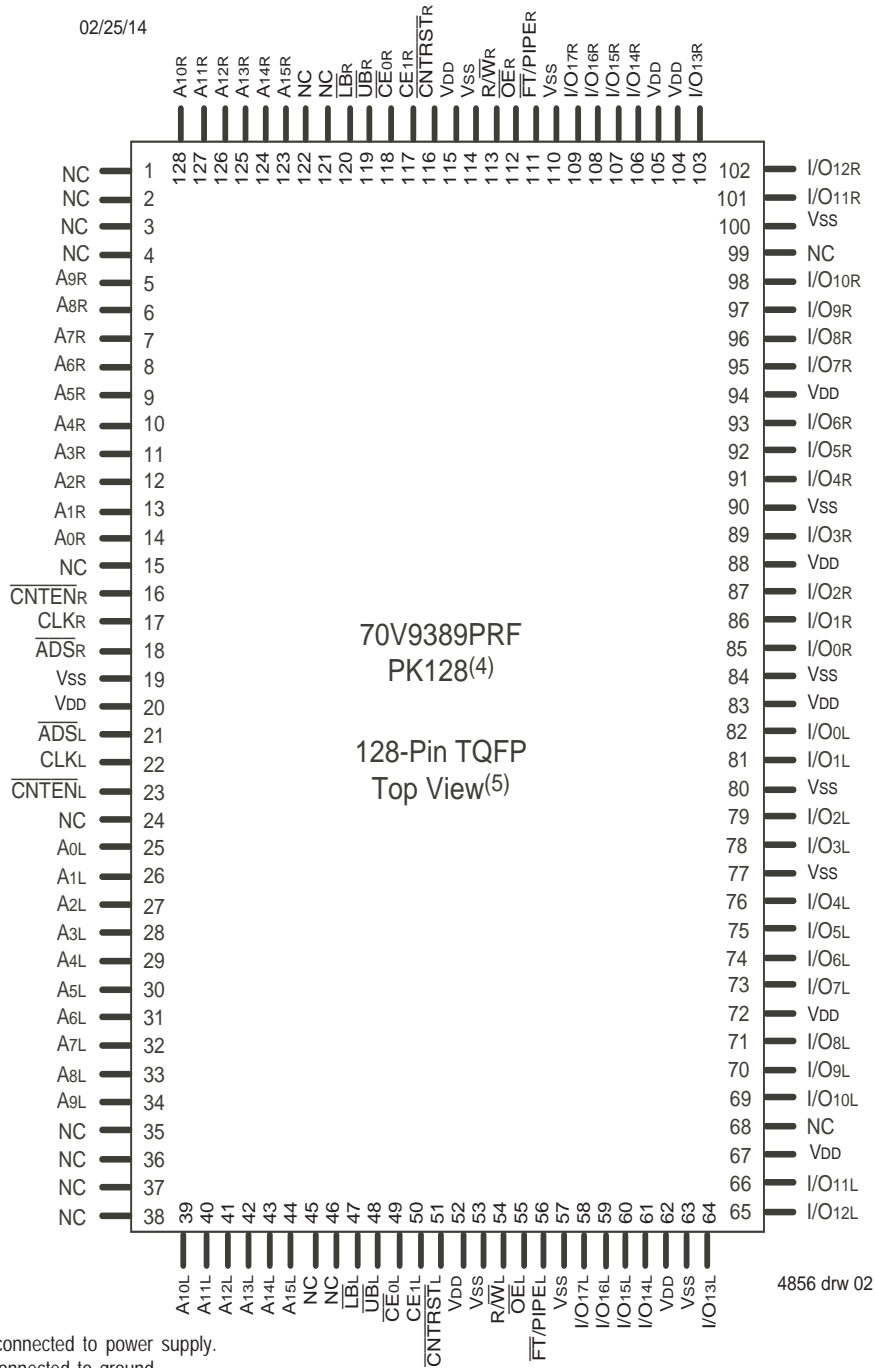
MARCH 2018

Description:

The IDT70V9389/289 is a high-speed 64K x 18 (64K x 16) bit synchronous Dual-Port RAM. The memory array utilizes Dual-Port memory cells to allow simultaneous access of any address from both ports. Registers on control, data, and address inputs provide minimal setup and hold times. The timing latitude provided by this approach allows systems to be designed with very short cycle times.

With an input data register, the IDT70V9389/289 has been optimized for applications having unidirectional or bidirectional data flow in bursts. An automatic power down feature, controlled by $\overline{CE0}$ and $CE1$, permits the on-chip circuitry of each port to enter a very low standby power mode. Fabricated using CMOS high-performance technology, these devices typically operate on only 500mW of power.

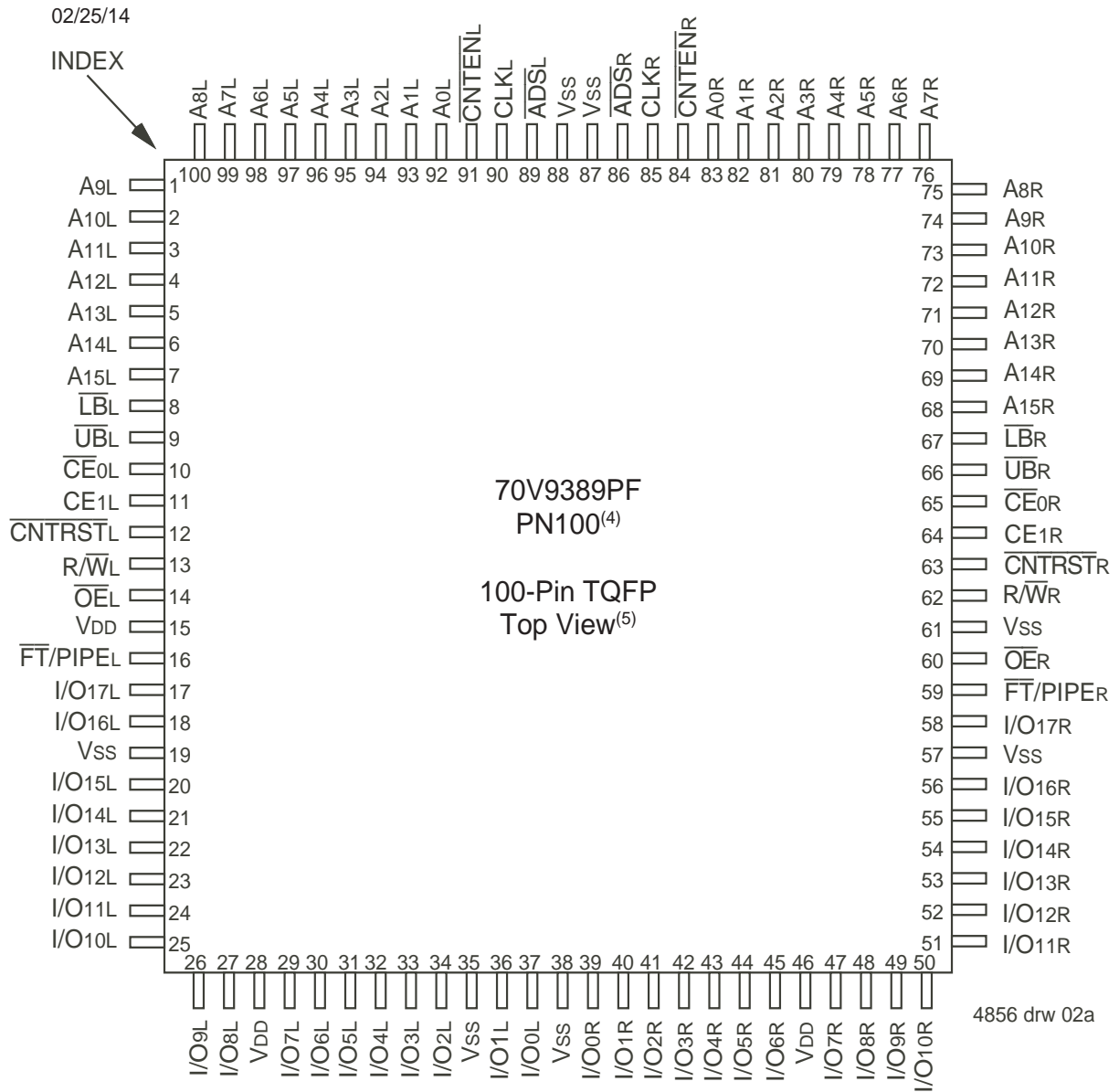
Pin Configuration^(1,2,3)



NOTES:

1. All VDD pins must be connected to power supply.
2. All VSS pins must be connected to ground.
3. Package body is approximately 14mm x 20mm x 1.4mm.
4. This package code is used to reference the package diagram.
5. This text does not indicate orientation of the actual part-marking.

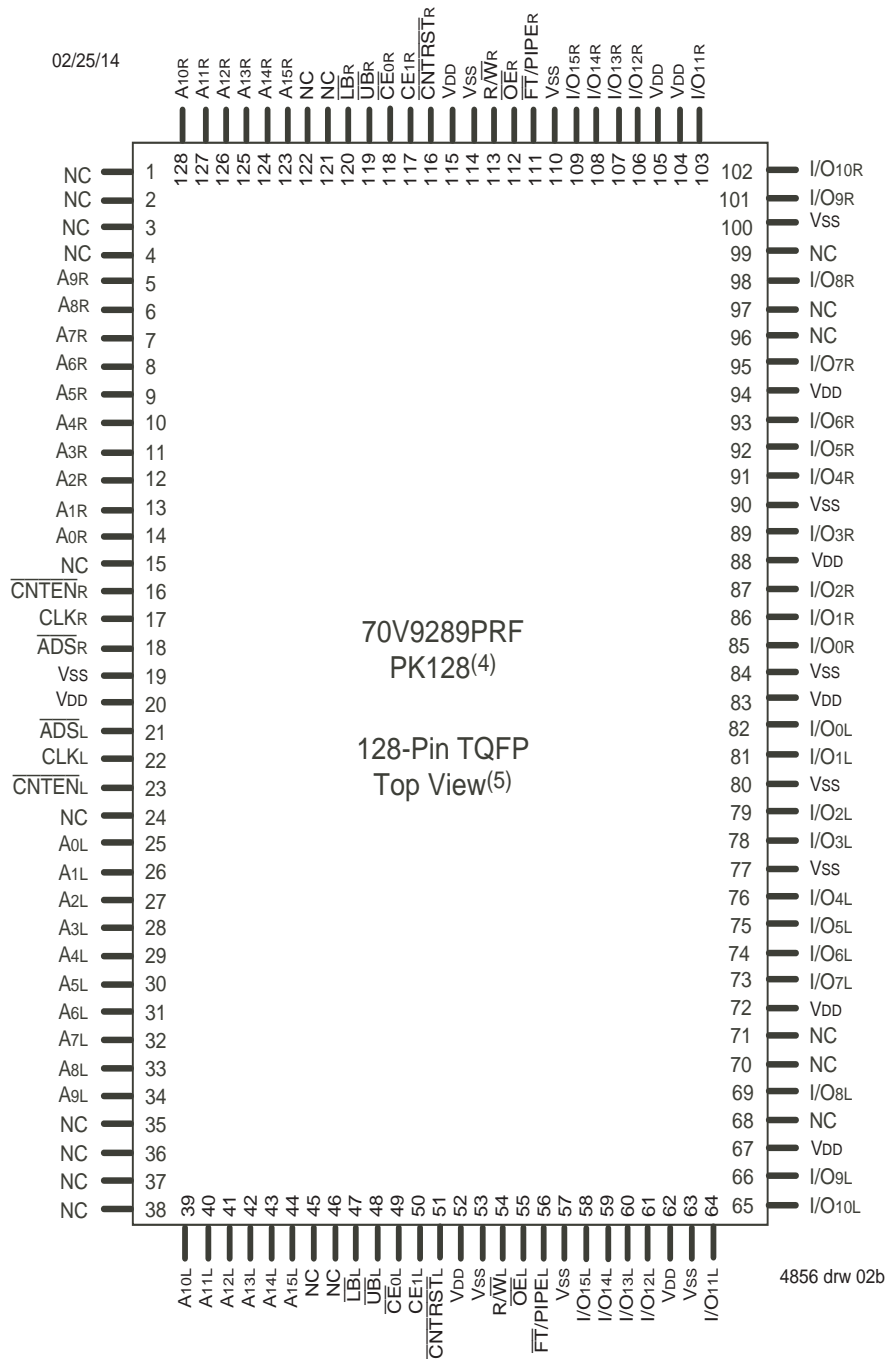
Pin Configurations^(1,2,3)(con't.)



NOTES:

1. All V_{DD} pins must be connected to power supply.
2. All V_{SS} pins must be connected to ground.
3. Package body is approximately 14mm x 14mm x 1.4mm
4. This package code is used to reference the package diagram.
5. This text does not indicate orientation of the actual part-marking.

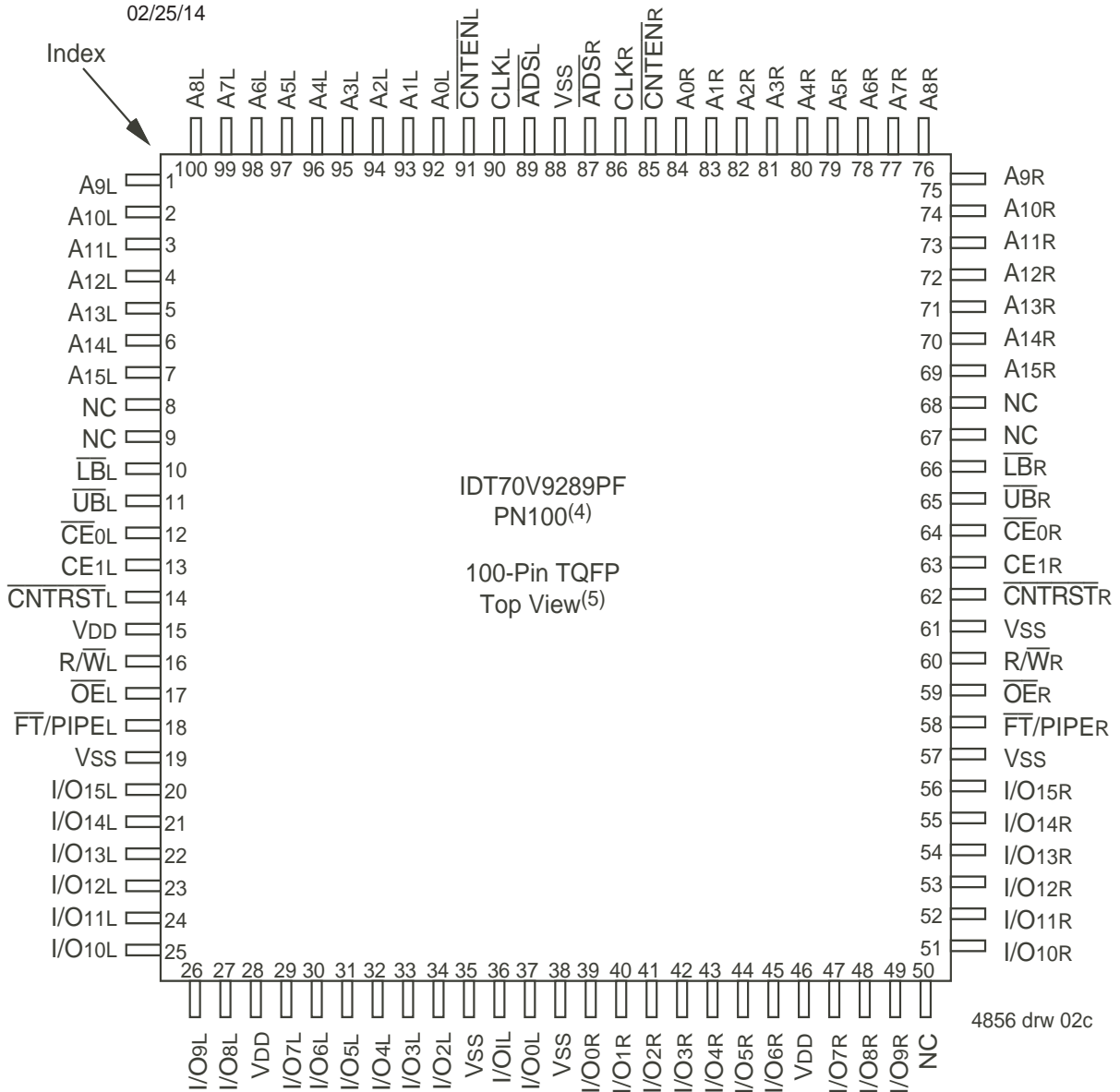
Pin Configurations^(1,2,3)(con't.)



NOTES:

1. All VDD pins must be connected to power supply.
2. All VSS pins must be connected to ground.
3. Package body is approximately 14mm x 20mm x 1.4mm.
4. This package code is used to reference the package diagram.
5. This text does not indicate orientation of the actual part-marking.

Pin Configurations^(1,2,3)(con't.)



NOTES:

1. All V_{DD} pins must be connected to power supply.
2. All V_{SS} pins must be connected to ground.
3. Package body is approximately 14mm x 14mm x 1.4mm
4. This package code is used to reference the package diagram.
5. This text does not indicate orientation of the actual part-marking.

Pin Names

| Left Port | Right Port | Names |
|---|---|----------------------------------|
| \overline{CE}_{0L} , CE _{1L} | \overline{CE}_{0R} , CE _{1R} | Chip Enables ⁽³⁾ |
| R \overline{W} L | R \overline{W} R | Read/Write Enable |
| \overline{OE} L | \overline{OE} R | Output Enable |
| A _{0L} - A _{15L} | A _{0R} - A _{15R} | Address |
| I/O _{0L} - I/O _{17L} ⁽¹⁾ | I/O _{0R} - I/O _{17R} ⁽¹⁾ | Data Input/Output |
| CLKL | CLKR | Clock |
| \overline{UB} L | \overline{UB} R | Upper Byte Select ⁽²⁾ |
| \overline{LB} L | \overline{LB} R | Lower Byte Select ⁽²⁾ |
| \overline{ADS} L | \overline{ADS} R | Address Strobe Enable |
| \overline{CNTEN} L | \overline{CNTEN} R | Counter Enable |
| \overline{CNRST} L | \overline{CNRST} R | Counter Reset |
| $\overline{FT/PIPE}$ L | $\overline{FT/PIPE}$ R | Flow-Through / Pipeline |
| VDD | | Power (3.3V) |
| VSS | | Ground (0V) |

4856 tbl 01

NOTES:

1. I/O_{0x} - I/O_{15x} for IDT70V9289.
2. \overline{LB} and \overline{UB} are single buffered regardless of state of $\overline{FT/PIPE}$.
3. \overline{CE}_0 and CE₁ are single buffered when $\overline{FT/PIPE} = V_{IL}$, \overline{CE}_0 and CE₁ are double buffered when $\overline{FT/PIPE} = V_{IH}$, i.e. the signals take two cycles to deselect.

Truth Table I—Read/Write and Enable Control^(1,2,3)

| \overline{OE} | CLK | \overline{CE}_0 ⁽⁵⁾ | CE ₁ ⁽⁵⁾ | \overline{UB} ⁽⁴⁾ | \overline{LB} ⁽⁴⁾ | R \overline{W} | Upper Byte I/O ₉₋₁₇ ⁽⁶⁾ | Lower Byte I/O ₀₋₈ ⁽⁷⁾ | MODE |
|-----------------|-----|----------------------------------|--------------------------------|--------------------------------|--------------------------------|------------------|---|--|--------------------------|
| X | ↑ | H | X | X | X | X | High-Z | High-Z | Deselected—Power Down |
| X | ↑ | X | L | X | X | X | High-Z | High-Z | Deselected—Power Down |
| X | ↑ | L | H | H | H | X | High-Z | High-Z | Both Bytes Deselected |
| X | ↑ | L | H | L | H | L | DIN | High-Z | Write to Upper Byte Only |
| X | ↑ | L | H | H | L | L | High-Z | DATA _{IN} | Write to Lower Byte Only |
| X | ↑ | L | H | L | L | L | DATA _{IN} | DATA _{IN} | Write to Both Bytes |
| L | ↑ | L | H | L | H | H | DATA _{OUT} | High-Z | Read Upper Byte Only |
| L | ↑ | L | H | H | L | H | High-Z | DATA _{OUT} | Read Lower Byte Only |
| L | ↑ | L | H | L | L | H | DATA _{OUT} | DATA _{OUT} | Read Both Bytes |
| H | X | L | H | L | L | X | High-Z | High-Z | Outputs Disabled |

4856 tbl 02

NOTES:

1. "H" = V_{IH}, "L" = V_{IL}, "X" = Don't Care.
2. \overline{ADS} , \overline{CNTEN} , \overline{CNRST} = X.
3. \overline{OE} is an asynchronous input signal.
4. \overline{LB} and \overline{UB} are single buffered regardless of state of $\overline{FT/PIPE}$.
5. \overline{CE}_0 and CE₁ are single buffered when $\overline{FT/PIPE} = V_{IL}$. \overline{CE}_0 and CE₁ are double buffered when $\overline{FT/PIPE} = V_{IH}$, i.e. the signals take two cycles to deselect.
6. I/O₈ - I/O₁₅ for IDT70V9289.
7. I/O₀ - I/O₇ for IDT70V9289.

Truth Table II—Address Counter Control^(1,2)

| External Address | Previous Internal Address | Internal Address Used | CLK | \overline{ADS} | \overline{CNTEN} | \overline{CNRST} | I/O ⁽³⁾ | MODE |
|------------------|---------------------------|-----------------------|-----|------------------|--------------------|--------------------|------------------------|---|
| X | X | 0 | ↑ | X | X | L ⁽⁴⁾ | D _{I/O} (0) | Counter Reset to Address 0 |
| A _n | X | A _n | ↑ | L ⁽⁴⁾ | X | H | D _{I/O} (n) | External Address Loaded into Counter |
| A _n | A _p | A _p | ↑ | H | H | H | D _{I/O} (p) | External Address Blocked—Counter disabled (A _p reused) |
| X | A _p | A _p + 1 | ↑ | H | L ⁽⁵⁾ | H | D _{I/O} (p+1) | Counter Enabled—Internal Address generation |

4856 tbl 03

NOTES:

- "H" = V_{IH}, "L" = V_{IL}, "X" = Don't Care.
- $\overline{CE0}$, \overline{LB} , \overline{UB} , and \overline{OE} = V_{IL}; CE₁ and \overline{RW} = V_{IH}.
- Outputs configured in Flow-Through Output mode; if outputs are in Pipelined mode the data out will be delayed by one cycle.
- \overline{ADS} and \overline{CNRST} are independent of all other signals including $\overline{CE0}$, CE₁, \overline{UB} and \overline{LB} .
- The address counter advances if \overline{CNTEN} = V_{IL} on the rising edge of CLK, regardless of all other signals including $\overline{CE0}$, CE₁, \overline{UB} and \overline{LB} .

Recommended Operating Temperature and Supply Voltage⁽¹⁾

| Grade | Ambient Temperature ⁽²⁾ | GND | V _{DD} |
|------------|------------------------------------|-----|-----------------|
| Commercial | 0°C to +70°C | 0V | 3.3V ± 0.3V |
| Industrial | -40°C to +85°C | 0V | 3.3V ± 0.3V |

4856 tbl 04

NOTE:

- This is the parameter T_A. This is the "instant on" case temperature.

Recommended DC Operating Conditions

| Symbol | Parameter | Min. | Typ. | Max. | Unit |
|-----------------|--------------------|---------------------|------|--------------------------------------|------|
| V _{DD} | Supply Voltage | 3.0 | 3.3 | 3.6 | V |
| V _{SS} | Ground | 0 | 0 | 0 | V |
| V _{IH} | Input High Voltage | 2.0 | — | V _{DD} +0.3V ⁽²⁾ | V |
| V _{IL} | Input Low Voltage | -0.3 ⁽¹⁾ | — | 0.8 | V |

4856 tbl 05

NOTES:

- V_{IL} ≥ -1.5V for pulse width less than 10 ns.
- V_{TERM} must not exceed V_{DD} +0.3V.

Absolute Maximum Ratings⁽¹⁾

| Symbol | Rating | Commercial & Industrial | Unit |
|----------------------------------|--------------------------------------|-------------------------|------|
| V _{TERM} ⁽²⁾ | Terminal Voltage with Respect to GND | -0.5 to +4.6 | V |
| T _{BIAS} ⁽³⁾ | Temperature Under Bias | -55 to +125 | °C |
| T _{STG} | Storage Temperature | -65 to +150 | °C |
| T _{JN} | Junction Temperature | +150 | °C |
| I _{OUT} | DC Output Current | 50 | mA |

4856 tbl 06

NOTES:

- Stresses greater than those listed under ABSOLUTE MAXIMUM RATINGS may cause permanent damage to the device. This is a stress rating only and functional operation of the device at these or any other conditions above those indicated in the operational sections of this specification is not implied. Exposure to absolute maximum rating conditions for extended periods may affect reliability.
- V_{TERM} must not exceed V_{DD} +0.3V for more than 25% of the cycle time or 10ns maximum, and is limited to ≤ 20mA for the period of V_{TERM} ≥ V_{DD} + 0.3V.
- Ambient Temperature Under DC Bias. No AC Conditions. Chip Deselected.

Capacitance⁽¹⁾

(T_A = +25°C, f = 1.0MHz)

| Symbol | Parameter | Conditions ⁽²⁾ | Max. | Unit |
|---------------------------------|--------------------|---------------------------|------|------|
| C _{IN} | Input Capacitance | V _{IN} = 3dV | 9 | pF |
| C _{OUT} ⁽³⁾ | Output Capacitance | V _{OUT} = 3dV | 10 | pF |

4856 tbl 07

NOTES:

- These parameters are determined by device characterization, but are not production tested.
- 3dV references the interpolated capacitance when the input and output switch from 0V to 3V or from 3V to 0V.
- C_{OUT} also references C_{I/O}.

DC Electrical Characteristics Over the Operating Temperature and Supply Voltage Range ($V_{DD} = 3.3V \pm 0.3V$)

| Symbol | Parameter | Test Conditions | 70V9389/289L | | Unit |
|-----------|--------------------------------------|---|--------------|------|---------|
| | | | Min. | Max. | |
| $ I_{L} $ | Input Leakage Current ⁽¹⁾ | $V_{DD} = 3.6V, V_{IN} = 0V \text{ to } V_{DD}$ | — | 5 | μA |
| $ I_{O} $ | Output Leakage Current | $\overline{CE} = V_{IH} \text{ or } CE_1 = V_{IL}, V_{OUT} = 0V \text{ to } V_{DD}$ | — | 5 | μA |
| V_{OL} | Output Low Voltage | $I_{OL} = +4mA$ | — | 0.4 | V |
| V_{OH} | Output High Voltage | $I_{OH} = -4mA$ | 2.4 | — | V |

4856 tbl 08

NOTE:

- At $V_{DD} \leq 2.0V$ input leakages are undefined.

DC Electrical Characteristics Over the Operating Temperature Supply Voltage Range⁽³⁾ ($V_{DD} = 3.3V \pm 0.3V$)

| Symbol | Parameter | Test Condition | Version | 70V9389/289L7 Com'l Only | | 70V9389/289L9 Com'l & Ind | | 70V9389/289L12 Com'l Only | | Unit | |
|----------|---|---|---------|--------------------------|------|---------------------------|------|---------------------------|------|------|----|
| | | | | Typ. ⁽⁴⁾ | Max. | Typ. ⁽⁴⁾ | Max. | Typ. ⁽⁴⁾ | Max. | | |
| I_{DD} | Dynamic Operating Current (Both Ports Active) | $\overline{CE}_L \text{ and } \overline{CE}_R = V_{IL}, \text{ Outputs Disabled, } f = f_{MAX}^{(1)}$ | COM'L | L | 200 | 250 | 175 | 230 | 150 | 200 | mA |
| | | | IND | L | — | — | 180 | 240 | — | — | |
| ISB1 | Standby Current (Both Ports - TTL Level Inputs) | $\overline{CE}_L = \overline{CE}_R = V_{IH}, f = f_{MAX}^{(1)}$ | COM'L | L | 50 | 75 | 40 | 65 | 30 | 50 | mA |
| | | | IND | L | — | — | 50 | 70 | — | — | |
| ISB2 | Standby Current (One Port - TTL Level Inputs) | $\overline{CE}^A = V_{IL} \text{ and } \overline{CE}^B = V_{IH}^{(5)}, \text{ Active Port Outputs Disabled, } f = f_{MAX}^{(1)}$ | COM'L | L | 130 | 165 | 110 | 145 | 95 | 130 | mA |
| | | | IND | L | — | — | 110 | 155 | — | — | |
| ISB3 | Full Standby Current (Both Ports - CMOS Level Inputs) | Both Ports \overline{CE}_L and $\overline{CE}_R \geq V_{DD} - 0.2V, V_{IN} \geq V_{DD} - 0.2V$ or $V_{IN} \leq 0.2V, f = 0^{(2)}$ | COM'L | L | 0.4 | 2 | 0.4 | 2 | 0.4 | 2 | mA |
| | | | IND | L | — | — | 0.4 | 2 | — | — | |
| ISB4 | Full Standby Current (One Port - CMOS Level Inputs) | $\overline{CE}^A \leq 0.2V \text{ and } \overline{CE}^B \geq V_{DD} - 0.2V^{(5)}, V_{IN} \geq V_{DD} - 0.2V$ or $V_{IN} \leq 0.2V, \text{ Active Port, Outputs Disabled, } f = f_{MAX}^{(1)}$ | COM'L | L | 130 | 160 | 100 | 140 | 90 | 125 | mA |
| | | | IND | L | — | — | 100 | 155 | — | — | |

4856 tbl 09a

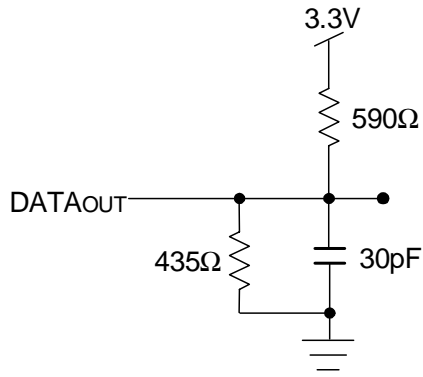
NOTES:

- At $f = f_{MAX}$, address and control lines (except Output Enable) are cycling at the maximum frequency clock cycle of $1/t_{CYC}$, using "AC TEST CONDITIONS" at input levels of GND to 3V.
- $f = 0$ means no address, clock, or control lines change. Applies only to input at CMOS level standby.
- Port "A" may be either left or right port. Port "B" is the opposite from port "A".
- $V_{DD} = 3.3V, T_A = 25^\circ C$ for Typ, and are not production tested. $I_{DD} dc(f=0) = 90mA$ (Typ).
- $\overline{CE}_X = V_{IL}$ means $\overline{CE}_{0X} = V_{IL}$ and $CE_{1X} = V_{IH}$
 $\overline{CE}_X = V_{IH}$ means $\overline{CE}_{0X} = V_{IH}$ or $CE_{1X} = V_{IL}$
 $\overline{CE}_X \leq 0.2V$ means $\overline{CE}_{0X} \leq 0.2V$ and $CE_{1X} \geq V_{DD} - 0.2V$
 $\overline{CE}_X \geq V_{DD} - 0.2V$ means $\overline{CE}_{0X} \geq V_{CC} - 0.2V$ or $CE_{1X} \leq 0.2V$
"X" represents "L" for left port or "R" for right port.

AC Test Conditions

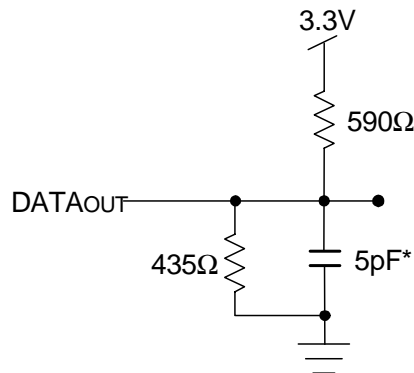
| | |
|-------------------------------|---------------------|
| Input Pulse Levels | GND to 3.0V |
| Input Rise/Fall Times | 3ns Max. |
| Input Timing Reference Levels | 1.5V |
| Output Reference Levels | 1.5V |
| Output Load | Figures 1, 2, and 3 |

4856 tbl 10



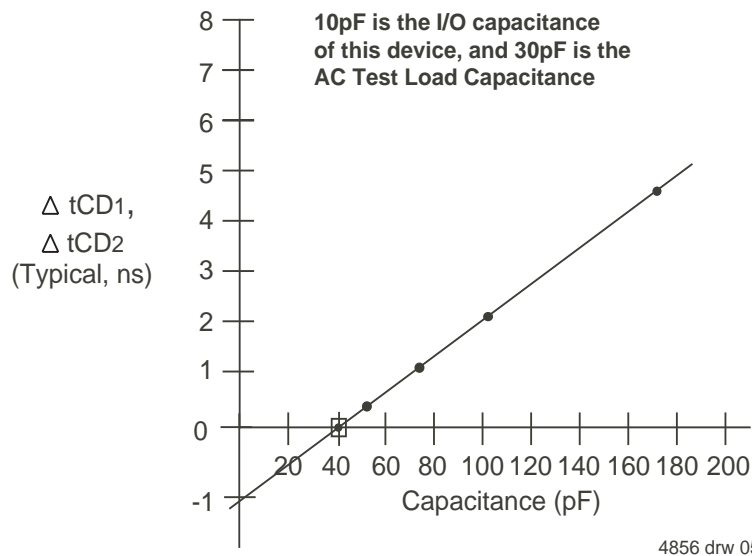
4856 drw 03

Figure 1. AC Output Test load.



4856 drw 04

Figure 2. Output Test Load
(For tckLZ, tckHZ, tolZ, and toHZ).
*Including scope and jig.



4856 drw 05

Figure 3. Typical Output Derating (Lumped Capacitive Load).

AC Electrical Characteristics Over the Operating Temperature Range (Read and Write Cycle Timing)⁽³⁾ ($V_{DD} = 3.3V \pm 0.3V$)

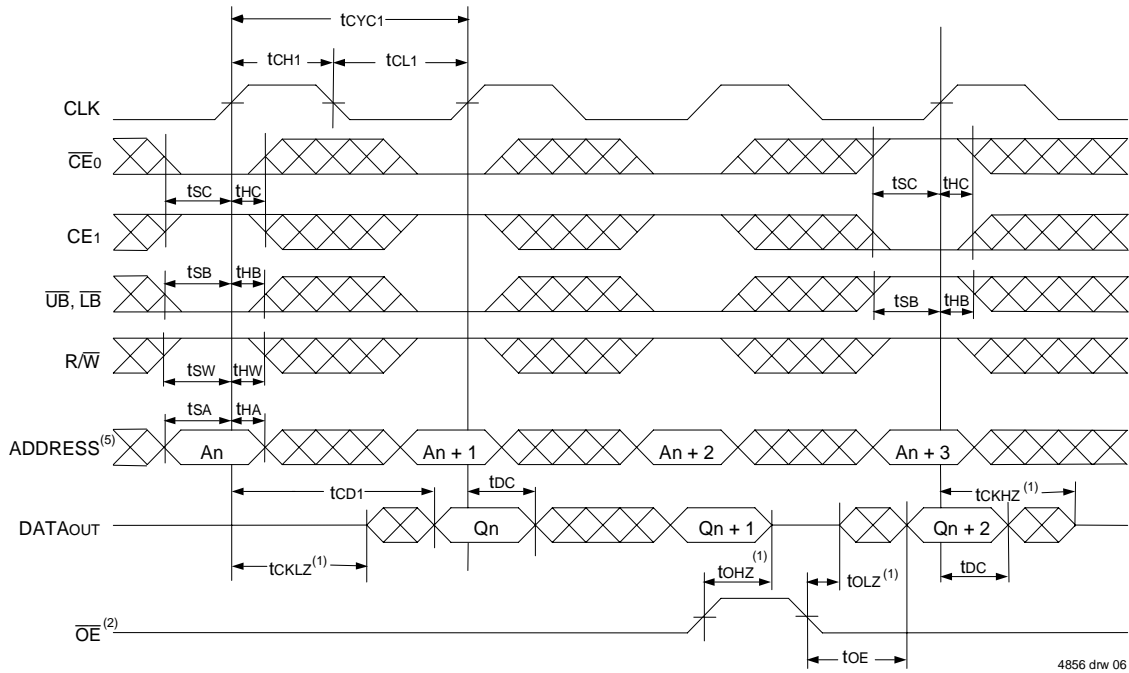
| Symbol | Parameter | 70V9389/289L7 Com'l Only | | 70V9389/289L9 Com'l & Ind | | 70V9389/289L12 Com'l Only | | Unit |
|---------------------------|---|-----------------------------|------|------------------------------|------|------------------------------|------|------|
| | | Min. | Max. | Min. | Max. | Min. | Max. | |
| t _{CYC1} | Clock Cycle Time (Flow-Through) ⁽²⁾ | 22 | — | 25 | — | 30 | — | ns |
| t _{CYC2} | Clock Cycle Time (Pipelined) ⁽²⁾ | 12 | — | 15 | — | 20 | — | ns |
| t _{CH1} | Clock High Time (Flow-Through) ⁽²⁾ | 7.5 | — | 12 | — | 12 | — | ns |
| t _{CL1} | Clock Low Time (Flow-Through) ⁽²⁾ | 7.5 | — | 12 | — | 12 | — | ns |
| t _{CH2} | Clock High Time (Pipelined) ⁽²⁾ | 5 | — | 6 | — | 8 | — | ns |
| t _{CL2} | Clock Low Time (Pipelined) ⁽²⁾ | 5 | — | 6 | — | 8 | — | ns |
| t _R | Clock Rise Time | — | 3 | — | 3 | — | 3 | ns |
| t _F | Clock Fall Time | — | 3 | — | 3 | — | 3 | ns |
| t _{SA} | Address Setup Time | 4 | — | 4 | — | 4 | — | ns |
| t _{HA} | Address Hold Time | 0 | — | 1 | — | 1 | — | ns |
| t _{SC} | Chip Enable Setup Time | 4 | — | 4 | — | 4 | — | ns |
| t _{HC} | Chip Enable Hold Time | 0 | — | 1 | — | 1 | — | ns |
| t _{SB} | Byte Enable Setup Time | 4 | — | 4 | — | 4 | — | ns |
| t _{HB} | Byte Enable Hold Time | 0 | — | 1 | — | 1 | — | ns |
| t _{SW} | R/W Setup Time | 4 | — | 4 | — | 4 | — | ns |
| t _{HW} | R/W Hold Time | 0 | — | 1 | — | 1 | — | ns |
| t _{SD} | Input Data Setup Time | 4 | — | 4 | — | 4 | — | ns |
| t _{HD} | Input Data Hold Time | 0 | — | 1 | — | 1 | — | ns |
| t _{SAD} | \overline{ADS} Setup Time | 4 | — | 4 | — | 4 | — | ns |
| t _{HAD} | \overline{ADS} Hold Time | 0 | — | 1 | — | 1 | — | ns |
| t _{SCN} | \overline{CNTEN} Setup Time | 4 | — | 4 | — | 4 | — | ns |
| t _{HCN} | \overline{CNTEN} Hold Time | 0 | — | 1 | — | 1 | — | ns |
| t _{SRST} | \overline{CNTRST} Setup Time | 4 | — | 4 | — | 4 | — | ns |
| t _{HRST} | \overline{CNTRST} Hold Time | 0 | — | 1 | — | 1 | — | ns |
| t _{OE} | Output Enable to Data Valid | — | 7.5 | — | 9 | — | 12 | ns |
| t _{OLZ} | Output Enable to Output Low-Z ⁽¹⁾ | 2 | — | 2 | — | 2 | — | ns |
| t _{OHZ} | Output Enable to Output High-Z ⁽¹⁾ | 1 | 7 | 1 | 7 | 1 | 7 | ns |
| t _{CD1} | Clock to Data Valid (Flow-Through) ⁽²⁾ | — | 18 | — | 20 | — | 25 | ns |
| t _{CD2} | Clock to Data Valid (Pipelined) ⁽²⁾ | — | 7.5 | — | 9 | — | 12 | ns |
| t _{DC} | Data Output Hold After Clock High | 2 | — | 2 | — | 2 | — | ns |
| t _{CKHZ} | Clock High to Output High-Z ⁽¹⁾ | 2 | 9 | 2 | 9 | 2 | 9 | ns |
| t _{CKLZ} | Clock High to Output Low-Z ⁽¹⁾ | 2 | — | 2 | — | 2 | — | ns |
| Port-to-Port Delay | | | | | | | | |
| t _{CWDD} | Write Port Clock High to Read Data Delay | — | 28 | — | 35 | — | 40 | ns |
| t _{CCS} | Clock-to-Clock Setup Time | — | 10 | — | 15 | — | 15 | ns |

4856 tbl 11a

NOTES:

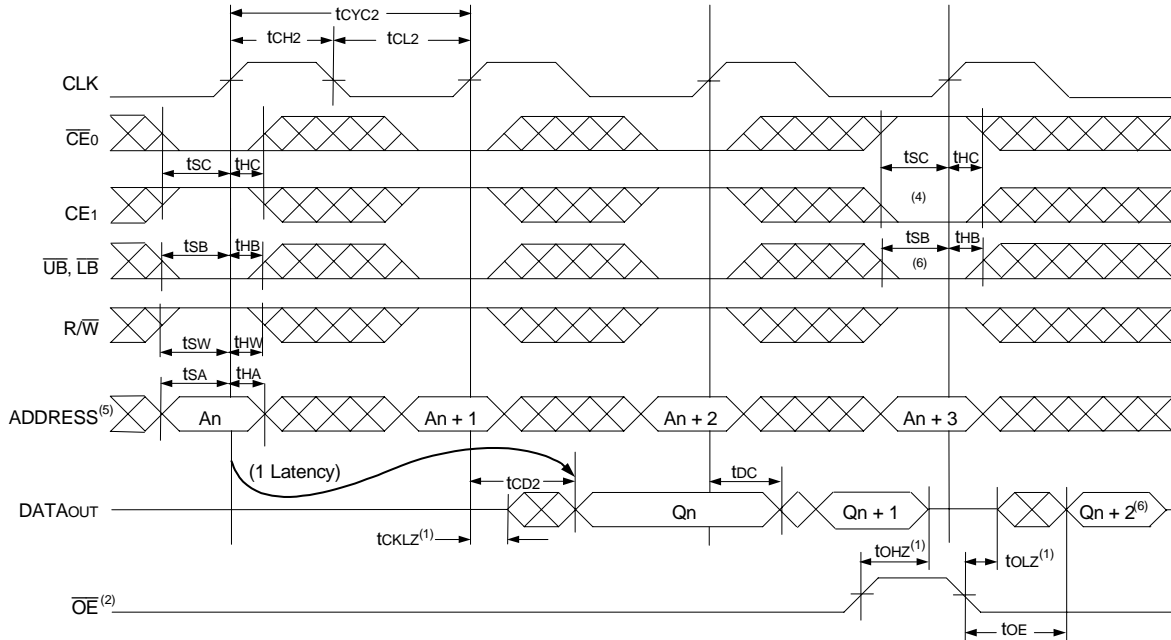
- Transition is measured 0mV from Low or High-impedance voltage with the Output Test Load (Figure 2). This parameter is guaranteed by device characterization, but is not production tested.
- The Pipelined output parameters (t_{CYC2}, t_{CD2}) apply to either or both the Left and Right ports when $\overline{FT}/PIPE = V_{IH}$. Flow-through parameters (t_{CYC1}, t_{CD1}) apply when $\overline{FT}/PIPE = V_{IL}$ for that port.
- All input signals are synchronous with respect to the clock except for the asynchronous Output Enable (\overline{OE}), $\overline{FT}/PIPE_R$, and $\overline{FT}/PIPE_L$.

Timing Waveform of Read Cycle for Flow-Through Output ($\overline{\text{FT}}/\text{PIPE}^{\text{X}} = \text{V}_{\text{IL}}$)^(3,7)



4856 drw 06

Timing Waveform of Read Cycle for Pipelined Operation ($\overline{\text{FT}}/\text{PIPE}^{\text{X}} = \text{V}_{\text{IH}}$)^(3,7)

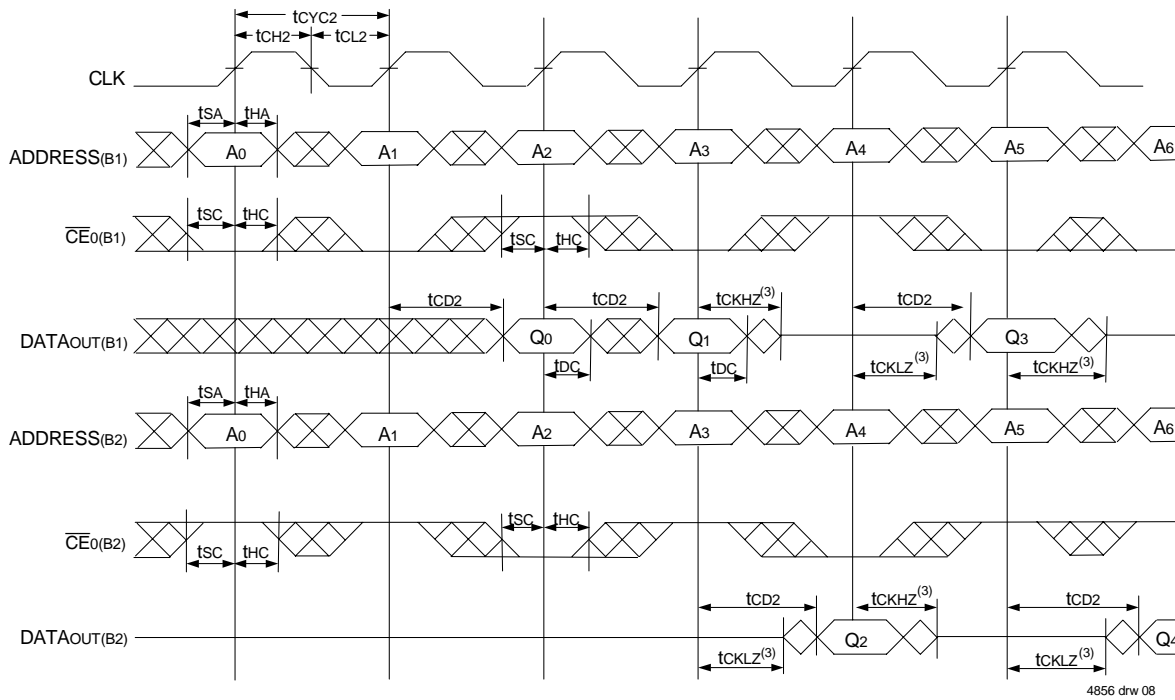


4856 drw 07

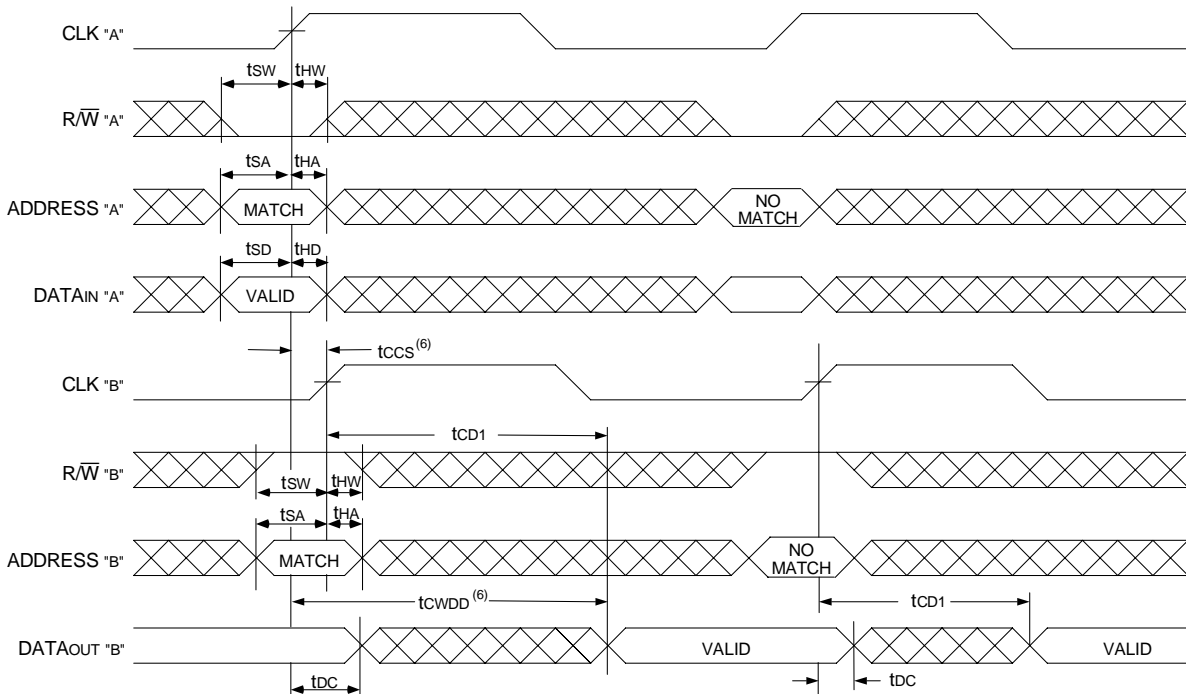
NOTES:

1. Transition is measured 0mV from Low or High-impedance voltage with the Output Test Load (Figure 2).
2. $\overline{\text{OE}}$ is asynchronously controlled; all other inputs are synchronous to the rising clock edge.
3. $\overline{\text{ADS}} = \text{V}_{\text{IL}}$ and $\overline{\text{CNTRST}} = \text{V}_{\text{IH}}$.
4. The output is disabled (High-Impedance state) by $\overline{\text{CE}}_0 = \text{V}_{\text{IH}}$, $\text{CE}_1 = \text{V}_{\text{IL}}$, $\overline{\text{UB}} = \text{V}_{\text{IH}}$, or $\overline{\text{LB}} = \text{V}_{\text{IH}}$ following the next rising edge of the clock. Refer to Truth Table 1.
5. Addresses do not have to be accessed sequentially since $\overline{\text{ADS}} = \text{V}_{\text{IL}}$ constantly loads the address on the rising edge of the CLK; numbers are for reference use only.
6. If $\overline{\text{UB}}$ or $\overline{\text{LB}}$ was HIGH, then the Upper Byte and/or Lower Byte of DATAOUT for $\text{Q}_{\text{n}+2}$ would be disabled (High-Impedance state).
7. "X" here denotes Left or Right port. The diagram is with respect to that port.

Timing Waveform of a Bank Select Pipelined Read^(1,2)



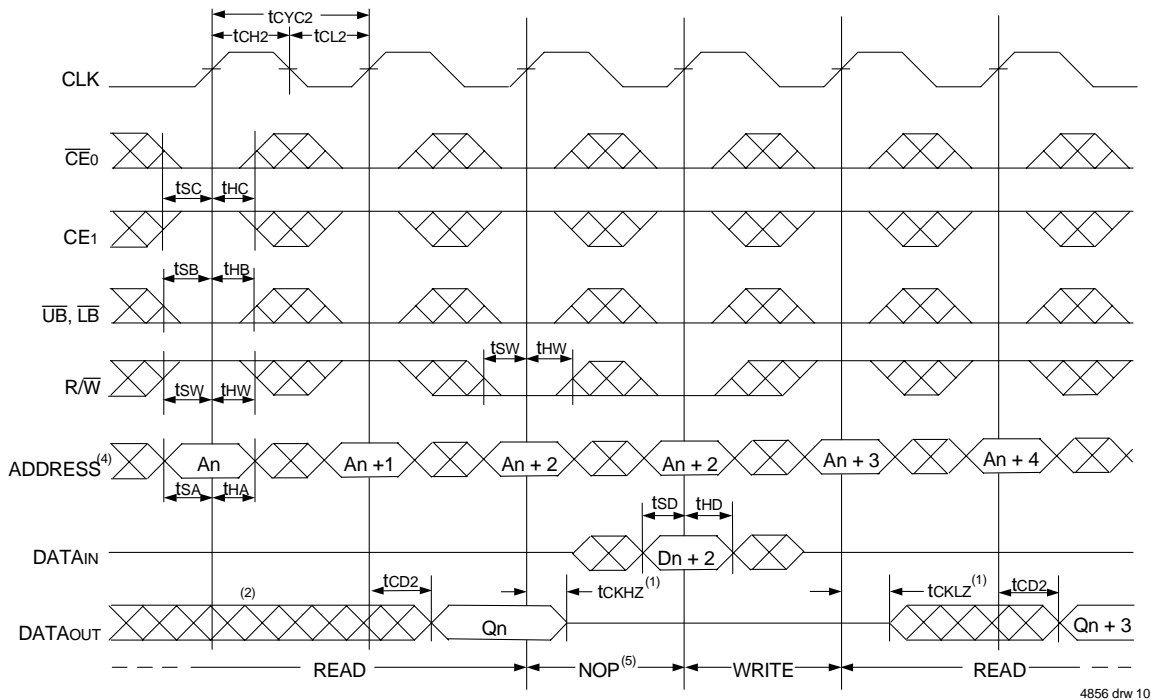
Timing Waveform with Port-to-Port Flow-Through Read^(4,5,7)



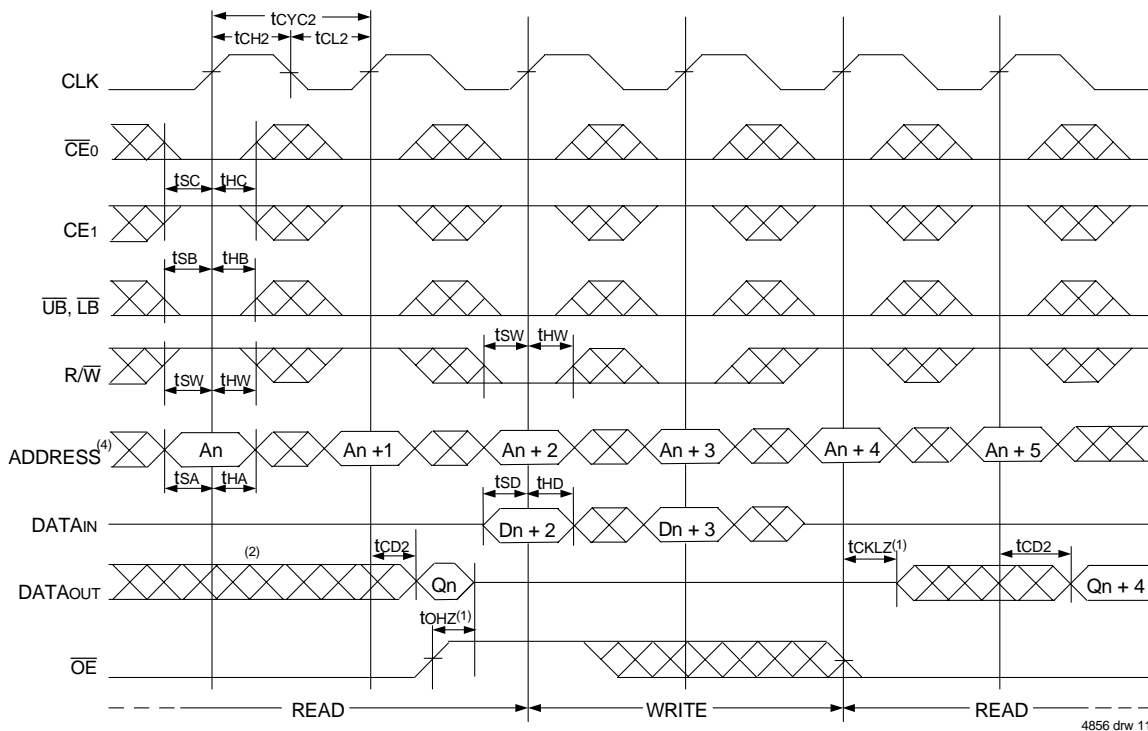
NOTES:

1. B1 Represents Bank #1; B2 Represents Bank #2. Each Bank consists of one IDT70V9389 or IDT70V9289 for this waveform, and are setup for depth expansion in this example. ADDRESS_(B1) = ADDRESS_(B2) in this situation.
2. \overline{UB} , \overline{LB} , \overline{OE} , and \overline{ADS} = V_{IL}; CE_{1(B1)}, CE_{1(B2)}, R/W and CNTRST = V_{IH}.
3. Transition is measured 0mV from Low or High-impedance voltage with the Output Test Load (Figure 2).
4. $\overline{CE_0}$, \overline{UB} , \overline{LB} , and \overline{ADS} = V_{IL}; CE₁ and CNTRST = V_{IH}.
5. \overline{OE} = V_{IL} for the Right Port, which is being read from. \overline{OE} = V_{IH} for the Left Port, which is being written to.
6. If $t_{CCS} \leq$ maximum specified, then data from right port READ is not valid until the maximum specified for t_{CWDD} . If $t_{CCS} >$ maximum specified, then data from right port READ is not valid until $t_{CCS} + t_{CD1}$. t_{CWDD} does not apply in this case.
7. All timing is the same for both Left and Right ports. Port "A" may be either Left or Right port. Port "B" is the opposite from Port "A".

Timing Waveform of Pipelined Read-to-Write-to-Read ($\overline{OE} = V_{IL}$)⁽³⁾



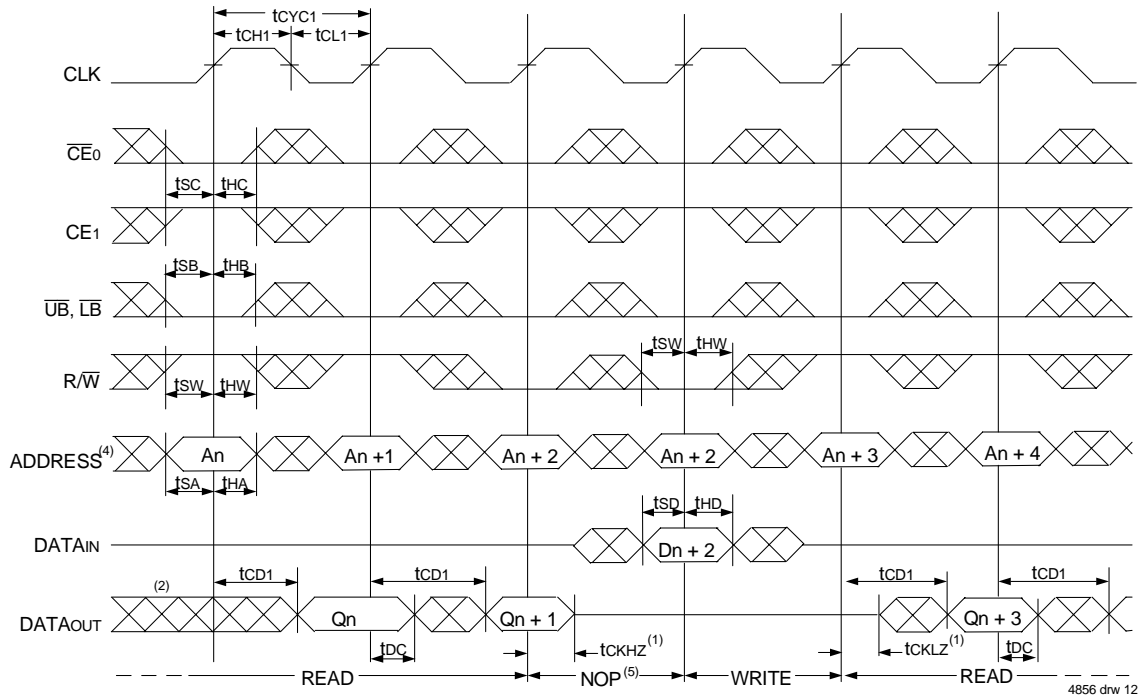
Timing Waveform of Pipelined Read-to-Write-to-Read (\overline{OE} Controlled)⁽³⁾



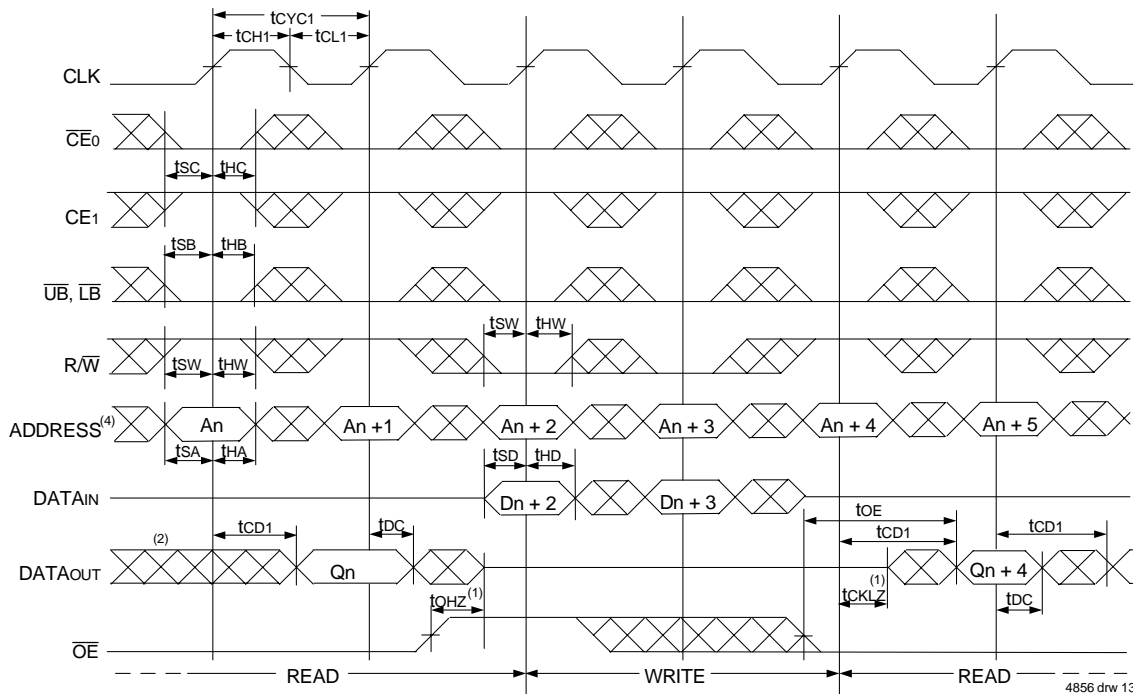
NOTES:

1. Transition is measured 0mV from Low or High-impedance voltage with the Output Test Load (Figure 2).
2. Output state (High, Low, or High-impedance) is determined by the previous cycle control signals.
3. \overline{CE}_0 , \overline{UB} , \overline{LB} , and $\overline{ADS} = V_{IL}$; CE_1 and $\overline{CNTRST} = V_{IH}$. "NOP" is "No Operation".
4. Addresses do not have to be accessed sequentially since $\overline{ADS} = V_{IL}$ constantly loads the address on the rising edge of the CLK; numbers are for reference use only.
5. "NOP" is "No Operation." Data in memory at the selected address may be corrupted and should be re-written to guarantee data integrity.

Timing Waveform of Flow-Through Read-to-Write-to-Read ($\overline{OE} = V_{IL}$)⁽³⁾



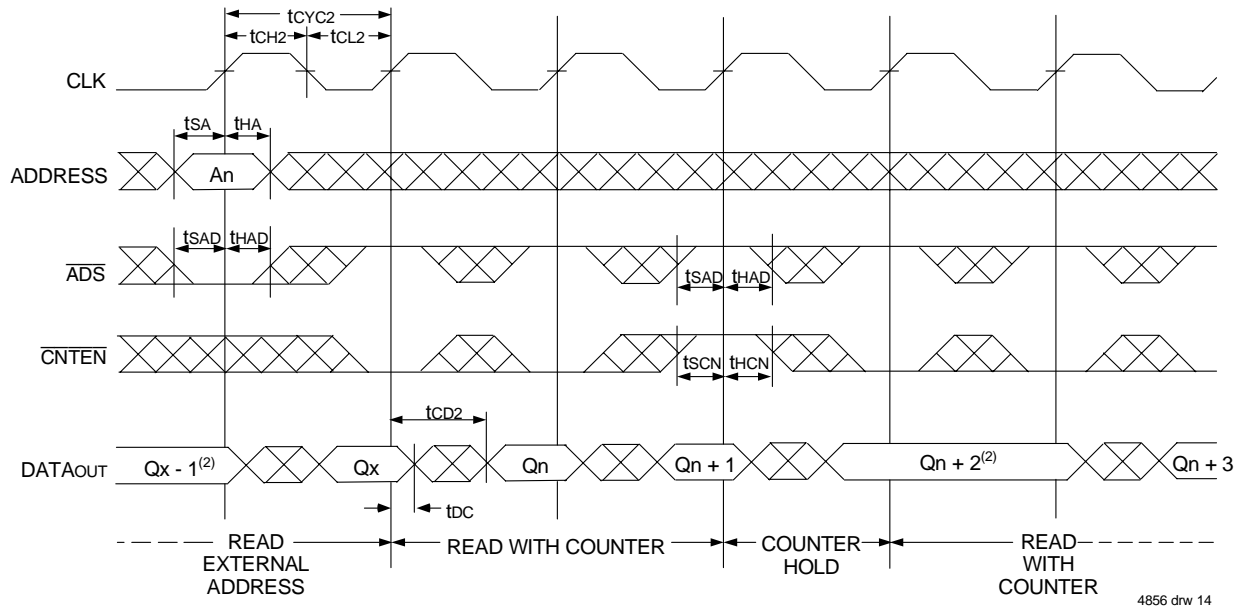
Timing Waveform of Flow-Through Read-to-Write-to-Read (\overline{OE} Controlled)⁽³⁾



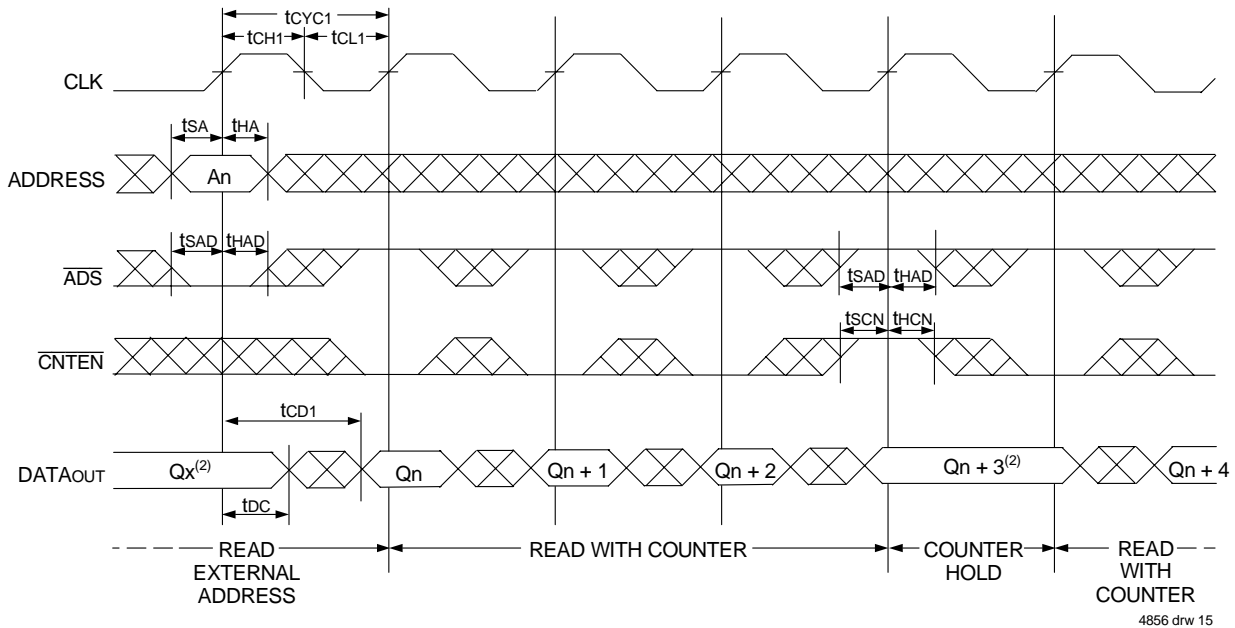
NOTES:

1. Transition is measured 0mV from Low or High-impedance voltage with the Output Test Load (Figure 2).
2. Output state (High, Low, or High-impedance) is determined by the previous cycle control signals.
3. $\overline{CE0}$, \overline{UB} , \overline{LB} , and $\overline{ADS} = V_{IL}$; $CE1$ and $\overline{CNTRST} = V_{IH}$. "NOP" is "No Operation".
4. Addresses do not have to be accessed sequentially since $\overline{ADS} = V_{IL}$ constantly loads the address on the rising edge of the CLK; numbers are for reference use only.
5. "NOP" is "No Operation." Data in memory at the selected address may be corrupted and should be re-written to guarantee data integrity.

Timing Waveform of Pipelined Read with Address Counter Advance⁽¹⁾



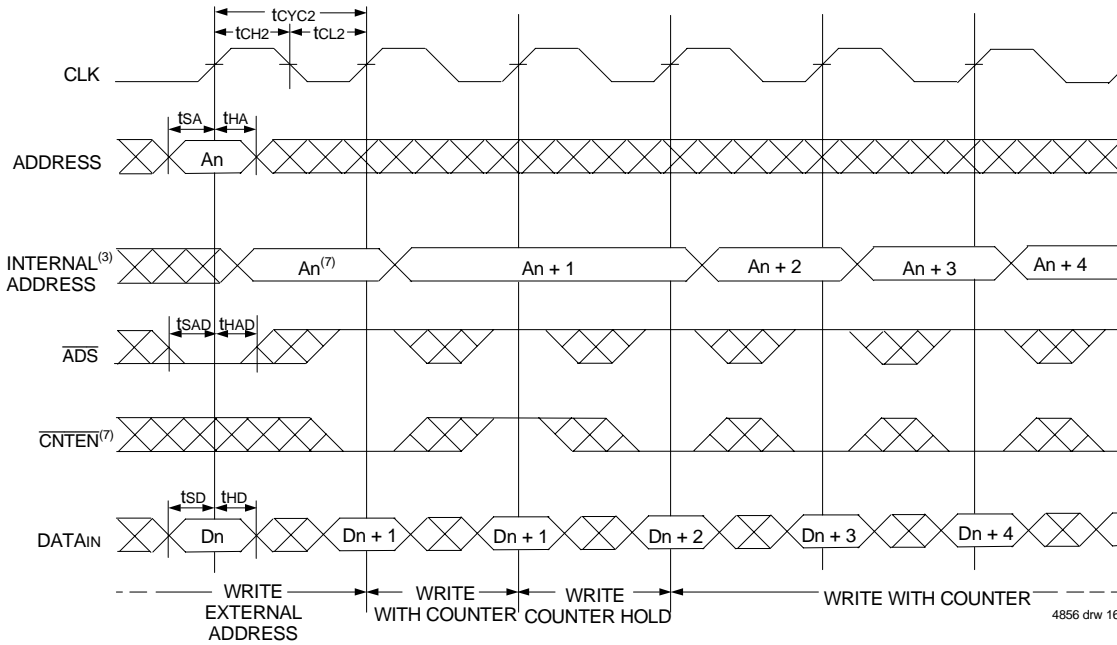
Timing Waveform of Flow-Through Read with Address Counter Advance⁽¹⁾



NOTES:

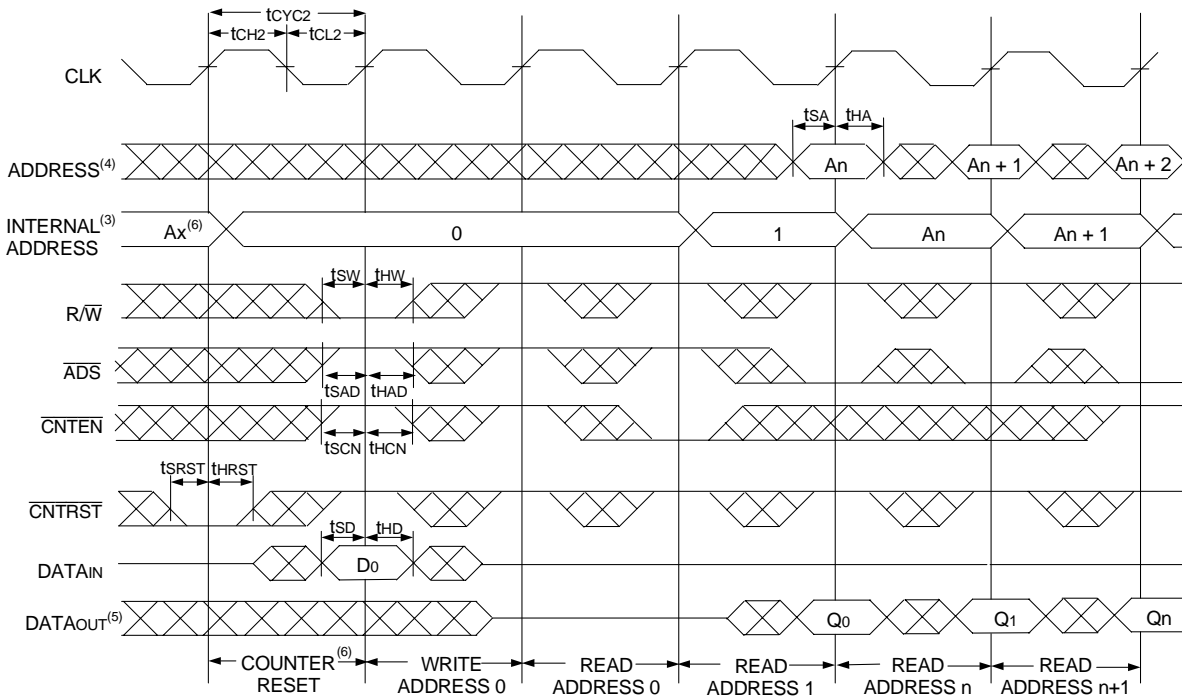
1. $\overline{CE_0}$, \overline{OE} , \overline{UB} , and $\overline{LB} = V_{IL}$; CE_1 , R/\overline{W} , and $\overline{CNTNST} = V_{IH}$.
2. If there is no address change via $\overline{ADS} = V_{IL}$ (loading a new address) or $\overline{CNTEN} = V_{IL}$ (advancing the address), i.e. $\overline{ADS} = V_{IH}$ and $\overline{CNTEN} = V_{IH}$, then the data output remains constant for subsequent clocks.

Timing Waveform of Write with Address Counter Advance (Flow-Through or Pipelined Outputs)⁽¹⁾



4856 drw 16

Timing Waveform of Counter Reset (Pipelined Outputs)⁽²⁾



4856 drw 17

NOTES:

1. \overline{CE}_0 , \overline{UB} , \overline{LB} , and $\overline{R/W} = V_{IL}$; CE_1 and $\overline{CNTRST} = V_{IH}$.
2. \overline{CE}_0 , \overline{UB} , $\overline{LB} = V_{IL}$; $CE_1 = V_{IH}$.
3. The "Internal Address" is equal to the "External Address" when $\overline{ADS} = V_{IL}$ and equals the counter output when $\overline{ADS} = V_{IH}$.
4. Addresses do not have to be accessed sequentially since $\overline{ADS} = V_{IL}$ constantly loads the address on the rising edge of the CLK; numbers are for reference use only.
5. Output state (High, Low, or High-impedance) is determined by the previous cycle control signals.
6. No dead cycle exists during counter reset. A READ or WRITE cycle may be coincidental with the counter reset cycle. ADDR₀ will be accessed. Extra cycles are shown here simply for clarification.
7. $\overline{CNTEN} = V_{IL}$ advances Internal Address from 'An' to 'An +1'. The transition shown indicates the time required for the counter to advance. The 'An +1' Address is written to during this cycle.

Functional Description

The IDT70V9389/289 provides a true synchronous Dual-Port Static RAM interface. Registered inputs provide minimal set-up and hold times on address, data, and all critical control inputs. All internal registers are clocked on the rising edge of the clock signal, however, the self-timed internal write pulse is independent of the LOW to HIGH transition of the clock signal.

An asynchronous output enable is provided to ease asynchronous bus interfacing. Counter enable inputs are also provided to staff the operation of the address counters for fast interleaved memory applications.

$\overline{CE}_0 = V_{IH}$ or $CE_1 = V_{IL}$ for one clock cycle will power down the internal circuitry to reduce static power consumption. Multiple chip enables allow easier banking of multiple IDT70V9389/289's for depth expansion configurations. When the Pipelined output mode is enabled, two cycles are required with $\overline{CE}_0 = V_{IL}$ and $CE_1 = V_{IH}$ to re-activate the outputs.

Depth and Width Expansion

The IDT70V9389/289 features dual chip enables (refer to Truth Table I) in order to facilitate rapid and simple depth expansion with no requirements for external logic. Figure 4 illustrates how to control the various chip enables in order to expand two devices in depth.

The IDT70V9389/289 can also be used in applications requiring expanded width, as indicated in Figure 4. Since the banks are allocated at the discretion of the user, the external controller can be set up to drive the input signals for the various devices as required to allow for 36/32-bit or wider applications.

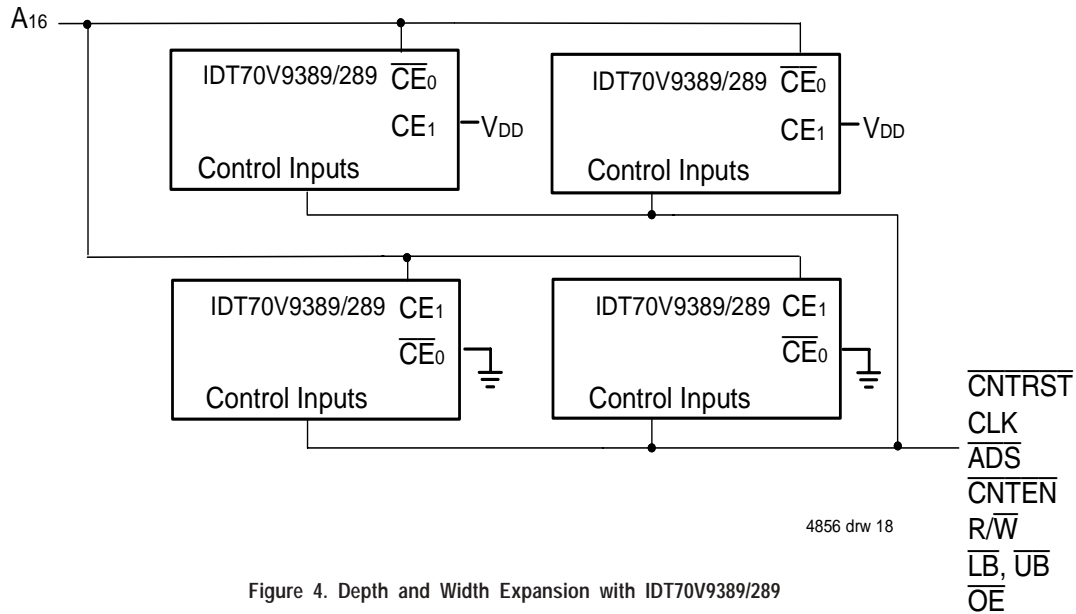
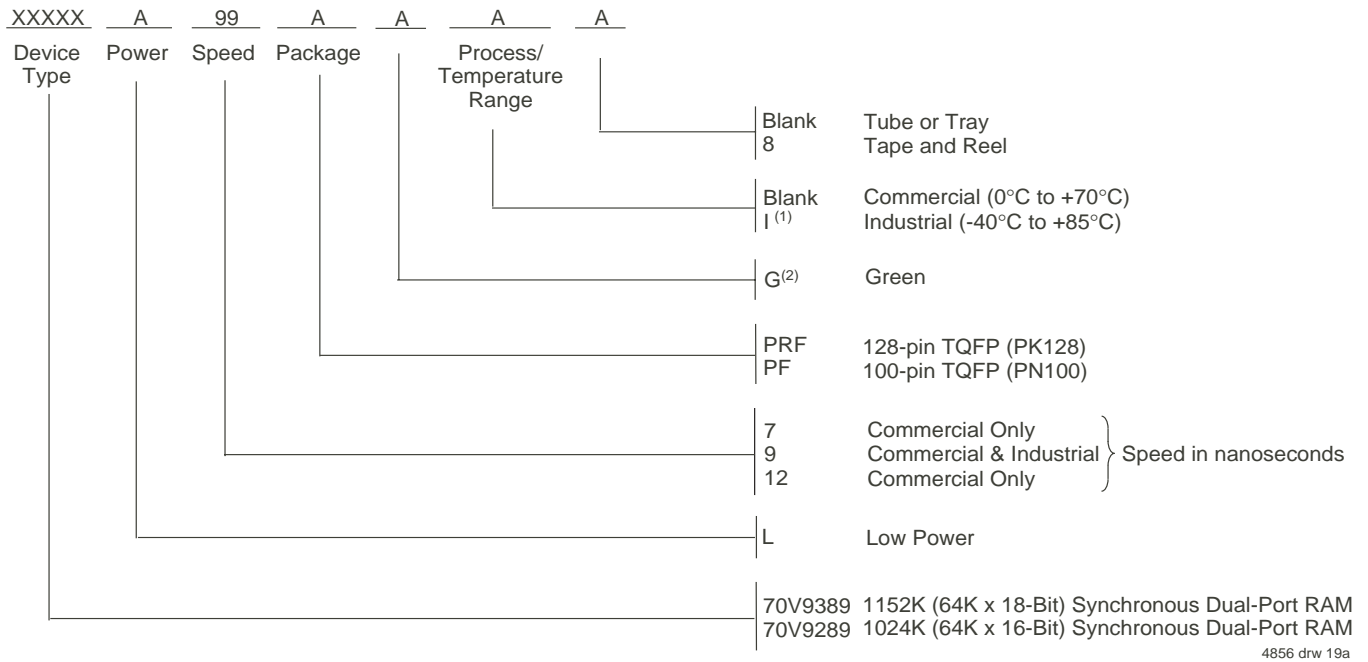


Figure 4. Depth and Width Expansion with IDT70V9389/289

Ordering Information



NOTES:

- Industrial temperature range is available. For specific speeds, packages and powers contact your sales office.
- Green parts available. For specific speeds, packages and powers contact your local sales office.

LEAD FINISH (SnPb) parts are Obsolete. Product Discontinuation Notice - PDN# SP-17-02

Note that information regarding recently obsoleted parts is included in this datasheet for customer convenience.

IDT Clock Solution for IDT70V9389/289 Dual-Port

| IDT Dual-Port Part Number | Dual-Port I/O Specifications | | Dual-Port Clock Specifications | | | | IDT PLL Clock Devices | IDT Non-PLL Clock Devices |
|---------------------------|------------------------------|-------|--------------------------------|------------------------------|-------------------|------------------|-------------------------------|--|
| | Voltage | I/O | Input Capacitance | Input Duty Cycle Requirement | Maximum Frequency | Jitter Tolerance | | |
| 70V9389/289 | 3.3 | LVTTL | 9pF | 40% | 100 | 150ps | IDT2305 IDT2308 IDT2309 | 49FCT3805 49FCT3805D/E 74FCT3807 74FCT3807D/E |

4856 tbl12

Datasheet Document History

| | | |
|-----------|--------------------|---|
| 09/30/99: | | Initial Public Release |
| 11/12/99: | | Replaced IDT logo |
| 06/23/00: | Page 3 | Changed information in Truth Table II |
| | Page 4 | Increased storage temperature parameters Clarified TA parameter |
| | Page 5 | DC Electrical parameters—changed wording from "open" to "disabled" Changed $\pm 200\text{mV}$ to 0mV in notes |
| 04/09/03: | | Consolidated multiple devices into one datasheet Changed naming conventions from VCC to VDD and from GND to VSS |
| | Page 3 & 5 | Added PN-100 TQFP pin configuration |
| | Page 1 & 18 | Added PN-100 TQFP availability and ordering information |
| | Page 2 - 5 | Added date revision to pin configurations |
| | Page 7 | Added junction temperature to Absolute Maximum Ratings Table Added Ambient Temperature footnote |
| | Page 8, 10 & 18 | Added 6ns speed grade |
| | Page 8 | Added updated DC power numbers to the DC Electrical Characteristics Table |
| | Page 10 | Added 6ns speed AC timing numbers and changed to t_{OE} to be equal to t_{CD2} in the AC Electrical Characteristics Table |
| | Page 18 | Added IDT Clock Solution Table |
| | Page 1 & 19 | Removed "Preliminary" status |
| 01/10/06: | Page 1 | Added green availability to features |
| | Page 18 | Added green indicator to ordering information |
| 06/03/08: | Page 8, 10 & 18 | Designated 6ns speed grade available in PK-128 package only |
| 01/19/09: | Page 18 | Removed "IDT" from orderable part number |
| 07/26/10: | Page 10 | In order to correct the header notes of the AC Elect Chars Table and align them with the Industrial temperature values located in the table, the commercial TA header note has been removed |
| | Pages 11-14 | In order to correct the footnotes of timing diagrams, $\overline{\text{CNTEN}}$ has been removed to reconcile the footnotes with the $\overline{\text{CNTEN}}$ logic definition found in Truth Table II - Address Counter Control |
| 03/17/14: | Page 1, 8, 10 & 18 | Removed 6ns commercial grade speed from Features, DC & AC Electrical Chars tables |
| | Page 2 & 4 | The label PK-128-1 changed to PK128 in the Pin configurations and in the Ordering Information to accurately match the standard package code |
| | Page 3 & 5 | The label PN100-1 changed to PN100 in the Pin configurations and in the Ordering Information to accurately match the standard package code |
| | Page 9 | Corrected a typo |
| | Page 18 | Added Tape & Reel indicator to Ordering Information |
| 03/01/18: | | Product Discontinuation Notice - PDN# SP-17-02 Last time buy expires June 15, 2018 |
| 04/24/19: | | 70V9389 is obsolete 70V9289 is active |

IMPORTANT NOTICE AND DISCLAIMER

RENESAS ELECTRONICS CORPORATION AND ITS SUBSIDIARIES (“RENESAS”) PROVIDES TECHNICAL SPECIFICATIONS AND RELIABILITY DATA (INCLUDING DATASHEETS), DESIGN RESOURCES (INCLUDING REFERENCE DESIGNS), APPLICATION OR OTHER DESIGN ADVICE, WEB TOOLS, SAFETY INFORMATION, AND OTHER RESOURCES “AS IS” AND WITH ALL FAULTS, AND DISCLAIMS ALL WARRANTIES, EXPRESS OR IMPLIED, INCLUDING, WITHOUT LIMITATION, ANY IMPLIED WARRANTIES OF MERCHANTABILITY, FITNESS FOR A PARTICULAR PURPOSE, OR NON-INFRINGEMENT OF THIRD PARTY INTELLECTUAL PROPERTY RIGHTS.

These resources are intended for developers skilled in the art designing with Renesas products. You are solely responsible for (1) selecting the appropriate products for your application, (2) designing, validating, and testing your application, and (3) ensuring your application meets applicable standards, and any other safety, security, or other requirements. These resources are subject to change without notice. Renesas grants you permission to use these resources only for development of an application that uses Renesas products. Other reproduction or use of these resources is strictly prohibited. No license is granted to any other Renesas intellectual property or to any third party intellectual property. Renesas disclaims responsibility for, and you will fully indemnify Renesas and its representatives against, any claims, damages, costs, losses, or liabilities arising out of your use of these resources. Renesas' products are provided only subject to Renesas' Terms and Conditions of Sale or other applicable terms agreed to in writing. No use of any Renesas resources expands or otherwise alters any applicable warranties or warranty disclaimers for these products.

(Rev.1.0 Mar 2020)

Corporate Headquarters

TOYOSU FORESIA, 3-2-24 Toyosu,
Koto-ku, Tokyo 135-0061, Japan
www.renesas.com

Contact Information

For further information on a product, technology, the most up-to-date version of a document, or your nearest sales office, please visit:
www.renesas.com/contact/

Trademarks

Renesas and the Renesas logo are trademarks of Renesas Electronics Corporation. All trademarks and registered trademarks are the property of their respective owners.