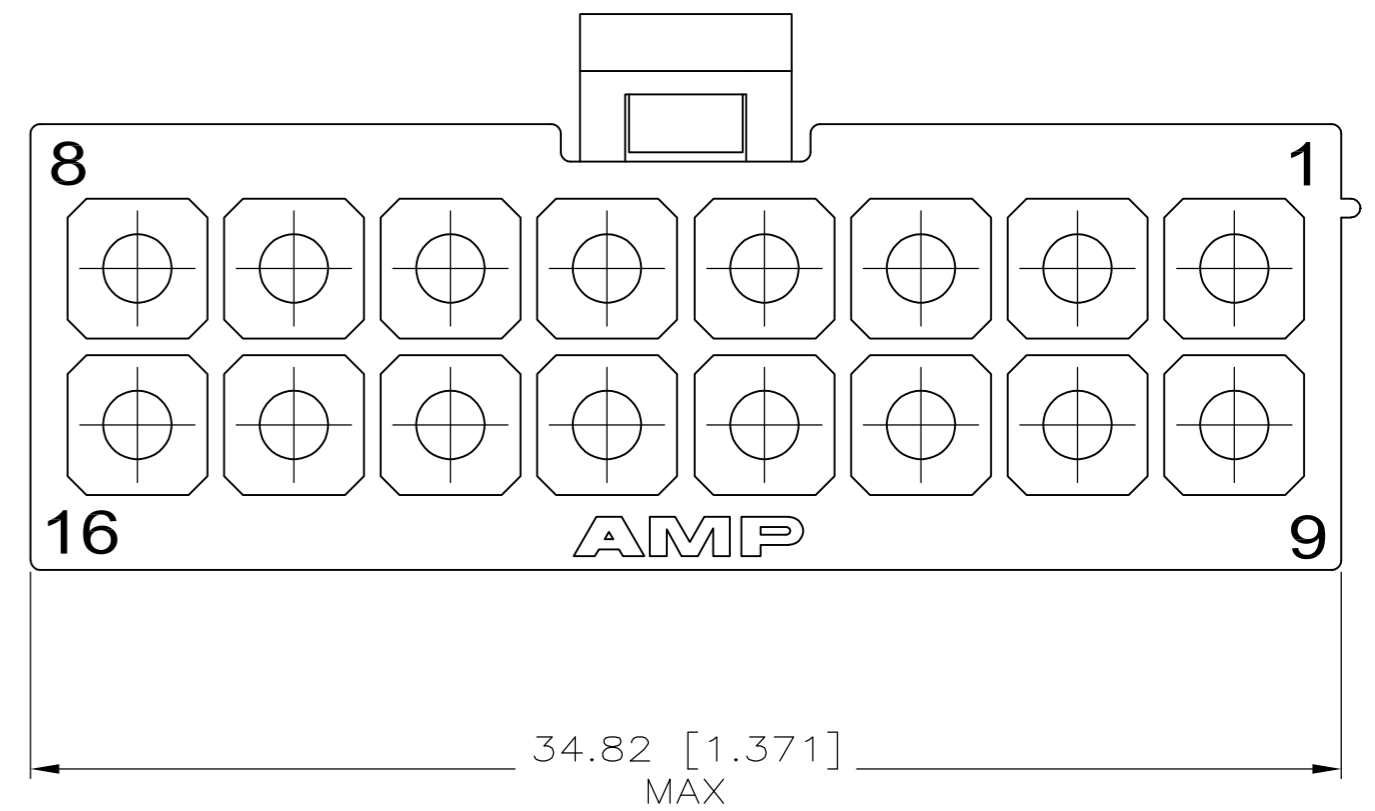
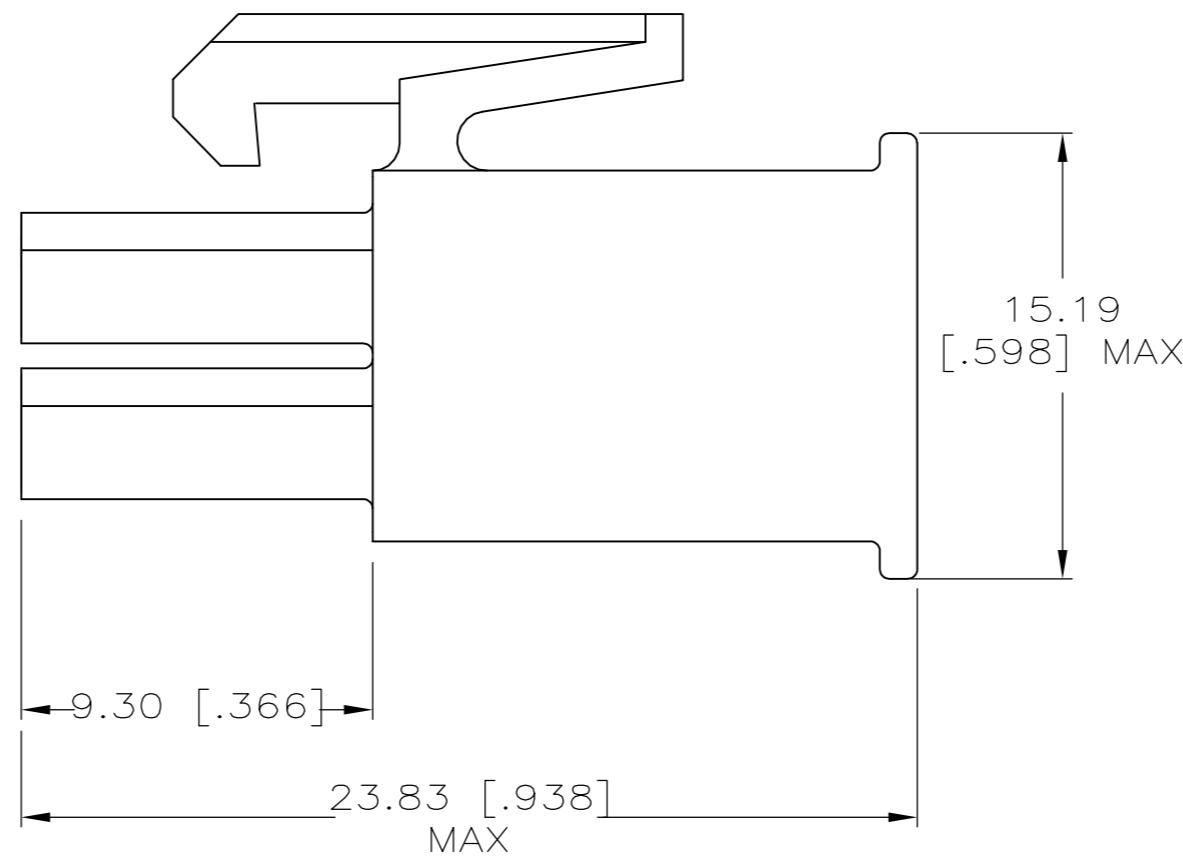
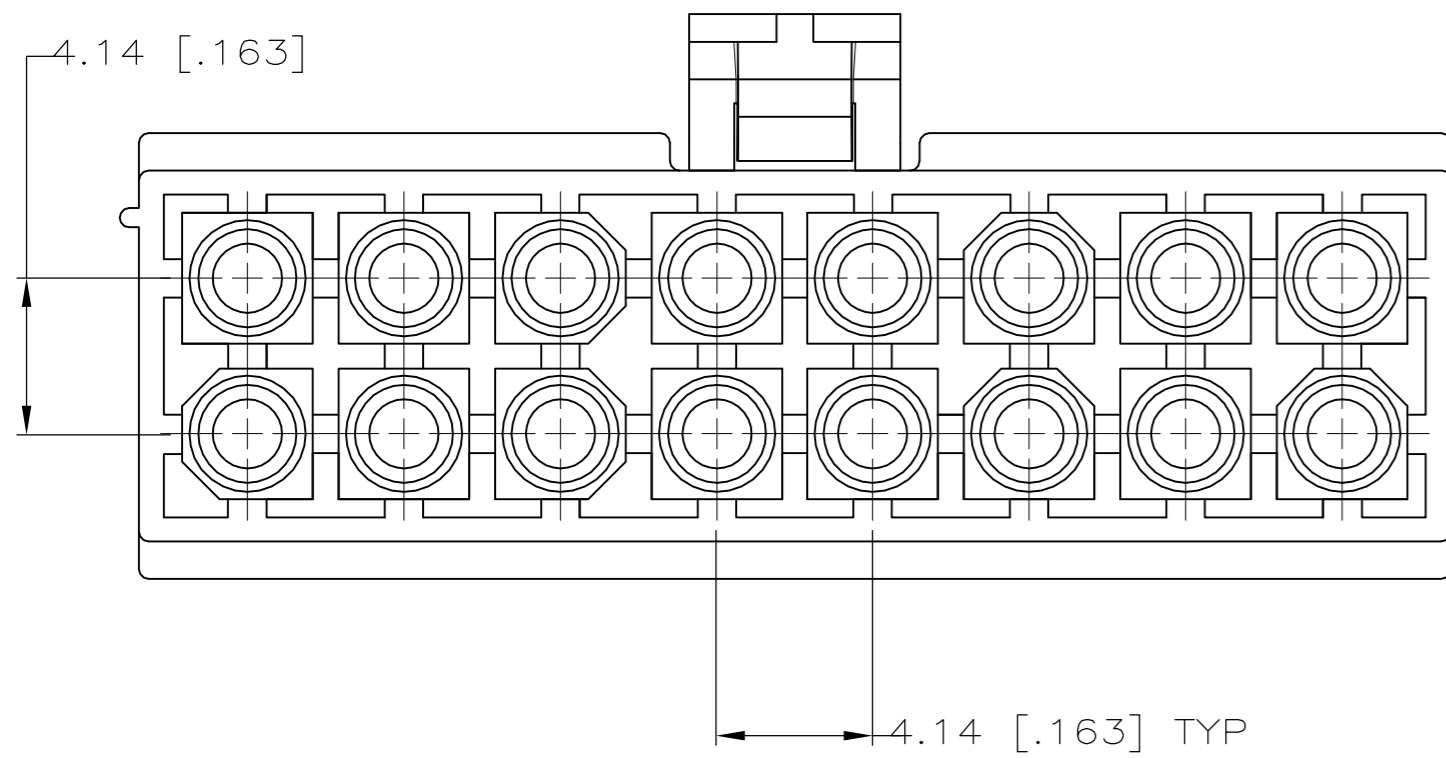


THIS DRAWING IS UNPUBLISHED. RELEASED FOR PUBLICATION
 © COPYRIGHT By - ALL RIGHTS RESERVED.

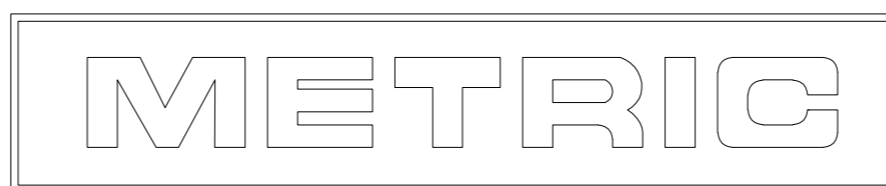
| LOC | | DIST | | REVISIONS | | | |
|-----|-----|-------------|--|---------------------------|---------|------|----|
| P | LTR | DESCRIPTION | | DATE | DWN | APVD | |
| CM | 00 | K | | REVISED PER ECR-15-001261 | 02MAR15 | SC | KD |

1. INDIVIDUAL CORING FEATURES AROUND BASES OF SILOS MAY NOT BE PRESENT IN ALL LOCATIONS SHOWN.



770583

770583-1
PART NUMBER



| | | | | | | | |
|--|---------------------|------------------|---|-------------|------------|---------------|--|
| THIS DRAWING IS A CONTROLLED DOCUMENT. | | DWN | S. HOOVER | 12-MAY-2004 | | | |
| DIMENSIONS: mm [INCHES] | | CHK | C. JONES | 12-MAY-2004 | | | |
| TOLERANCES UNLESS OTHERWISE SPECIFIED: | | APVD | C. JONES | 12-MAY-2004 | NAME | | |
| 0 PLC ± | 1 PLC ± | PRODUCT SPEC | PLUG, 16 CIRCUIT, MINI UNIVERSAL MATE-N-LOK™ | | | | |
| 2 PLC ± | 3 PLC ± 0.13 [.005] | APPLICATION SPEC | SIZE | CAGE CODE | DRAWING NO | RESTRICTED TO | |
| 4 PLC ± | ANGLES ± | WEIGHT | A2 | 00779 | C=770583 | | |
| MATERIAL NYLON, UL 94V-0 WHITE | FINISH | CUSTOMER DRAWING | SCALE | 5:1 | SHEET | 1 OF 1 | |
| | | | | | REV | K | |