

CR Series Round Single Pole Specialty Rocker Switches

Features/Benefits

- Round actuator and body
- Nice styling
- Multiple illuminated versions available
- IP65 splash proof rubber boot option

Typical Applications

- Appliances, small and large
- Office equipment
- Computers and peripherals
- Audio/Video equipment
- RoHS compliant



UL US UL 61058-1

Specifications

CONTACT RATING:

16 AMPS @ 125 VAC, 10 AMPS @ 250 VAC.

16 AMPS @ 125 VAC, 10 AMPS @ 250 VAC.

ELECTRICAL LIFE: 10,000 make and break cycles at full load.

INSULATION RESISTANCE: $10^8 \Omega$ min.

DIELECTRIC STRENGTH: 1,500 VRMS @ sea level.

OPERATING TEMPERATURE: -20°C to + 85°C

Materials

HOUSING AND ACTUATOR: 6/6 nylon (UL94V-2), matte finish.

ILLUMINATED ACTUATOR: Polycarbonate, matte finish.

CENTER CONTACTS: Silver plated, copper alloy.

END CONTACTS: Silver plated AgSnO₂InO₃.

ALL TERMINALS: Silver plated, copper alloy.

NOTE: Specifications and materials listed above are for switches with standard options. For information on specific and custom switches, consult Customer Service Center.

Build-A-Switch

To order, simply select desired option from each category and place in the appropriate box. Available options are shown and described on pages G-78 through G-80. For additional options not shown in catalog, consult Customer Service Center.

| | | | | | | | |
|--|--|--|--|--|--|--|--|
| | | | | | | | |
| Switch Function | | | | | | | |
| CR101 SPDT On-None-On | | | | | | | |
| CR102 SPST On-None-Off | | | | | | | |
| Actuator | | | | | | | |
| J1 Rocker | | | | | | | |
| J2* Two-tone rocker | | | | | | | |
| J3 Illuminated rocker | | | | | | | |
| J4** Circle, illuminated rocker | | | | | | | |
| J5 Oval, illuminated rocker | | | | | | | |
| JN Paddle, rocker | | | | | | | |
| JP Paddle, illuminated rocker | | | | | | | |
| Actuator Color | | | | | | | |
| 2 Black | | | | | | | |
| 1 White | | | | | | | |
| 3 Red | | | | | | | |
| R Red, illuminated | | | | | | | |
| A Amber, illuminated | | | | | | | |
| G Green, illuminated | | | | | | | |
| Mounting Style/Color | | | | | | | |
| S2 Snap-in, black | | | | | | | |
| S1 Snap-in, white | | | | | | | |
| Termination | | | | | | | |
| 15 .187" quick connect | | | | | | | |
| Contact Rating | | | | | | | |
| QF Silver | | | | | | | |
| Lamp Rating | | | | | | | |
| (NONE) No lamp | | | | | | | |
| 6 LED | | | | | | | |
| 7 125 VAC neon | | | | | | | |
| 8 250 VAC neon | | | | | | | |

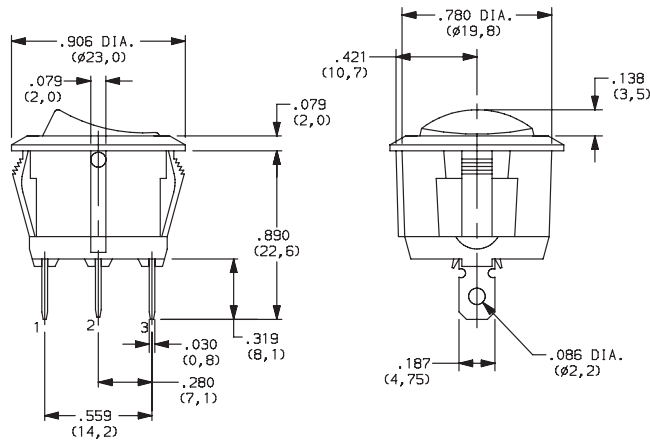
* Refer to table on page G-79 for actuator options.

CR Series Round Single Pole Specialty Rocker Switches

SWITCH FUNCTION



| NO. POLES | MODEL NO. | SWITCH FUNCTION | | | CONNECTED TERMINALS | | | SCHEMATIC |
|-----------|--------------|-----------------|--------|--------|---------------------|--------|--------|--|
| | | Pos. 1 | Pos. 2 | Pos. 3 | Pos. 1 | Pos. 2 | Pos. 3 | |
| | | | | | | | | |
| SP | CR101 | ON | NONE | ON | 2-3 | | 2-1 | |
| | CR102 | ON | NONE | OFF | | N/A | | OR For 7 & 8 Illuminated Versions |

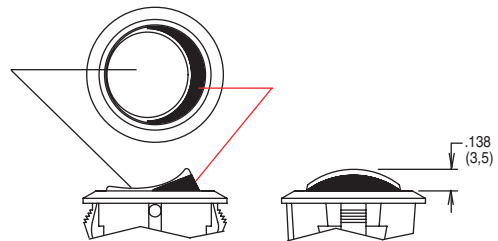
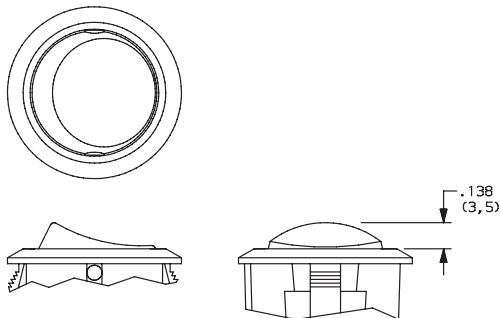


ACTUATOR

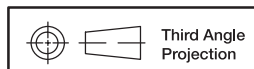


- J1** ROCKER
- J3** ILLUMINATED ROCKER

- J2** TWO-TONE ROCKER



NOTE: J3 actuator available with the combination of 7 & 8 lamp ratings and CR102 switch function only.



Dimensions are shown: Inches (mm)
Specifications and dimensions subject to change

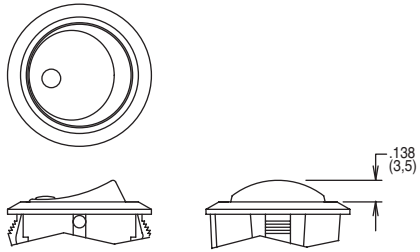


Round Single Pole Specialty Rocker Switches

ACTUATOR

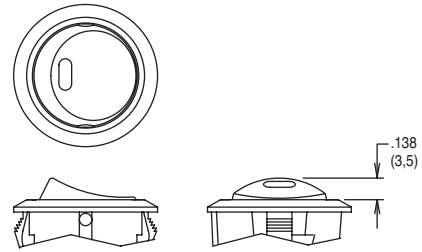


J4 CIRCLE, ILLUMINATED ROCKER



NOTE: Available with the combination of CR102 switch function and 7 & 8 lamp ratings only.

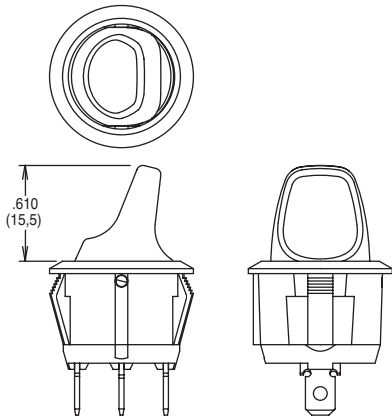
J5 OVAL, ILLUMINATED ROCKER



NOTE: Available with the combination of CR102 switch function and 6 lamp rating only.

JN PADDLE, ROCKER

JP PADDLE, ILLUMINATED ROCKER



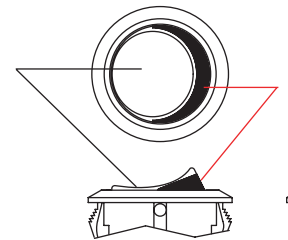
NOTE: JP actuator available with the combination of CR102 switch function and 7 & 8 lamp ratings only.

ACTUATOR COLOR



| ACTUATOR | OPTION CODE | ACTUATOR COLOR |
|-----------------------|-------------|--------------------|
| J1 | 2 | BLACK |
| | 1 | WHITE |
| | 3 | RED |
| J3, J4, J5, JP | R | RED, ILLUMINATED |
| | A | AMBER, ILLUMINATED |
| | G | GREEN, ILLUMINATED |

| ACTUATOR | OPTION CODE | ACTUATOR COLOR | |
|-----------|-------------|----------------|--------|
| | | TOP | BOTTOM |
| J2 | 1 | WHITE | RED |
| | 2 | WHITE | BLACK |
| | 3 | RED | WHITE |
| | 4 | BLACK | WHITE |
| | 5 | BLACK | RED |



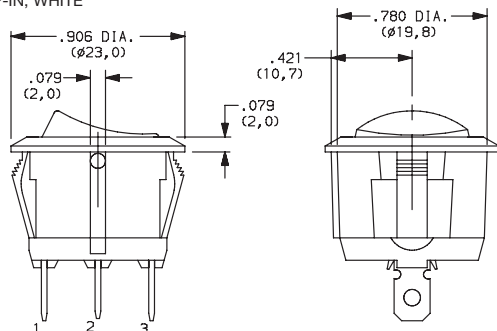
J2 actuator only

MOUNTING STYLE/COLOR

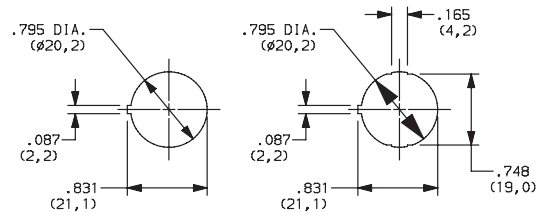


S2 SNAP-IN, BLACK

S1 SNAP-IN, WHITE



PANEL MOUNTING



Panel thickness:
2.0 - 3.0 mm

Panel thickness:
0.7 - 3.0 mm



Dimensions are shown: Inches (mm)

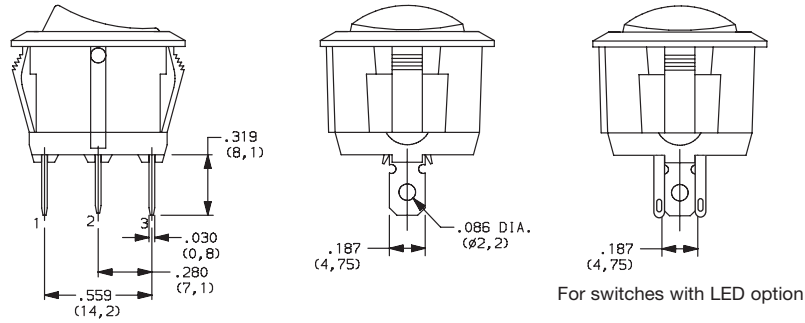
Specifications and dimensions subject to change

CR Series Round Single Pole Specialty Rocker Switches

TERMINATION



15 .187" QUICK CONNECT



CONTACT MATERIAL



| OPTION CODE | CONTACT AND TERMINAL MATERIAL | RATINGS | |
|-------------|-------------------------------|-----------|--------|
| | | QF | SILVER |

* Note: See Technical Data section of this catalog for RoHS compliant and compatible definitions and specifications.

LAMP RATING



(NONE) NO LAMP

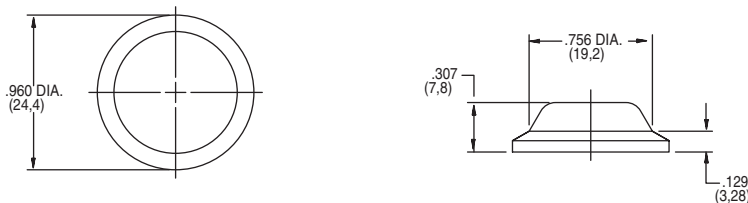
6 LED RATING @ 10 mA $V_f=1.85V$

7 125 VAC 33kΩ NEON

8 250 VAC 150kΩ NEON

ACCESSORIES

377C00000 IP65 SPLASH PROOF RUBBER BOOT



Dimensions are shown: Inches (mm)
Specifications and dimensions subject to change

